



US00D815444S

(12) **United States Design Patent** (10) **Patent No.:** **US D815,444 S**
Velez (45) **Date of Patent:** **** Apr. 17, 2018**

(54) **CHAIR**
(71) Applicant: **Holly Hunt Enterprises, Inc.**, Chicago, IL (US)
(72) Inventor: **Alberto Velez**, Chicago, IL (US)
(73) Assignee: **Holly Hunt Enterprises, Inc.**, Chicago, IL (US)
(**) Term: **15 Years**

D296,849 S * 7/1988 Cronk D6/361
4,846,525 A * 7/1989 Manning A47C 1/14
222/175
D316,490 S * 4/1991 Martin D6/361
D326,584 S * 6/1992 van de Ven D6/361
D344,415 S * 2/1994 Gibbs D6/361
D443,148 S * 6/2001 Vertongen D6/361
D540,552 S * 4/2007 Good D6/361
D565,851 S * 4/2008 Mann D6/361
D620,271 S * 7/2010 Vallet D6/361
D707,049 S * 6/2014 Asner D6/361

(Continued)

(21) Appl. No.: **29/574,019**
(22) Filed: **Aug. 11, 2016**
(51) **LOC (11) Cl.** **06-01**
(52) **U.S. Cl.**
USPC **D6/361**
(58) **Field of Classification Search**
USPC D6/380, 381, 334, 333, 344, 348,
D6/360-366, 374, 377, 369-371, 708,
D6/716; D12/52; D21/521, 534-539,
D21/674, 676, 687, 688, 690, 828;
D11/184; D23/292; D30/119
CPC A47C 1/02; A47C 1/14; A47C 1/16; A47C
1/143; A47C 1/146; A47C 1/0342; A47C
3/00; A47C 3/04; A47C 3/14; A47C 3/16;
A47C 3/18; A47C 4/00; A47C 4/04;
A47C 4/24; A47C 4/50; A47C 4/54;
A47C 5/04; A47C 5/12; A47C 7/021;
A47C 7/18; A47C 7/54; A47C 7/62;
A47C 7/70; A47C 7/506; A47C 7/744;
A47C 15/008; A47C 17/045; A47C
27/086; A47C 31/11; A47C 31/113; A47D
1/00; A47D 1/10; B65B 31/04
See application file for complete search history.

Primary Examiner — Kevin K Rudzinski
Assistant Examiner — Paul D Bohannon
(74) Attorney, Agent, or Firm — Blank Rome LLP

(57) **CLAIM**

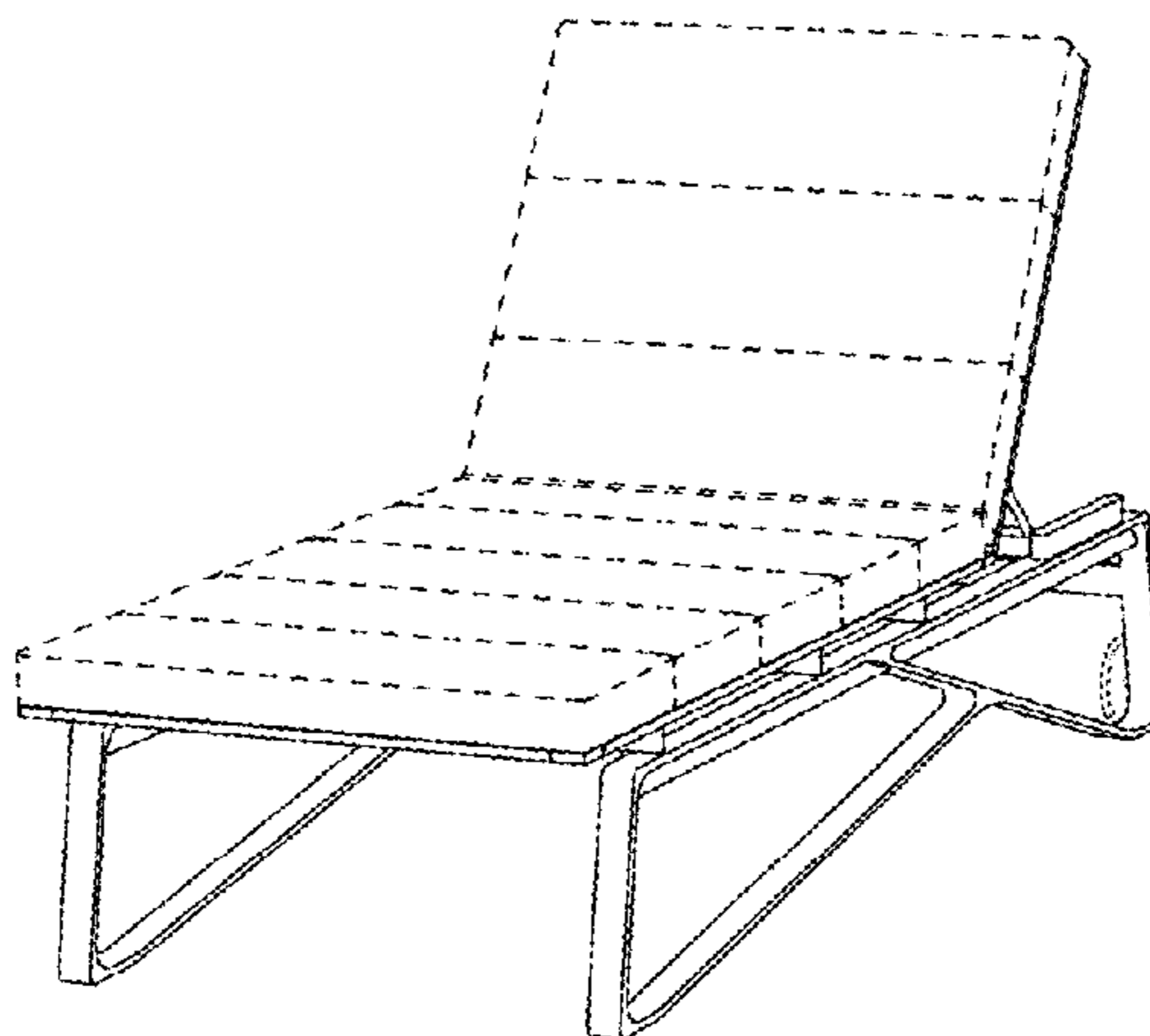
The ornamental design for a chair, as shown and described.

DESCRIPTION

FIG. 1 is a front perspective view of a chair in accordance with the present design;
FIG. 2 is a rear perspective view of the chair illustrated in FIG. 1;
FIG. 3 is an exploded view of the chair illustrated in FIG. 1;
FIG. 4 is a front view of the chair illustrated in FIG. 1;
FIG. 5 is a rear view of the chair illustrated in FIG. 1;
FIG. 6 is a left side view of the chair illustrated in FIG. 1;
FIG. 7 is a right side view of the chair illustrated in FIG. 1;
FIG. 8 is a top plan view of the chair illustrated in FIG. 1;
and,
FIG. 9 is a bottom plan view of the chair illustrated in FIG. 1.
The broken lines in the figures show environmental structure and form no part of the claimed design.

1 Claim, 6 Drawing Sheets

(56) **References Cited**
U.S. PATENT DOCUMENTS
1,371,209 A * 3/1921 Malone A47C 1/026
297/370
1,377,605 A * 5/1921 Starks A47C 17/207
297/284.11



(56)

References Cited

U.S. PATENT DOCUMENTS

| | | | |
|-------------------|--------|---------------|-------------|
| D707,458 S * | 6/2014 | Doyle | D6/361 |
| 2010/0001565 A1 * | 1/2010 | Gray | A47C 31/11 |
| | | | 297/229 |
| 2011/0049957 A1 * | 3/2011 | Luwisch | A47C 1/0244 |
| | | | 297/377 |
| 2012/0223549 A1 * | 9/2012 | Broyles | A47C 7/744 |
| | | | 297/180.15 |

* cited by examiner

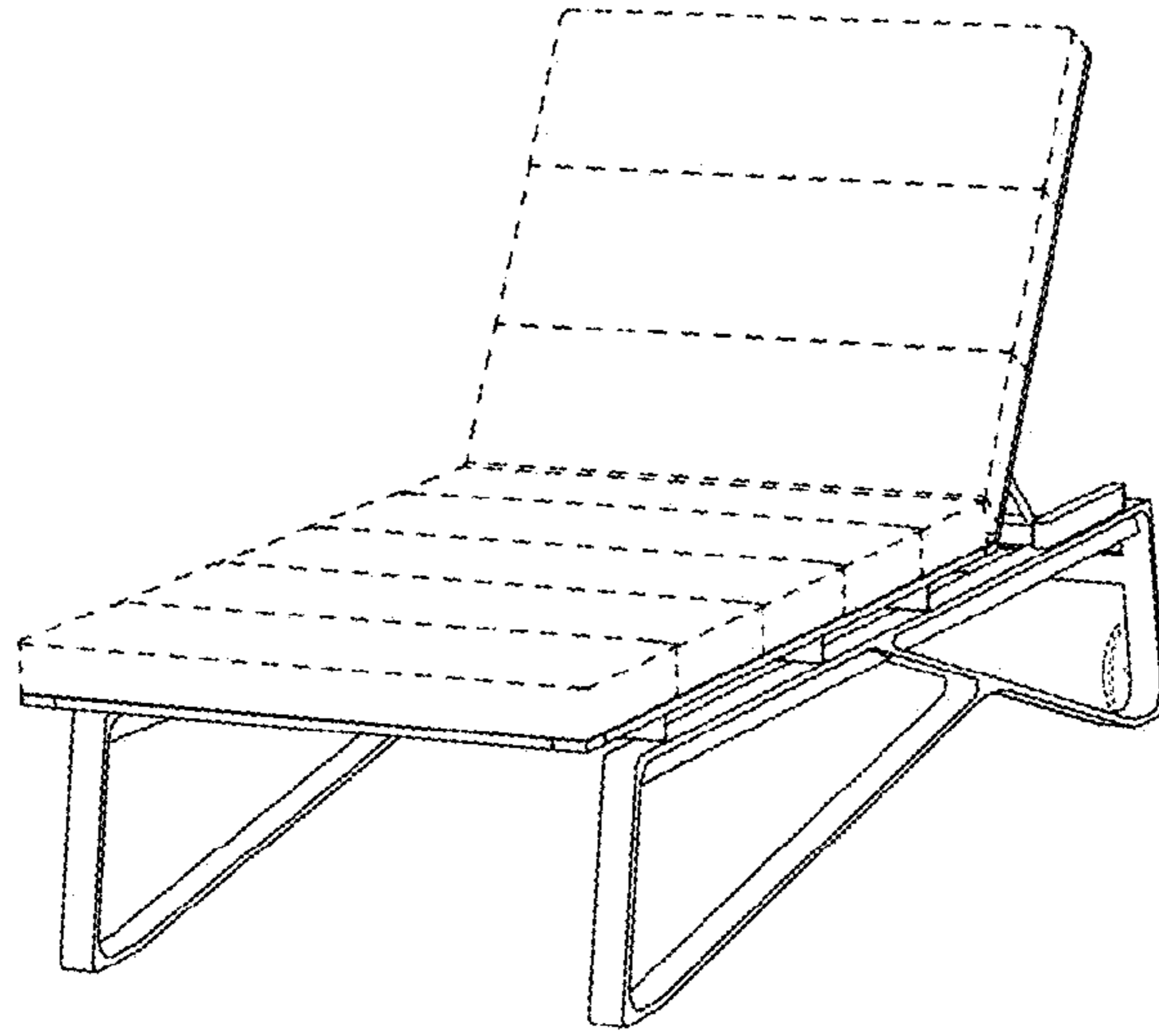


FIG. 1

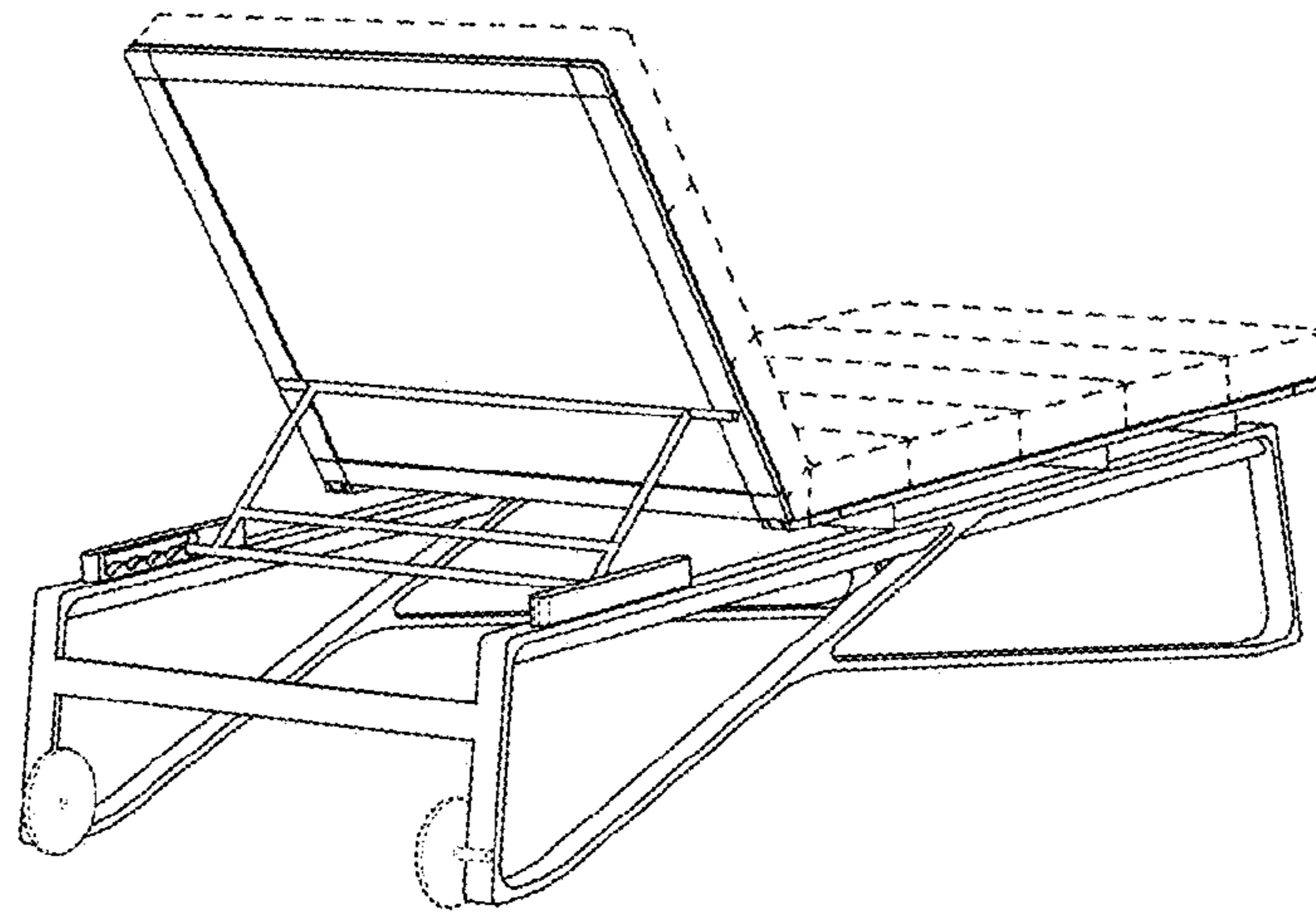


FIG. 2

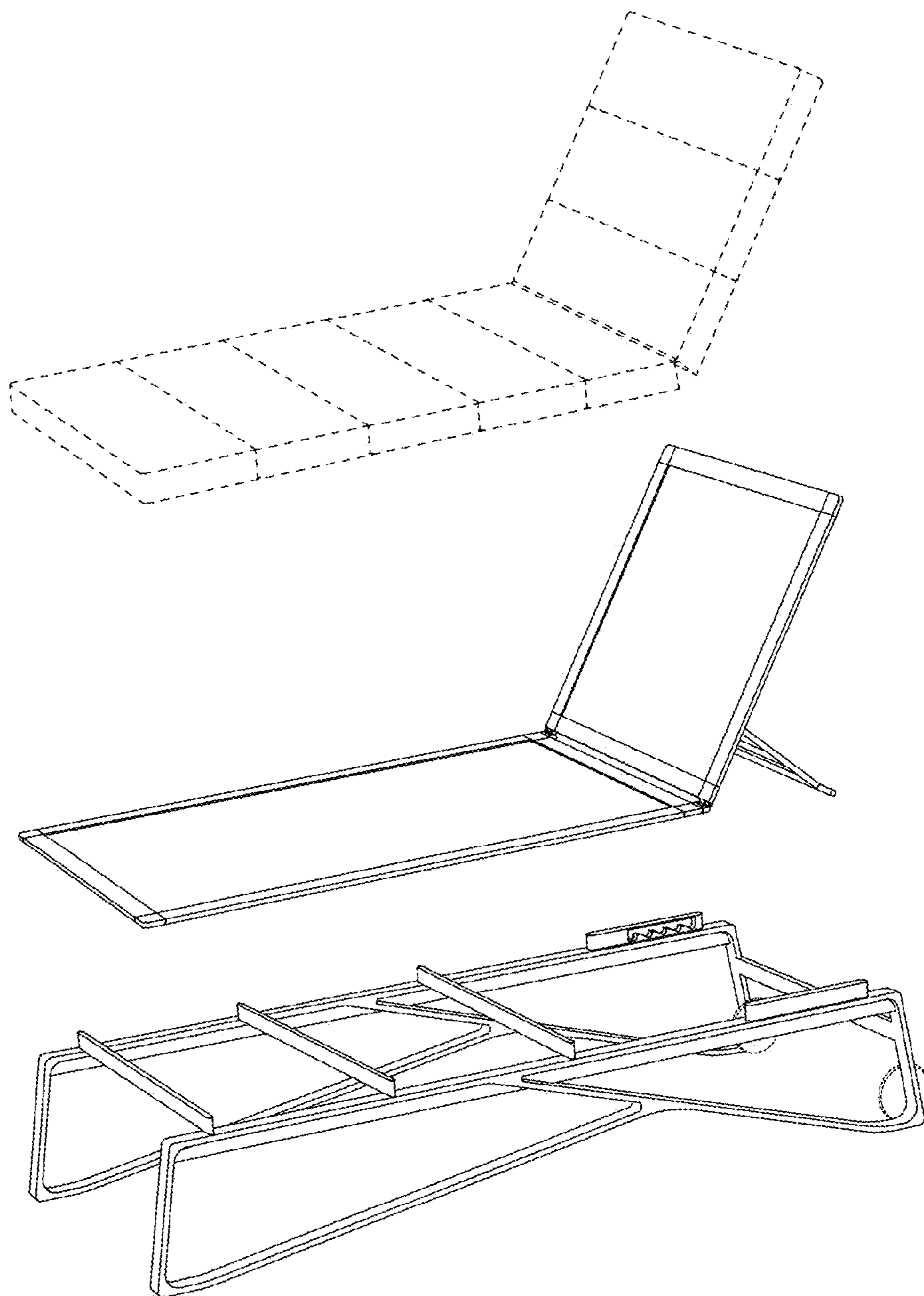


FIG. 3

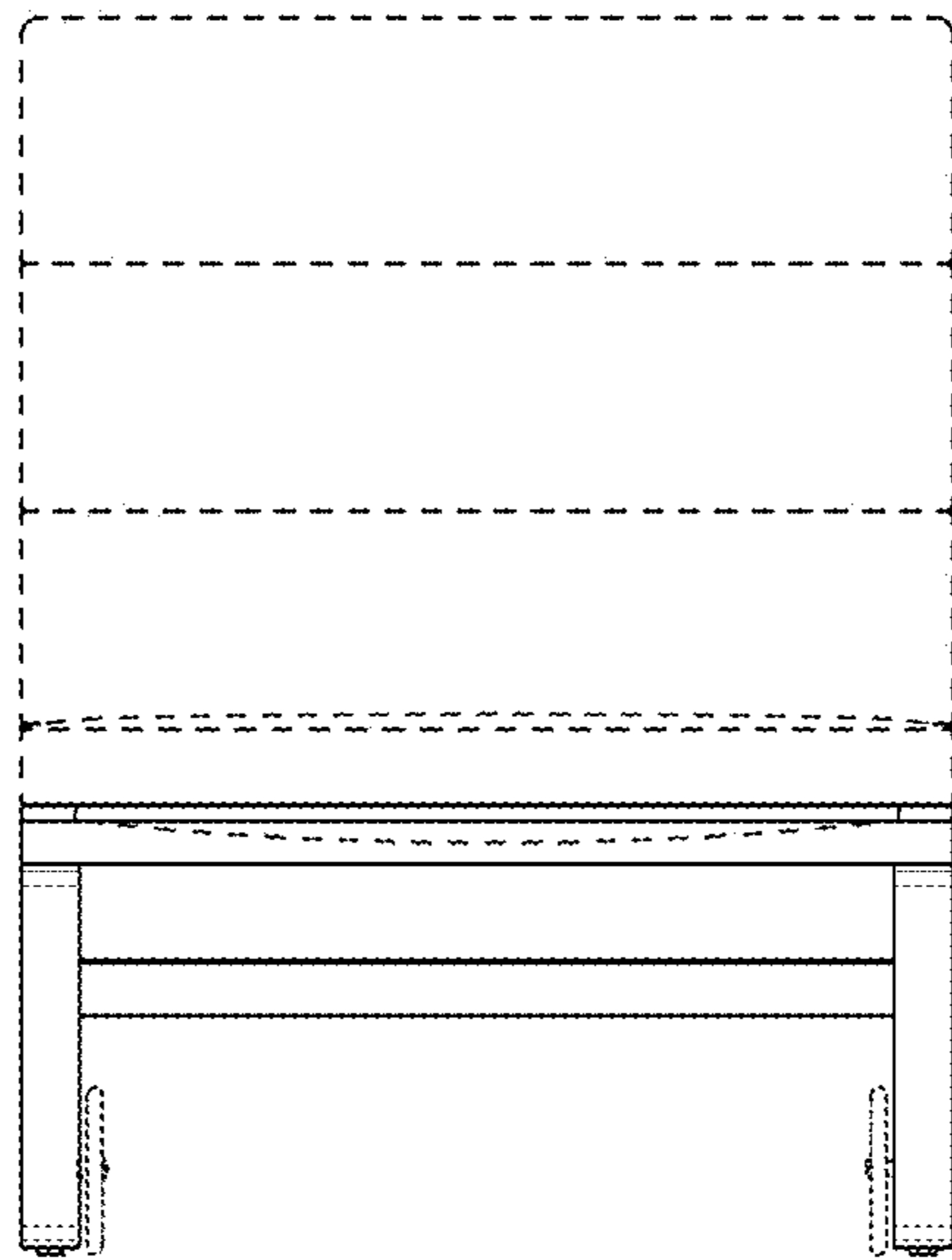


FIG. 4

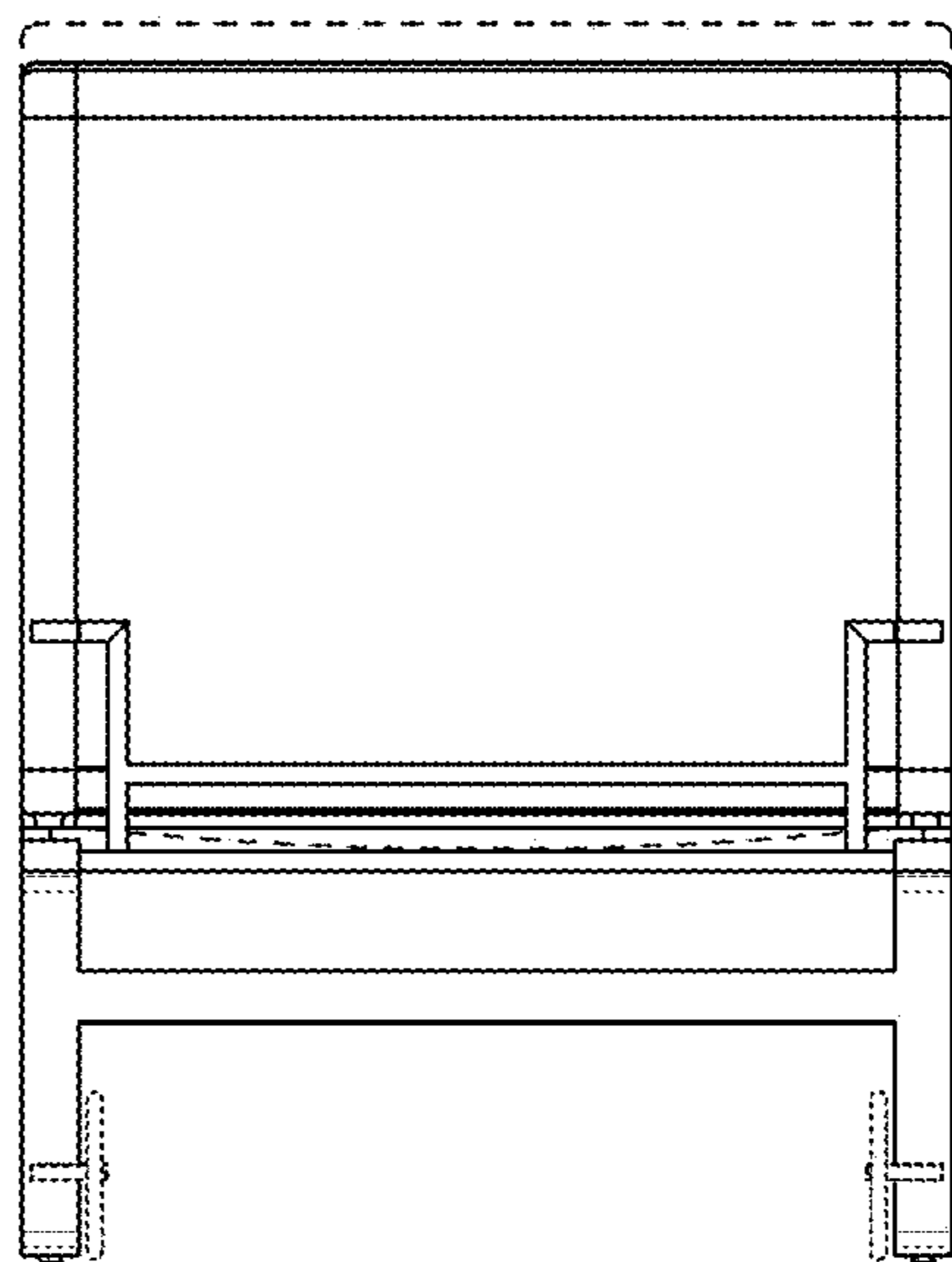


FIG. 5

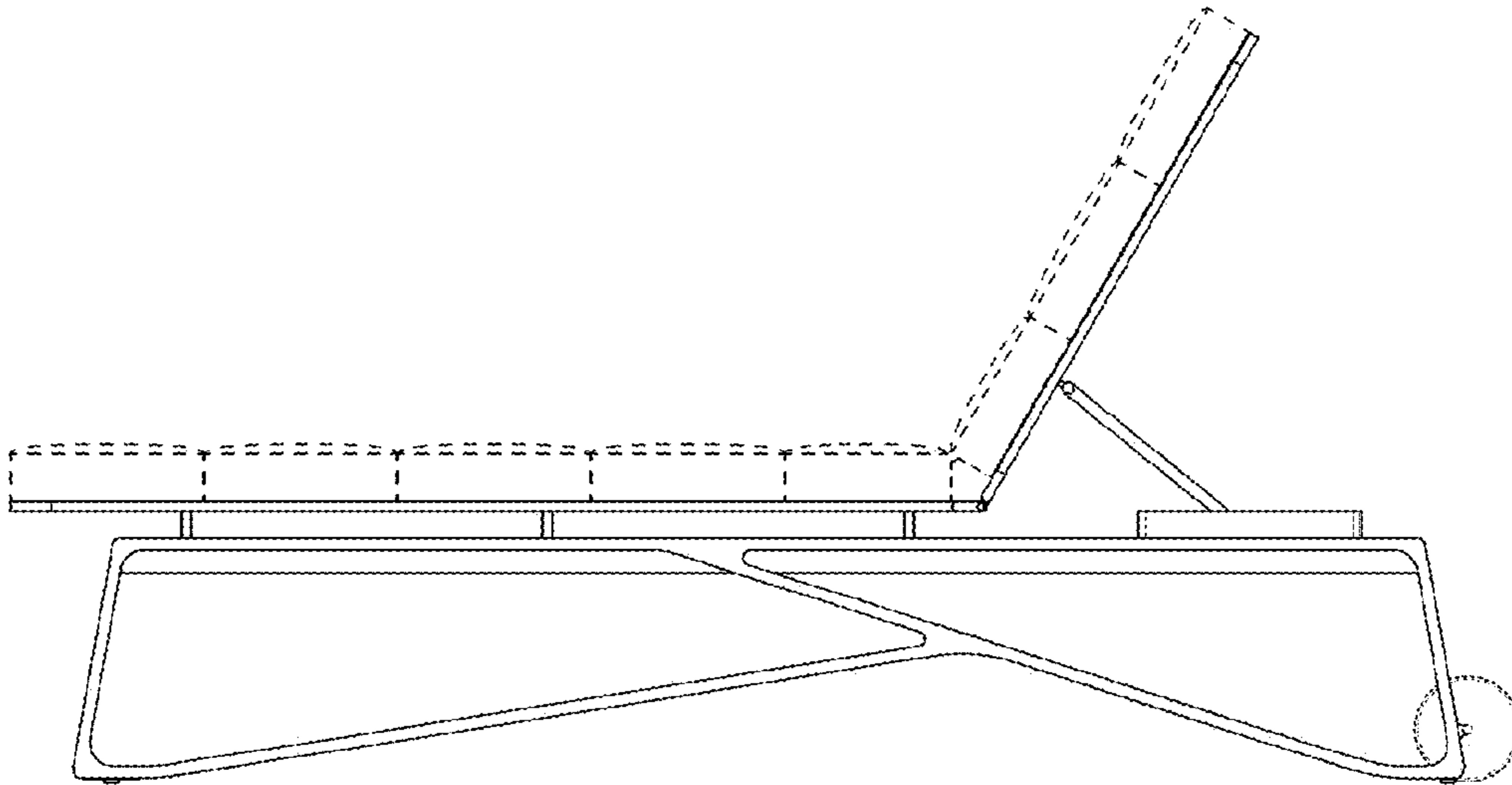


FIG. 6

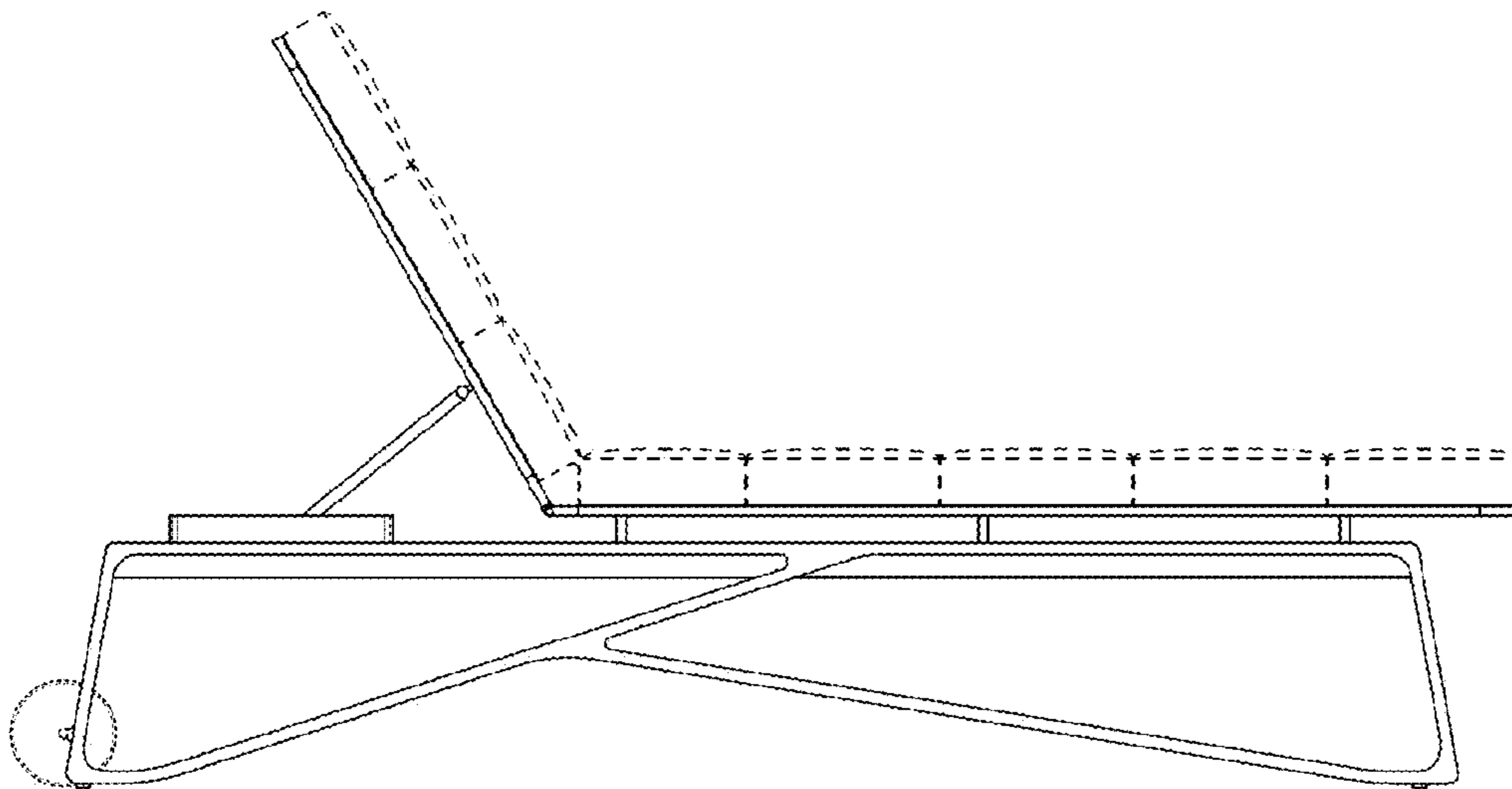


FIG. 7

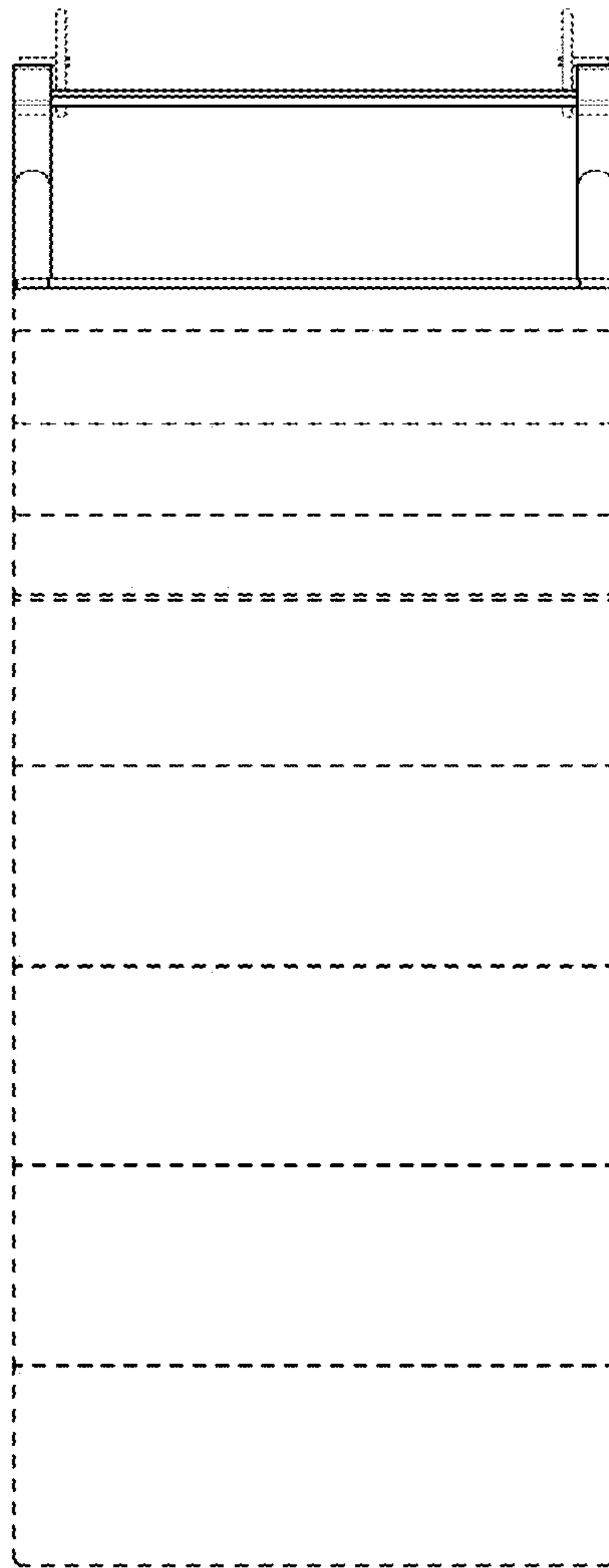


FIG. 8

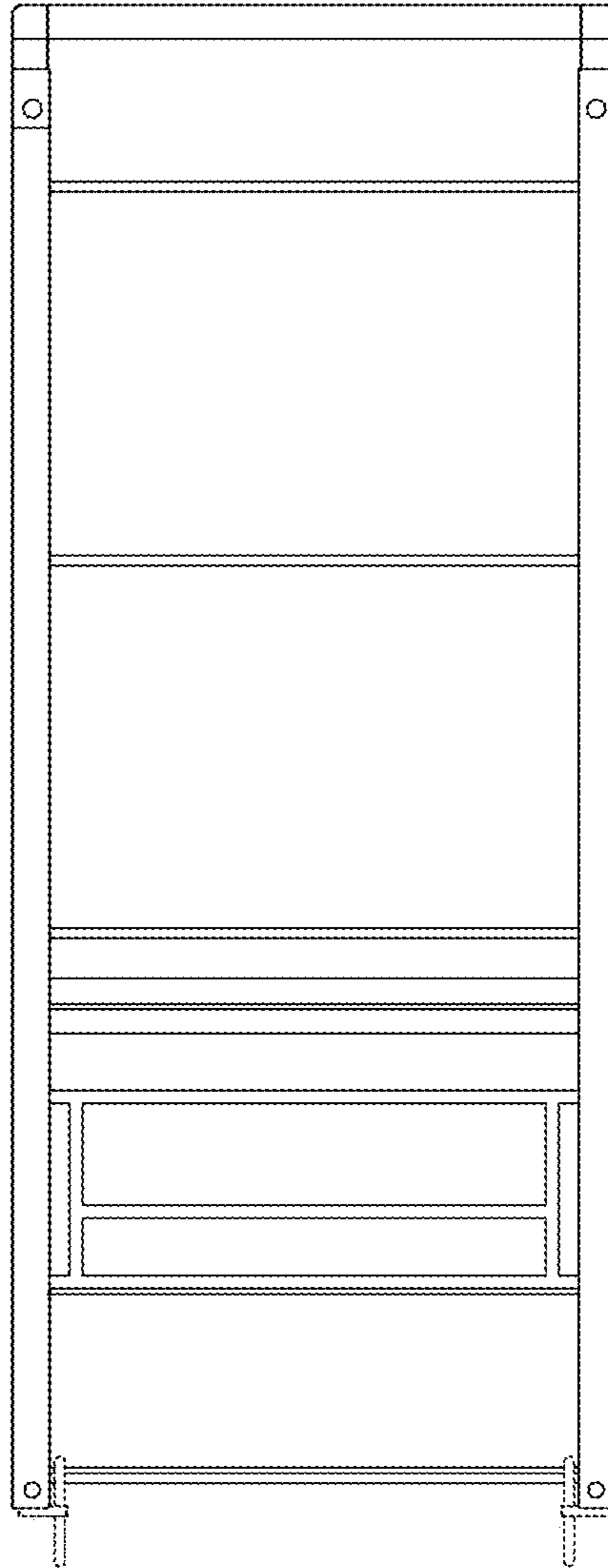


FIG. 9