



US00D815442S

(12) **United States Design Patent**
Harmon

(10) **Patent No.:** **US D815,442 S**
(45) **Date of Patent:** **** Apr. 17, 2018**

- (54) **UTILITY BENCH**
- (71) Applicant: **Christopher LeVar Harmon**, Decatur, GA (US)
- (72) Inventor: **Christopher LeVar Harmon**, Decatur, GA (US)
- (**) Term: **15 Years**
- (21) Appl. No.: **29/565,101**
- (22) Filed: **May 18, 2016**
- (51) **LOC (11) Cl.** **06-01**
- (52) **U.S. Cl.**
USPC **D6/349**
- (58) **Field of Classification Search**
USPC D6/334, 349–355, 358, 360–368, D6/371–374, 403, 405, 601, 657, 675.4, D6/685, 688.17, 690, 691–691.9, D6/692–692.6, 693–693.3, 695, 708, D6/708.15–708.25, 709.11, 336, 675, D6/675.1, 683.1, 684; D25/62–65
CPC A47C 9/00–9/105; A47C 7/00–7/02; A47C 16/00–16/04; A47C 11/00; A47C 3/18; A47C 3/20; A47C 12/00; A47C 13/00
See application file for complete search history.

- D608,558 S * 1/2010 Rush D6/367
- 7,658,442 B1 * 2/2010 Whiteside A47C 7/62
297/188.01
- 7,661,685 B2 * 2/2010 Thibault B25H 3/00
280/47.35
- 8,844,947 B1 * 9/2014 Whiteside B25H 5/00
280/32.6
- 8,973,926 B1 * 3/2015 Lensing A47C 9/027
280/32.5
- D750,391 S * 3/2016 Lensing D6/336
- 9,687,080 B1 * 6/2017 Thiel A47C 9/10
- 2003/0168899 A1 * 9/2003 Voyce, IV A47C 9/005
297/423.11
- 2008/0224521 A1 * 9/2008 Topping A61G 15/005
297/338

(Continued)

OTHER PUBLICATIONS

Garage Work Seat Mechanic Creeper. [online] Retrieved Aug. 14, 2017 from URL: <http://www.openbor.net/detail/71171/garage-work-seat-mechanic-creeper-repair-stool-adjustable-swivel.html>.*

(Continued)

Primary Examiner — Vy N Koenig
(74) *Attorney, Agent, or Firm* — Walter A. Rodgers

(57) **CLAIM**

The ornamental design for a utility bench, as shown and described.

DESCRIPTION

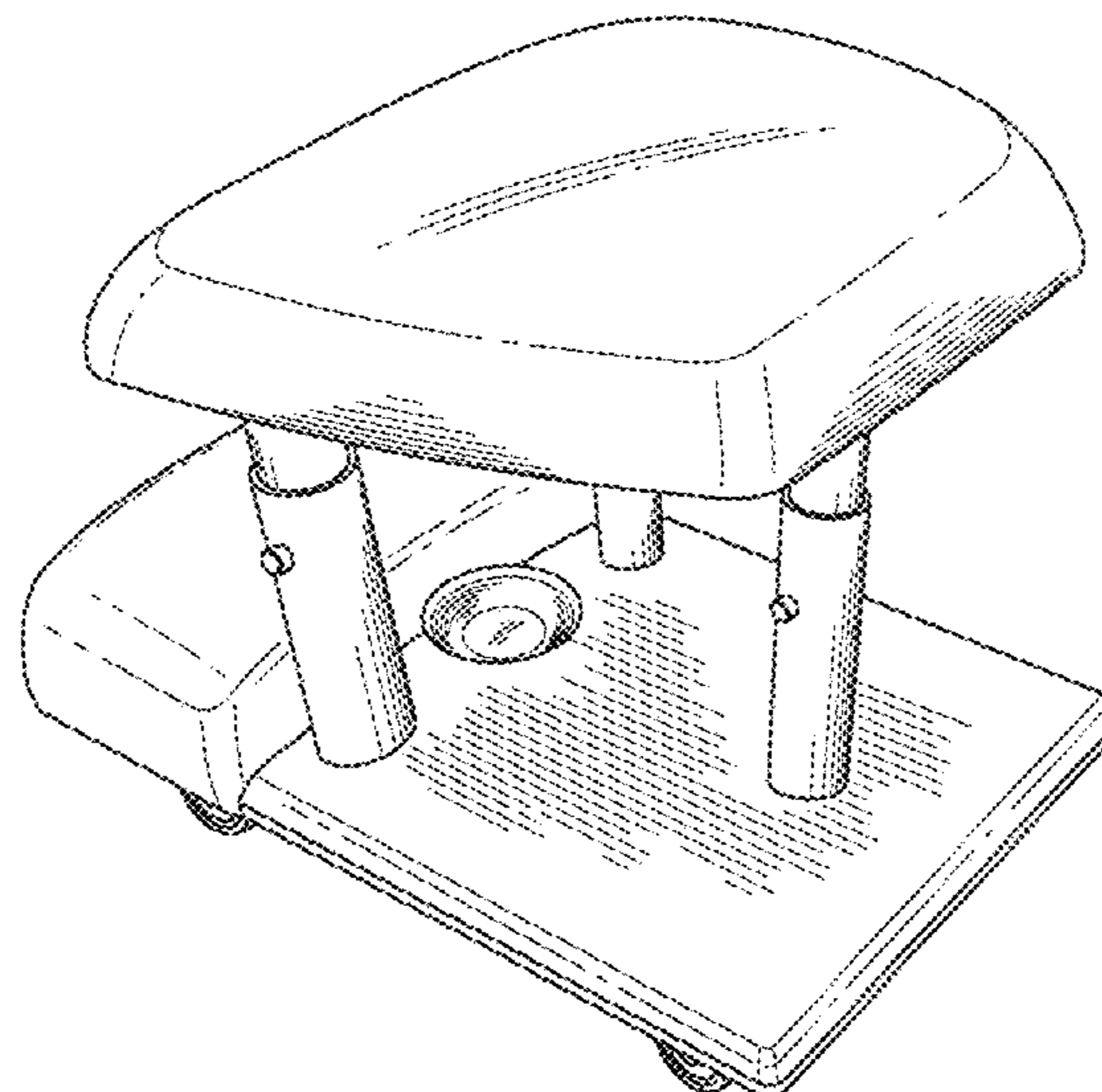
FIG. 1 is a perspective view of a utility bench showing my new design;
FIG. 2 is a left-side elevational view thereof;
FIG. 3 is a right-side elevational view thereof;
FIG. 4 is a rear elevational view thereof;
FIG. 5 is a front elevational view thereof;
FIG. 6 is a top plan view thereof; and,
FIG. 7 is a bottom plan view thereof.

1 Claim, 4 Drawing Sheets

(56) **References Cited**

U.S. PATENT DOCUMENTS

- 718,875 A * 1/1903 Pettersen A47C 9/027
182/129
- 3,976,155 A * 8/1976 Esch E04F 21/22
182/116
- 4,285,488 A * 8/1981 Hancock A47C 3/18
248/405
- 6,010,187 A * 1/2000 Dallas A47C 7/62
108/94
- 6,733,073 B2 * 5/2004 Whiteside A47C 7/62
211/119.07
- D522,261 S * 6/2006 Whiteside D6/349



(56)

References Cited

U.S. PATENT DOCUMENTS

2012/0038122 A1* 2/2012 Canova A47C 3/36
280/32.6
2017/0099954 A1* 4/2017 Chao A47C 9/027

OTHER PUBLICATIONS

Mechanic Creeper Seat Rolling. [online] Retrieved Aug. 14, 2017
from URL: <http://www.openbor.net/detail/71164/mechanic-creeper-seat-rolling-stool-shop-auto-car-garage-work.html>.*

* cited by examiner

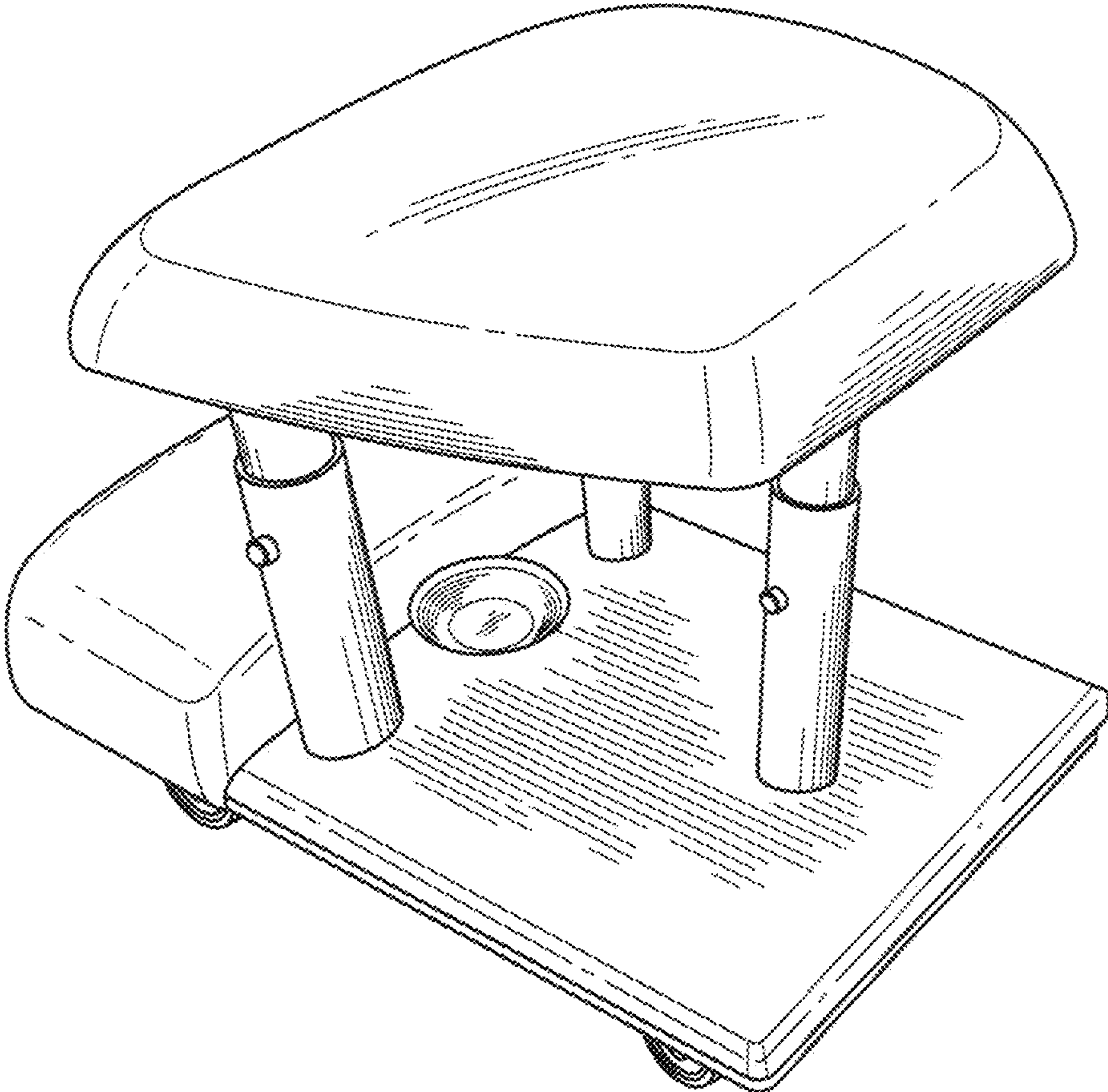


FIG. 1

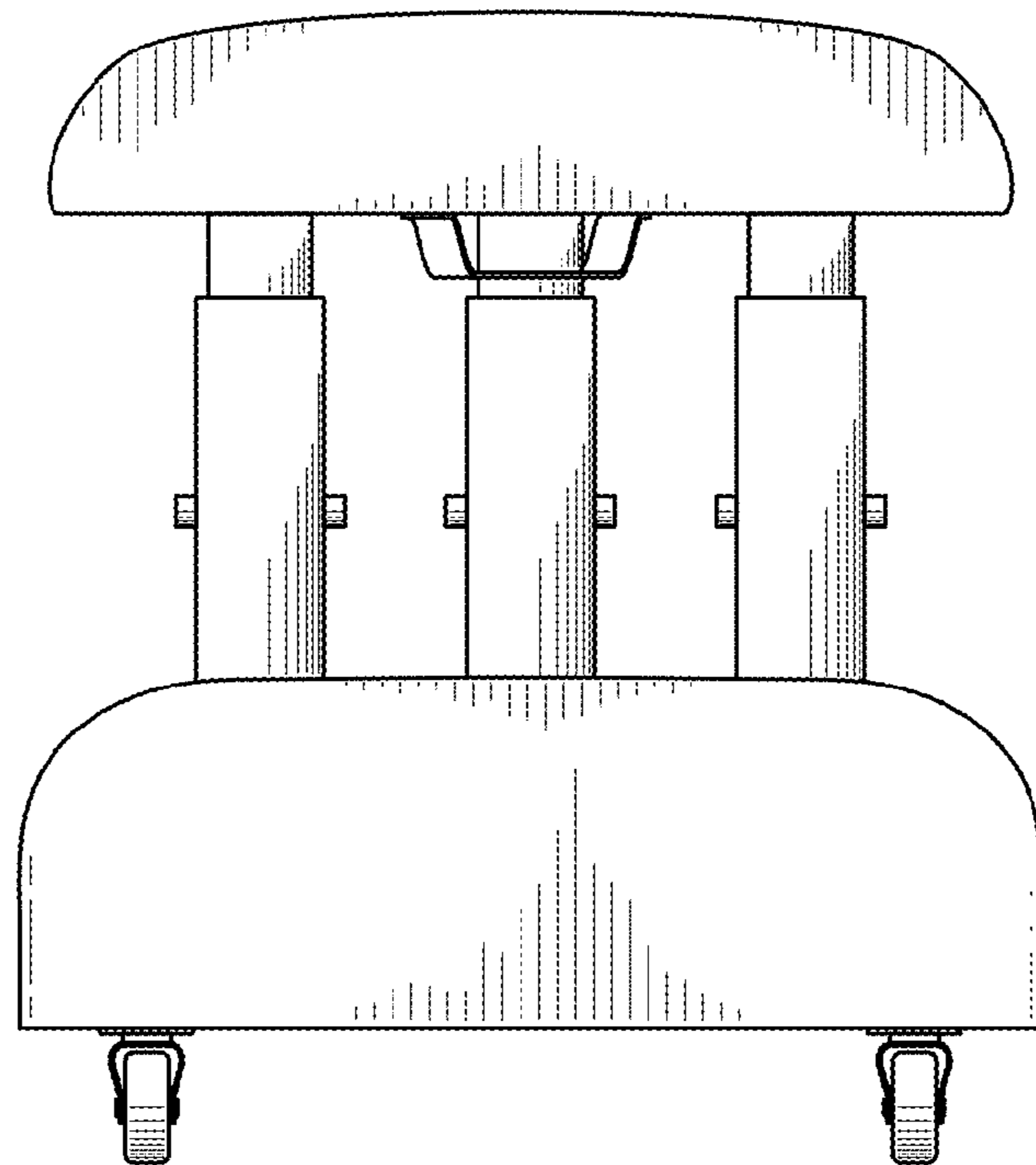


FIG. 2

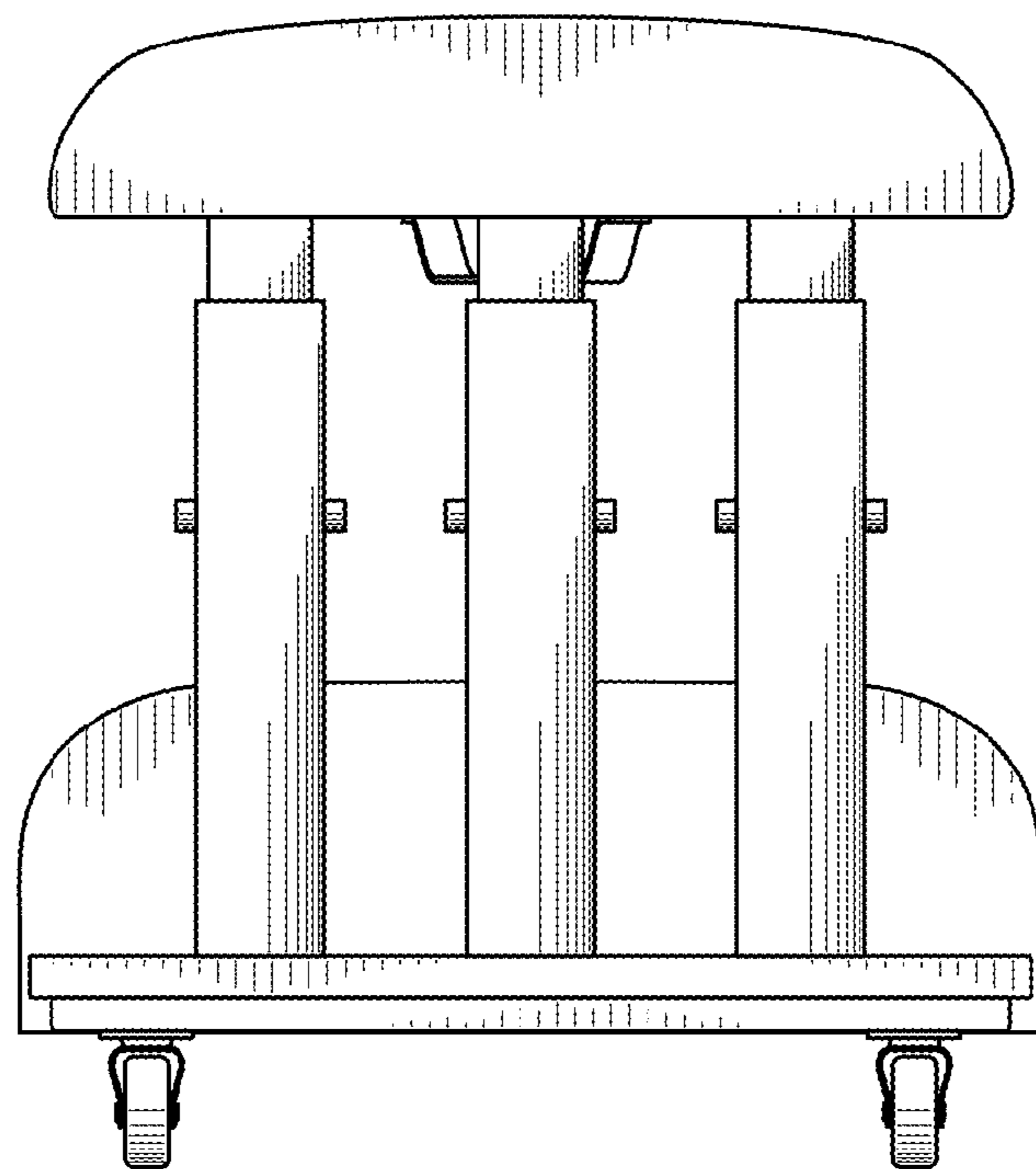


FIG. 3

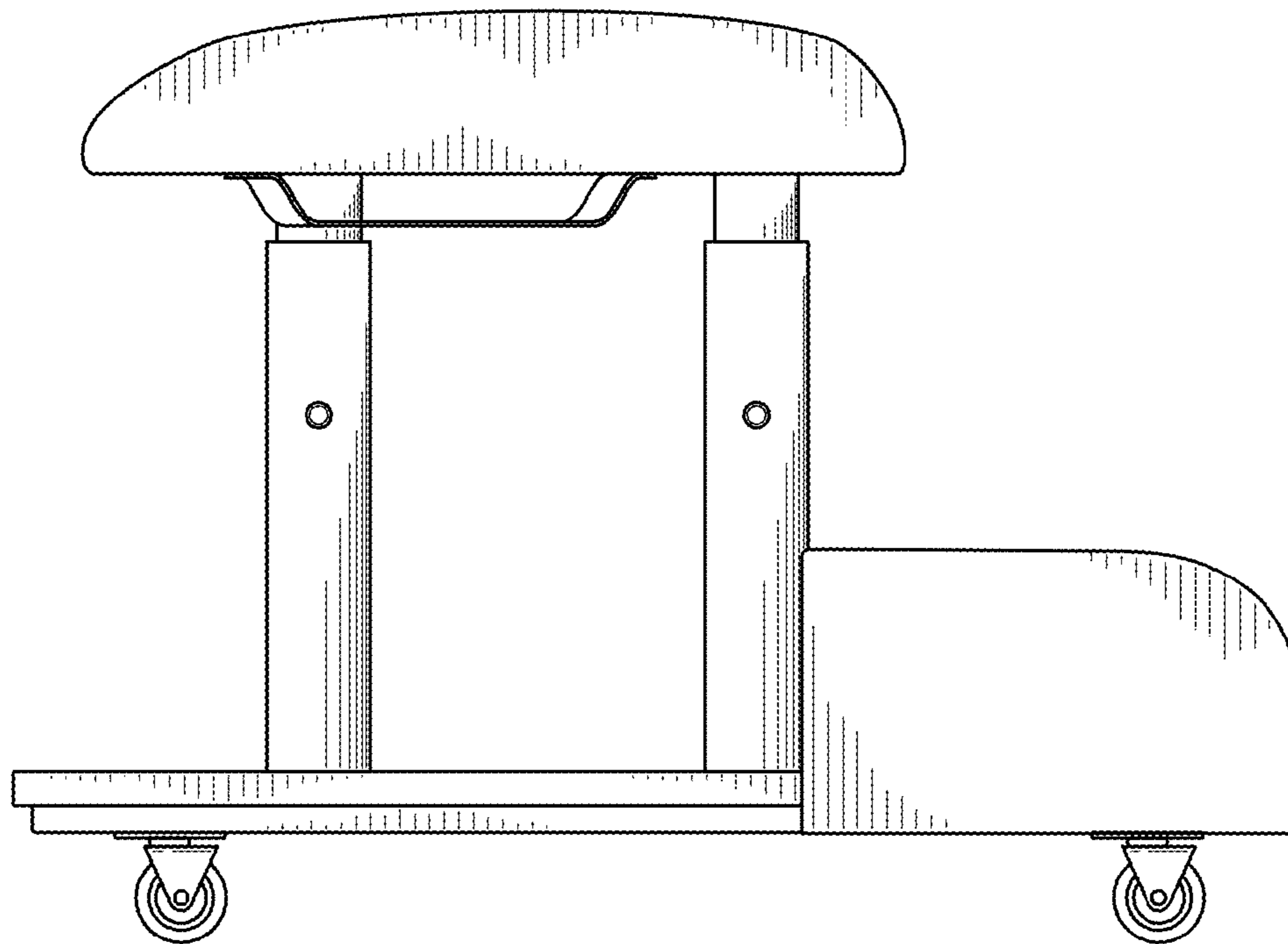


FIG. 4

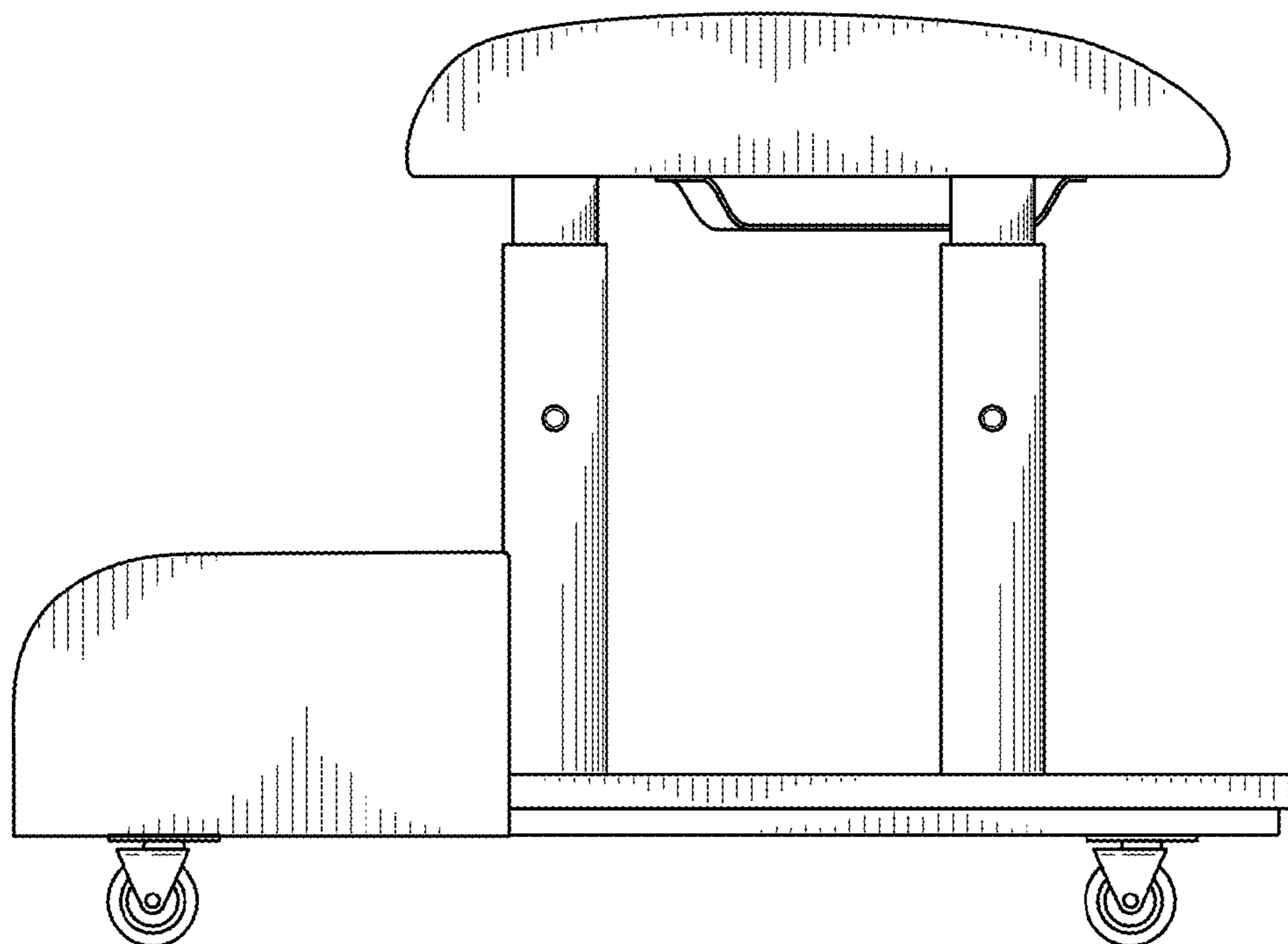


FIG. 5

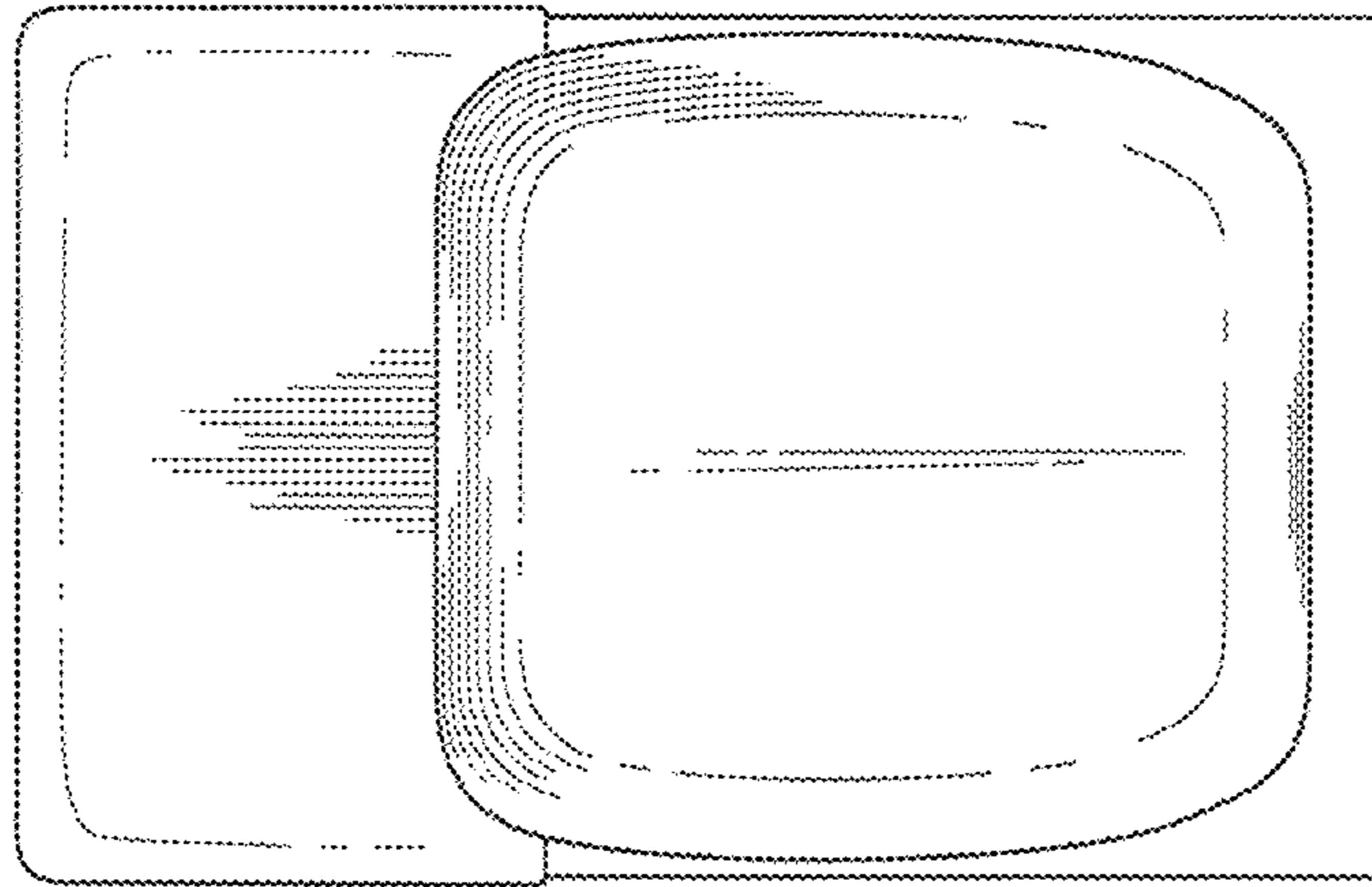


FIG. 6

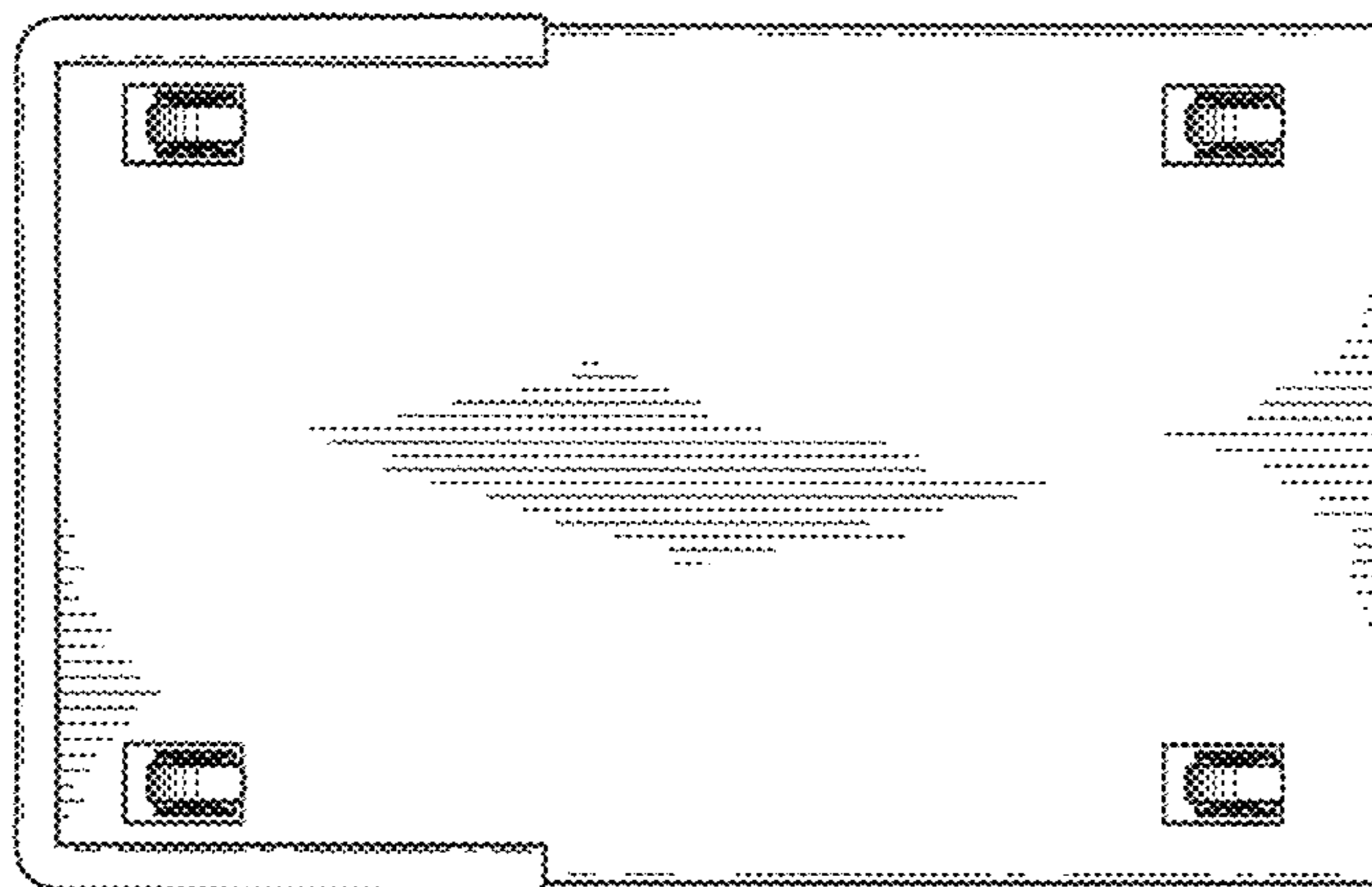


FIG. 7