



US00D815433S

(12) **United States Design Patent**
Gerbelle

(10) **Patent No.:** **US D815,433 S**

(45) **Date of Patent:** **** Apr. 17, 2018**

(54) **HANDBAG**

(71) Applicant: **J. Choo Limited**, London (GB)

(72) Inventor: **Rina Gerbelle**, Paris (FR)

(73) Assignee: **J. Choo Limited**, London (GB)

(**) Term: **15 Years**

(21) Appl. No.: **29/581,516**

(22) Filed: **Oct. 19, 2016**

(30) **Foreign Application Priority Data**

Apr. 20, 2016 (EM) 003076611-0004

(51) **LOC (11) Cl.** **03-01**

(52) **U.S. Cl.**
USPC **D3/246**

(58) **Field of Classification Search**
USPC D3/201, 205, 206, 226, 231–233,
D3/242–247, 258, 273, 299, 301, 303,
D3/318, 901, 903, 272, 294, 327;
D12/409

CPC A45C 13/02; A45C 13/04; A45C 13/06;
A45C 13/08; A45C 13/26; A45C 7/0077;
A45C 1/024; A45C 3/04; A45C 3/06;
A45C 11/16

See application file for complete search history.

(56) **References Cited**

U.S. PATENT DOCUMENTS

D118,992 S	2/1940	Berkowitz	
D235,692 S *	7/1975	Rushing	D3/243
D246,939 S *	1/1978	Casser	D3/233
D260,458 S *	9/1981	Siegel	D3/243
D268,304 S *	3/1983	Schimmel	D10/31
D324,771 S *	3/1992	Dixsaut	D3/243
D384,812 S *	10/1997	Heffelfinger	D3/243
D516,805 S	3/2006	Suppangig	

D555,898 S	11/2007	Morelli	
D560,353 S *	1/2008	Harvey	D3/217
D676,651 S *	2/2013	Ross	D3/232
D695,568 S *	12/2013	Hayes	D3/233
D711,096 S *	8/2014	Hanna	D3/232

(Continued)

OTHER PUBLICATIONS

Bag Bible, Lanvin Amalia, posted on Apr. 25, 2009, [online], [site visited on Aug. 15, 2017]. Available from Internet, URL: <http://bagbible.com/blog/2009/04/lanvin-amalia/>.*

(Continued)

Primary Examiner — Sheryl Lane

Assistant Examiner — Samantha N Wood

(74) *Attorney, Agent, or Firm* — Fross Zelnick Lehrman & Zissu, P.C.; Lawrence E. Apolzon, Esq.

(57) **CLAIM**

The ornamental design for a handbag, as shown and described.

DESCRIPTION

FIG. 1 is a front perspective view of a handbag showing my new design;

FIG. 2 is a front view thereof;

FIG. 3 is a back view thereof;

FIG. 4 is a left side view thereof;

FIG. 5 is a right side view thereof;

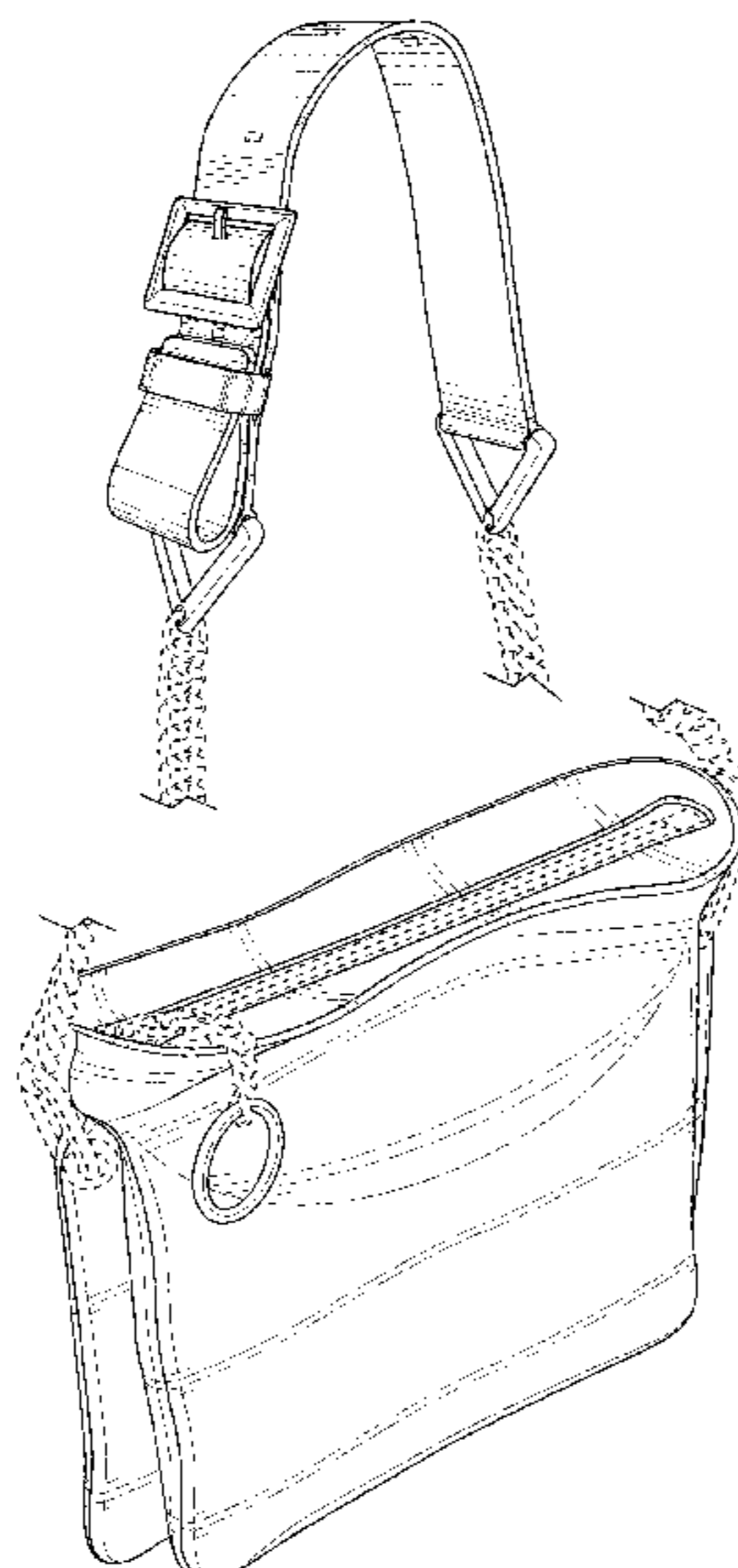
FIG. 6 is a top view thereof; and,

FIG. 7 is a bottom view thereof.

The chain of the handbag is shown with symbolic breaks in its length. The appearance of any portion of the article between the break lines forms no part of the claimed design.

The broken line showing of portions of portions of the body of the handbag, buckle holes, zipper, zipper track, metal rings, chain, and grommets in the drawings shows unclaimed subject matter.

1 Claim, 5 Drawing Sheets



(56)

References Cited

U.S. PATENT DOCUMENTS

2004/0187987 A1* 9/2004 Temkin A45C 13/002
150/111
2015/0225164 A1* 8/2015 Seiders B65D 81/3858
220/592.25

OTHER PUBLICATIONS

Daarboven, Review: Celine Trio Bag, posted on Feb. 15, 2015, [online], [site visited on Oct. 24, 2017]. Available from Internet, <URL: <http://www.daarboven.com/2015/02/15/review-celine-trio-bag/>> (Year: 2015).*

In Their Closet, Real Vs. Steal—Celine Trio Bag, updated on May 15, 2014, [online], [site visited on Oct. 24, 2017]. Available from Internet, <URL: <http://intheircloset.com/celine-trio-bag>> (Year: 2014).*

* cited by examiner

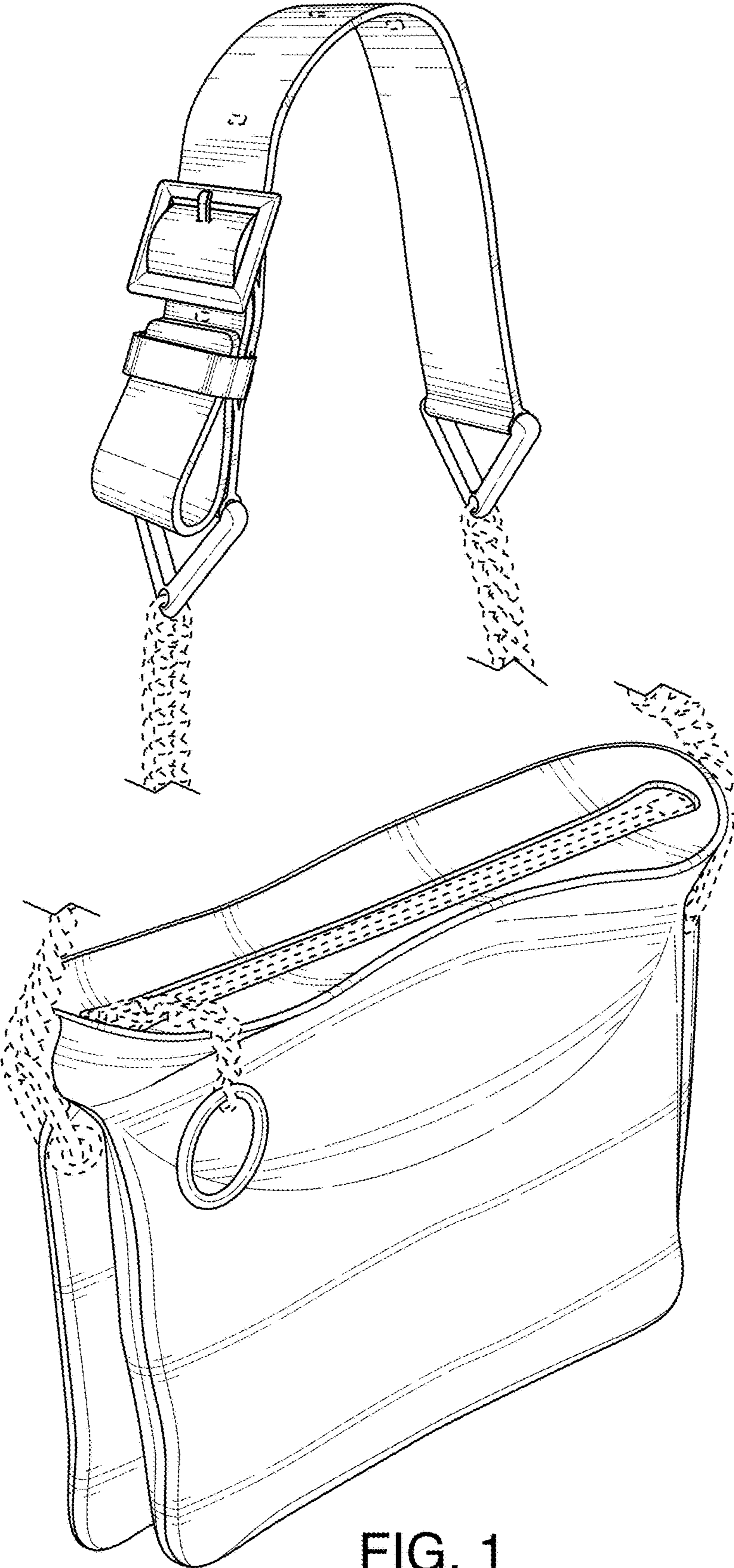


FIG. 1

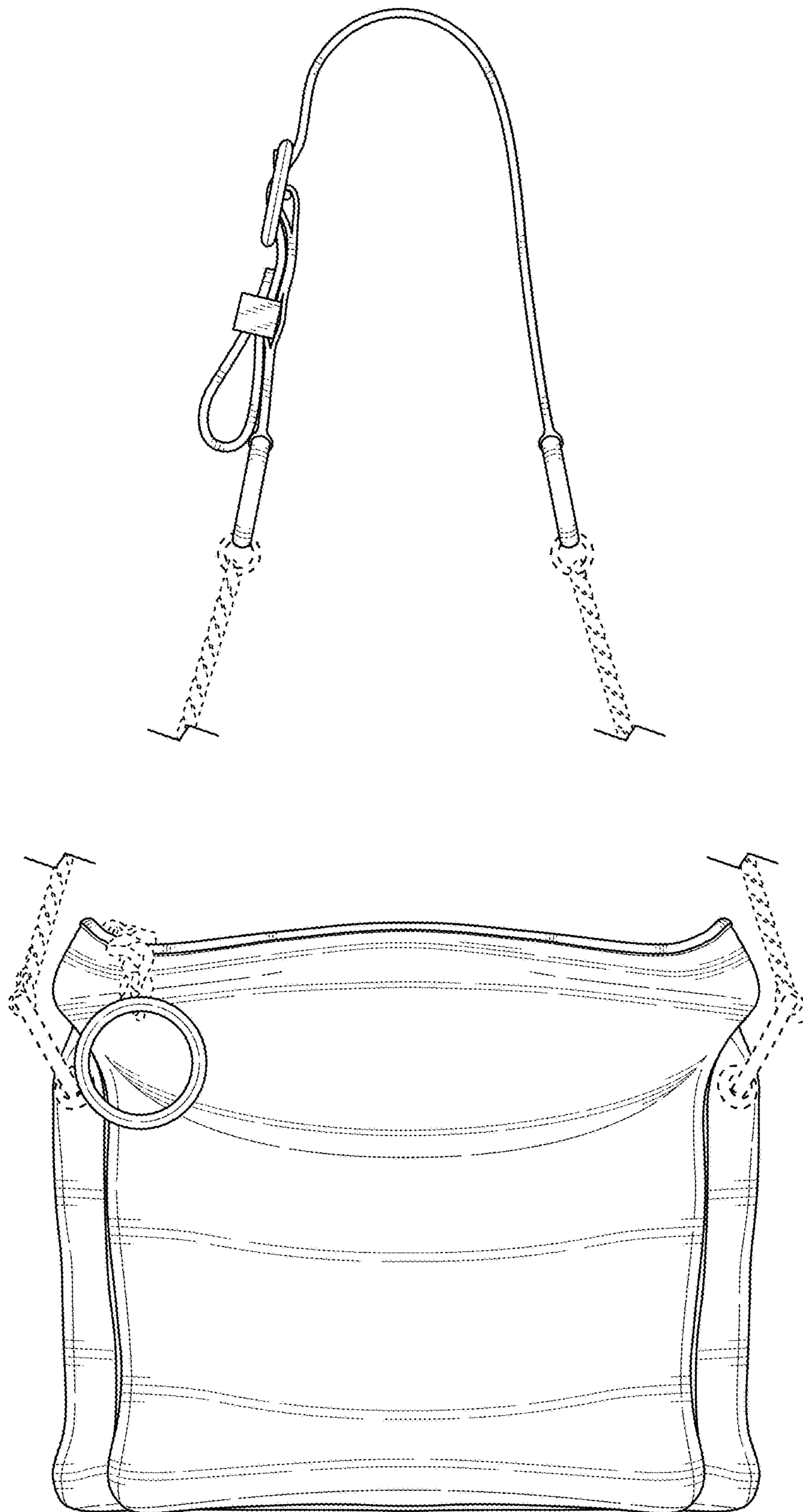


FIG. 2

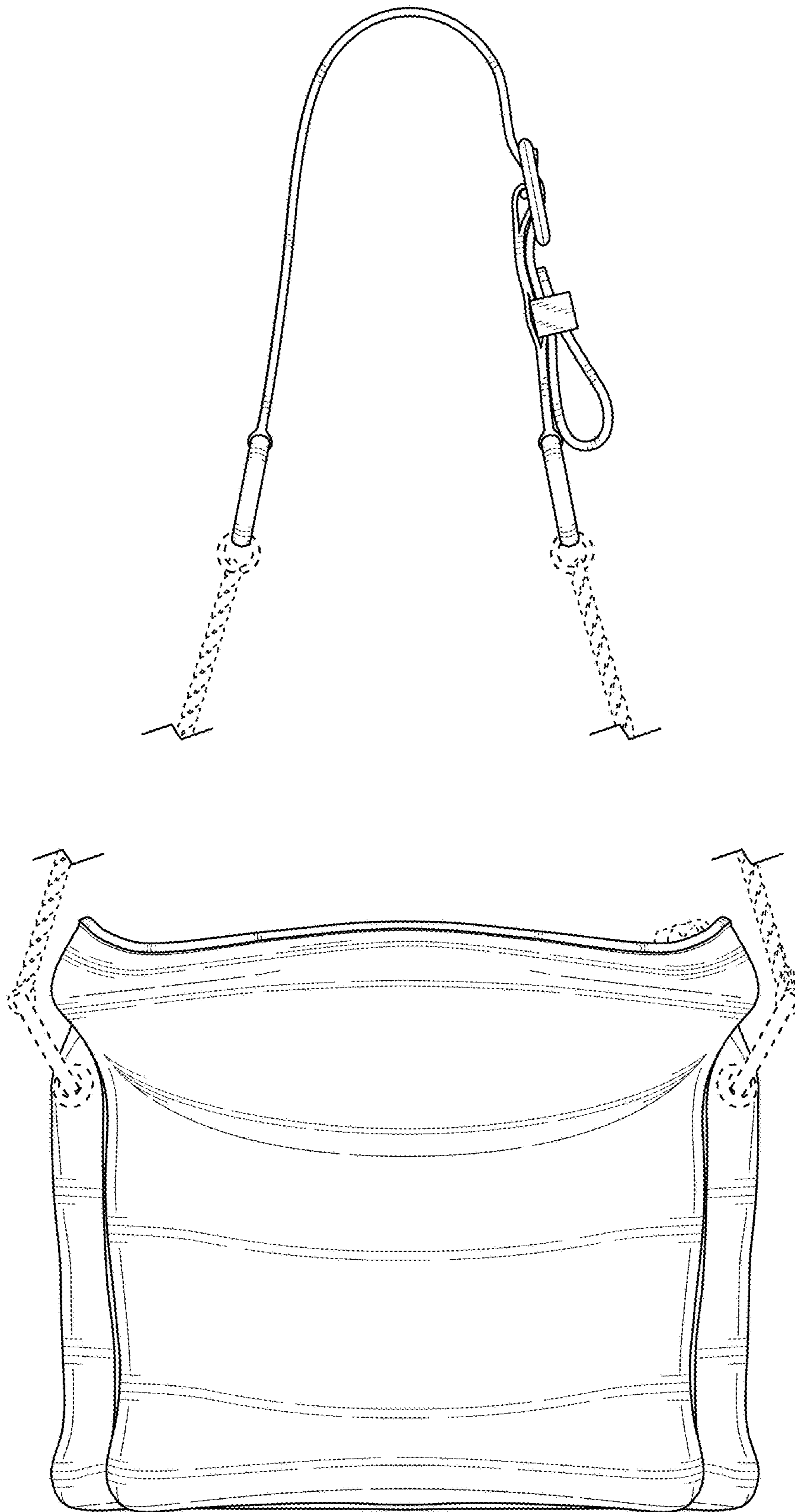


FIG. 3

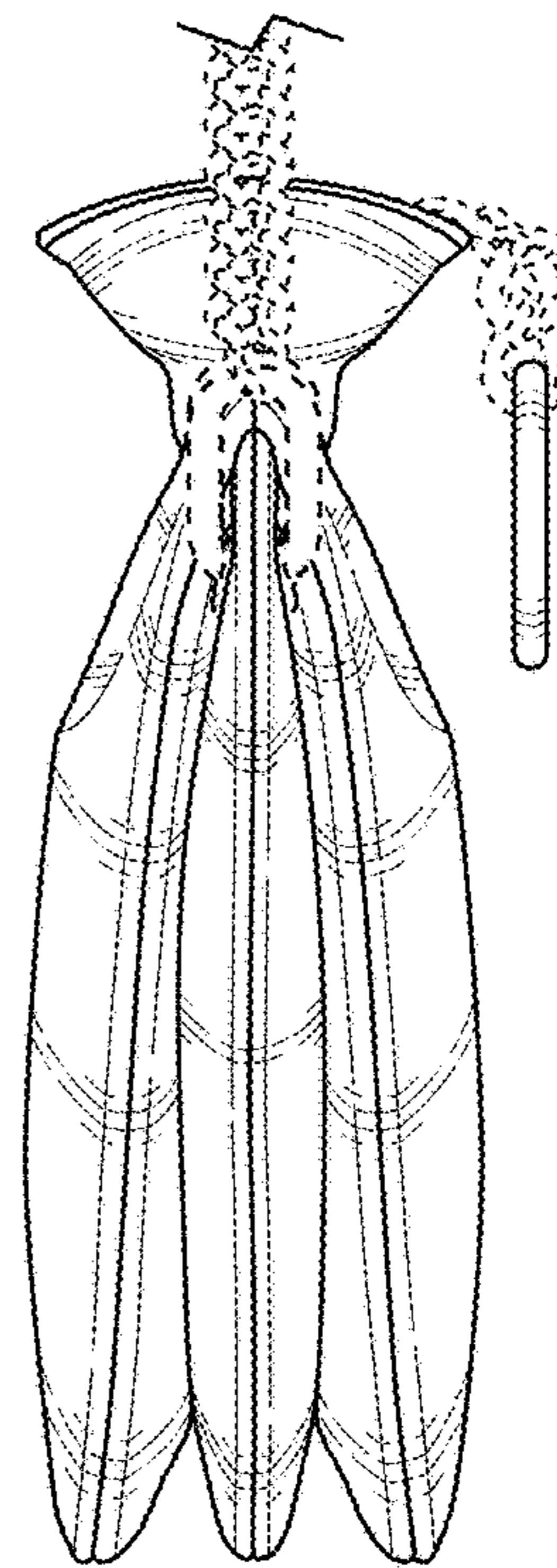
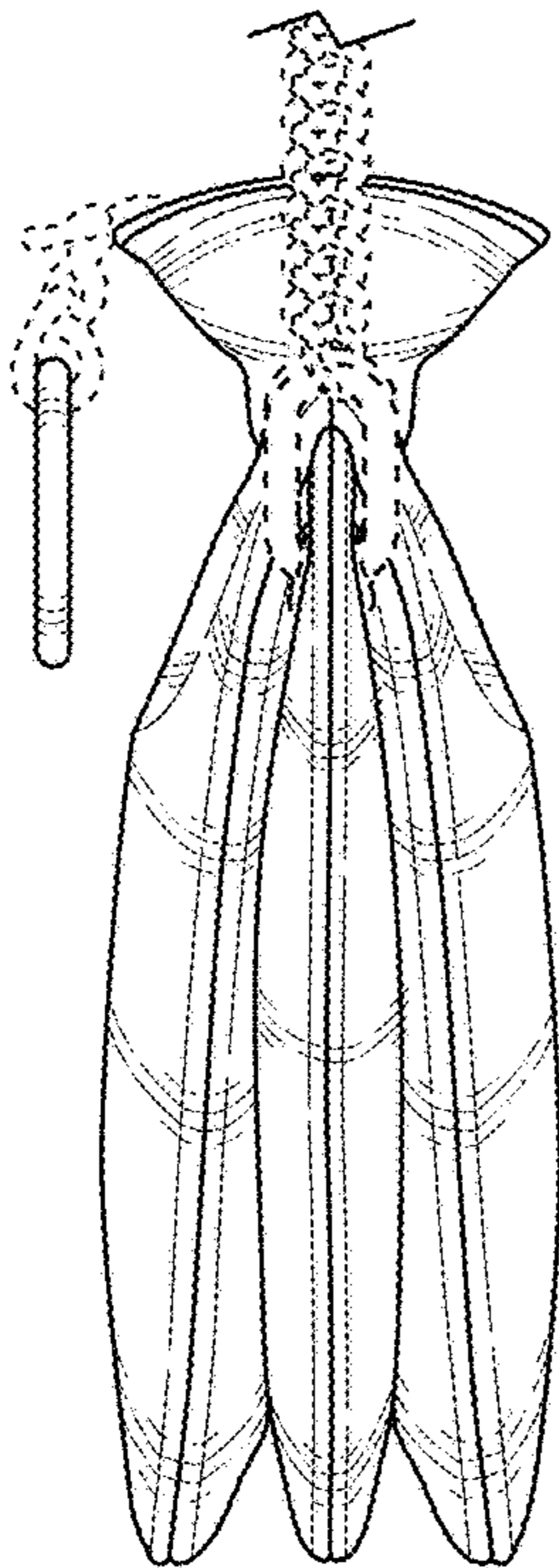
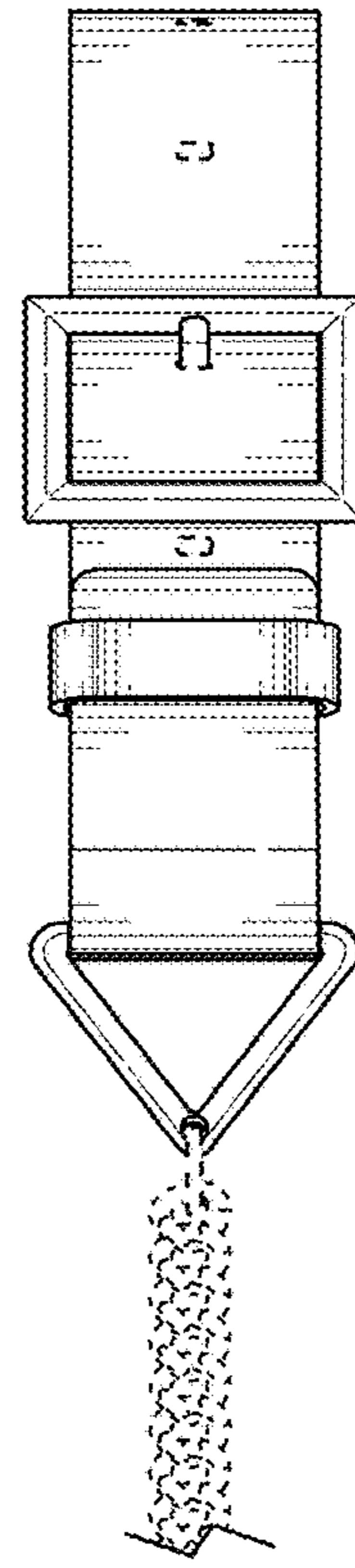
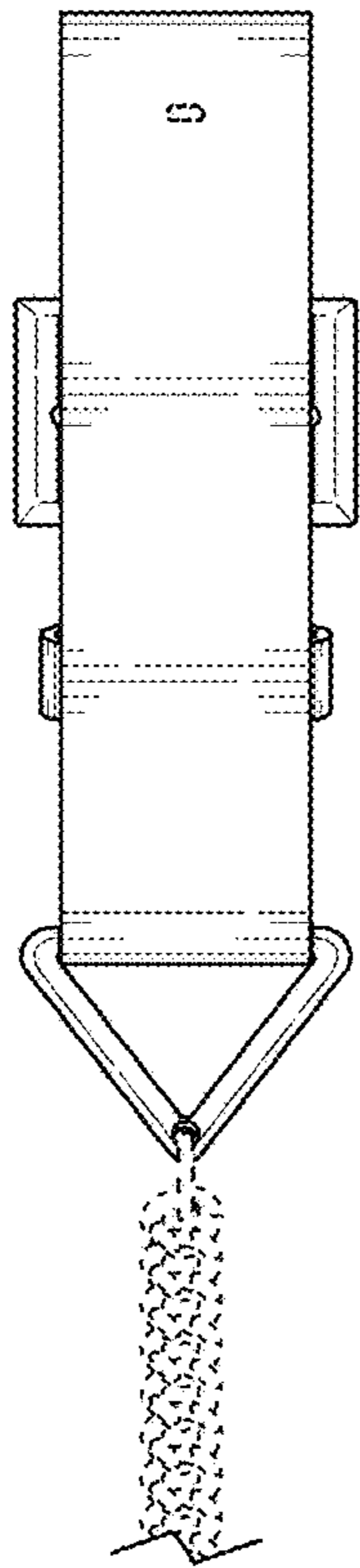


FIG. 4

FIG. 5

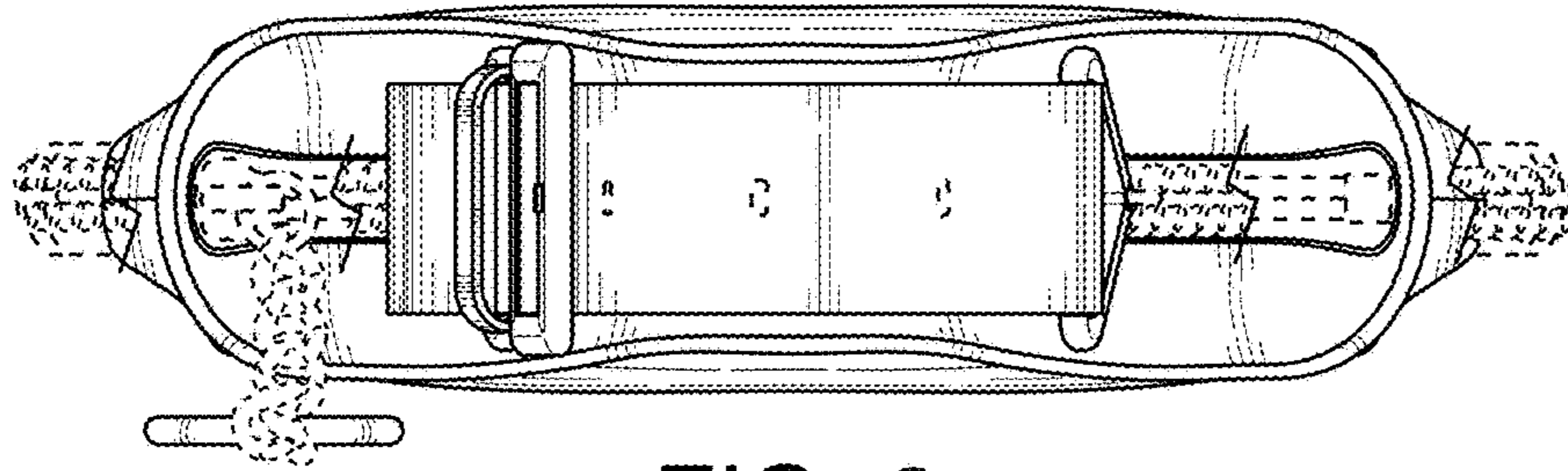


FIG. 6

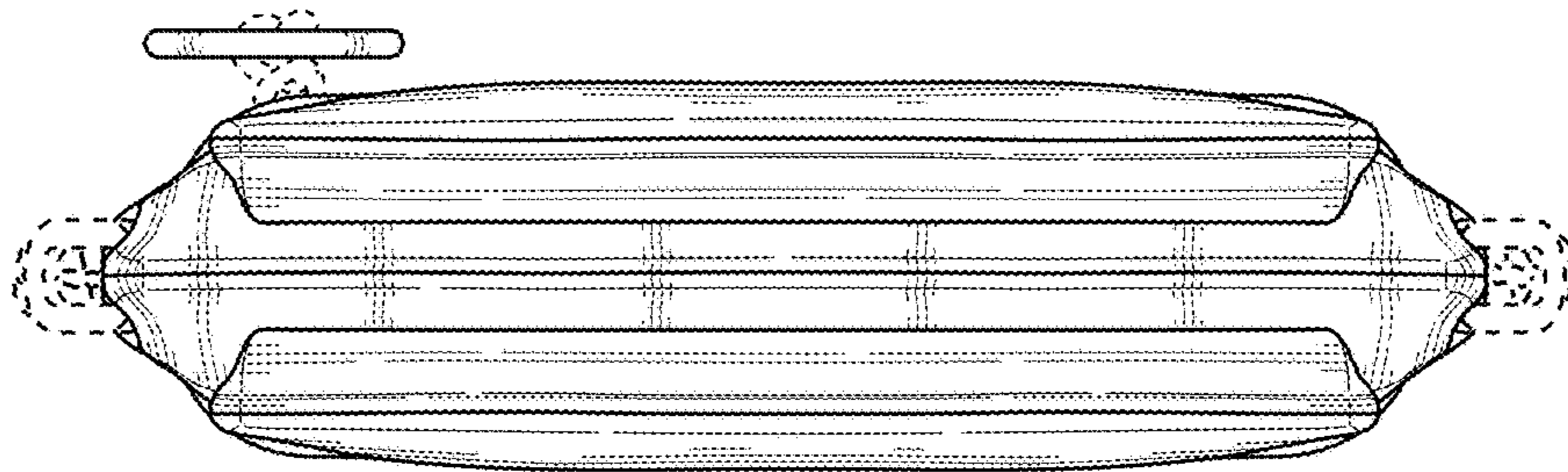


FIG. 7