



US00D815429S

(12) **United States Design Patent** (10) **Patent No.:** **US D815,429 S**  
**Lanza et al.** (45) **Date of Patent:** **\*\* Apr. 17, 2018**

(54) **BOTTLE HOLSTER**

(71) Applicant: **Shock Doctor, Inc.**, Minnetonka, MN (US)

(72) Inventors: **Benjamin Casey Lanza**, Sheldon, VT (US); **James Creath Frazier**, Hinesburg, VT (US); **Adam Peter Karl, IV**, Burlington, VT (US); **Katherine Voigt**, Millersville, MD (US)

(73) Assignee: **Shock Doctor, Inc.**, Minnetonka, MN (US)

(\*\*) Term: **15 Years**

(21) Appl. No.: **29/588,220**

(22) Filed: **Dec. 19, 2016**

(51) **LOC (11) Cl.** ..... **03-01**

(52) **U.S. Cl.**  
USPC ..... **D3/229**

(58) **Field of Classification Search**  
USPC ..... D3/229, 215, 221, 222-223, 218, 228, D3/224, 226; D12/411; D7/620; 224/148.1, 148.4, 148.6, 148.7, 610, 618  
(Continued)

(56) **References Cited**

U.S. PATENT DOCUMENTS

1,383,315 A \* 7/1921 Lethern ..... A45F 5/14  
224/148.6  
D347,941 S \* 6/1994 Minx ..... D3/229  
(Continued)

OTHER PUBLICATIONS

Nathan Sports Mercury 2 Hydration Belt, <https://www.nathansports.com/mercury-2-hydration-belt-4632n>, accessed Mar. 21, 2017, at least available on Nov. 19, 2015.

(Continued)

*Primary Examiner* — Catherine R Oliver-Garcia  
(74) *Attorney, Agent, or Firm* — Faegre Baker Daniels LLP

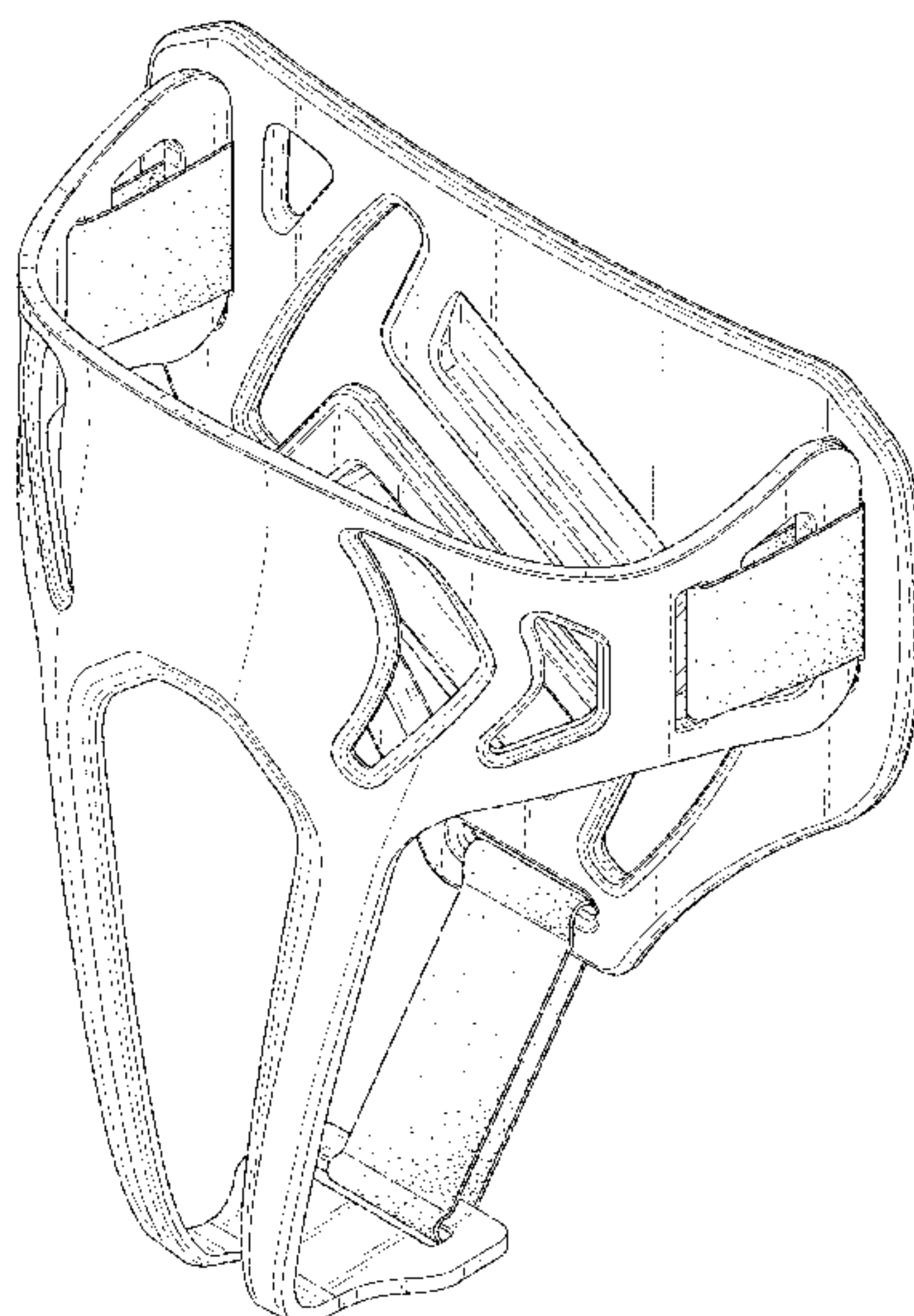
(57) **CLAIM**

The ornamental design for bottle holster, as shown and described.

**DESCRIPTION**

FIG. 1 is a front perspective view of a first embodiment of bottle holster illustrating our new design; FIG. 2 is a front view of the first embodiment of FIG. 1; FIG. 3 is a rear view of the first embodiment of FIG. 1; FIG. 4 is a left side view of the first embodiment of FIG. 1; FIG. 5 is a right side view of the first embodiment of FIG. 1; FIG. 6 is a top view of the first embodiment of FIG. 1; FIG. 7 is a bottom view of the first embodiment of FIG. 1; FIG. 8 is a front perspective view of a second embodiment of bottle holster illustrating our new design; FIG. 9 is a front view of the second embodiment of FIG. 8; FIG. 10 is a rear view of the second embodiment of FIG. 8; FIG. 11 is a left side view of the second embodiment of FIG. 8; FIG. 12 is a right side view of the second embodiment of FIG. 8; FIG. 13 is a top view of the second embodiment of FIG. 8; FIG. 14 is a bottom view of the second embodiment of FIG. 8; FIG. 15 is another front view of the second embodiment of FIG. 8 with an optional environment of a belt; and, FIG. 16 is another front view of the second embodiment of FIG. 8 with an optional environment of another, mirror image of the second embodiment of FIG. 8 and a belt. Features shown in dashed lines are stitching that forms part of the claimed design. Features shown in long-short dashed lines in FIGS. 15 and 16 illustrate optional environments that form no part of the claimed design.

**1 Claim, 16 Drawing Sheets**



(58) **Field of Classification Search**  
CPC ..... A45F 5/00; A45F 5/14; A45F 5/021  
See application file for complete search history.

(56) **References Cited**

U.S. PATENT DOCUMENTS

D509,354 S \* 9/2005 Tannenhauser ..... D3/229  
8,727,153 B2 5/2014 Willows et al.  
8,783,538 B1 \* 7/2014 Dattilo ..... A45F 5/021  
224/148.4  
D725,384 S \* 3/2015 Willows ..... D3/229  
D774,752 S \* 12/2016 Pomerantz ..... D3/226

OTHER PUBLICATIONS

Nathan Sports Mercury 3 Hydration Belt, <https://www.nathansports.com/mercury-3-hydration-belt-4633n>, accessed Mar. 21, 2017, at least available on Nov. 19, 2015.

Nathan Sports QuickShot Plus Hydration Flask, <https://www.nathansports.com/quickshot-plus-hydration-flask-4836n>, accessed Mar. 21, 2017, at least available on Nov. 24, 2015.

Nathan Sports QuickShot Plus Hydration Flask, photos of product with and without hand strap, at least available on Nov. 24, 2015.

Nathan Sports SpeedDraw Plus Flask, <https://www.nathansports.com/speeddraw-plus-4850n>, accessed Mar. 21, 2017, at least available on Nov. 24, 2015.

Nathan Sports SpeedDraw Plus Flask, photos of product with and without hand strap, at least available on Nov. 24, 2015.

Nathan Sports SpeedDraw Plus Insulated Flask, <https://www.nathansports.com/speeddraw-plus-insulated-flask-4851n>, accessed Apr. 3, 2017, at least available on Nov. 12, 2015.

Nathan Sports SpeedDraw Plus Insulated Flask, photos of product with and without hand strap, at least available on Nov. 12, 2015.

Nathan Sports TrailMix Hydration Belt, <https://www.nathansports.com/trailmix-hydration-belt-4625n>, accessed Mar. 21, 2017, at least available on Nov. 19, 2015.

\* cited by examiner



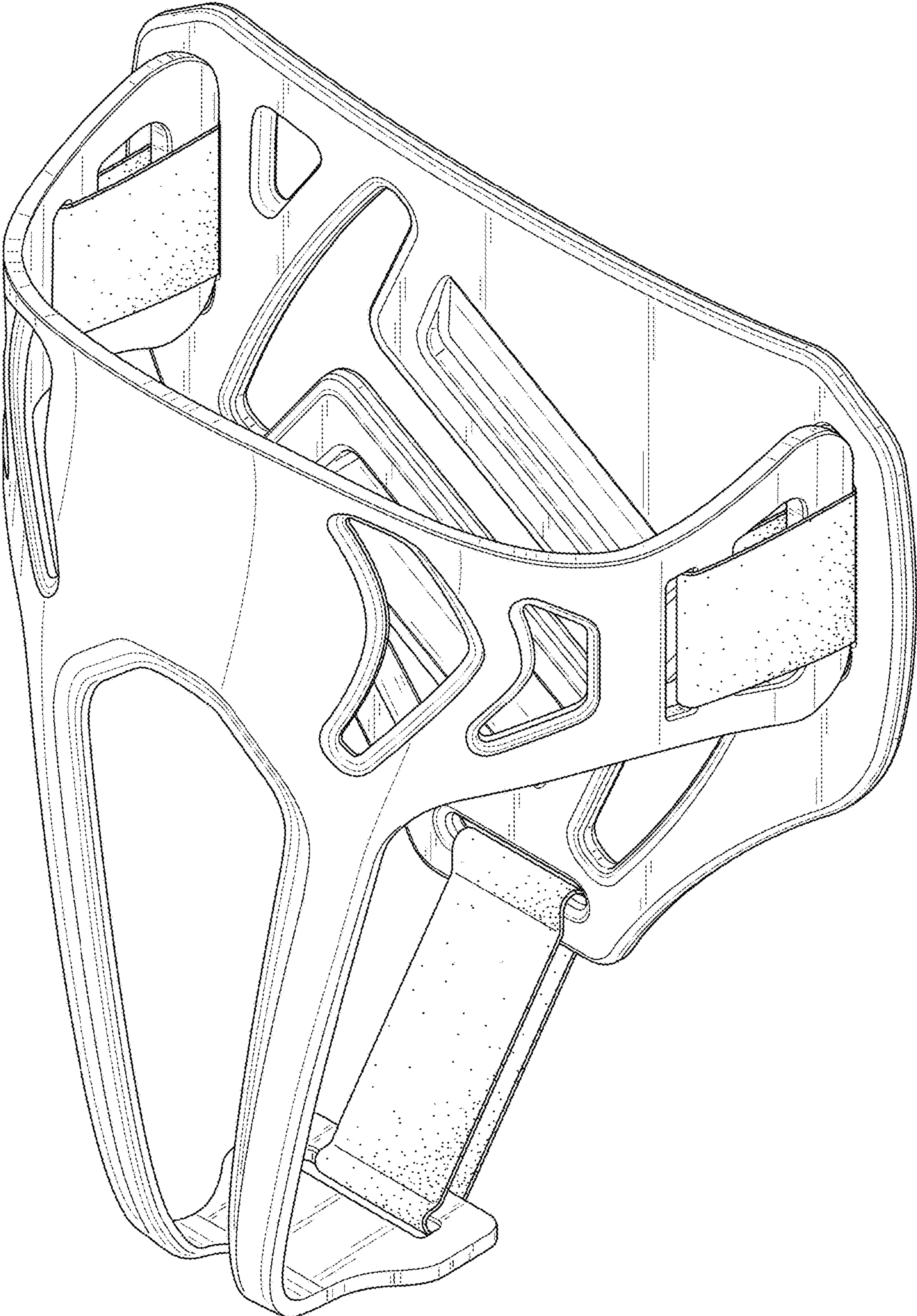


FIG. 1

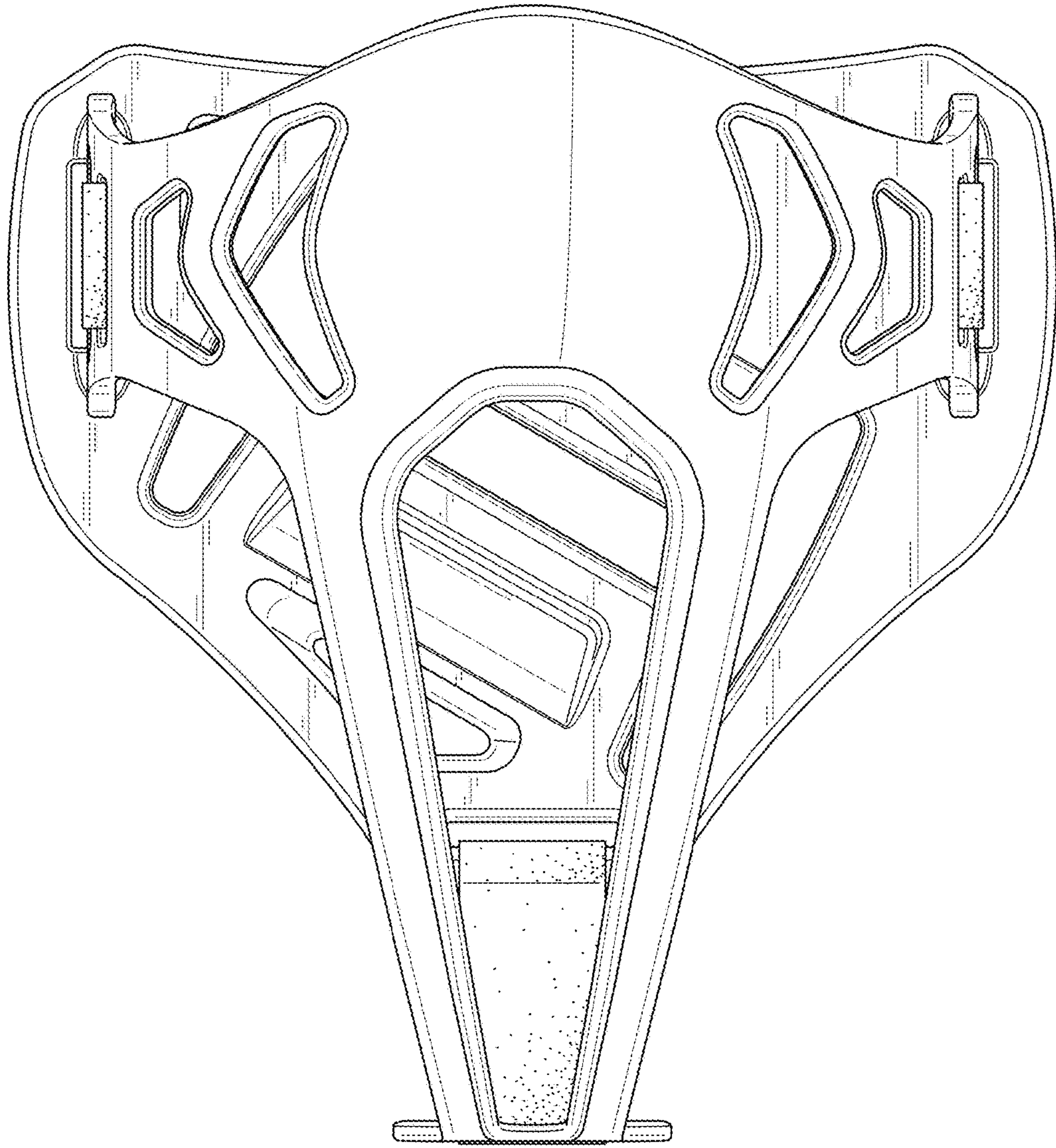


FIG. 2



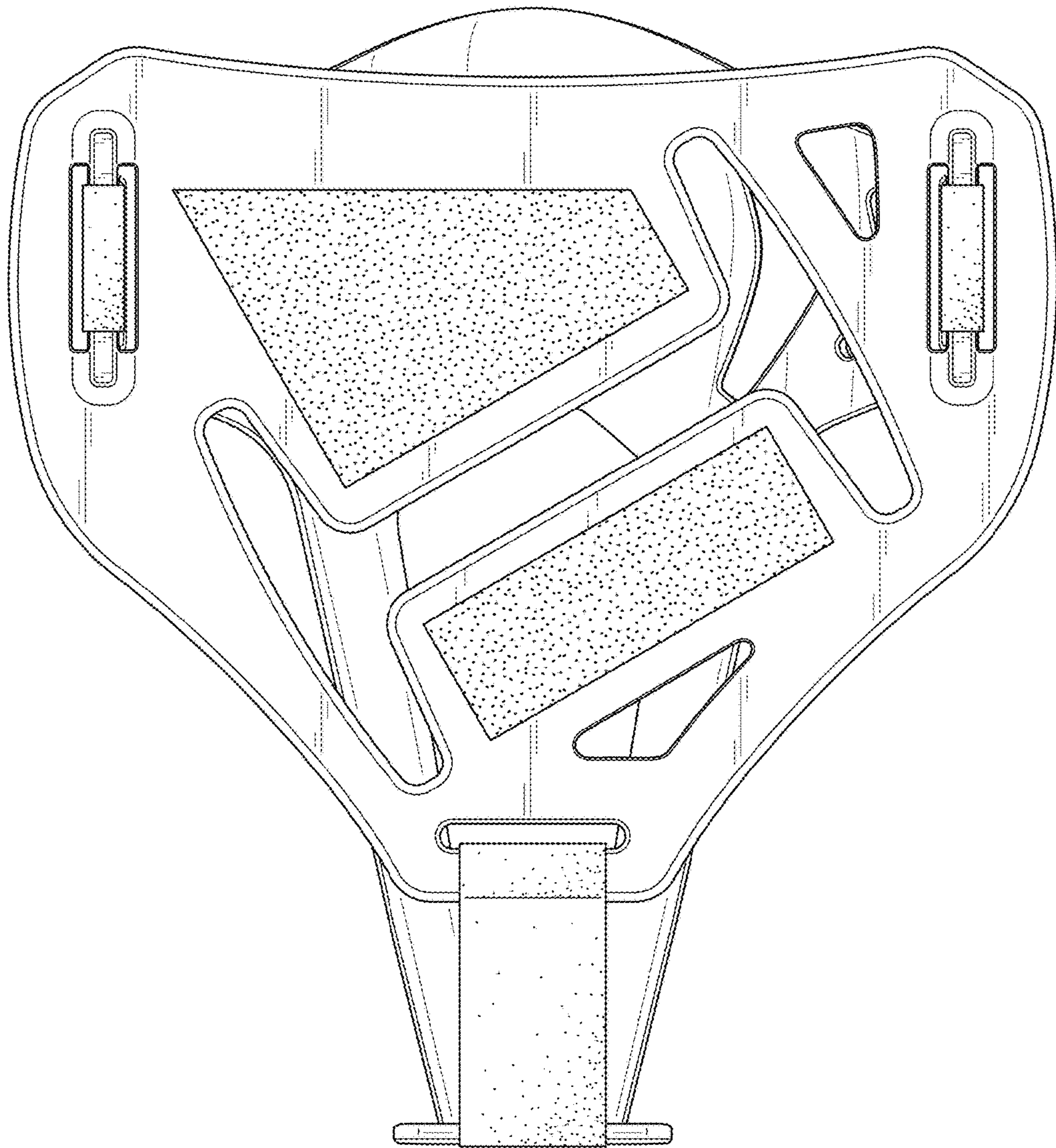


FIG. 3

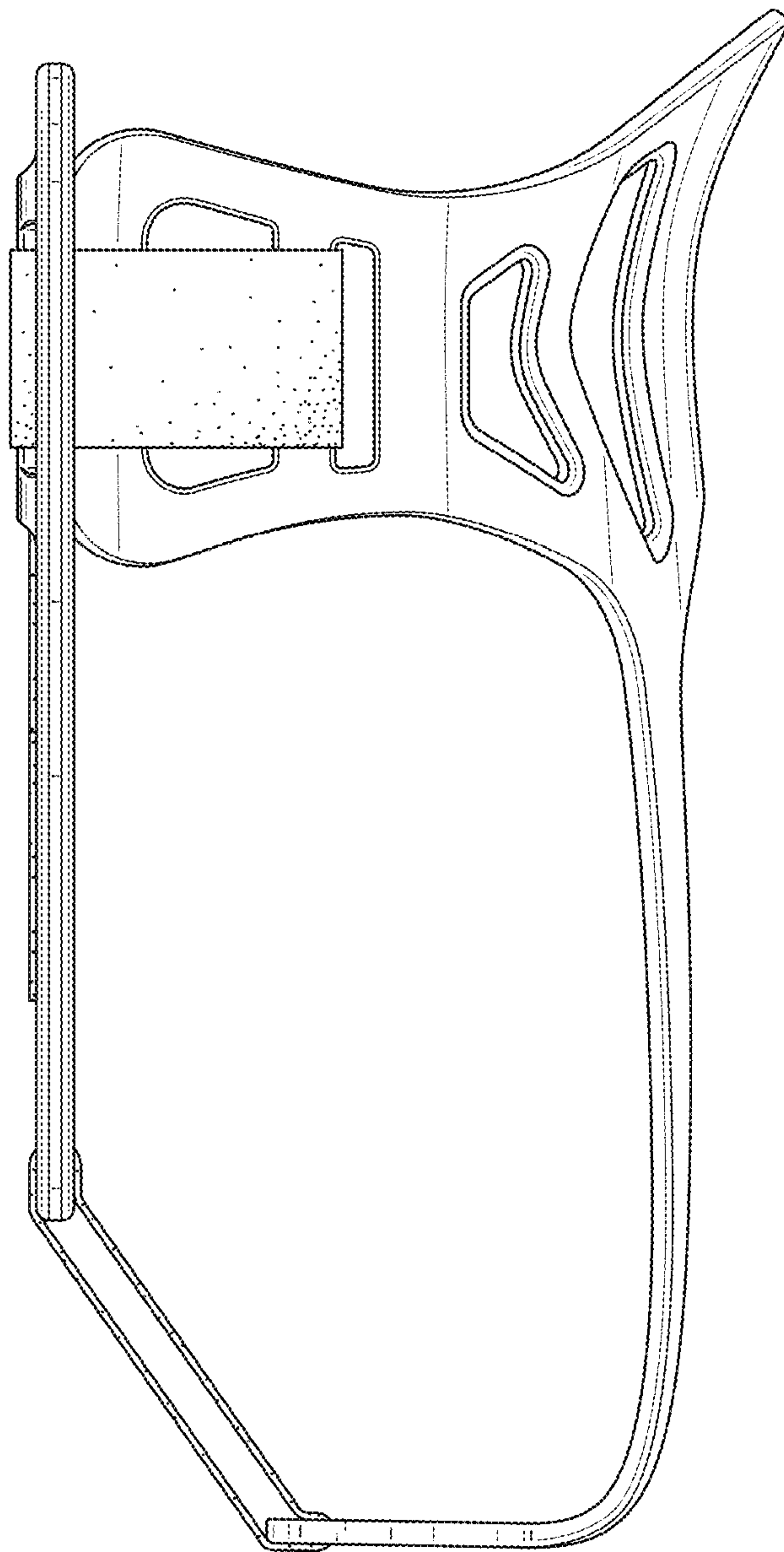


FIG. 4

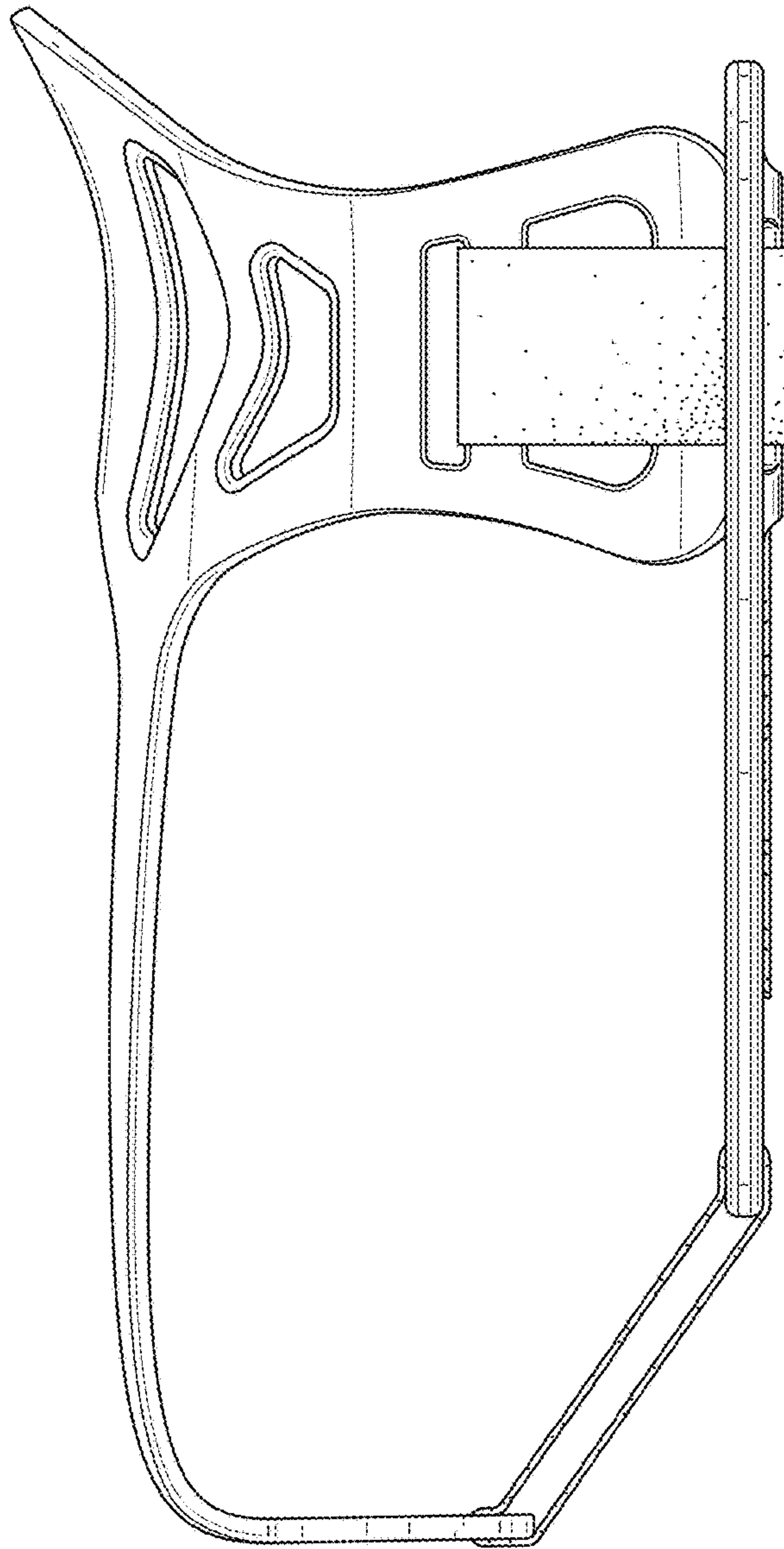


FIG. 5

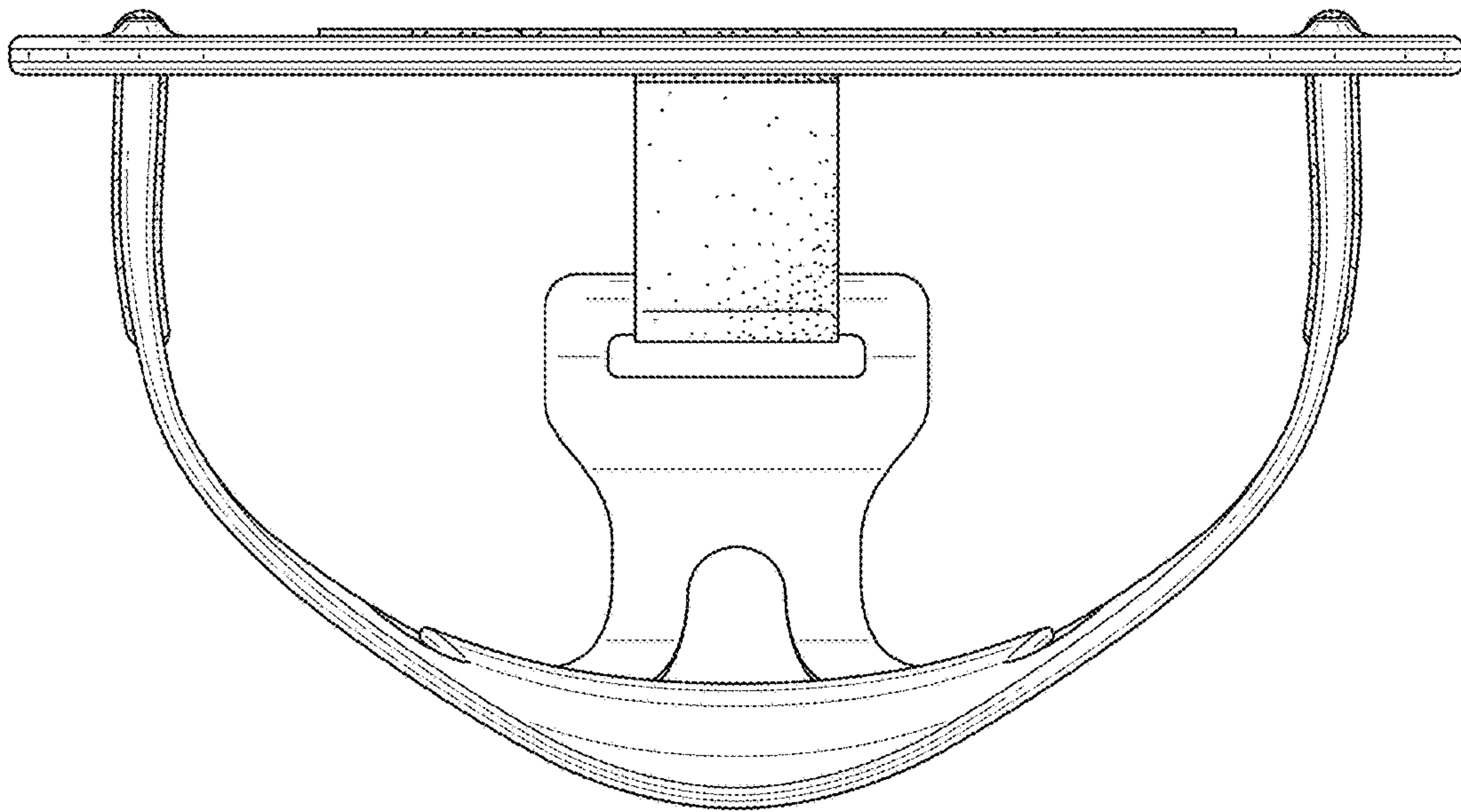


FIG. 6



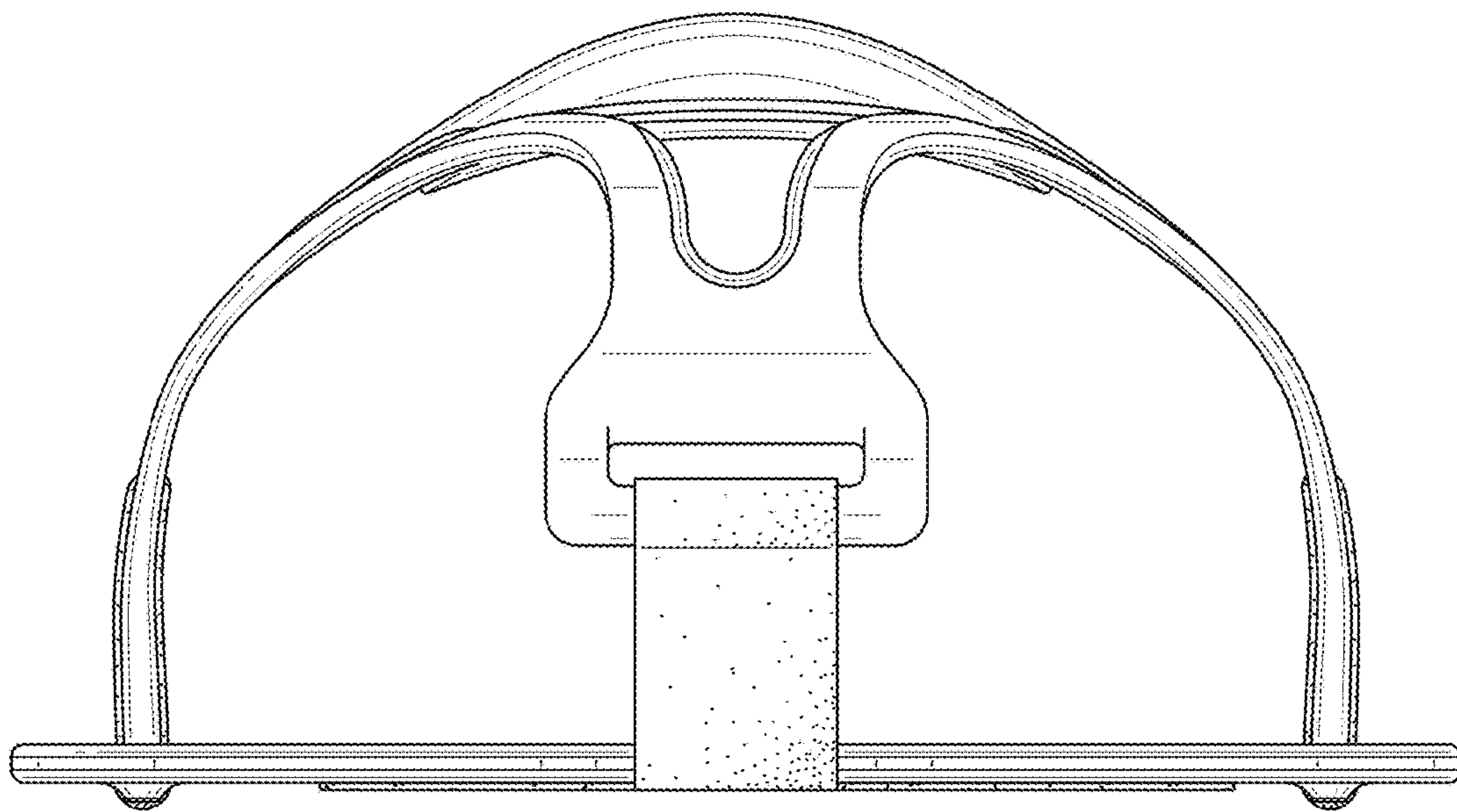


FIG. 7

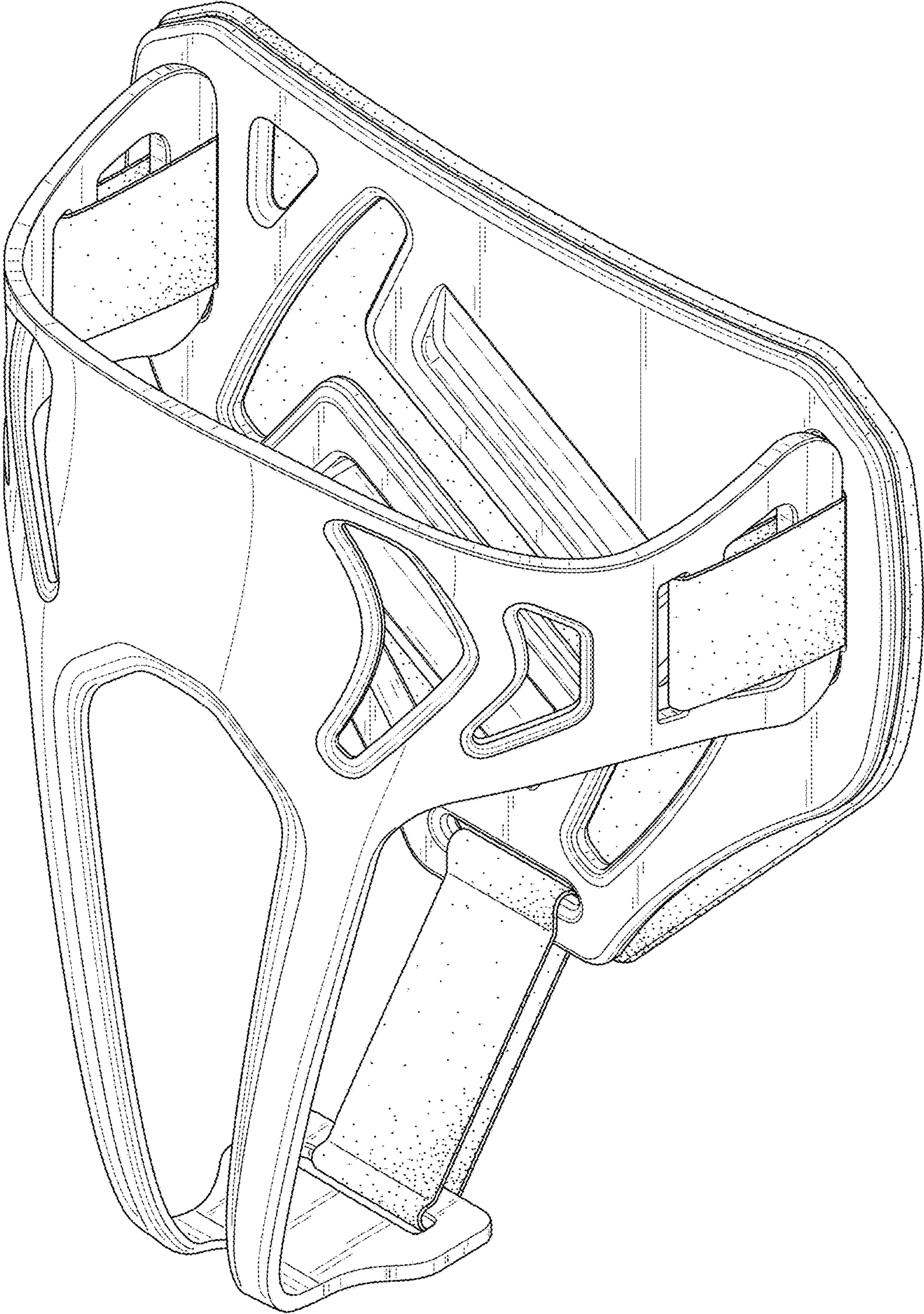


FIG. 8

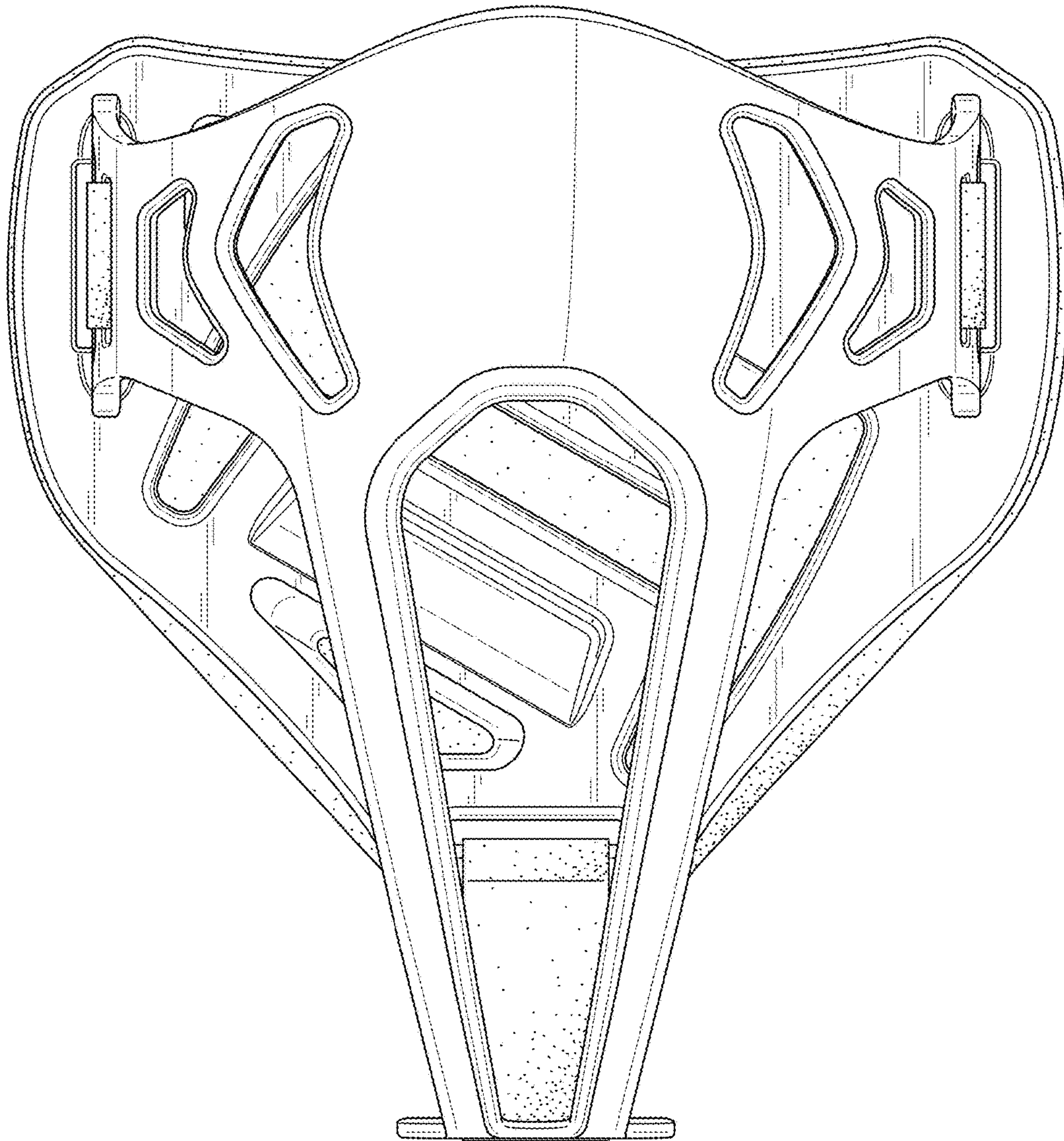


FIG. 9



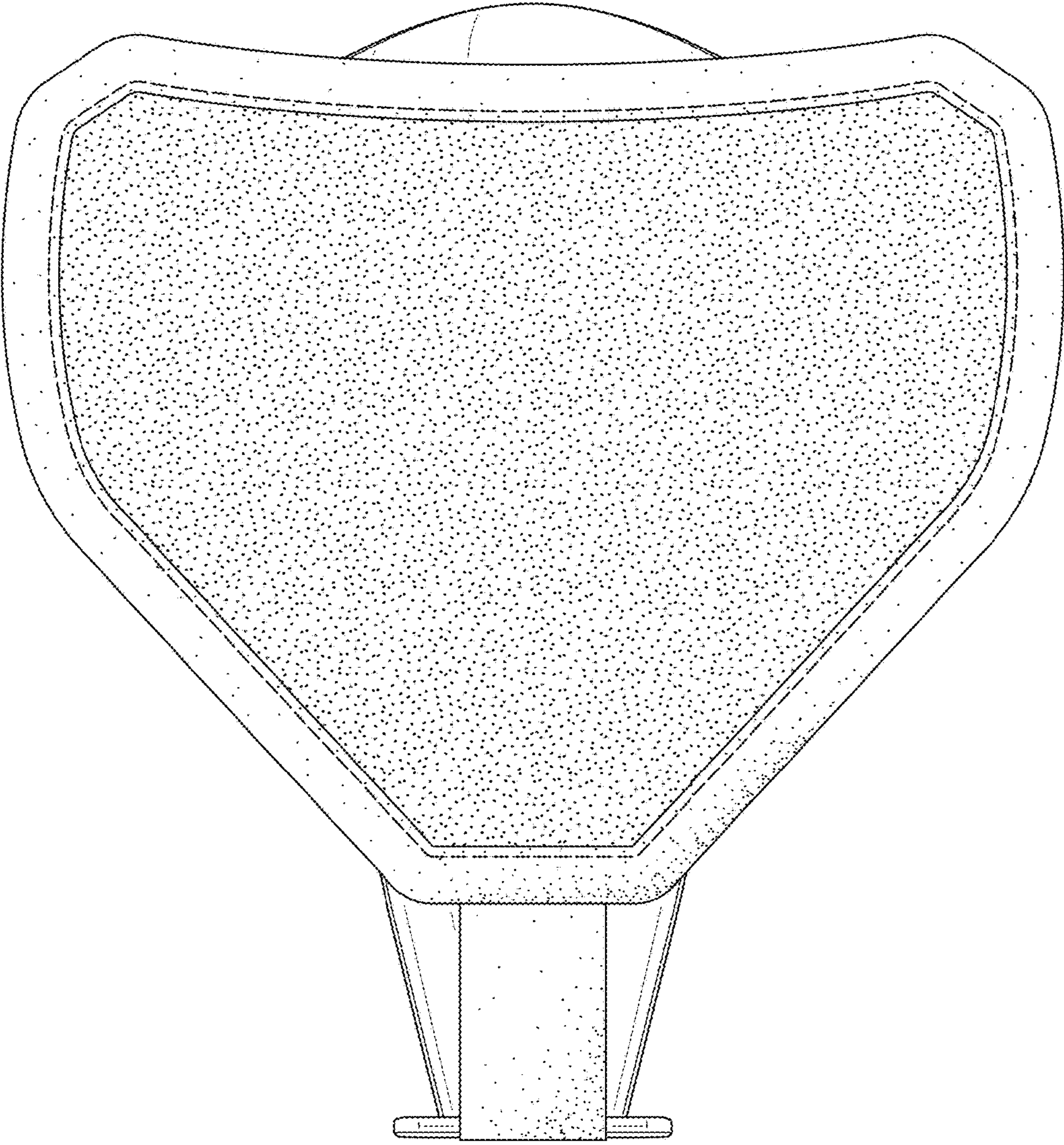


FIG. 10

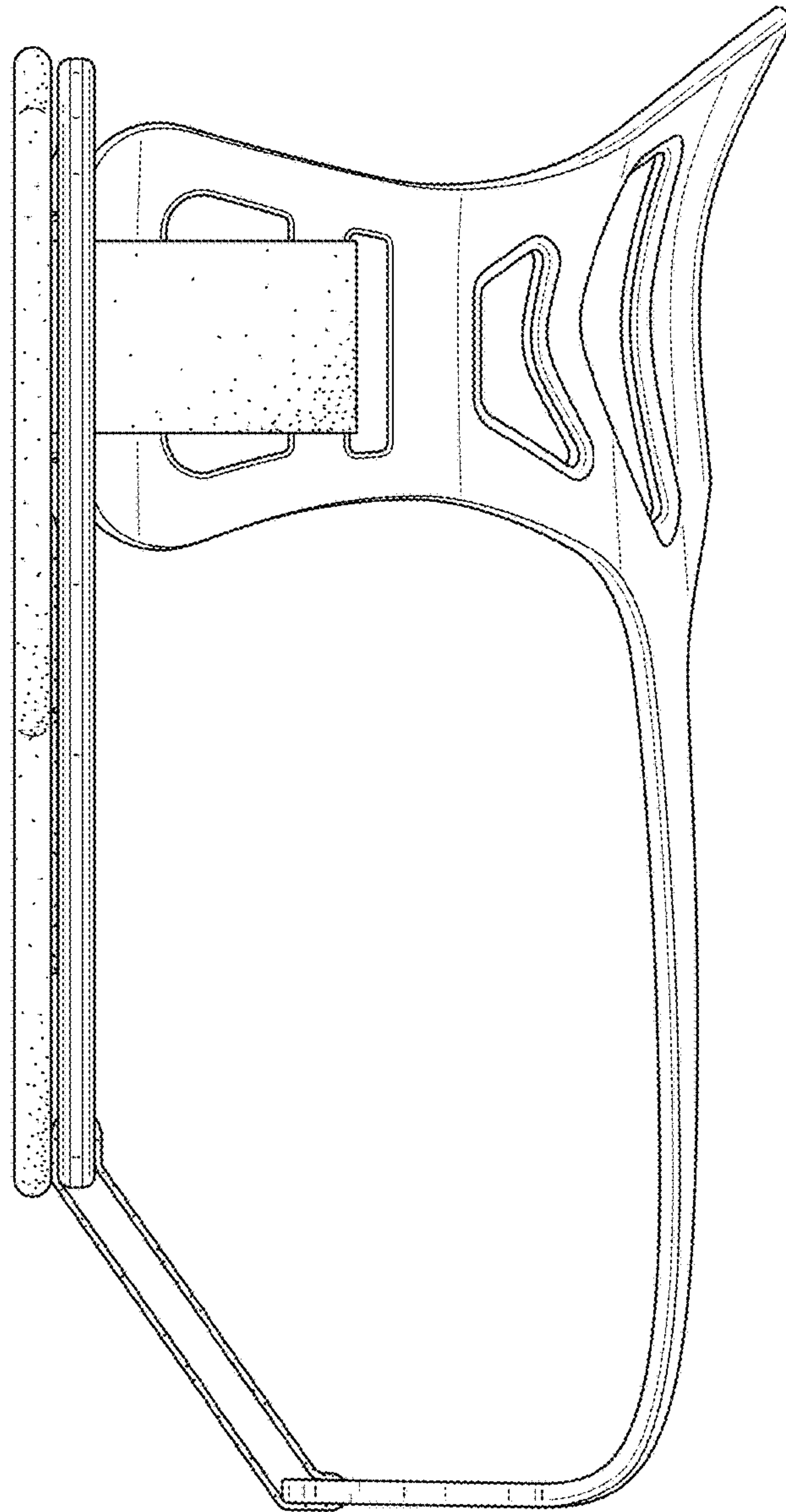


FIG. 11

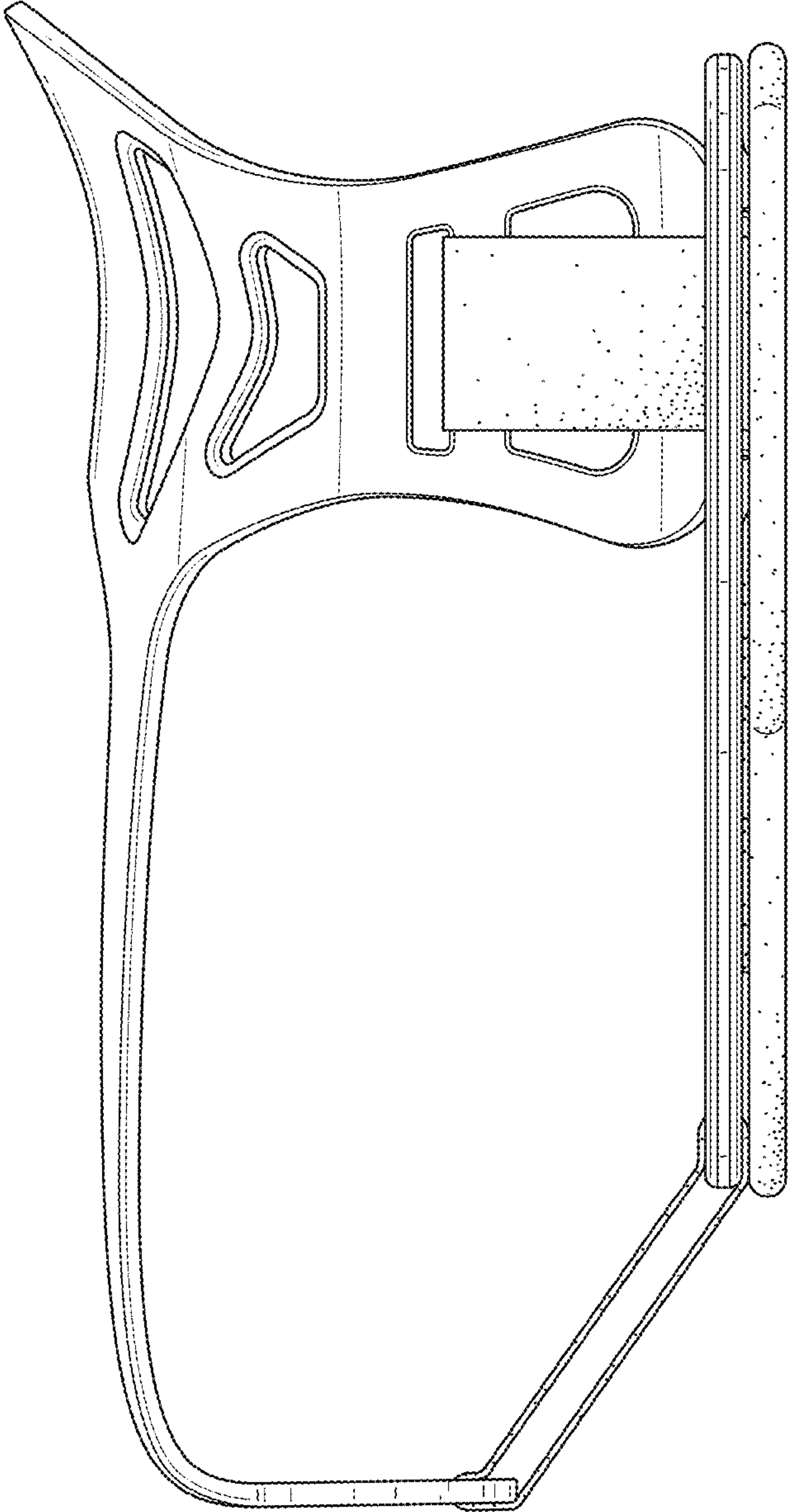


FIG. 12



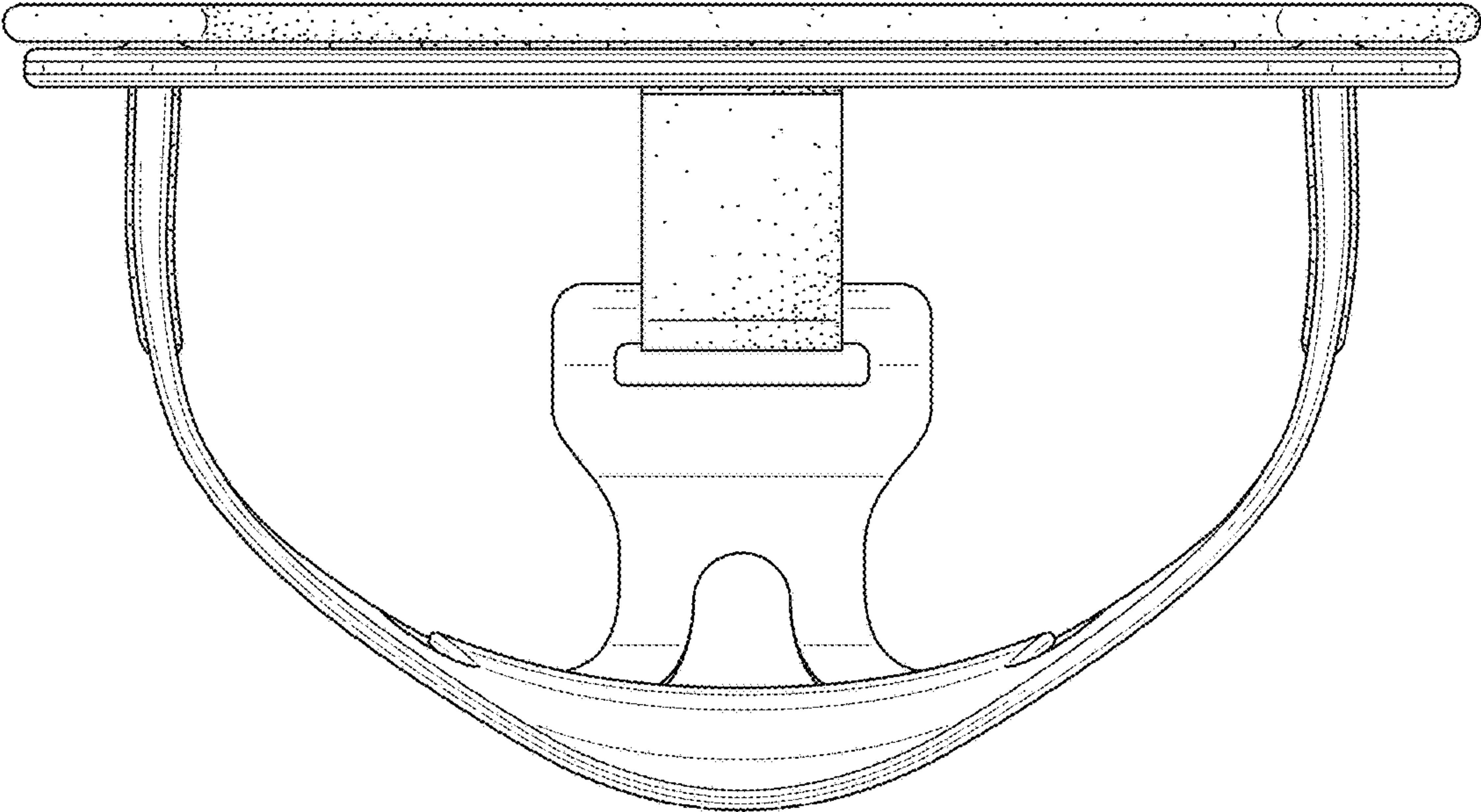


FIG. 13

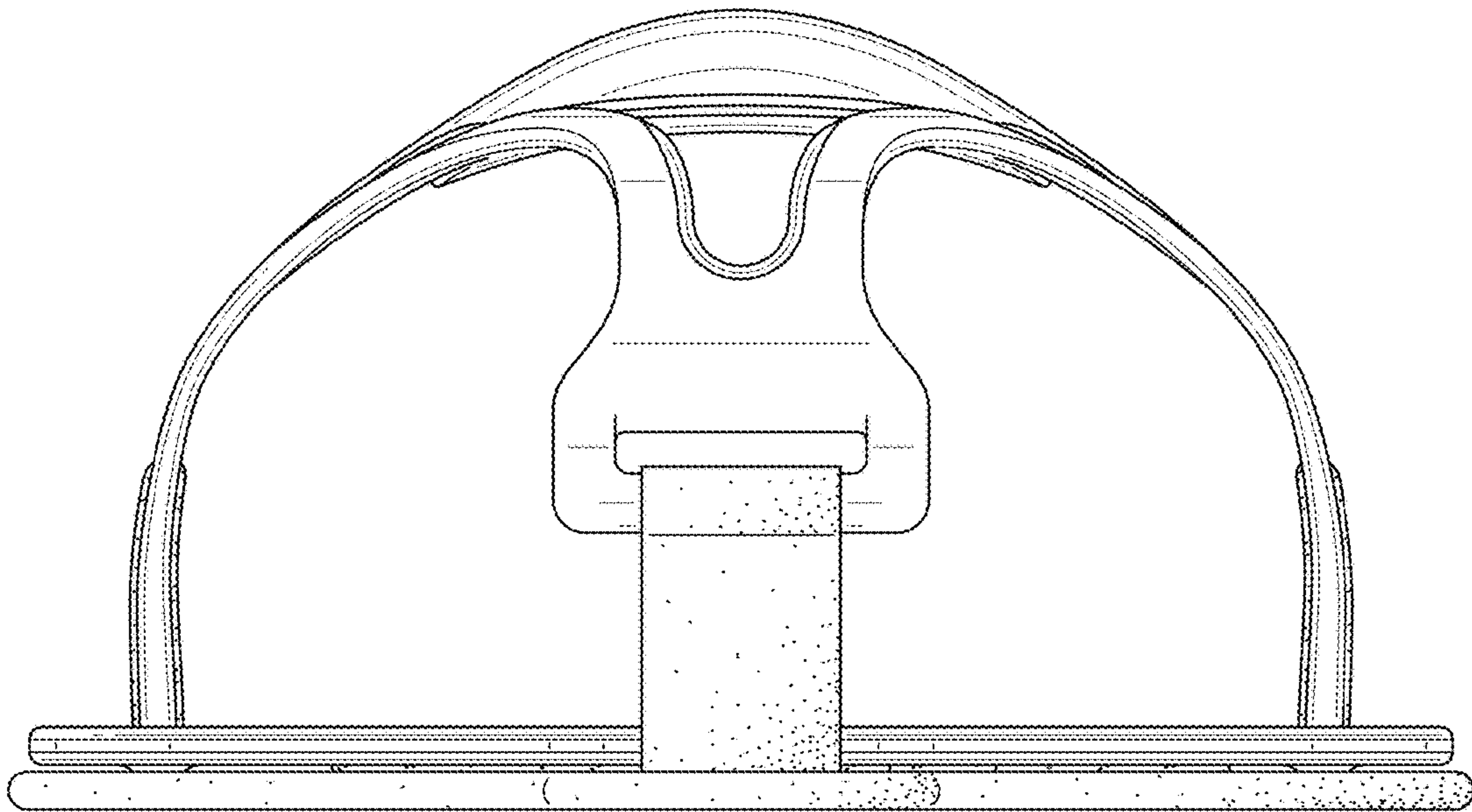


FIG. 14

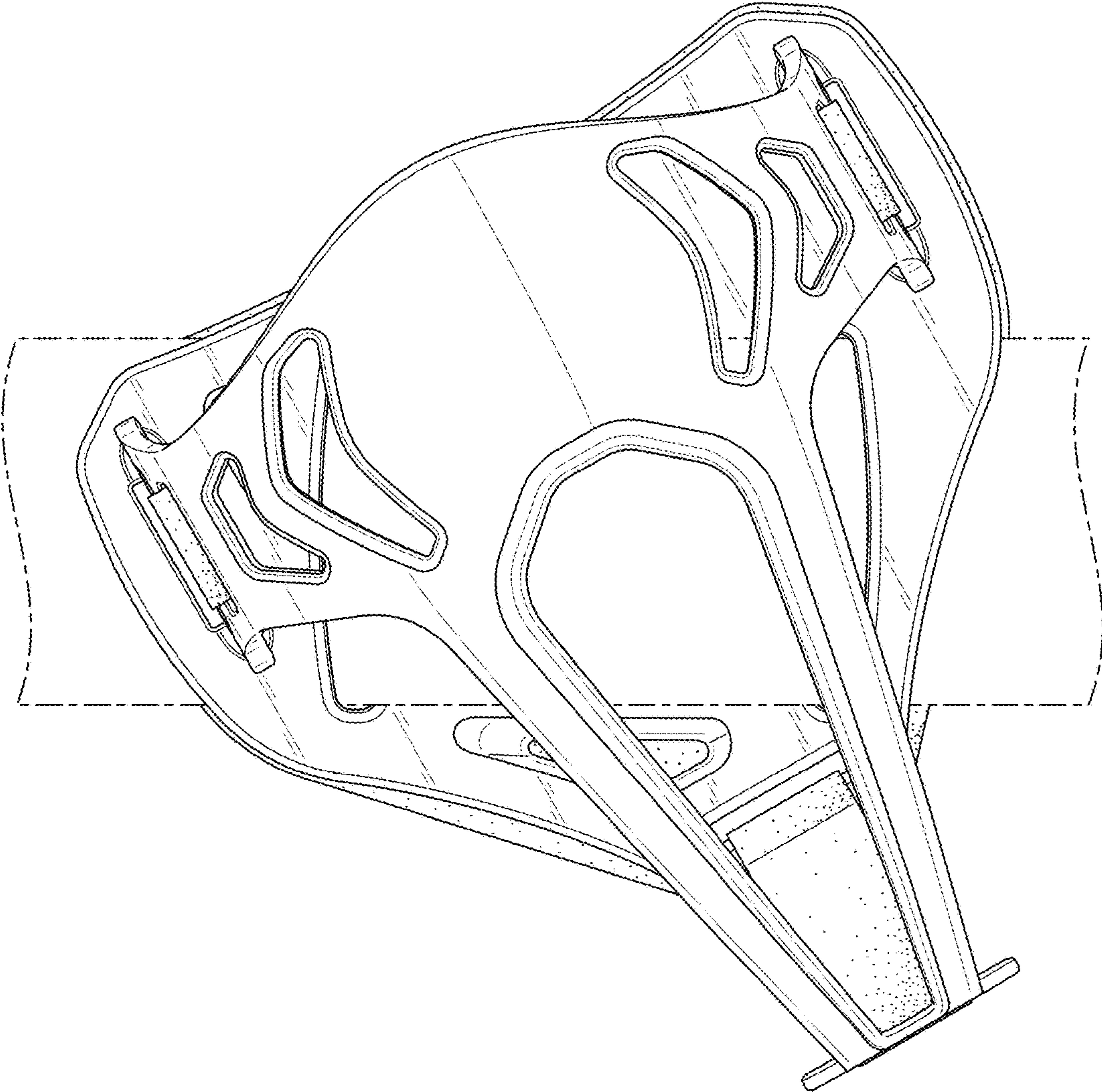


FIG. 15



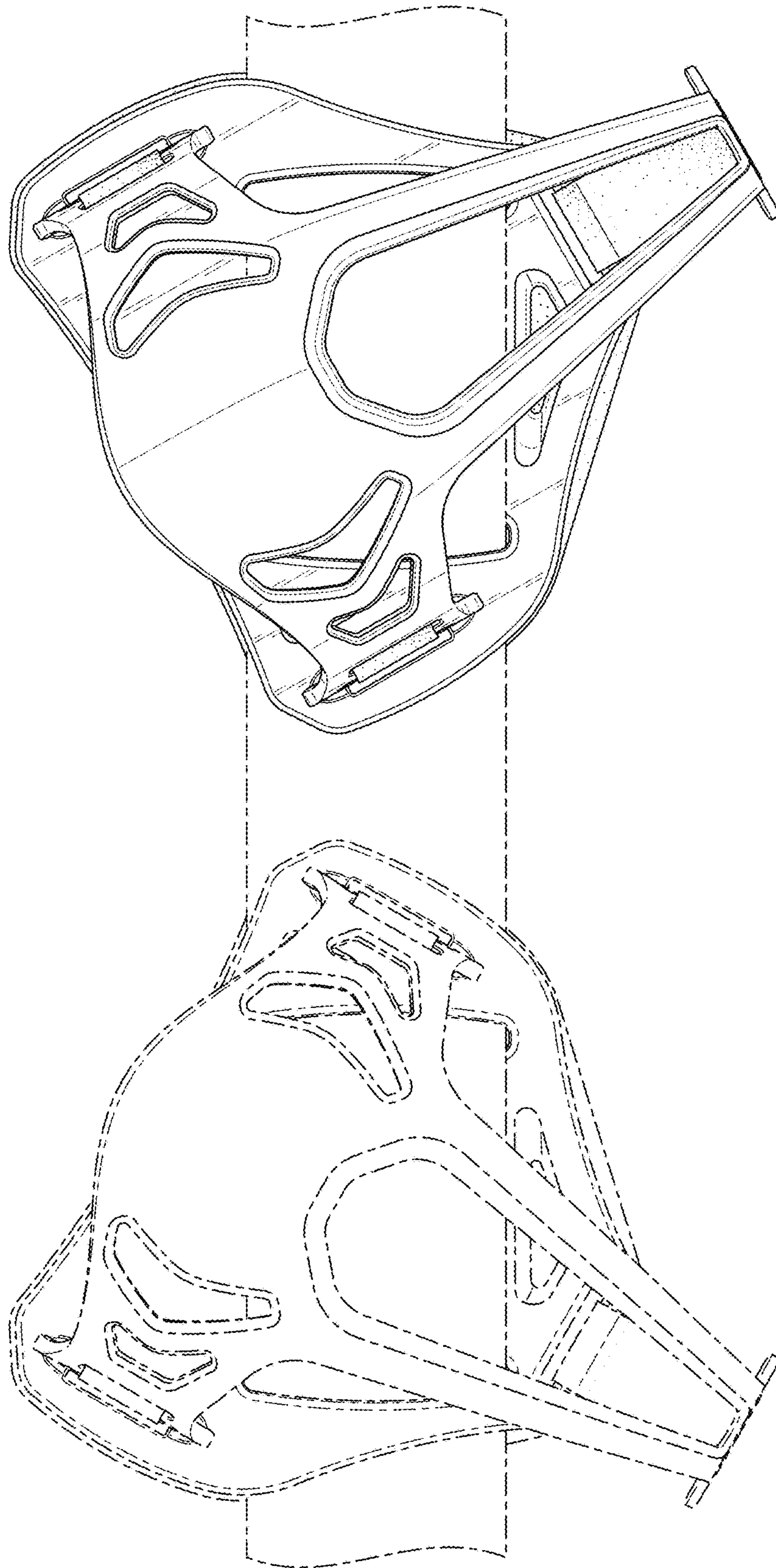


FIG. 16