



US00D815426S

(12) **United States Design Patent** (10) **Patent No.:** **US D815,426 S**
Duncan (45) **Date of Patent:** **** *Apr. 17, 2018**

- (54) **EMBROIDERY FLOSS STORAGE CARD**
- (71) Applicant: **Sherry L. Duncan**, St. Louis, MO (US)
- (72) Inventor: **Sherry L. Duncan**, St. Louis, MO (US)
- (*) Notice: This patent is subject to a terminal disclaimer.
- (**) Term: **14 Years**
- (21) Appl. No.: **29/508,036**
- (22) Filed: **Nov. 3, 2014**
- (51) **LOC (11) Cl.** **03-01**
- (52) **U.S. Cl.**
USPC **D3/20**
- (58) **Field of Classification Search**
USPC D3/18, 20, 21, 23, 26; D8/44, 356, 358,
D8/360.1; D28/66; 223/106
CPC D05B 91/14; D05B 59/00; D05B 65/06;
D05B 47/00; B65H 2701/31; B65H
75/06; D04B 3/06
See application file for complete search history.

- D347,989 S * 6/1994 DeWard D3/23
- D372,188 S * 7/1996 Van Dyke D8/358
- D424,389 S * 5/2000 Lindsey D3/18
- D461,115 S * 8/2002 Vassioukevitch D8/360.1
- D501,890 S * 2/2005 Lazaroff D20/10
- D576,867 S * 9/2008 Kretz D8/356
- D667,719 S * 9/2012 Wong D8/356
- D689,303 S * 9/2013 Davison D6/580

OTHER PUBLICATIONS

www.consumercrafts.com/store/details/catalog/basics-plastic-canvas/1080327g, printed from Internet Nov. 2, 2014.

* cited by examiner

Primary Examiner — John Windmuller

Assistant Examiner — Steven Czyz

(74) *Attorney, Agent, or Firm* — Grace J. Fishel

(57) **CLAIM**

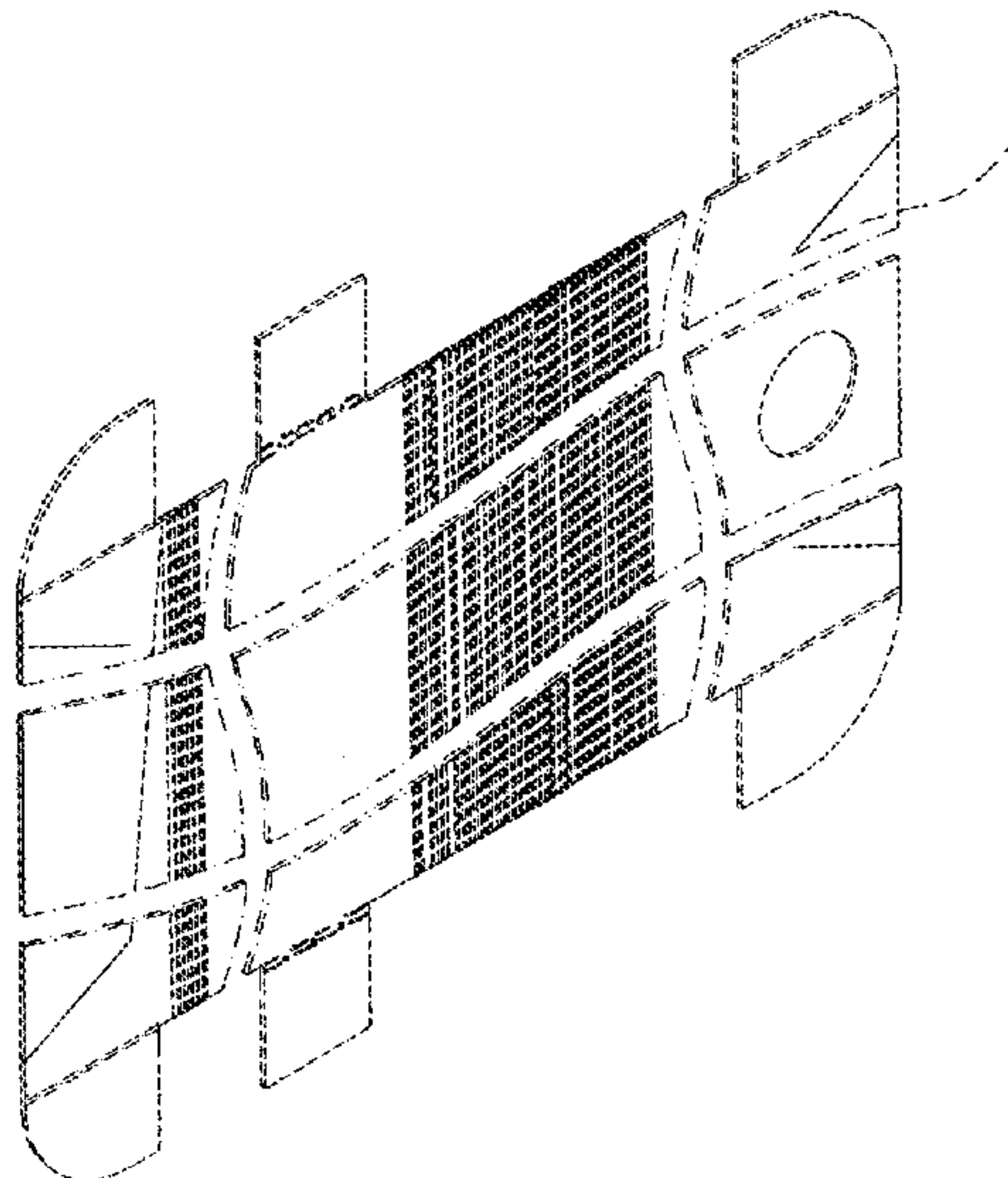
The ornamental design for an embroidery floss storage card, as shown.

DESCRIPTION

FIG. 1 is a perspective view of an embroidery floss storage card showing my new design in use;
 FIG. 2 is an top view thereof, the bottom view being a mirror image;
 FIG. 3 is a front plan view thereof, the rear plan view being a mirror image; and,
 FIG. 4 is a left end view thereof, the right end view being a mirror image.
 The dash-dot-dash straight lines on the article indicate the bounds of the claimed design and otherwise form no part of the claimed design.
 The broken lines depict portions of the article and environment that form no part of the claimed design.

1 Claim, 2 Drawing Sheets

- (56) **References Cited**
U.S. PATENT DOCUMENTS
250,430 A * 12/1881 Bertsche et al. B65D 85/04
206/388
2,287,368 A * 6/1942 Anderson B65H 75/06
242/404.2
2,317,914 A * 4/1943 McIntyre D04D 5/00
223/44
D236,657 S * 9/1975 Reeves et al. D20/22
D255,506 S * 6/1980 Eubanks D3/23
D265,863 S * 8/1982 McCarn D3/23
D266,630 S * 10/1982 O'Brien D3/26
D268,969 S * 5/1983 Stadtmiller D3/23
D276,942 S * 12/1984 Crews D28/66
D304,129 S * 10/1989 Thorpe D3/23
D334,249 S * 3/1993 Whittaker D28/66



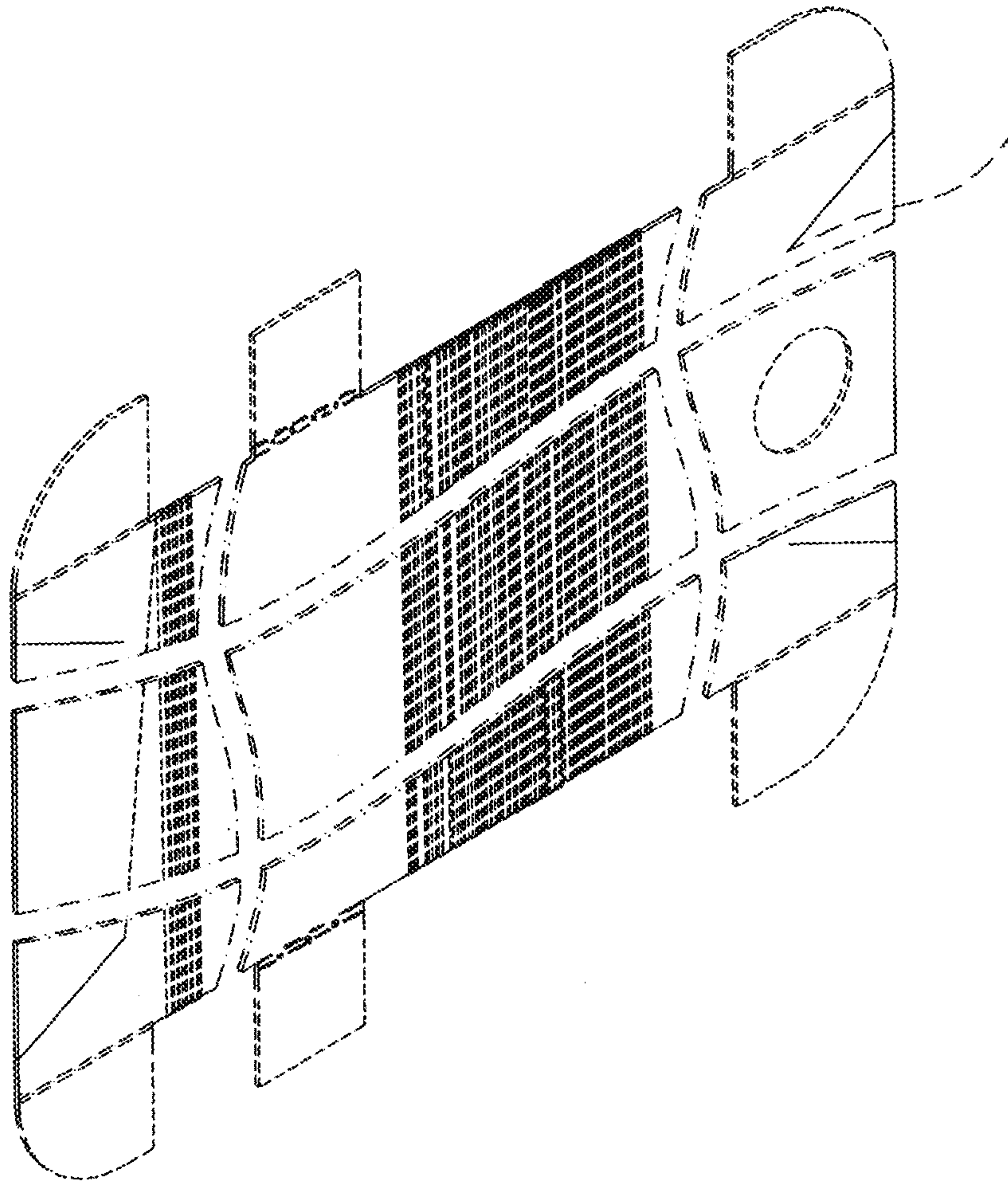


Fig. 1

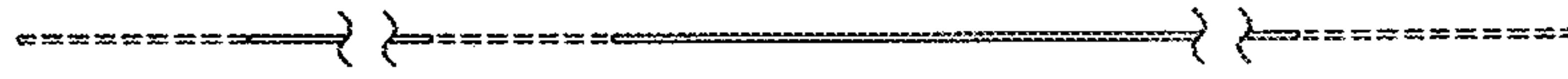


Fig. 3

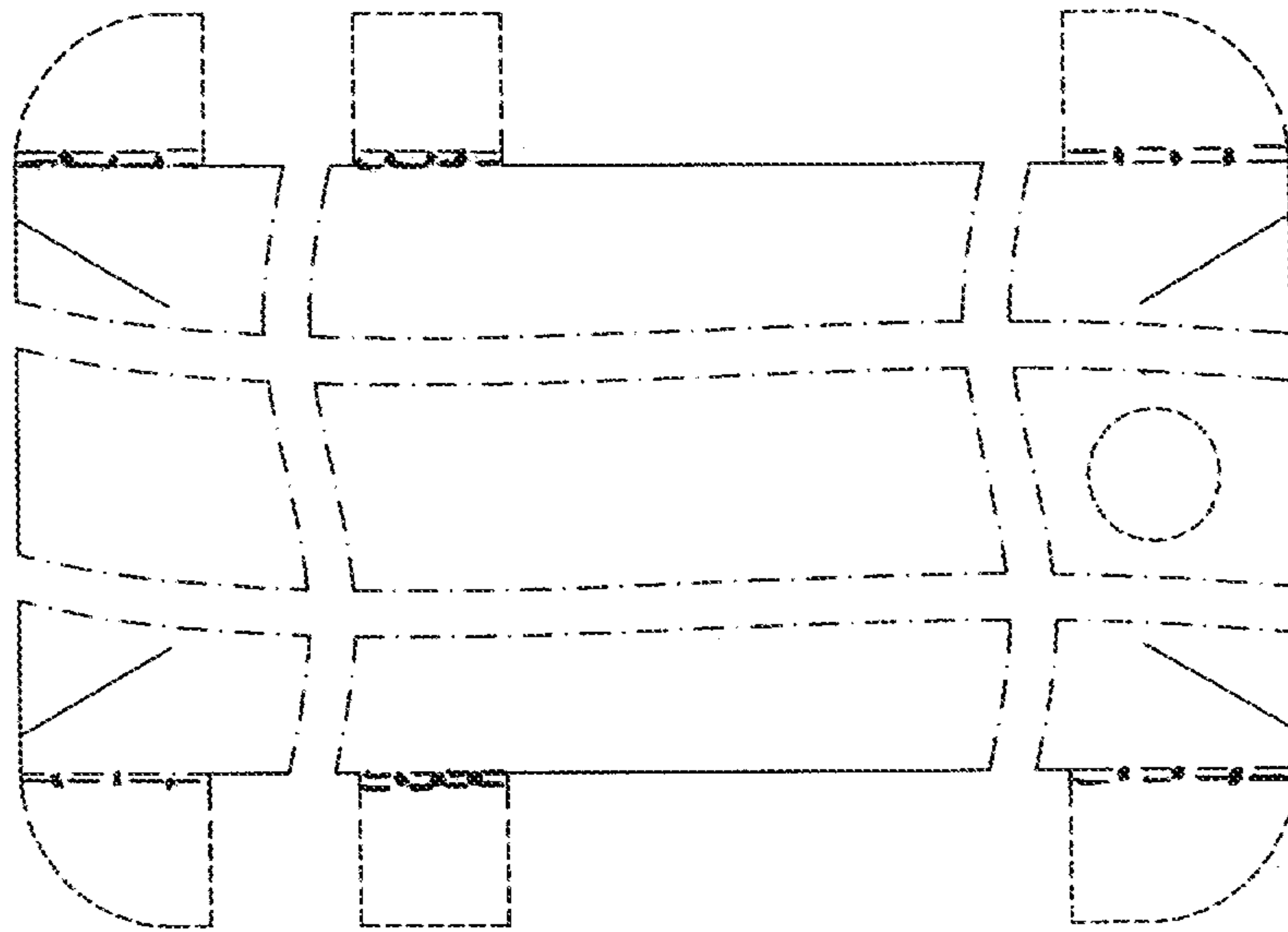


Fig. 2



Fig. 4