



US00D815409S

(12) **United States Design Patent**  
**Sokol**

(10) **Patent No.:** **US D815,409 S**  
(45) **Date of Patent:** **\*\* Apr. 17, 2018**

(54) **SHOE OUTSOLE**

(71) Applicant: **NIKE, Inc.**, Beaverton, OR (US)

(72) Inventor: **Matthew Sokol**, Portland, OR (US)

(73) Assignee: **NIKE, Inc.**, Beaverton, OR (US)

(\*\*) Term: **15 Years**

(21) Appl. No.: **29/613,899**

(22) Filed: **Aug. 14, 2017**

(51) **LOC (11) Cl.** ..... **02-04**

(52) **U.S. Cl.**

USPC ..... **D2/960**; D2/951; D2/953

(58) **Field of Classification Search**

USPC ..... D2/902, 906, 908, 916, 918, 925,  
D2/946-962, 977; 36/3 B, 22 R, 24.5,  
36/25 R, 28, 32 R, 34 R, 59 C, 67 A, 103  
CPC ..... A43B 13/00; A43B 13/02; A43B 13/023;  
A43B 13/026; A43B 13/04; A43B 13/08;  
A43B 13/10; A43B 13/12; A43B 13/14;  
A43B 13/141; A43B 13/143; A43B  
13/16; A43B 13/18; A43B 13/181; A43B  
13/187; A43B 13/189; A43B 13/20; A43B  
13/22; A43B 13/223; A43B 13/24; A43B  
13/28; A43B 13/30; A43B 13/32; A43B  
13/34; A43B 13/36

See application file for complete search history.

(56) **References Cited**

**U.S. PATENT DOCUMENTS**

D35,630 S	1/1902	Busky	
D52,217 S	7/1918	Haynes	
D157,550 S *	2/1950	Walls	D2/949
D163,956 S *	7/1951	Capdevila	D2/960
D185,462 S *	6/1959	Ratner	36/32 R
2,928,192 A *	3/1960	Green	A43B 13/223 36/28
3,299,544 A *	1/1967	Hack	A43B 21/26 36/59 R
D308,286 S	6/1990	Austin	

D321,275 S *	11/1991	Austin	D2/957
D321,778 S	11/1991	Austin	
D332,345 S	1/1993	Duffy et al.	
D334,282 S	3/1993	Greene	
D337,877 S	8/1993	Lucarelli et al.	
D341,246 S	11/1993	Lucarelli et al.	
D363,815 S	11/1995	Lucarelli	
D385,391 S	10/1997	Hawker	

(Continued)

**OTHER PUBLICATIONS**

Nike Footwear Catalog, 1992 Fall Footwear, p. 32, published Dec. 1991, NIKE, Inc., USA.

(Continued)

*Primary Examiner* — T. Chase Nelson

(74) *Attorney, Agent, or Firm* — Banner & Witcoff, Ltd.

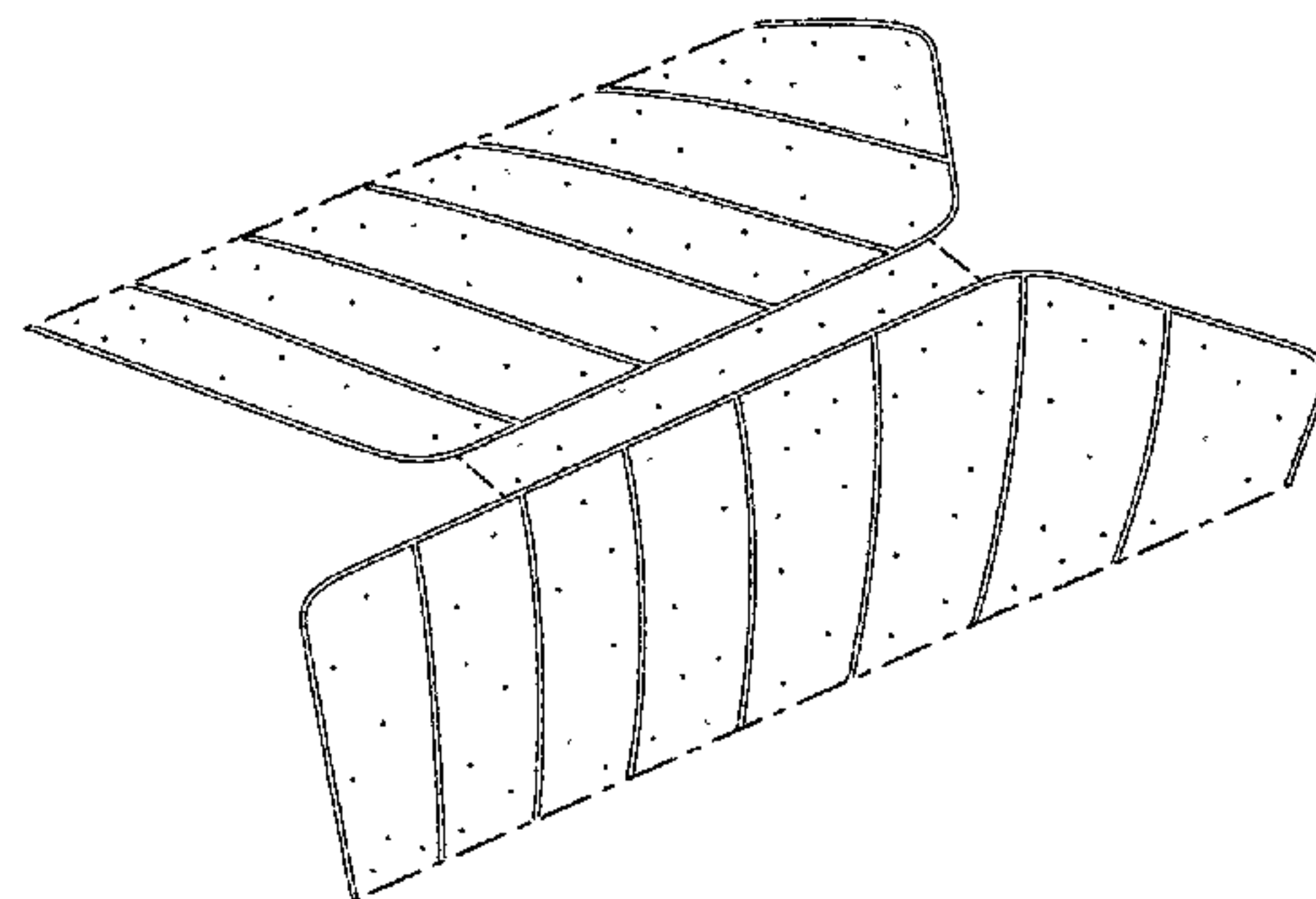
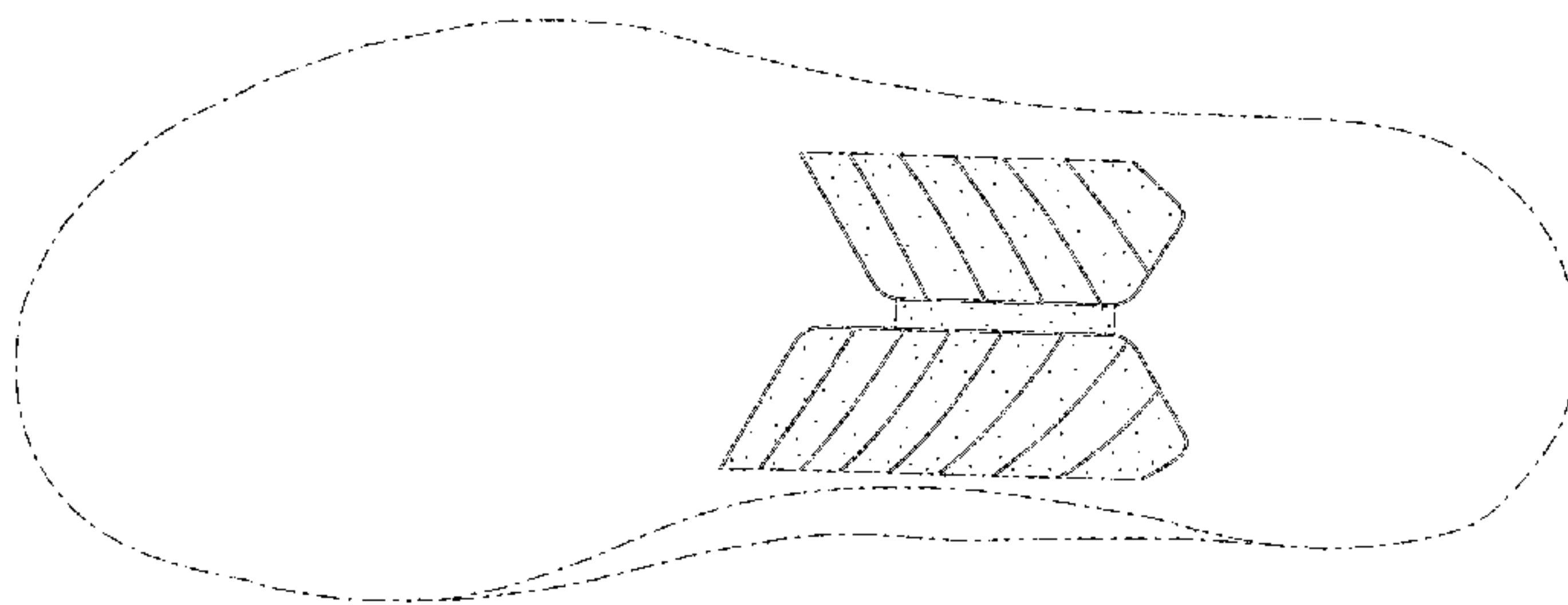
(57) **CLAIM**

The ornamental design for a shoe outsole, as shown and described.

**DESCRIPTION**

FIG. 1 is a front perspective view of a shoe outsole showing my new design;  
FIG. 2 is a bottom view thereof;  
FIG. 3 is a rear perspective view thereof;  
FIG. 4 is an enlarged view of FIG. 1 with environmental portions removed for clarity;  
FIG. 5 is an enlarged view of FIG. 2 with environmental portions removed for clarity; and,  
FIG. 6 is an enlarged view of FIG. 3 with environmental portions removed for clarity.  
The broken lines immediately adjacent to the shaded area define the bounds of the claimed design and form no part thereof. The broken lines showing the remainder of the shoe represent unclaimed subject matter and form no part of the claimed design.

**1 Claim, 6 Drawing Sheets**



(56)

References Cited

U.S. PATENT DOCUMENTS

D394,142	S *	5/1998	Merceron .....	D2/959
D394,741	S *	6/1998	Gaudio .....	D2/953
D394,947	S *	6/1998	Avar .....	D2/960
D395,743	S *	7/1998	Ryan .....	D2/953
D414,919	S	10/1999	Begg, II et al.	
D421,832	S	3/2000	Loveder	
D428,688	S	8/2000	Egelja et al.	
6,202,325	B1 *	3/2001	Kim .....	A43B 3/105 36/11.5
6,773,785	B1 *	8/2004	Huang .....	A43B 5/0407 36/29
D496,776	S *	10/2004	Wu .....	D2/953
D500,914	S *	1/2005	Ammon .....	D2/947
D507,696	S *	7/2005	Robbins .....	D2/951
D515,790	S	2/2006	Romano et al.	
D523,614	S	6/2006	Mitchell	
D544,185	S	6/2007	Lupo	
D546,036	S *	7/2007	Schoenborn .....	D2/953
D555,888	S *	11/2007	Le .....	D2/957
D569,595	S *	5/2008	Le .....	D2/957
D571,988	S *	7/2008	Dillenbeck .....	D2/953
D574,133	S *	8/2008	Le .....	D2/951
D574,585	S *	8/2008	Wilken .....	D2/951
D580,638	S *	11/2008	McClaskie .....	D2/951
D584,887	S *	1/2009	Earle .....	D2/951
D682,517	S	5/2013	Taylor	
D690,090	S *	9/2013	Chang .....	D2/951
D710,079	S *	8/2014	Tucker .....	D2/951
D724,302	S *	3/2015	Hansen .....	D2/951
D735,983	S	8/2015	Cietto	
D790,185	S	6/2017	Sokol	
2005/0278979	A1 *	12/2005	Bramani .....	A43B 5/145 36/59 R
2011/0185593	A1 *	8/2011	Ramos .....	A43B 13/145 36/103
2017/0035143	A1 *	2/2017	Sato .....	A43B 7/143
2017/0150782	A1 *	6/2017	Moriyasu .....	A43B 13/223

OTHER PUBLICATIONS

Nike Footwear Catalog, 1992 Fall Footwear, p. 38, published Dec. 1991, NIKE, Inc., USA.  
 Nike Footwear Catalog, 1993 Holiday Footwear, p. 18, published Mar. 1993, NIKE, Inc., USA.  
 Nike Footwear Catalog, 1994 Fall Footwear, p. 26, published Nov. 1993, NIKE, Inc., USA.

Nike Footwear Catalog, 1994 Fall Footwear, p. 114, published Nov. 1993, NIKE, Inc., USA.  
 Nike Footwear Catalog, 1994 Late Spring Footwear, p. 28, published Sep. 1993, NIKE, Inc., USA.  
 Nike Footwear Catalog, 1994 Spring Footwear, p. 46, published Jun. 1993, NIKE, Inc., USA.  
 Nike Footwear Catalog, 1995 Late Spring Footwear, p. 79, published Sep. 1994, NIKE, Inc., USA.  
 Nike Footwear Catalog, 1996 Spring Footwear, p. 172, published Jun. 1995, NIKE, Inc., USA.  
 Nike Footwear Catalog, 1998 Fall Men's Specialty and Women's & Kids' Footwear, p. W19, published Dec. 1997, NIKE, Inc., USA.  
 Nike Footwear Catalog, 1998 Late Fall Footwear, p. 96, published Mar. 1998, NIKE, Inc., USA.  
 Nike Footwear Catalog, 1998 Late Spring Footwear, p. 34, published Sep. 1997, NIKE, Inc., USA.  
 Nike Footwear Catalog, 1999 Fall Men's and Women's Footwear, p. M42, published Nov. 1998, NIKE, Inc., USA.  
 Nike Footwear Catalog, 1999 Holiday Men's and Women's Footwear, p. W55, published Mar. 1999, NIKE, Inc., USA.  
 Nike Footwear Catalog, 2000 Spring Men's and Women's Footwear 1, p. 50, published Jul. 1999, NIKE, Inc., USA.  
 Nike Footwear Catalog, 2001 Fall Men's and Women's Footwear, p. 40, published Nov. 2000, NIKE, Inc., USA.  
 Nike Footwear Catalog, 2001 Late Spring Men's and Women's Footwear (red cover), p. 20, published Sep. 2000, NIKE, Inc., USA.  
 Nike Footwear Catalog, 2001 Spring Men's and Women's Footwear (white shoes), p. 50, published Jun. 2000, NIKE, Inc., USA.  
 Nike Footwear Catalog, 2002 Late Spring Men's and Women's Footwear, p. 33, published Sep. 2001, NIKE, Inc., USA.  
 Nike Footwear Catalog, 2002 Spring Men's and Women's Footwear, p. 14, published Jun. 2001, NIKE, Inc., USA.  
 Nike Footwear Catalog, 2003 Fall Men's and Women's Footwear, p. 29, published Nov. 2002, NIKE, Inc., USA.  
 Nike Footwear Catalog, 2003 Fall Men's and Women's Footwear, p. 43, published Nov. 2002, NIKE, Inc., USA.  
 Nike Footwear Catalog, 2005 Spring Men's, Women's, Boys, and Girl's Footwear, p. 18, published Jun. 2004, NIKE, Inc., USA.  
 Nike Footwear Catalog, 2006 Spring Men's, Women's, and Kid's Footwear, p. 92, published date unknown, but prior to the filing date of the present application, NIKE, Inc., USA.  
 Nike Footwear Catalog, 2006 Spring Men's, Women's, and Kid's Footwear, p. 214, published date unknown, but prior to the filing date of the present application, NIKE, Inc., USA.

\* cited by examiner

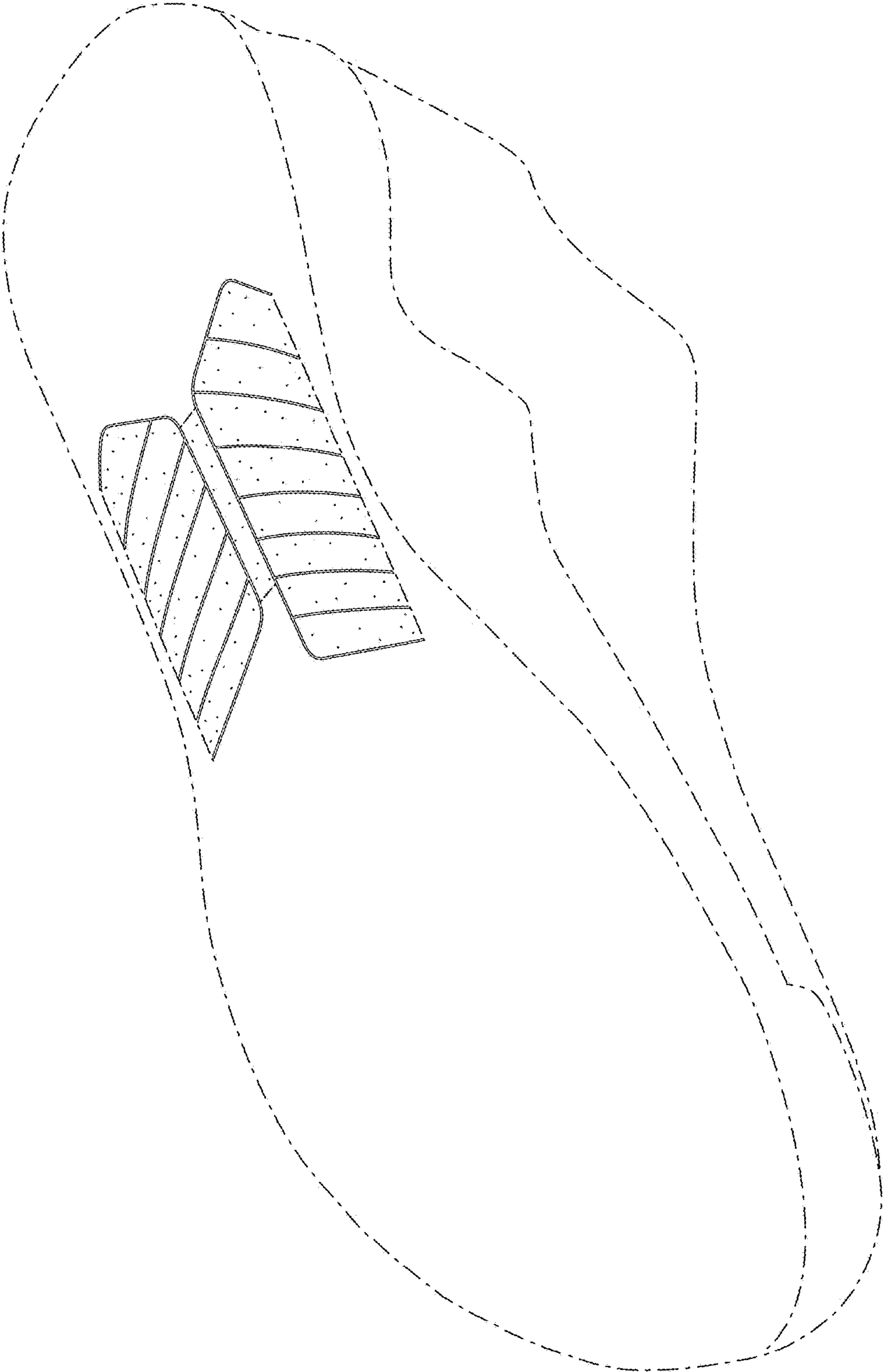


FIG. 1



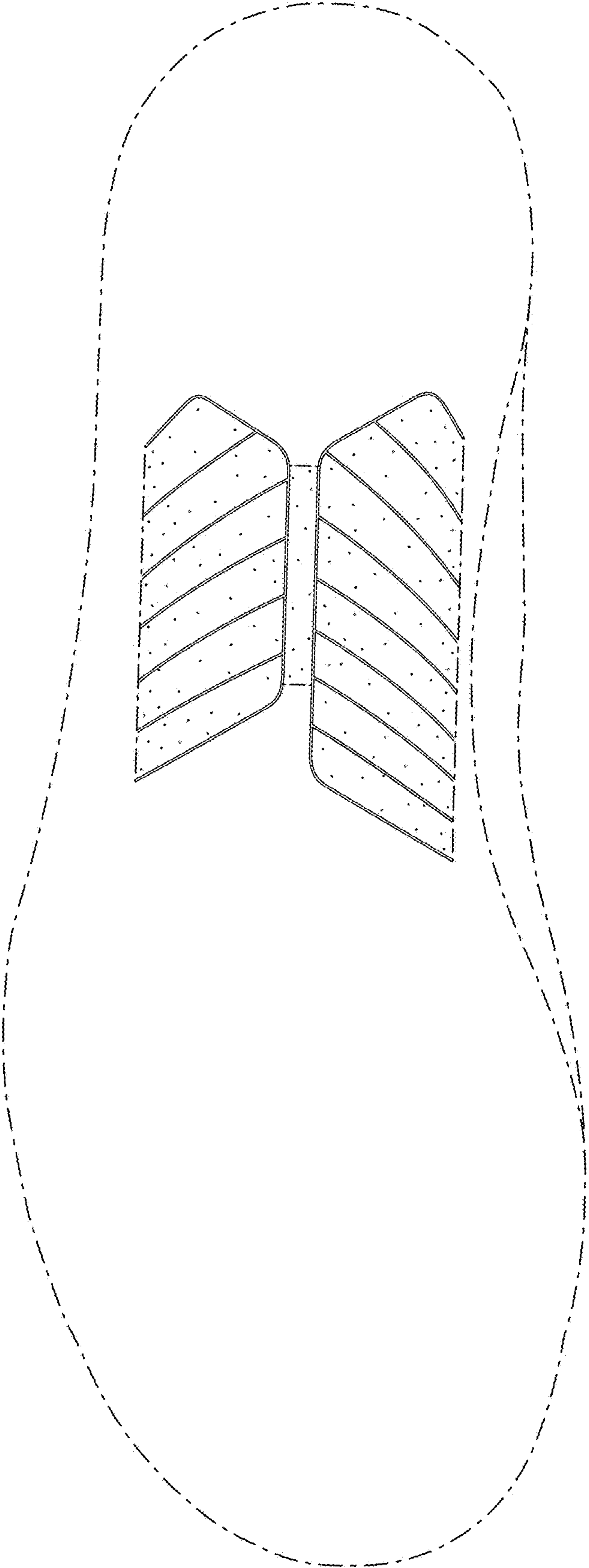


FIG. 2

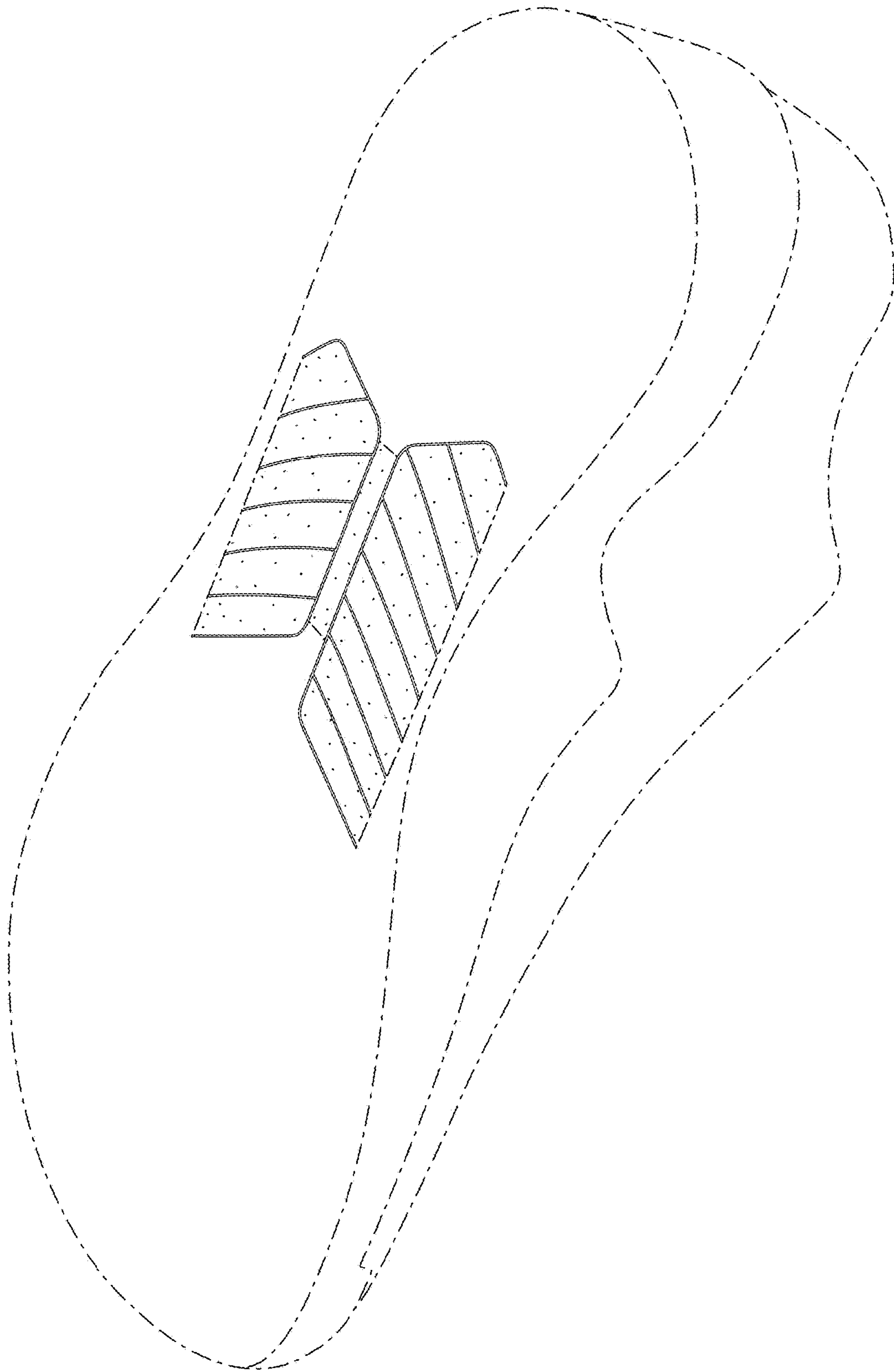


FIG. 3

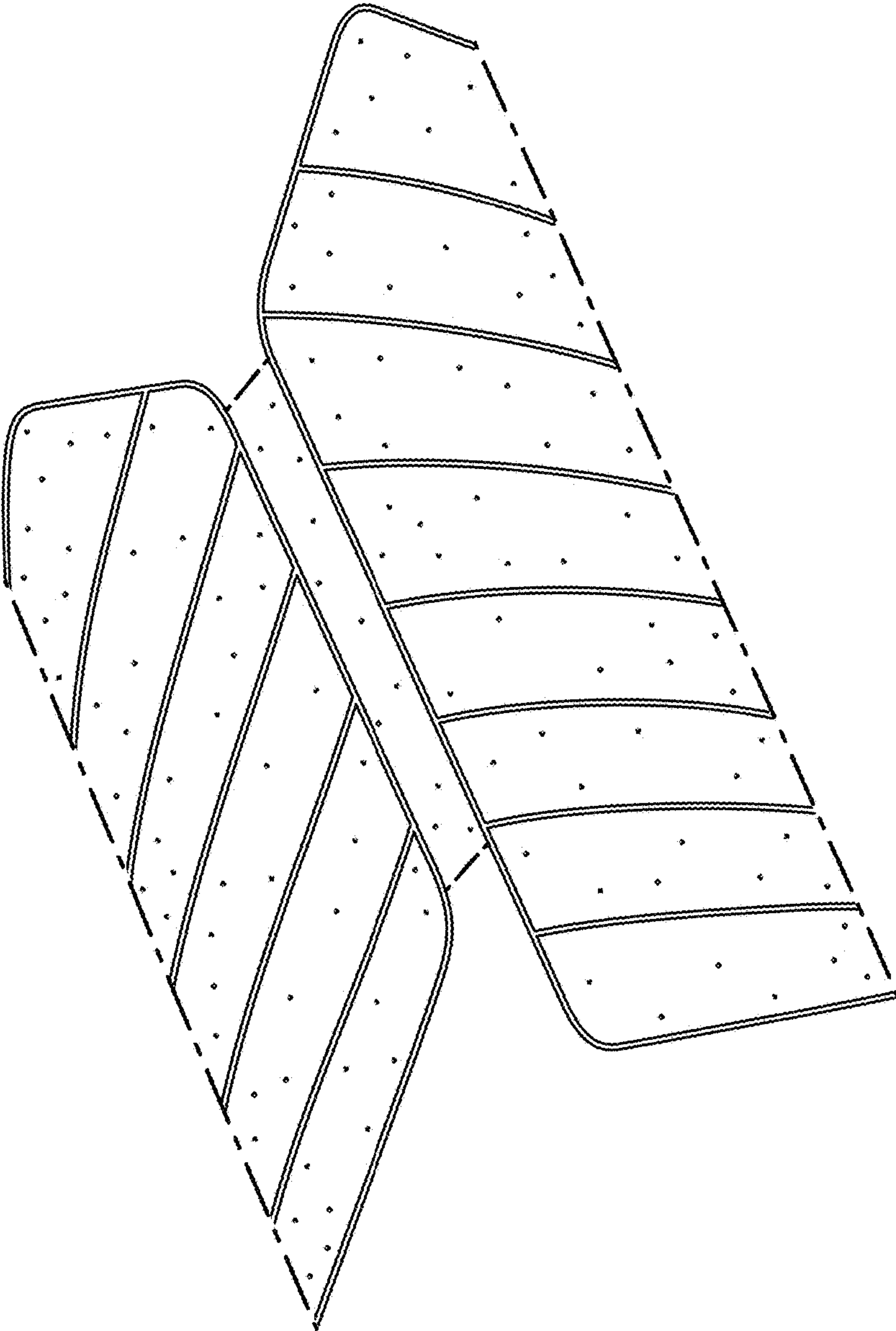


FIG. 4

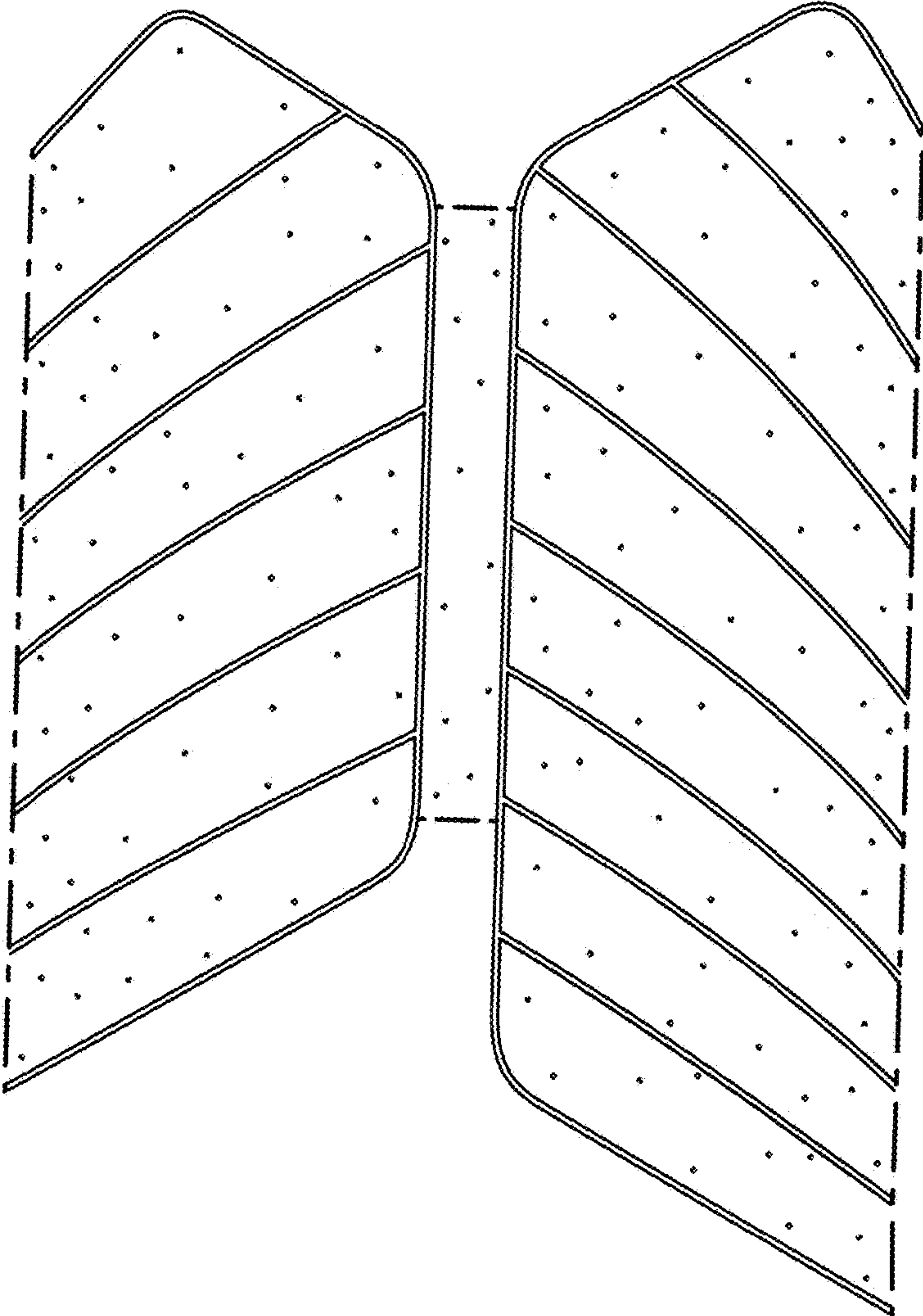


FIG. 5

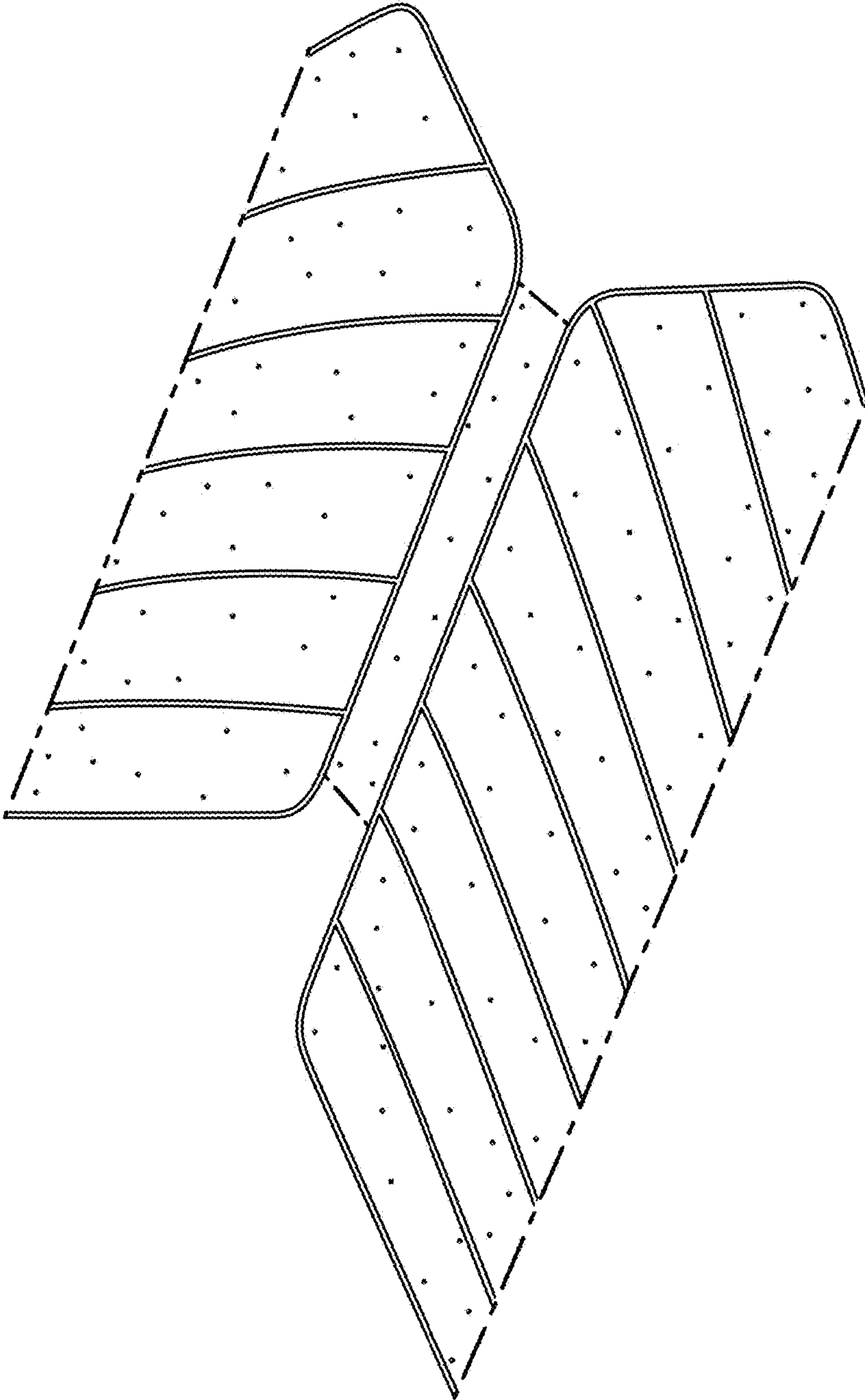


FIG. 6