

US00D815404S

(12) **United States Design Patent**
Hernandez

(10) **Patent No.:** **US D815,404 S**
(45) **Date of Patent:** **** Apr. 17, 2018**

(54) **SHOE OUTSOLE**

(71) Applicant: **NIKE, Inc.**, Beaverton, OR (US)

(72) Inventor: **Rolando Hernandez**, Portland, OR (US)

(73) Assignee: **NIKE, Inc.**, Beaverton, OR (US)

(**) Term: **15 Years**

(21) Appl. No.: **29/613,732**

(22) Filed: **Aug. 12, 2017**

(51) **LOC (11) Cl.** **02-04**

(52) **U.S. Cl.**
USPC **D2/957**; D2/951; D2/960

(58) **Field of Classification Search**
USPC D2/902, 906, 908, 916, 918, 925,
D2/946-962, 977; 36/3 B, 22 R, 24.5,
36/25 R, 28, 32 R, 34 R, 59 C, 67 A, 103
CPC A43B 13/00; A43B 13/02; A43B 13/023;
A43B 13/026; A43B 13/04; A43B 13/08;
A43B 13/10; A43B 13/12; A43B 13/14;
A43B 13/141; A43B 12/143; A43B
13/16; A43B 13/18; A43B 13/181; A43B
13/187; A43B 13/189; A43B 13/20; A43B
13/22; A43B 13/223; A43B 13/24; A43B
13/28; A43B 13/30; A43B 13/32; A43B
13/34; A43B 13/36

See application file for complete search history.

(56) **References Cited**

U.S. PATENT DOCUMENTS

D275,147 S	8/1984	Phillpott	
D319,143 S	8/1991	Kiyosawa	
D394,741 S *	6/1998	Gaudio	D2/953
D395,743 S *	7/1998	Ryan	D2/953
D420,786 S *	2/2000	Ramer	D2/947
6,202,325 B1 *	3/2001	Kim	A43B 3/105 36/11.5
D447,855 S	9/2001	Bramani	

D473,367 S	4/2003	Wilson	
D477,129 S	7/2003	Ramer	
6,773,785 B1 *	8/2004	Huang	A43B 5/0407 36/29
D547,934 S *	8/2007	Loverin	D2/953
D571,988 S *	7/2008	Dillenbeck	D2/953
D643,196 S	8/2011	Young	

(Continued)

OTHER PUBLICATIONS

2014 Fall City Specialty Footwear Best Final, 2014 Fall City Specialty Footwear Best Final, p. 88, published Nov. 1, 2013, NIKE, Inc., USA.

(Continued)

Primary Examiner — T. Chase Nelson
(74) *Attorney, Agent, or Firm* — Banner & Witcoff, Ltd.

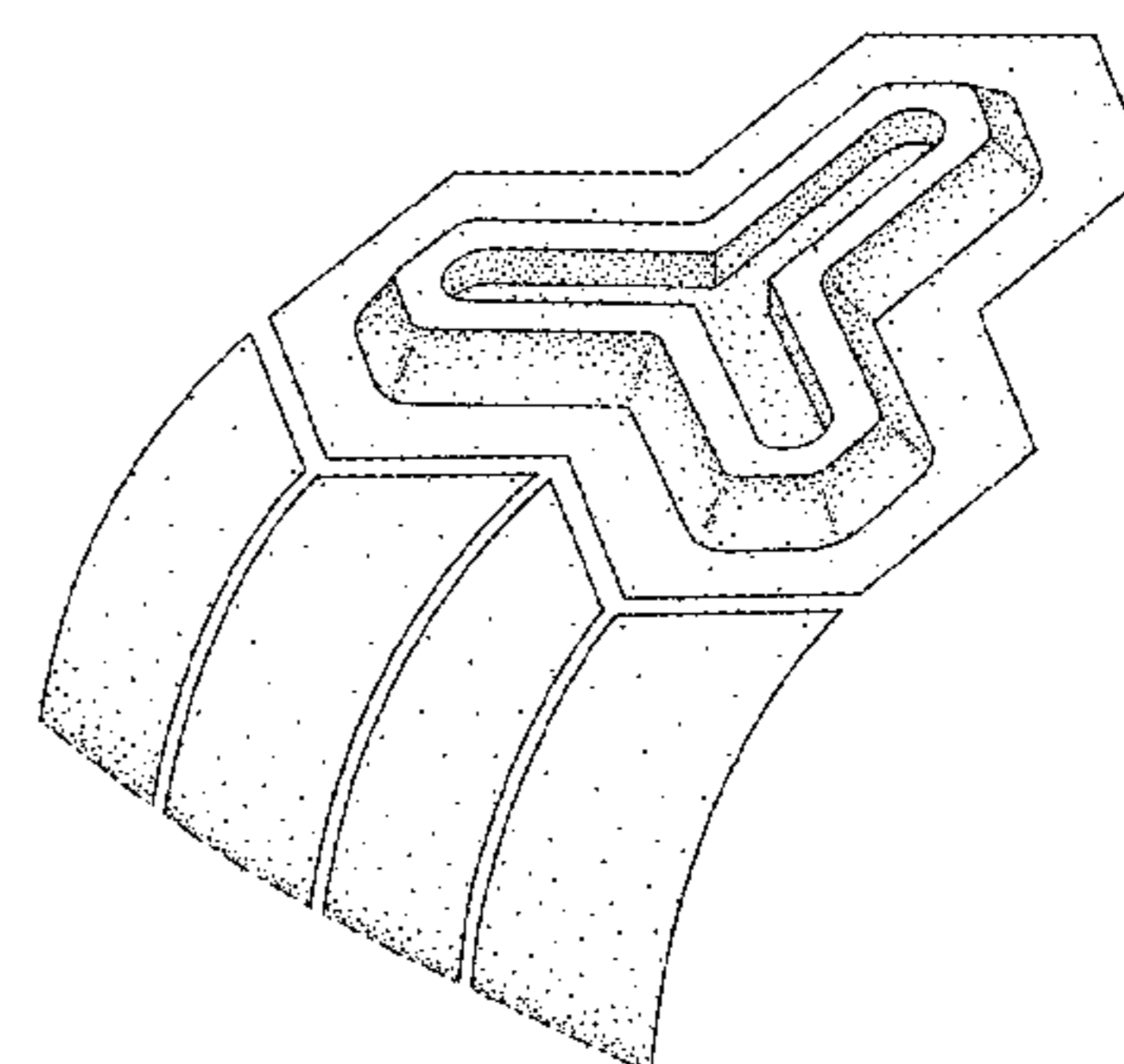
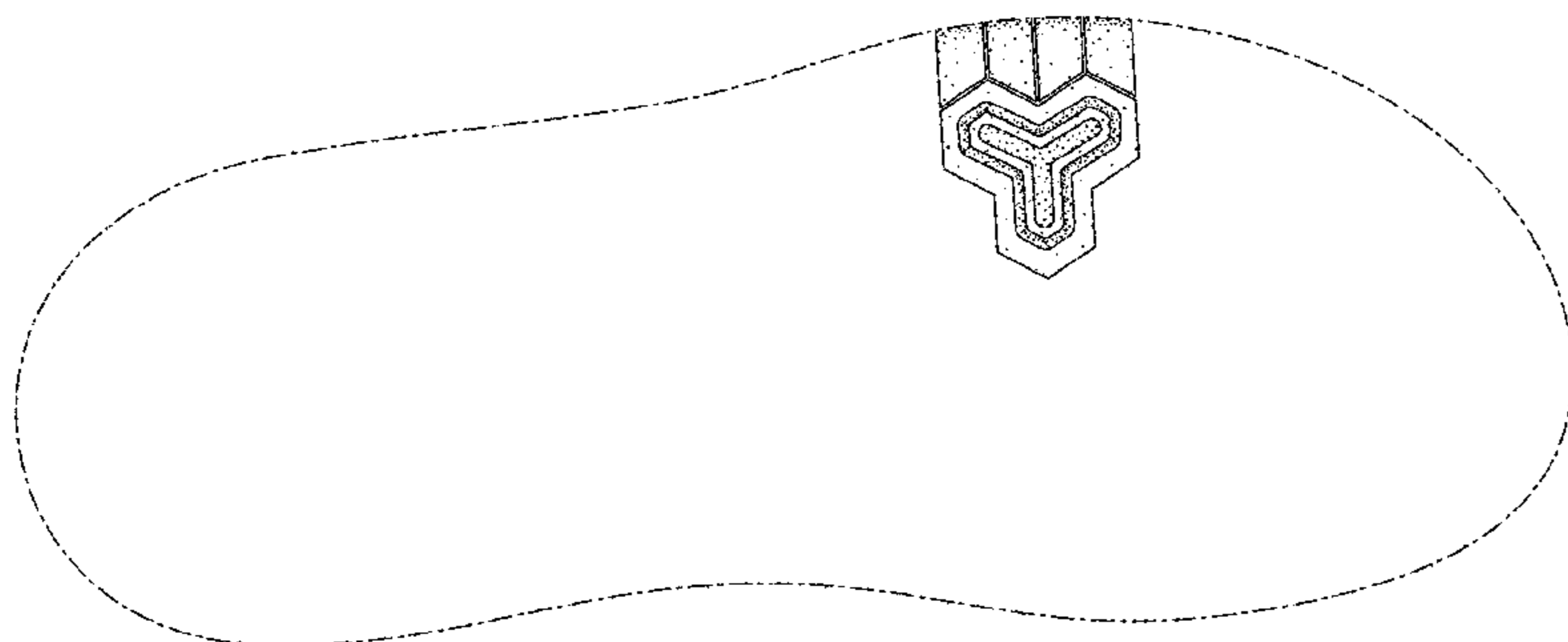
(57) **CLAIM**

The ornamental design for a shoe outsole, as shown and described.

DESCRIPTION

FIG. 1 is a rear perspective view of a shoe outsole showing my new design;
FIG. 2 is a bottom view thereof;
FIG. 3 is a front perspective view thereof;
FIG. 4 is an enlarged view of FIG. 1 with environmental portions removed for clarity
FIG. 5 is an enlarged view of FIG. 2 with environmental portions removed for clarity; and,
FIG. 6 is an enlarged view of FIG. 3 with environmental portions removed for clarity.
The broken lines immediately adjacent to the shaded area define the bounds of the claimed design and form no part thereof. The broken lines showing the remainder of the shoe represent unclaimed subject matter and form no part of the claimed design. The unshaded region between the shaded areas forms no part of the claimed design.

1 Claim, 6 Drawing Sheets



(56)

References Cited

U.S. PATENT DOCUMENTS

D644,826 S 9/2011 Portzline
 D667,207 S 9/2012 Funck
 D669,256 S 10/2012 Castellon
 D707,935 S * 7/2014 Williams, Jr. D2/951
 D712,128 S 9/2014 Zaedow
 D714,039 S 9/2014 Miner
 D716,027 S * 10/2014 Kirschner D2/951
 D717,034 S * 11/2014 Bramani D2/951
 D721,476 S 1/2015 Harlow et al.
 D721,477 S 1/2015 O'Connor
 D723,777 S * 3/2015 Cin D2/951
 D730,021 S * 5/2015 Conchieri D2/902
 D732,282 S 6/2015 Ringholz
 D778,560 S * 2/2017 O'Connor D2/951
 D778,563 S 2/2017 Kanata
 D780,418 S 3/2017 Lee
 D782,789 S * 4/2017 O'Connor D2/947
 D782,795 S 4/2017 Cin et al.
 D782,796 S 4/2017 Cin et al.
 D782,797 S 4/2017 Cin et al.
 D782,798 S 4/2017 Cin et al.
 D783,964 S 4/2017 Kanata
 D783,967 S * 4/2017 O'Connor D2/951
 D783,968 S * 4/2017 O'Connor D2/951
 D783,969 S 4/2017 Kanata
 D783,970 S 4/2017 Kanata
 D783,972 S 4/2017 O'Connor
 D787,168 S 5/2017 O'Connor
 D788,417 S * 6/2017 Cin D2/947
 D789,058 S * 6/2017 Pierone D2/958
 D790,180 S * 6/2017 Little D2/951
 D790,822 S * 7/2017 Schenone D2/958
 D792,070 S 7/2017 Lee
 D793,052 S * 8/2017 Cin D2/951
 D802,900 S * 11/2017 Ford D2/959
 D805,746 S * 12/2017 Vega D2/957
 2015/0075033 A1 * 3/2015 Cross A43B 13/22
 36/103
 2015/0245685 A1 * 9/2015 Cross A43B 13/187
 36/104

2015/0342300 A1 * 12/2015 Cin A43B 17/003
 36/103
 2016/0007681 A1 * 1/2016 Langvin A43B 5/00
 36/103
 2016/0095385 A1 * 4/2016 Nordstrom A43B 13/181
 36/29
 2016/0219979 A1 * 8/2016 Wright A43B 13/14
 2017/0042284 A1 * 2/2017 Lawless A43B 3/0073
 2017/0042285 A1 * 2/2017 Lawless A43B 13/181
 2017/0105478 A1 * 4/2017 Cross A43B 13/141
 2017/0224052 A1 * 8/2017 Lawless A43B 13/141
 2017/0238648 A1 * 8/2017 Farris A43B 3/0078
 2017/0238652 A1 * 8/2017 Langvin A43B 13/04
 2017/0258178 A1 * 9/2017 Cross A43B 13/125
 2017/0332731 A1 * 11/2017 Wright A43C 15/16

OTHER PUBLICATIONS

2015 Spring Men's Performance Footwear, 2015 Spring Men's Performance Footwear, p. 47, published May 14, 2014, NIKE, Inc., USA.
 2016 Spring Strategic Sporting Goods Footwear NA, 2016 Spring Strategic Sporting Goods Footwear NA, p. 160, published Aug. 1, 2014, NIKE, Inc., USA.
 2017 Spring Territory Sporting Goods Footwear Best NA, 2017 Spring Territory Sporting Goods Footwear Best NA, p. 16, published Aug. 1, 2014, NIKE, Inc., USA.
 Nike Made a Free Running Shoe That Doesn't Have a Thin Sole [online], [retrieved Sep. 5, 2017] Retrieved 'from Complex.com [Internet] <URL: <http://www.complex.com/sneakers/2015/11/nike-free-rn-distance>>; 5 color sheets, Dated Nov. 20, 2015.
 Nike Free RN Motion Flyknit Evolves the Nike Free Legacy [online], [retrieved Sep. 20, 2017] Retrieved from News.nike.com [Internet] <URL: <https://news.nike.com/news/free-run-motion-flyknit>>; 3 color sheets, Dated Mar. 16, 2016.
 The New Dimensions of Nike Free [online], [retrieved Sep. 20, 2017] Retrieved from News.nike.com [Internet] <URL: <https://news.nike.com/news/nike-free-2016-running-training>>; 10 color sheets, Dated Apr. 5, 2016.

* cited by examiner

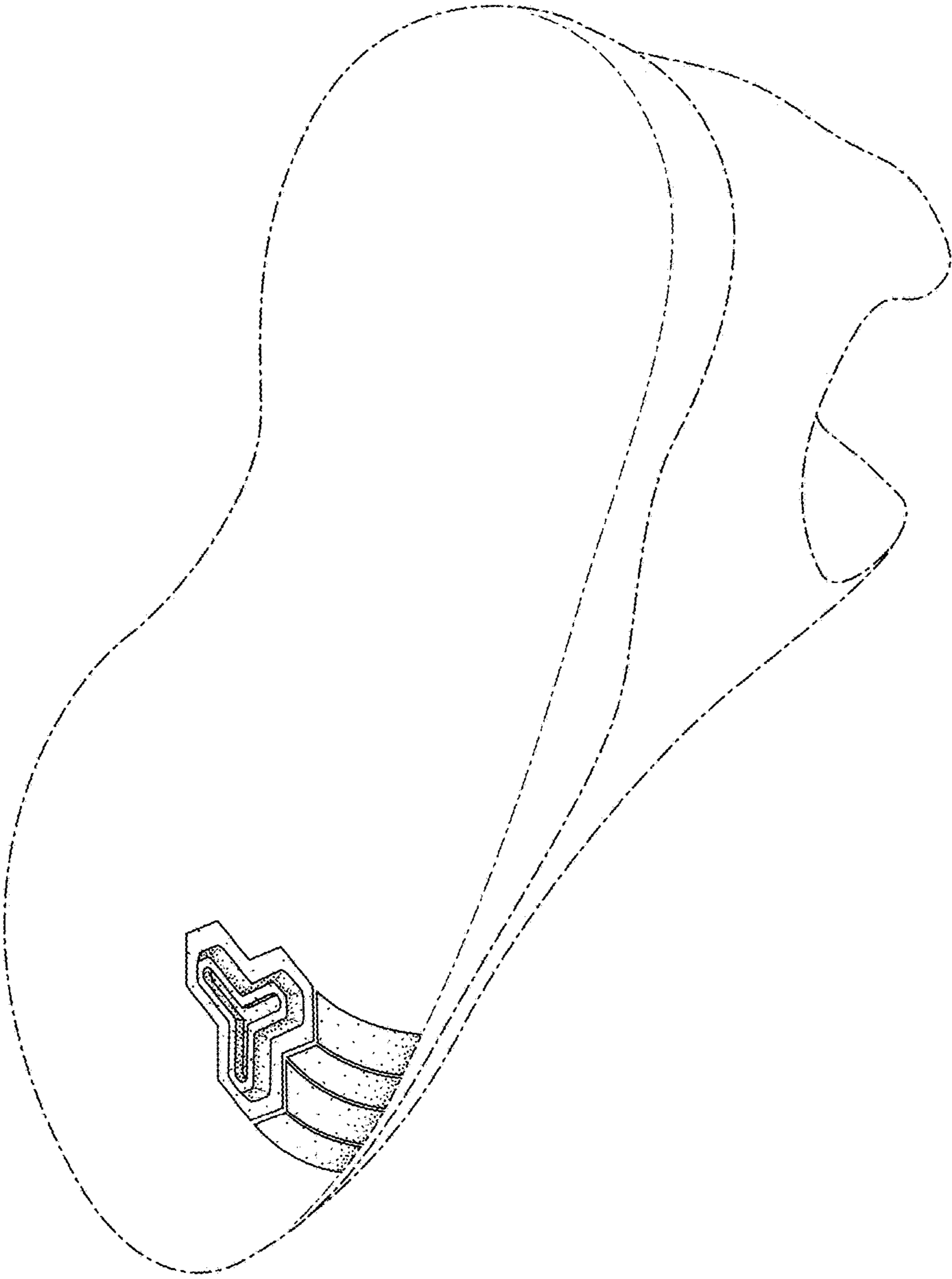


FIG.1

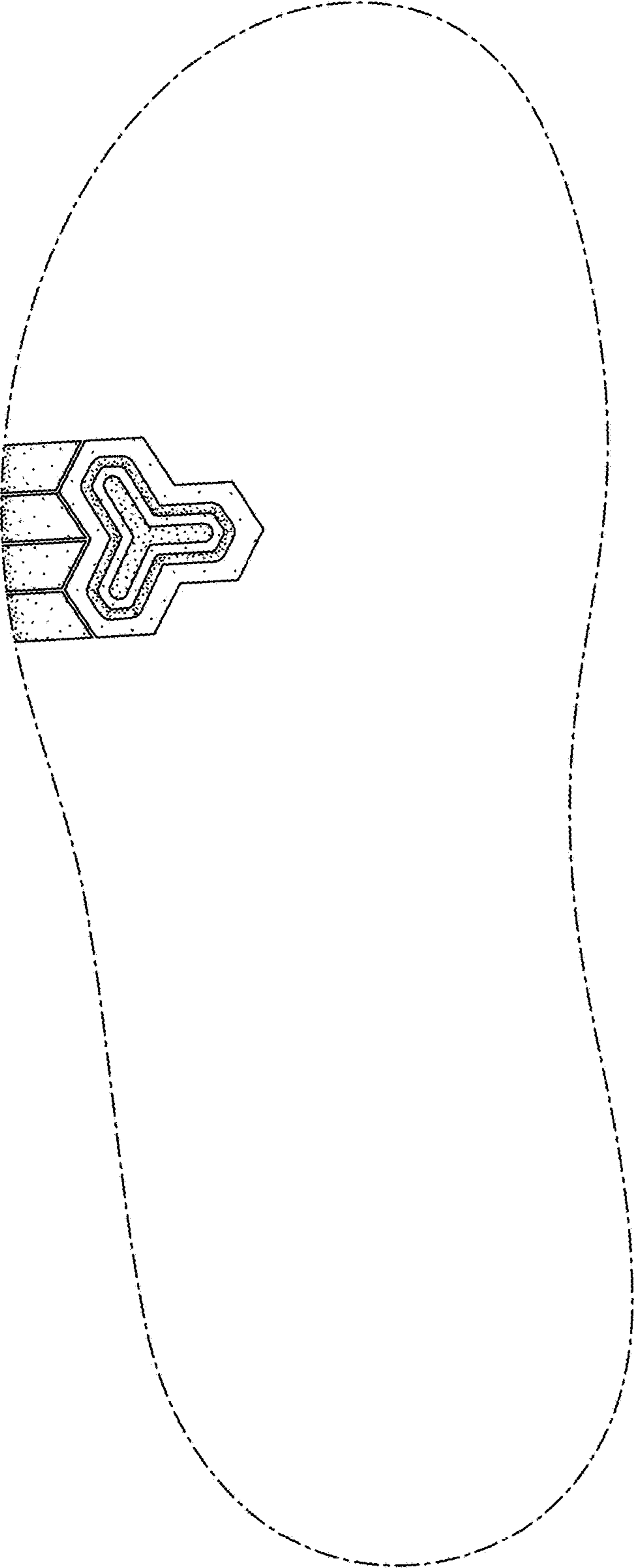


FIG.2

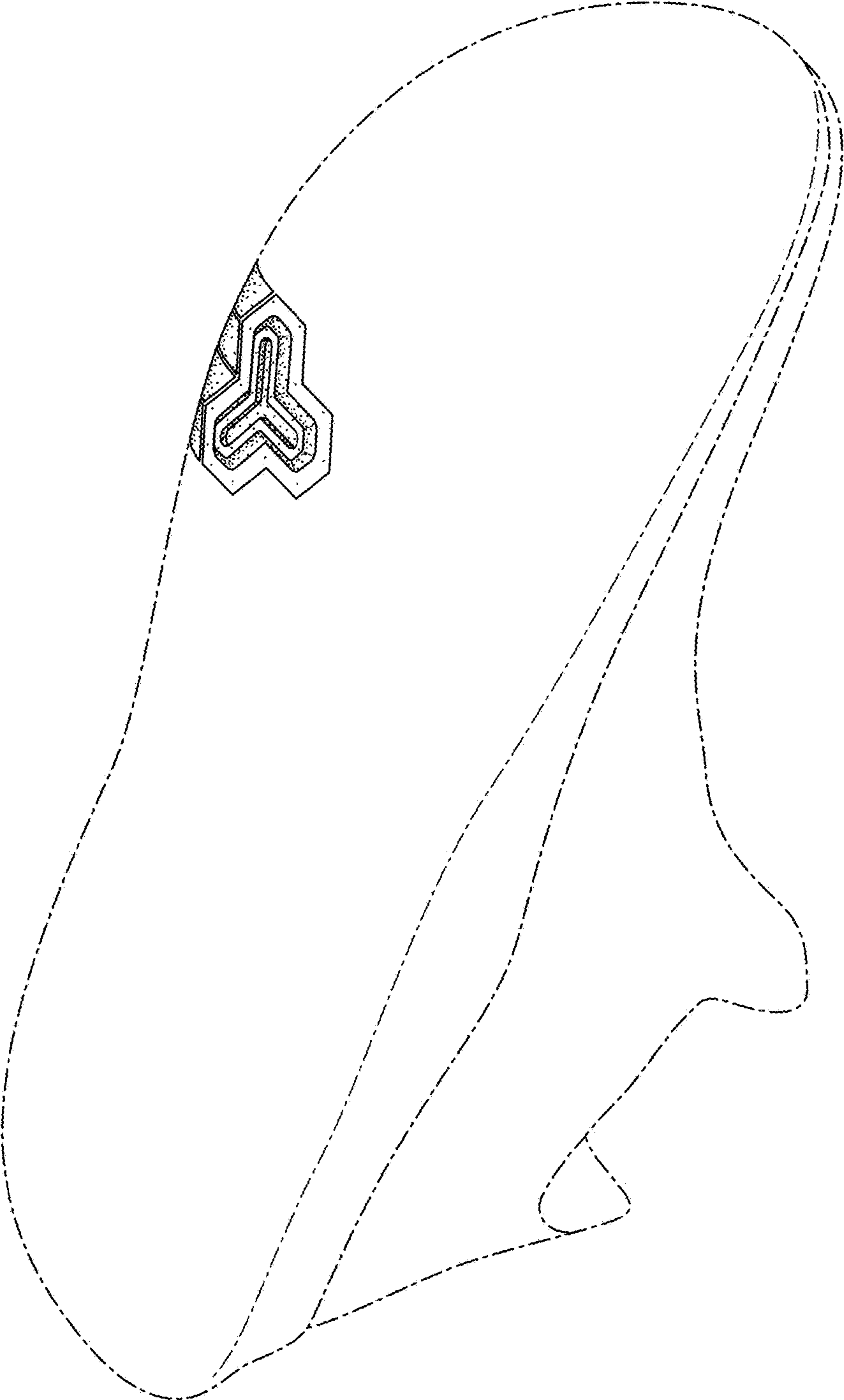


FIG.3

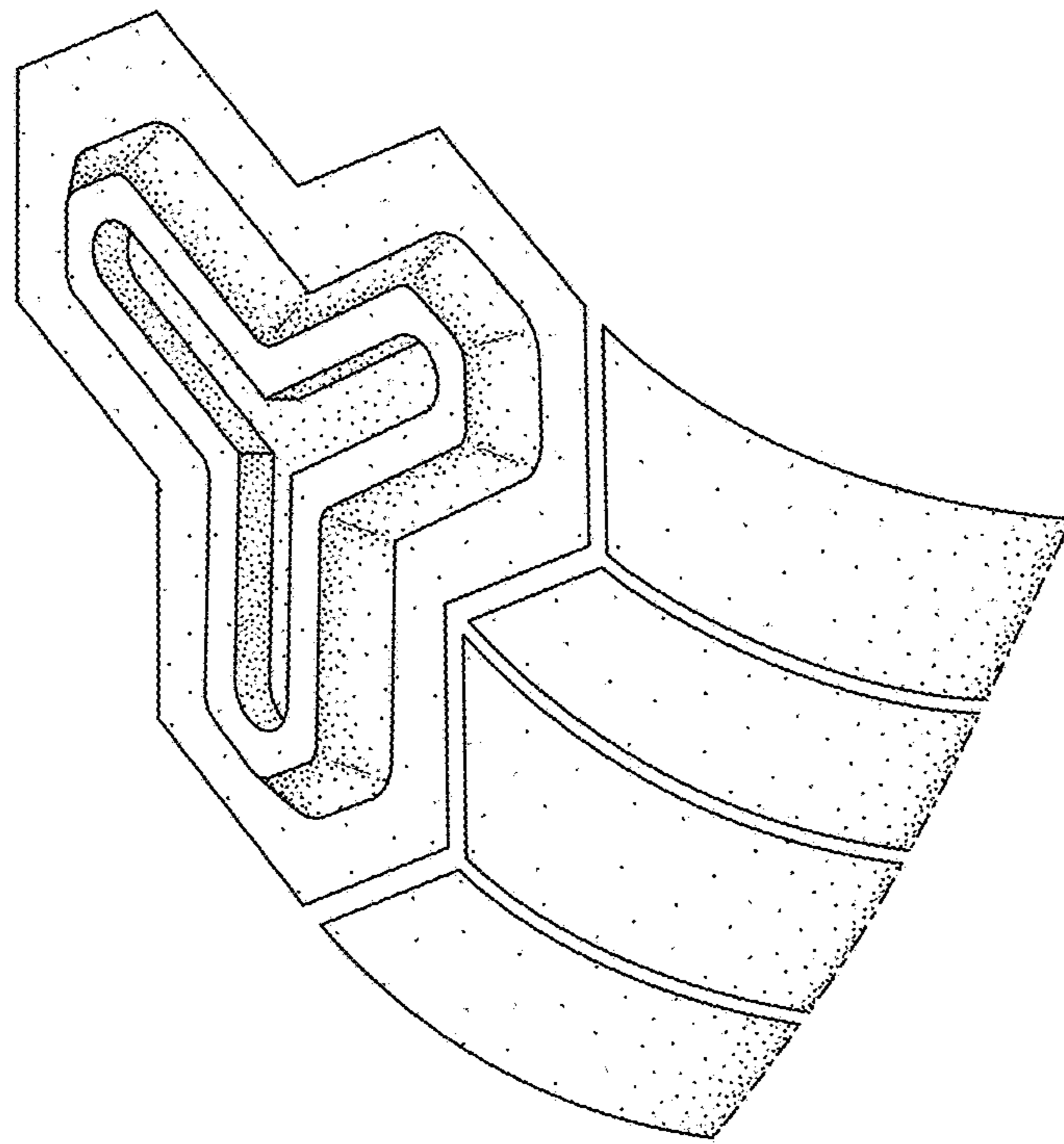


FIG.4

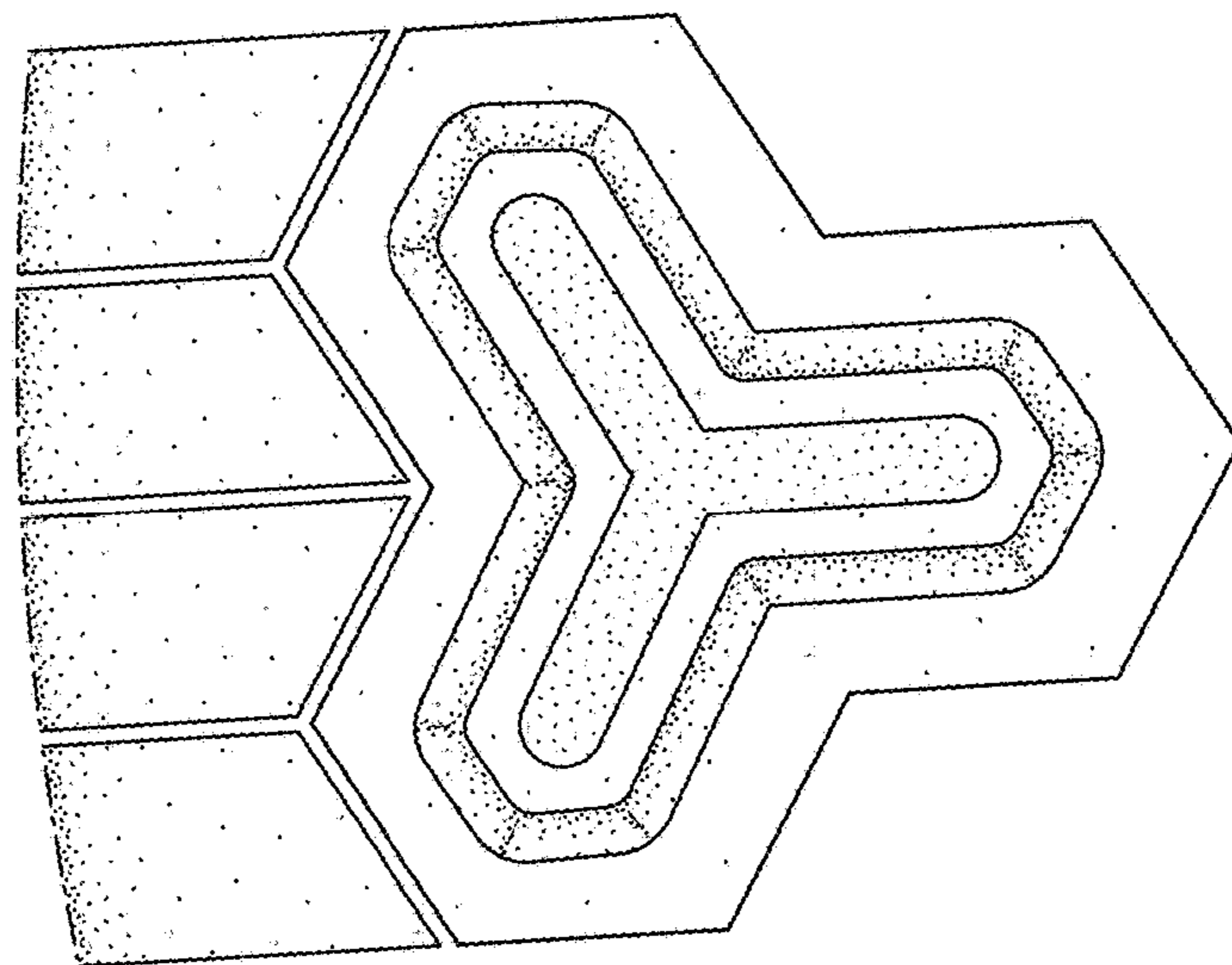


FIG.5

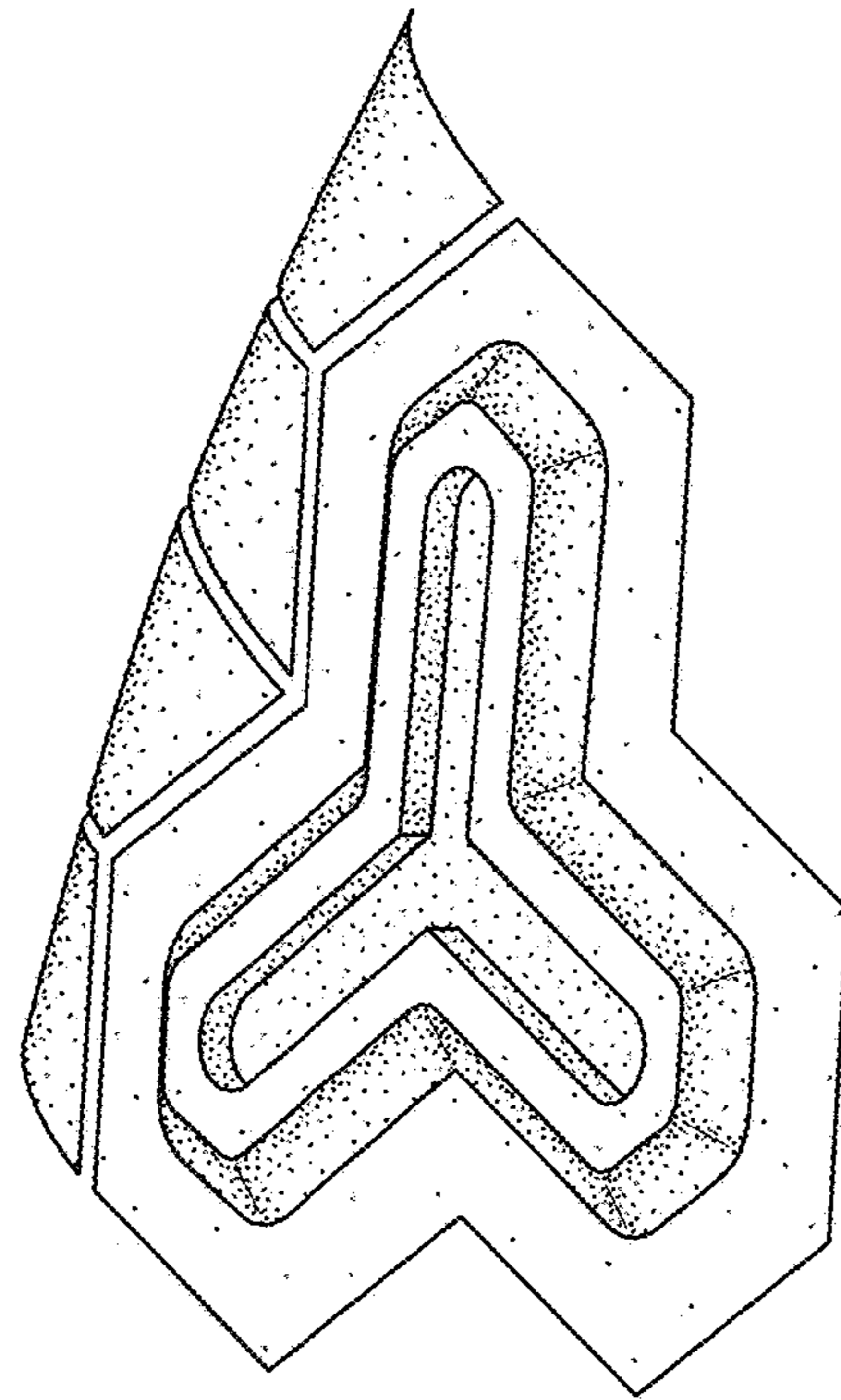


FIG.6