



US00D815392S

(12) **United States Design Patent**
Levy et al.

(10) **Patent No.:** **US D815,392 S**
(45) **Date of Patent:** **** Apr. 17, 2018**

(54) **BILATERAL MEDICAL GARMENT**

(71) Applicant: **COVR Medical, LLC**, Byron, MN (US)

(72) Inventors: **Heather Loree Levy**, Byron, MN (US); **Romeo Catracchia**, Lynnfield, MA (US); **Donald Osborn Cilley**, Greensboro, NC (US)

(73) Assignee: **COVR Medical, LLC**, Rochester, MN (US)

(**) Term: **15 Years**

(21) Appl. No.: **29/572,612**

(22) Filed: **Jul. 28, 2016**

(51) **LOC (11) Cl.** **02-01**

(52) **U.S. Cl.**
USPC **D2/712**

(58) **Field of Classification Search**
USPC D2/711-712, 738, 999; D24/190
(Continued)

(56) **References Cited**

U.S. PATENT DOCUMENTS

D171,213 S * 12/1953 Kudelka D2/712
3,019,446 A * 2/1962 Wyss A41B 9/004
2/401

(Continued)

FOREIGN PATENT DOCUMENTS

AU 201710459 3/2017
JP H0444305 4/1992

(Continued)

OTHER PUBLICATIONS

“International Search Report and Written Opinion,” for PCT Application No. PCT/US2015/10639 dated Feb. 28, 2015 (5 pages).

(Continued)

Primary Examiner — Robin V Webster

Assistant Examiner — James C Thorn, Sr.

(74) *Attorney, Agent, or Firm* — Pauly, DeVries Smith & Deffner LLC

(57) **CLAIM**

The ornamental design for a bilateral medical garment, as shown and described.

DESCRIPTION

FIG. 1 is a top perspective view of a first embodiment of the bilateral medical garment.

FIG. 2 is a front elevation view of the first embodiment of the bilateral medical garment.

FIG. 3 is a rear elevation view of the first embodiment of the bilateral medical garment.

FIG. 4 is a right side elevation view of the first embodiment of the bilateral medical garment, the left side elevation view being a mirror image of the right side elevation view.

FIG. 5 is a top plan view of the first embodiment of the bilateral medical garment.

FIG. 6 is a bottom plan view of the first embodiment of the bilateral medical garment.

FIG. 7 is a front left perspective view of the first embodiment of the bilateral medical garment illustrated on a human model.

FIG. 8 is a rear right perspective view of the first embodiment of the bilateral medical garment illustrated on a human model.

FIG. 9 is a top perspective view of the first embodiment of the bilateral medical garment, shown in a bunched position.

FIG. 10 is a front elevation view of the first embodiment of the bilateral medical garment, shown in a bunched position.

FIG. 11 is a rear elevation view of the first embodiment of the bilateral medical garment, shown in a bunched position.

FIG. 12 is a right side elevation view of the first embodiment of the bilateral medical garment, the left side elevation view being a mirror image of the right side elevation view, shown in a bunched position.

FIG. 13 is a top plan view of the first embodiment of the bilateral medical garment, shown in a bunched position.

(Continued)

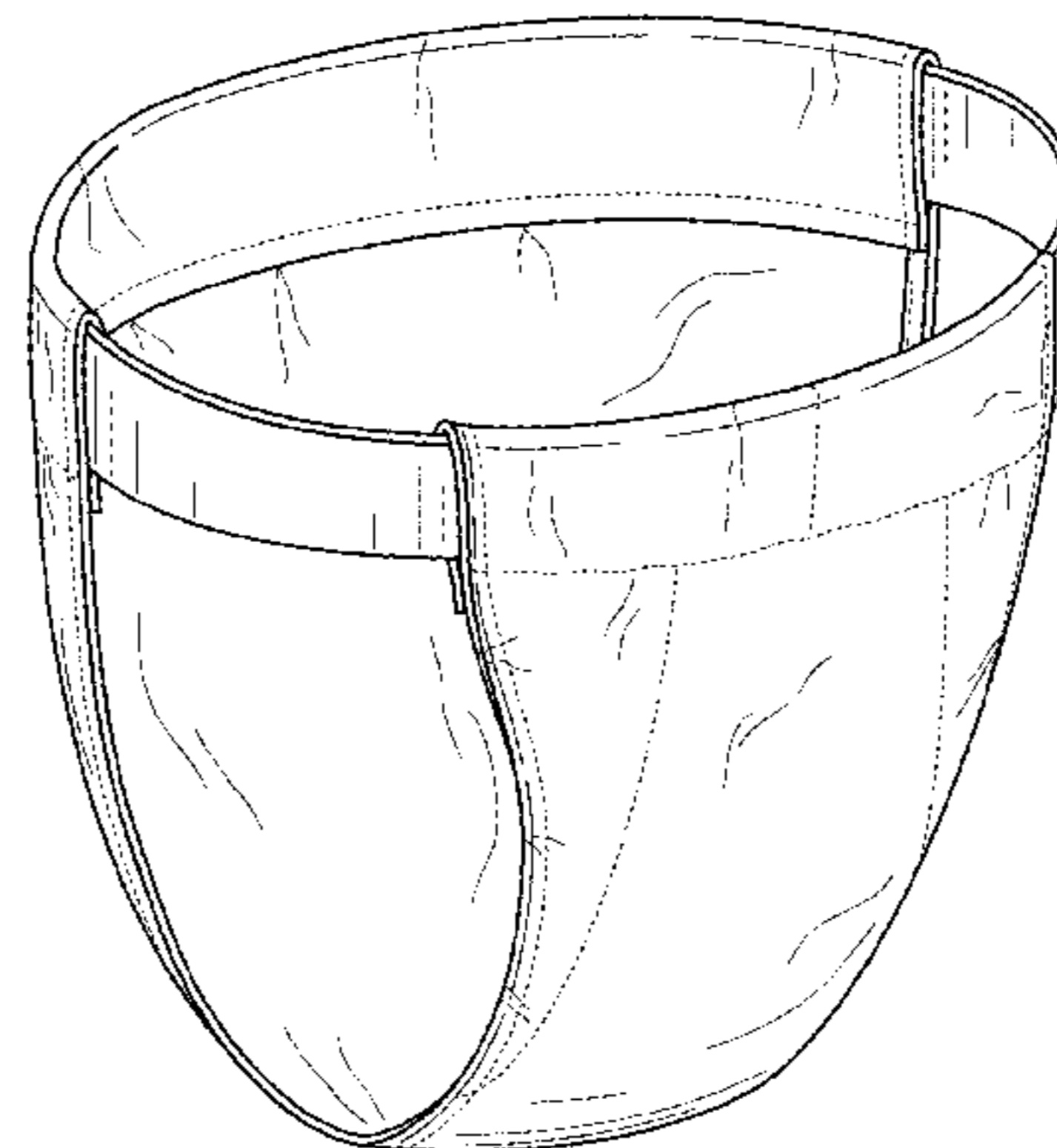
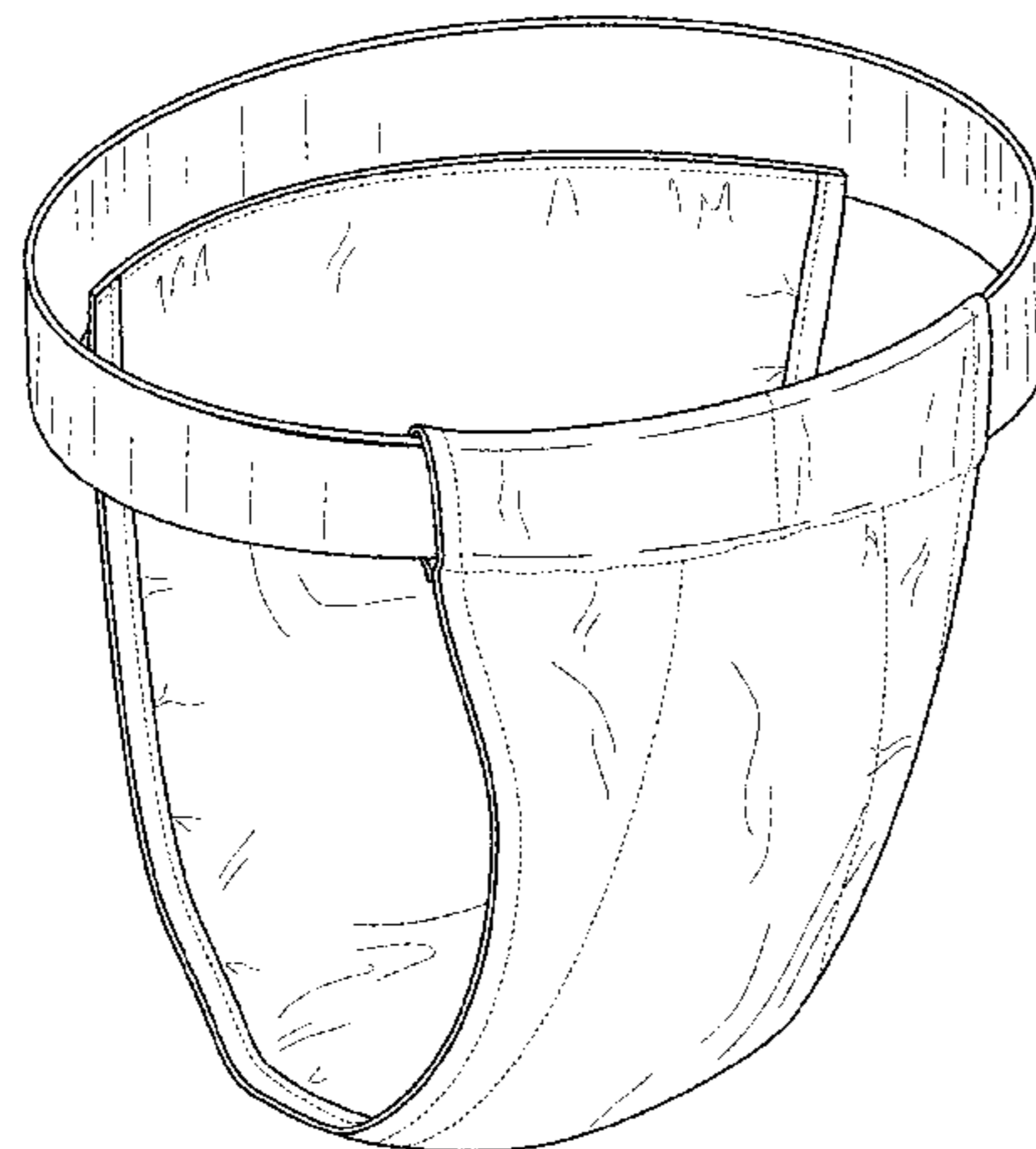


FIG. 14 is a bottom plan view of the first embodiment of the bilateral medical garment, shown in a bunched position.

FIG. 15 is a front left perspective view of the first embodiment of the bilateral medical garment illustrated on a human model, shown in a bunched position.

FIG. 16 is a rear right perspective view of the first embodiment of the bilateral medical garment illustrated on a human model, shown in a bunched position.

FIG. 17 is a top perspective view of a second embodiment of the bilateral medical garment.

FIG. 18 is a front elevation view of the second embodiment of the bilateral medical garment.

FIG. 19 is a rear elevation view of the second embodiment of the bilateral medical garment.

FIG. 20 is a right side elevation view of the second embodiment of the bilateral medical garment, the left side elevation view being a mirror image of the right side elevation view.

FIG. 21 is a top plan view of the second embodiment of the bilateral medical garment.

FIG. 22 is a bottom plan view of the second embodiment of the bilateral medical garment.

FIG. 23 is a front left perspective view of the second embodiment of the bilateral medical garment illustrated on a human model.

FIG. 24 is a rear right perspective view of the second embodiment of the bilateral medical garment illustrated on a human model.

FIG. 25 is a top perspective view of the second embodiment of the bilateral medical garment, shown in a bunched position.

FIG. 26 is a front elevation view of the second embodiment of the bilateral medical garment, shown in a bunched position.

FIG. 27 is a rear elevation view of the second embodiment of the bilateral medical garment, shown in a bunched position.

FIG. 28 is a right side elevation view of the second embodiment of the bilateral medical garment, the left side elevation view being a mirror image of the right side elevation view, shown in a bunched position.

FIG. 29 is a top plan view of the second embodiment of the bilateral medical garment, shown in a bunched position.

FIG. 30 is a bottom plan view of the second embodiment of the bilateral medical garment, shown in a bunched position.

FIG. 31 is a front left perspective view of the second embodiment of the bilateral medical garment illustrated on a human model, shown in a bunched position; and,

FIG. 32 is a rear right perspective view of the second embodiment of the bilateral medical garment illustrated on a human model, shown in a bunched position.

The dotted lines illustrate stitching and do not form part of the claimed design. The dashed lines illustrate a human model and do not form part of the claimed design.

1 Claim, 20 Drawing Sheets

(58) **Field of Classification Search**

CPC A41D 1/062; A41D 1/065; A41D 1/067;
A41D 1/08; A41D 7/00; A41D 7/005
See application file for complete search history.

(56) **References Cited**

U.S. PATENT DOCUMENTS

3,310,053	A	3/1967	Greenwood et al.	
D264,631	S *	5/1982	Forsberg	D2/712
D352,812	S *	11/1994	Van Laar	D2/712
5,410,756	A	5/1995	Hutson	
D384,187	S	9/1997	Mcroberts et al.	
D408,616	S *	4/1999	Jackson	D2/712
6,057,372	A	5/2000	Nobuhiro et al.	
6,090,057	A	7/2000	Collins et al.	
6,146,346	A	11/2000	Godwin	
6,173,449	B1	1/2001	Osterrath	
D439,343	S	3/2001	Abbott	
6,490,732	B1	12/2002	Spoke et al.	
6,589,195	B1	7/2003	Schwenn et al.	
D649,330	S	11/2011	Trahin et al.	
D677,447	S *	3/2013	Shoemaker	A41B 9/008 D2/712
D702,917	S *	4/2014	White	D2/712
D711,071	S *	8/2014	Jackson	D2/712
D716,524	S *	11/2014	Astin	D2/712
D741,499	S	10/2015	Levy	
D755,470	S *	5/2016	Crier Hosein	D2/712
D768,356	S *	10/2016	Grant	D2/712
D771,351	S *	11/2016	Colon	D2/712
D793,659	S *	8/2017	Wexler	D2/712
D806,867	S *	1/2018	Yamada	D24/126
D806,982	S *	1/2018	Grace	D2/700
2002/0082537	A1	6/2002	MacAllister et al.	
2002/0111575	A1	8/2002	Smith et al.	
2003/0009120	A1	1/2003	Macallister et al.	
2004/0181853	A1	9/2004	Martz et al.	
2006/0264790	A1	11/2006	Kruijzen et al.	
2012/0185992	A1	7/2012	Byrnes et al.	
2012/0311758	A1 *	12/2012	Nicholson	A41D 27/20 2/67
2015/0053210	A1	2/2015	Mathison	
2016/0331053	A1 *	11/2016	Gordon	A41D 27/205

FOREIGN PATENT DOCUMENTS

JP	2000073201	3/2000
JP	1359202	5/2009
WO	2015108754	7/2015

OTHER PUBLICATIONS

“Summer will be hot: the new men’s trend beyond discovery!,”
Re:public [online] Apr. 21, 2013 [retrieved on Apr. 7, 2015.]
Retrieved from the internet:<URL:http://republic.com.ua/article/
28069-Leto-budet-jarkim-nvyy-musjkoy-trend-za-granYu-
otkrytosti.html> (4 pages).
“Examination Report,” for New Zealand Application No. 422,620
dated Feb. 15, 2017 (2 pages).
“Examiner’s Report,” for Canadian Design Application No.
172,702 dated May 19, 2017 (2 pages).

* cited by examiner

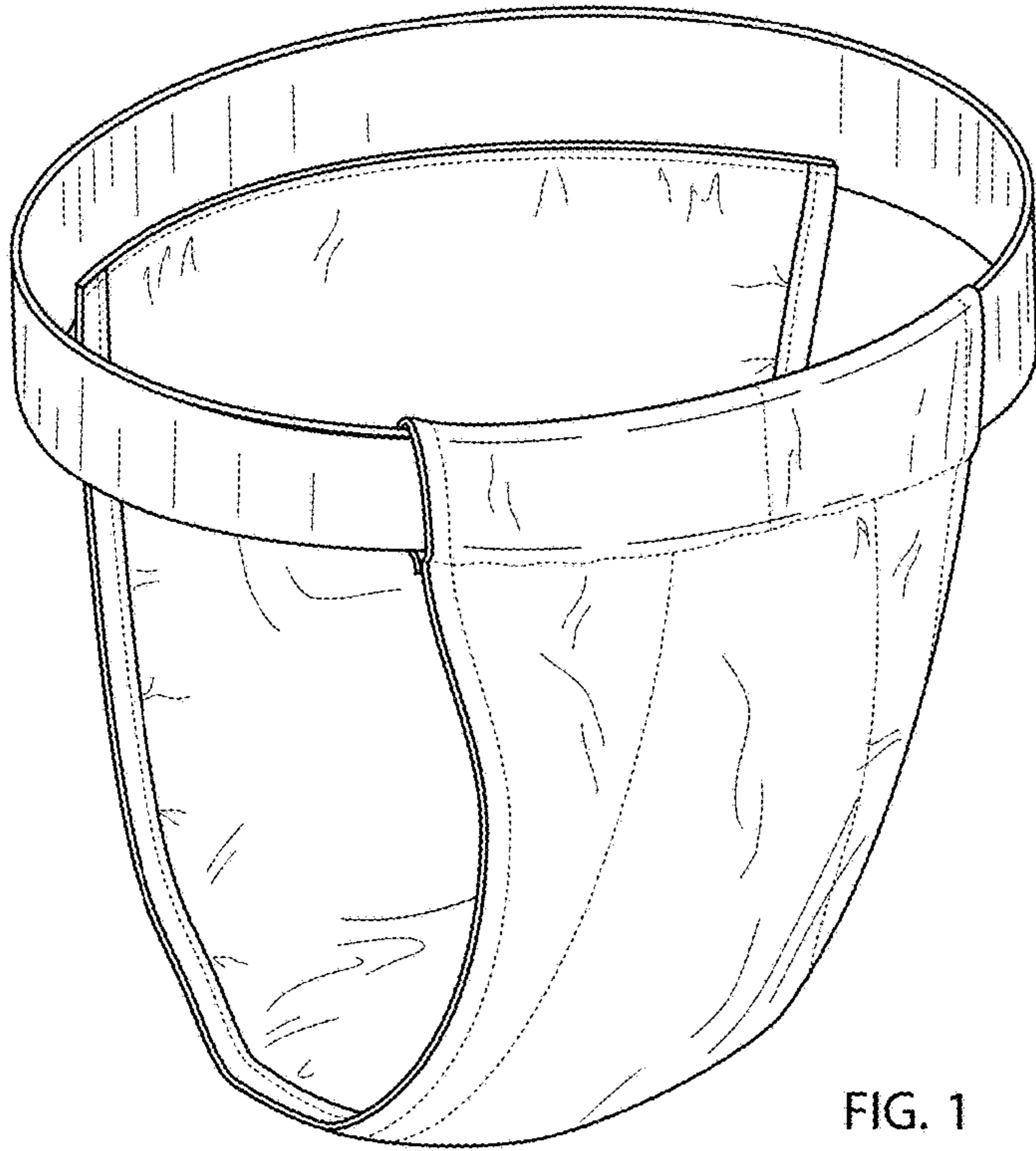


FIG. 1

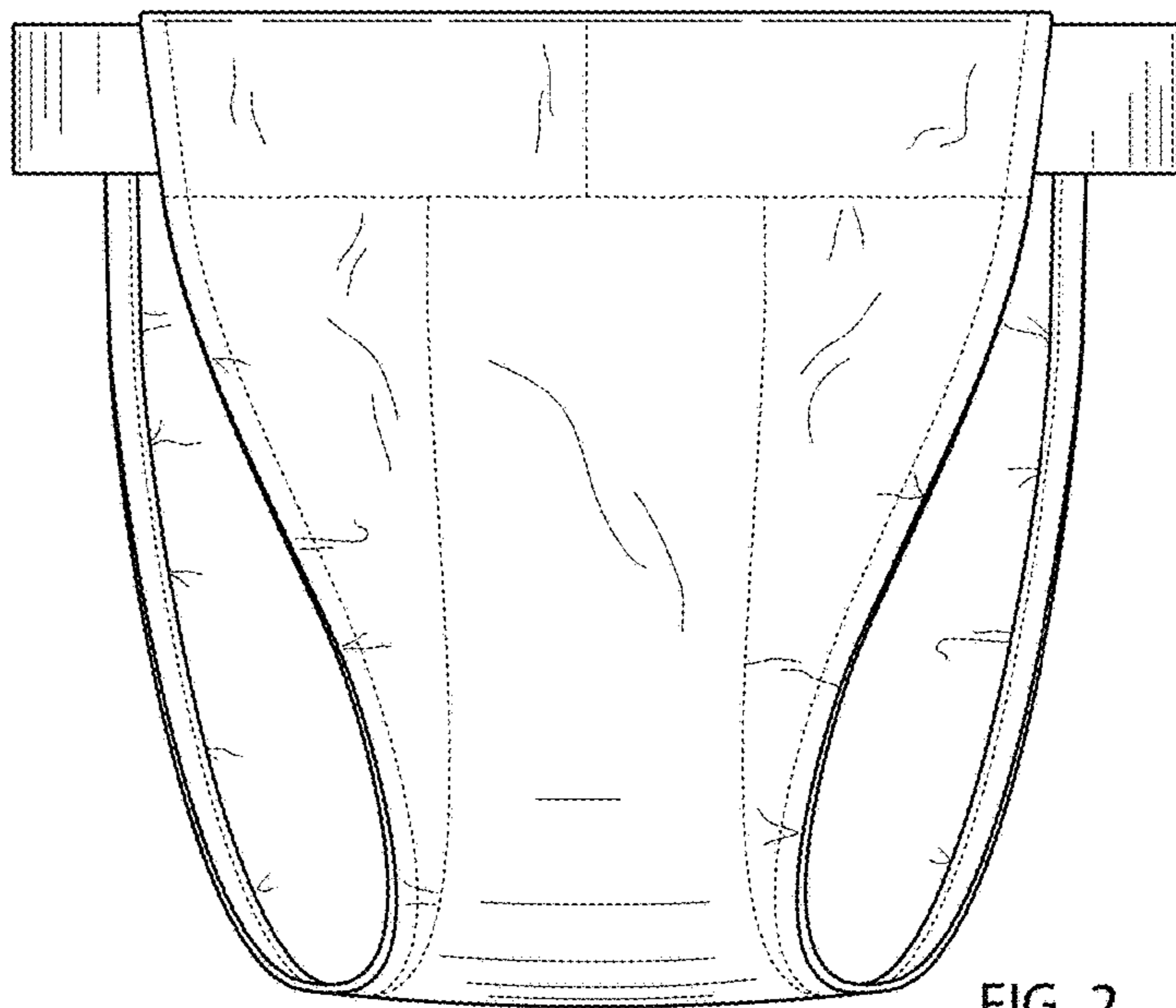


FIG. 2

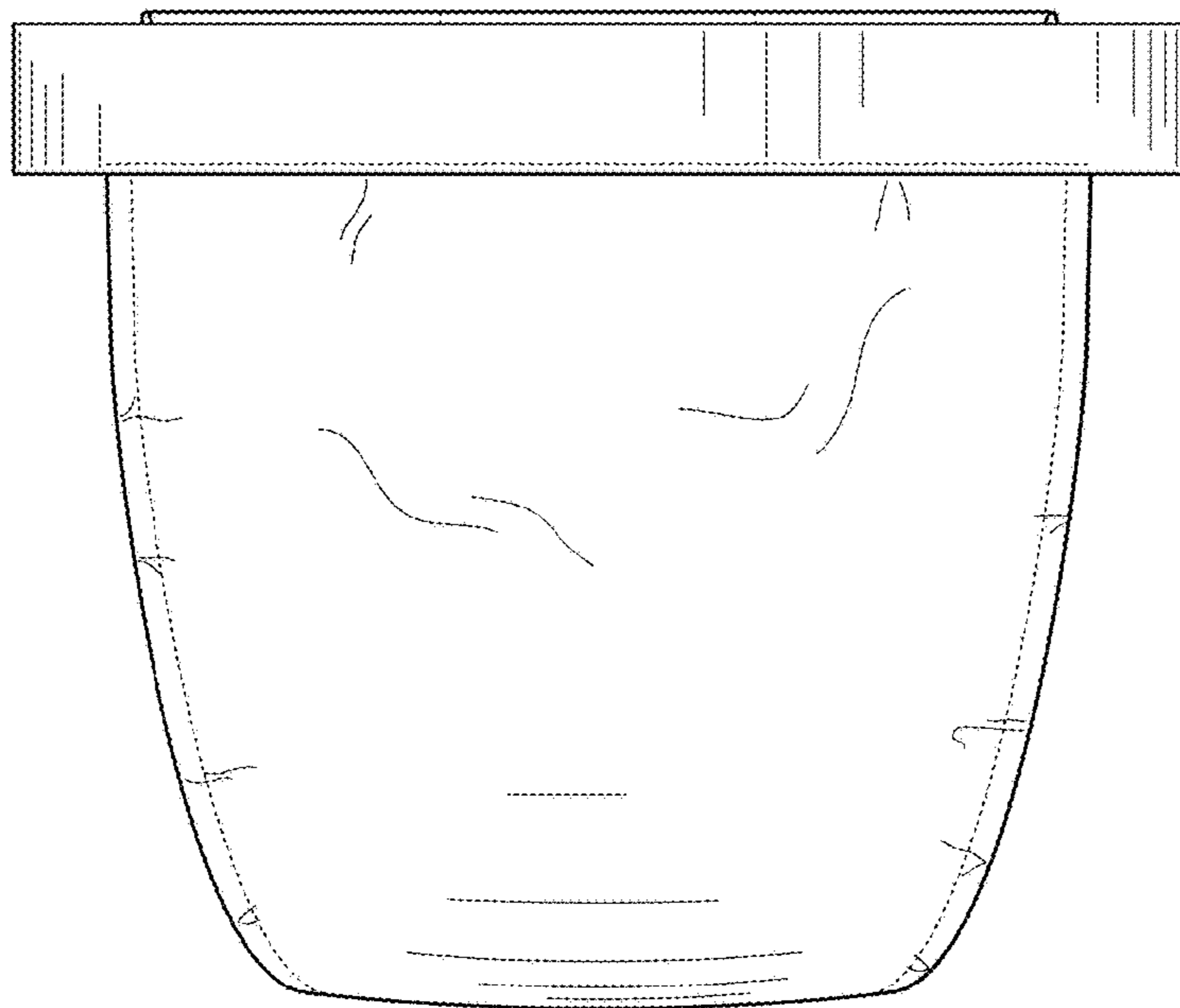


FIG. 3

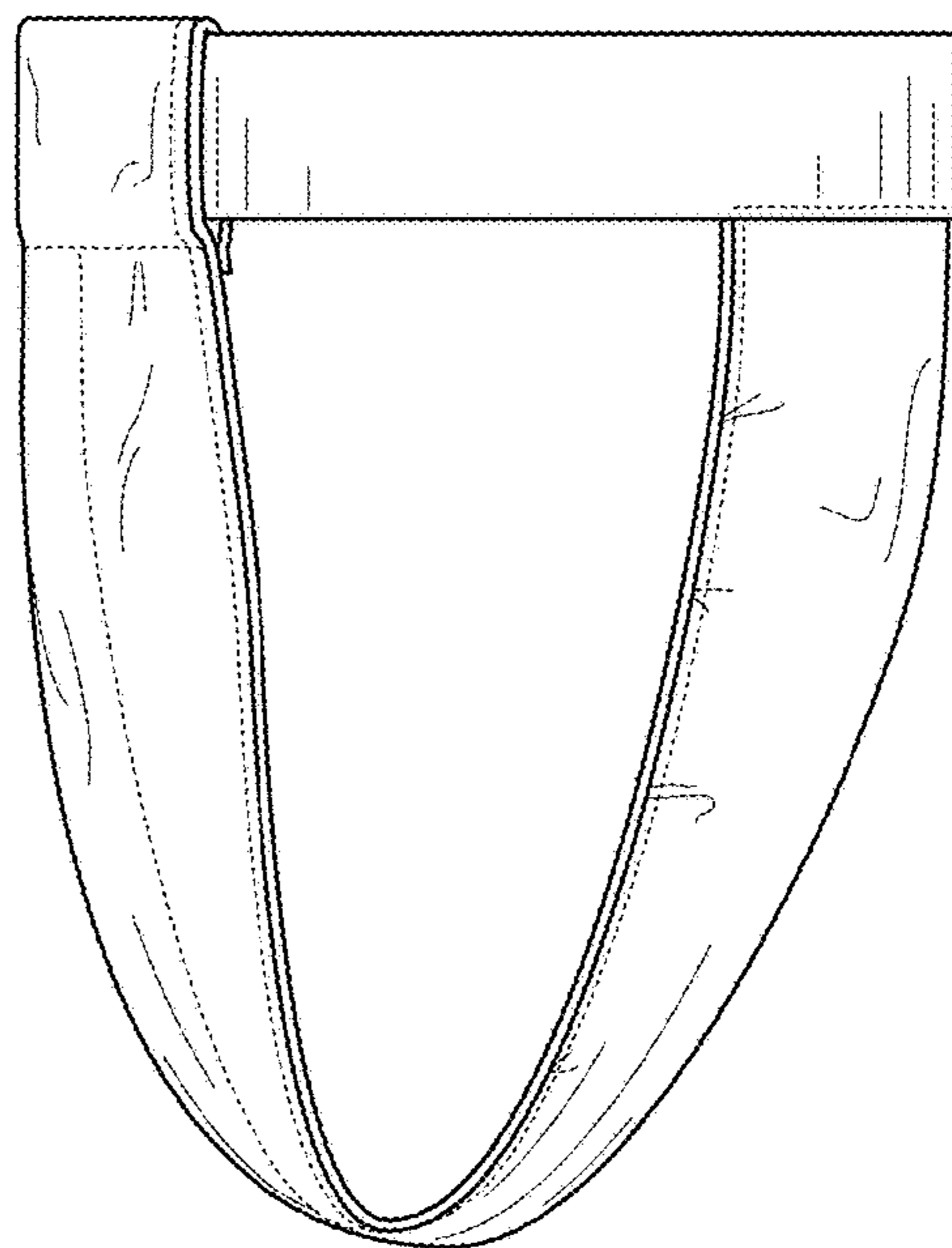


FIG. 4

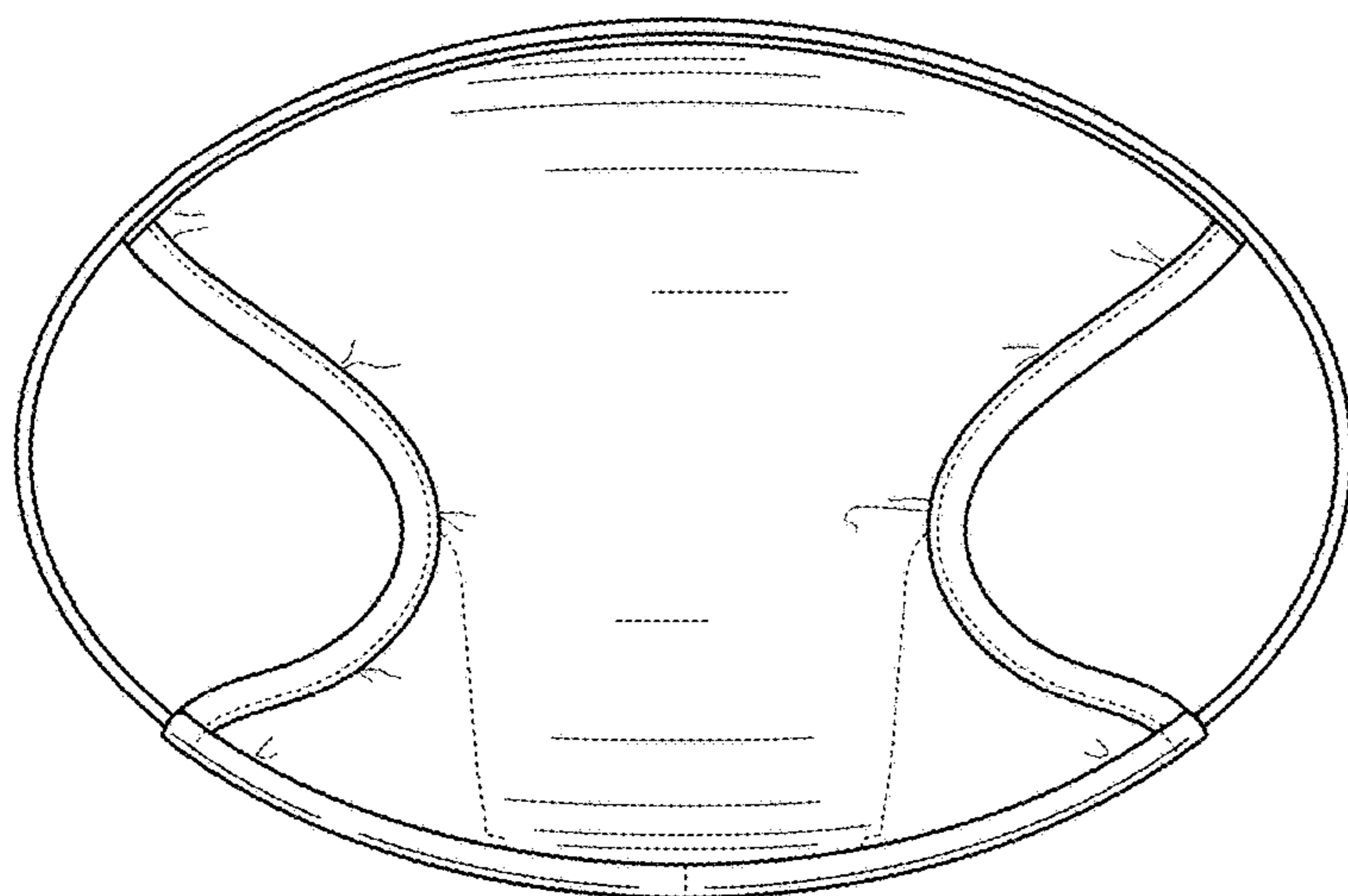


FIG. 5

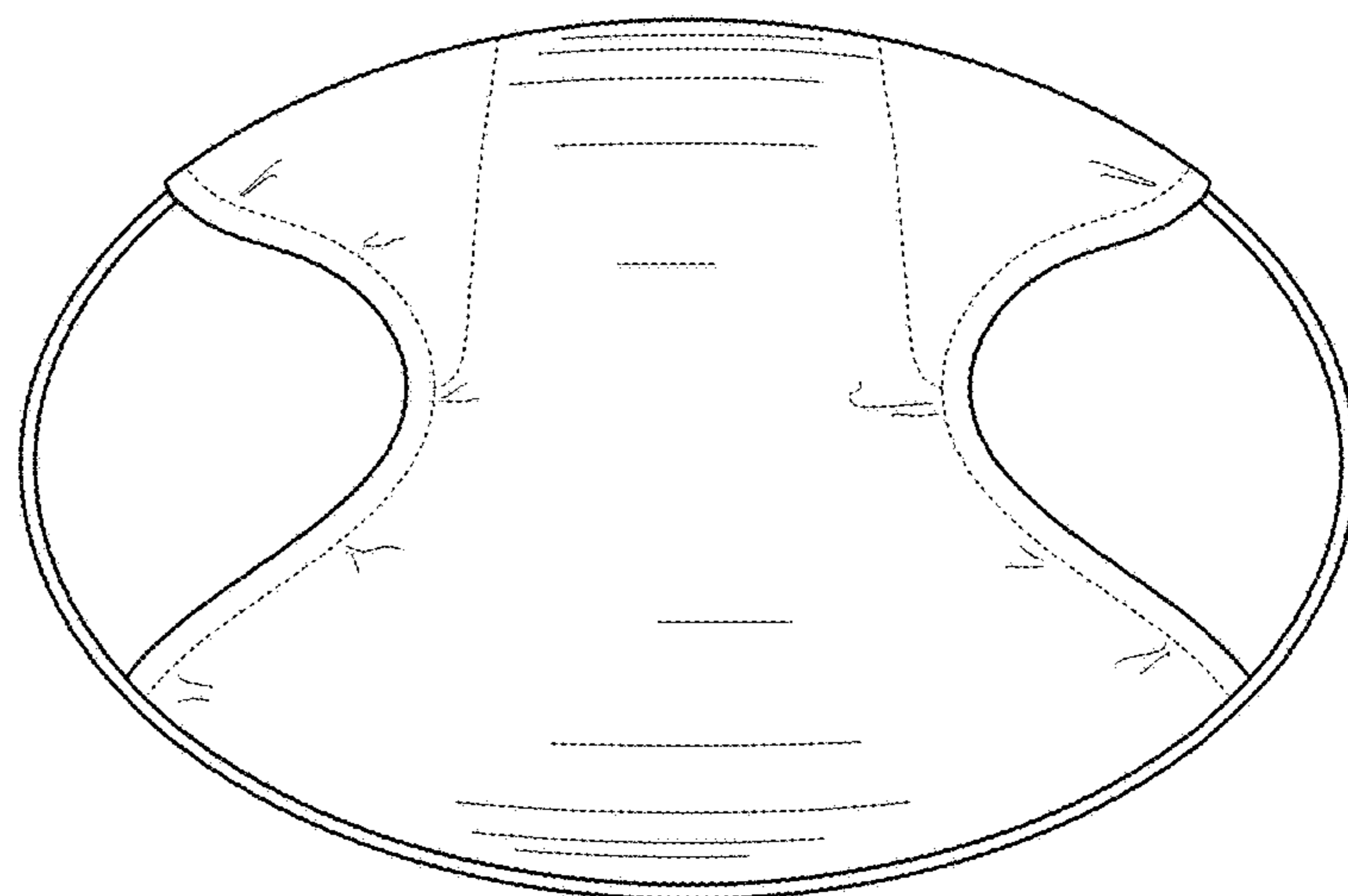


FIG. 6

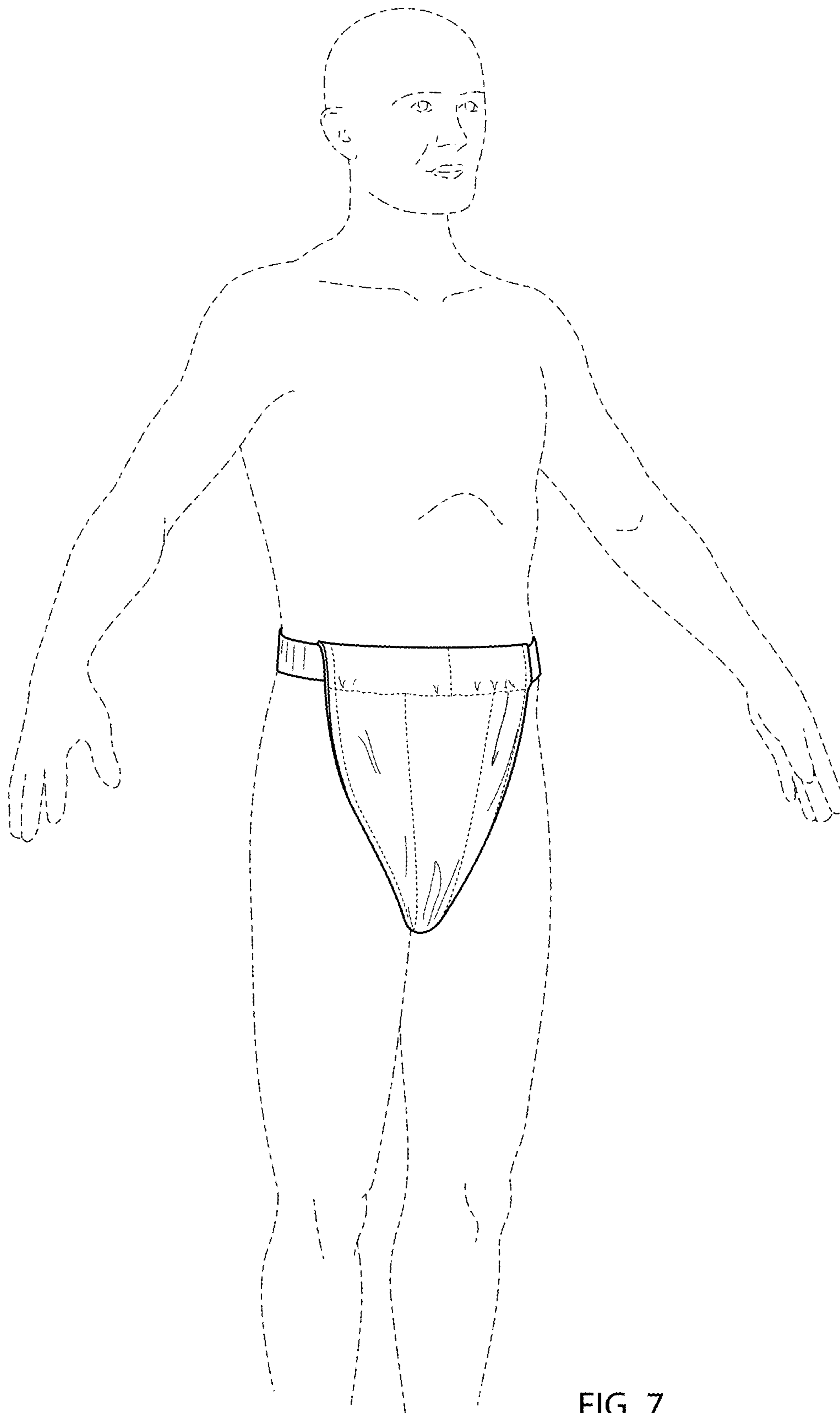


FIG. 7

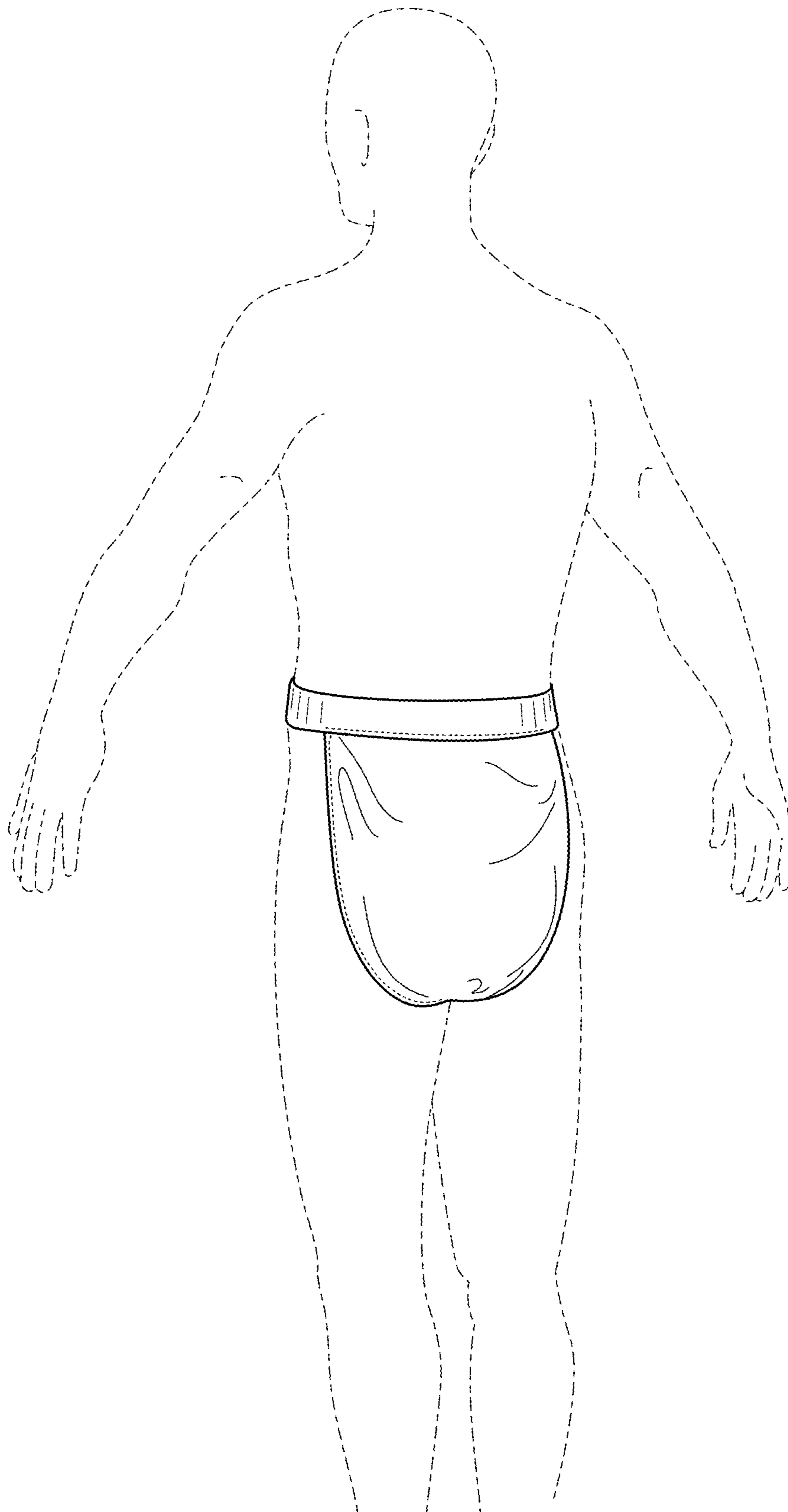


FIG. 8

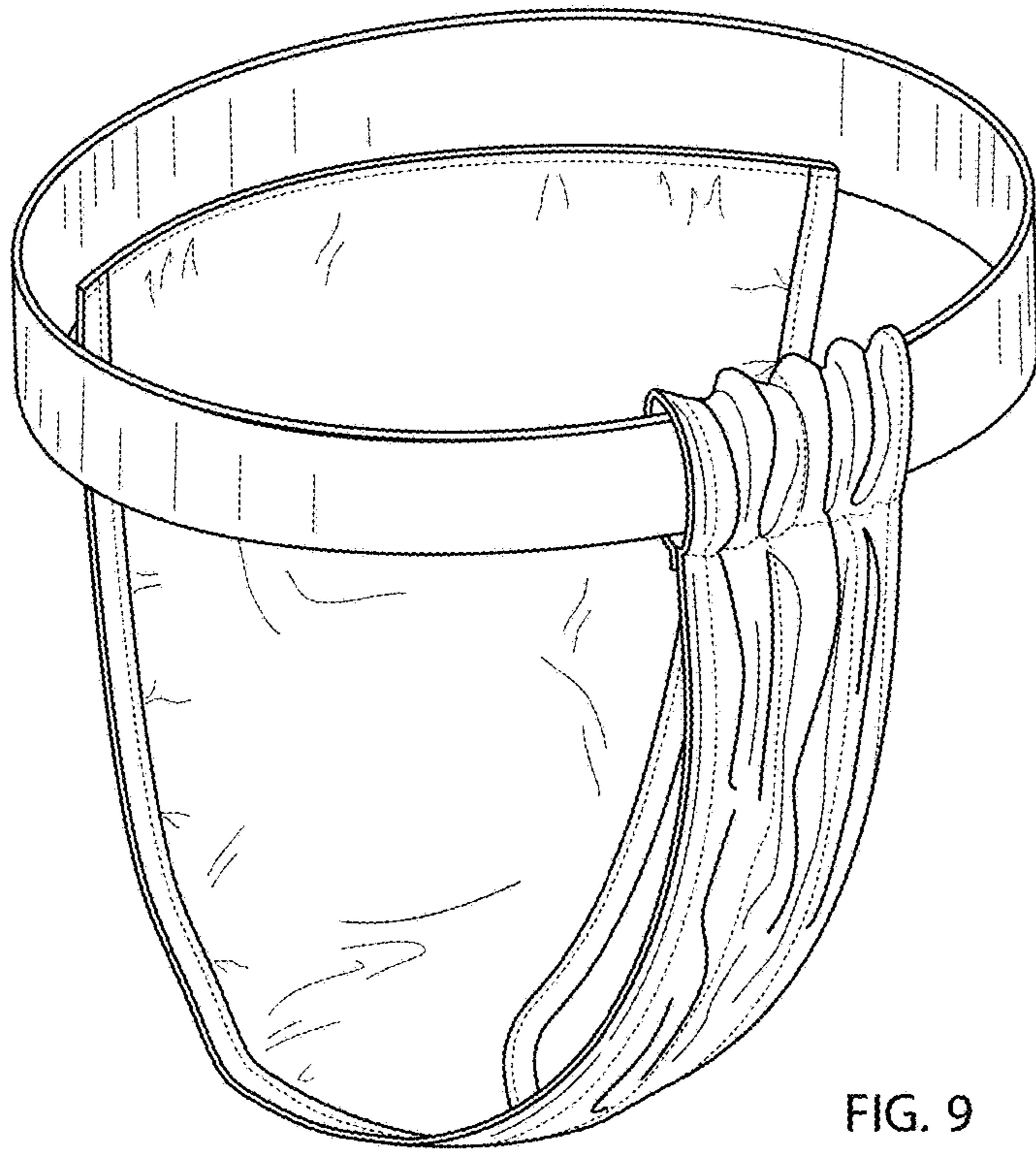


FIG. 9

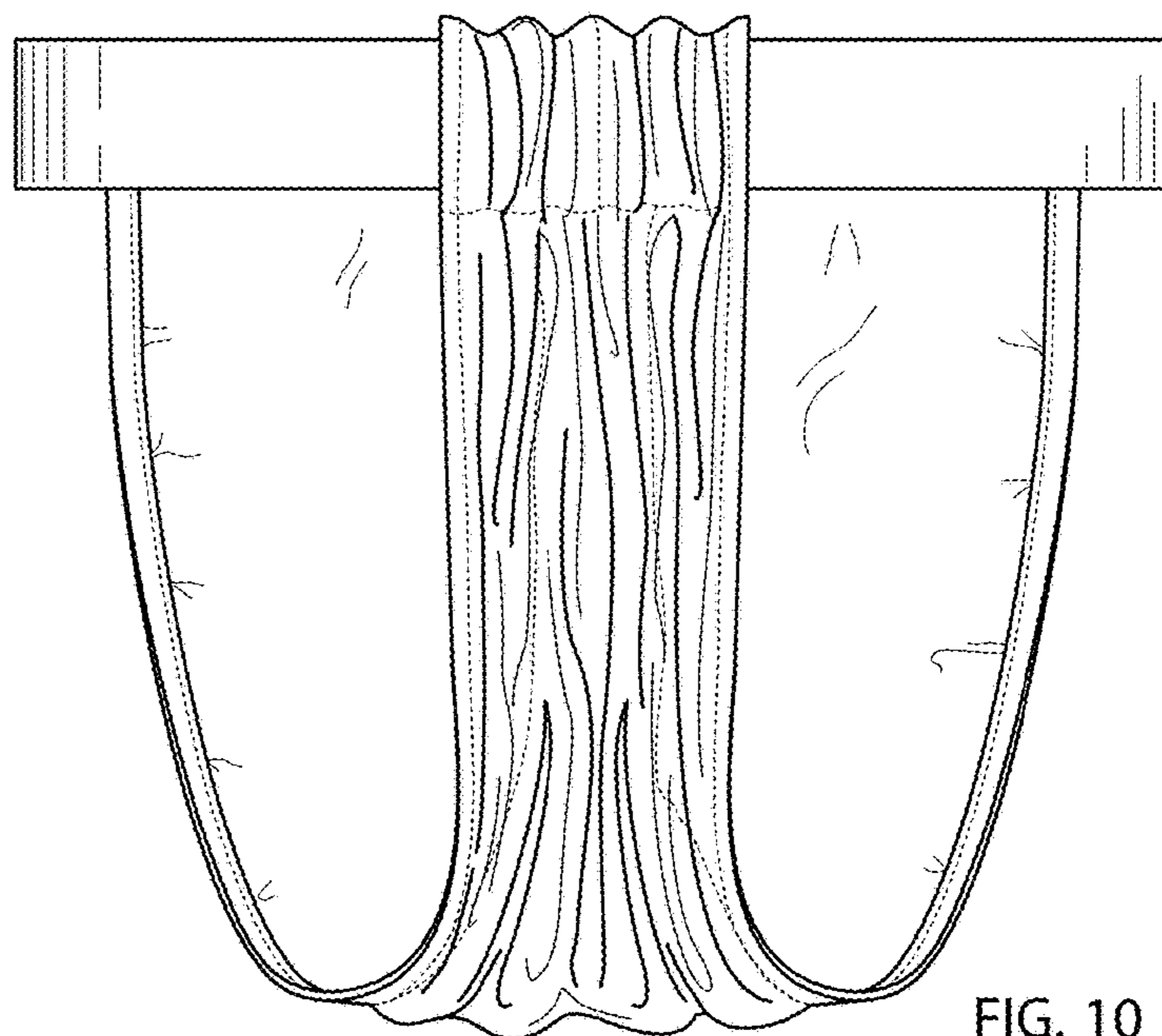


FIG. 10

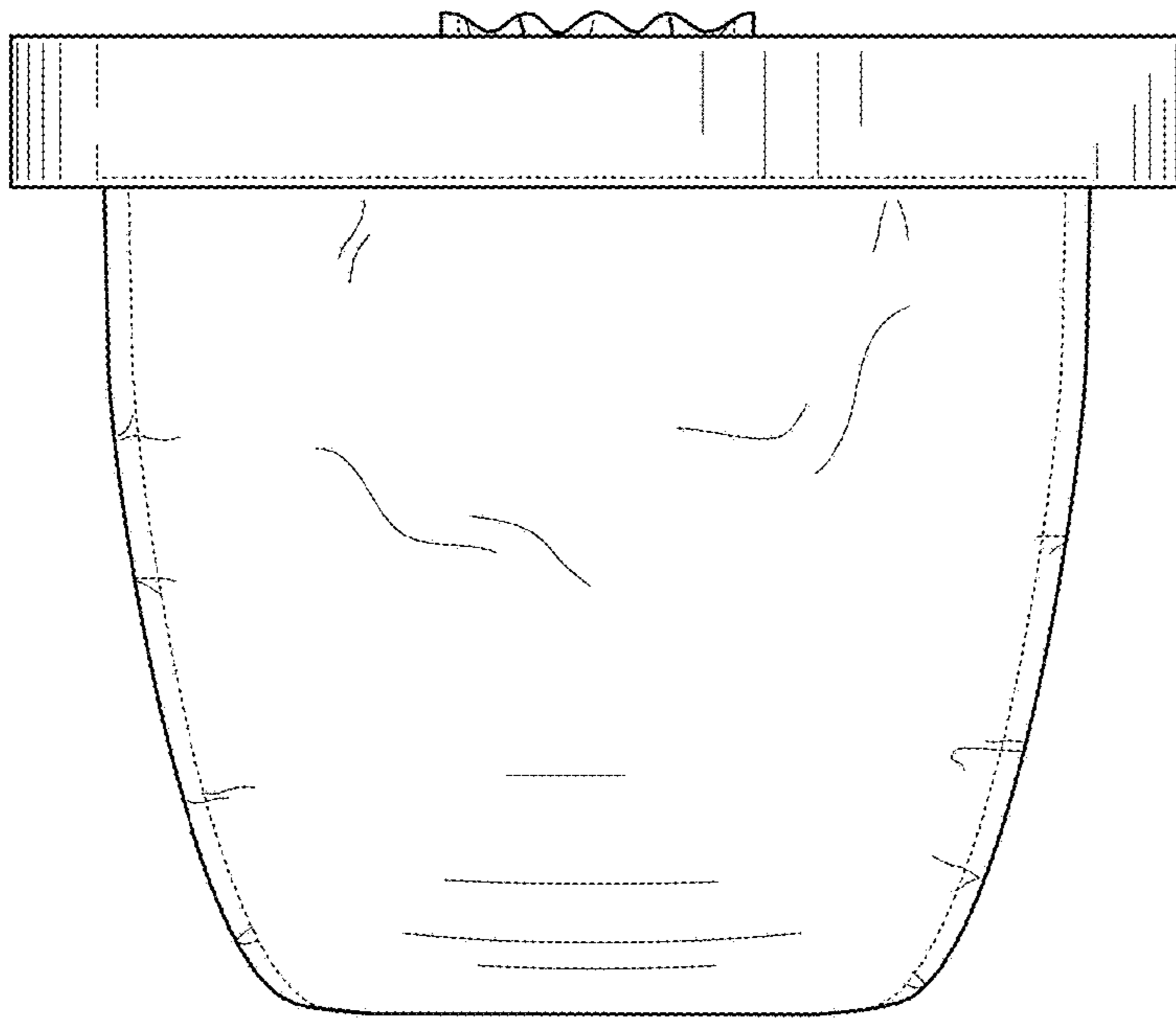


FIG. 11

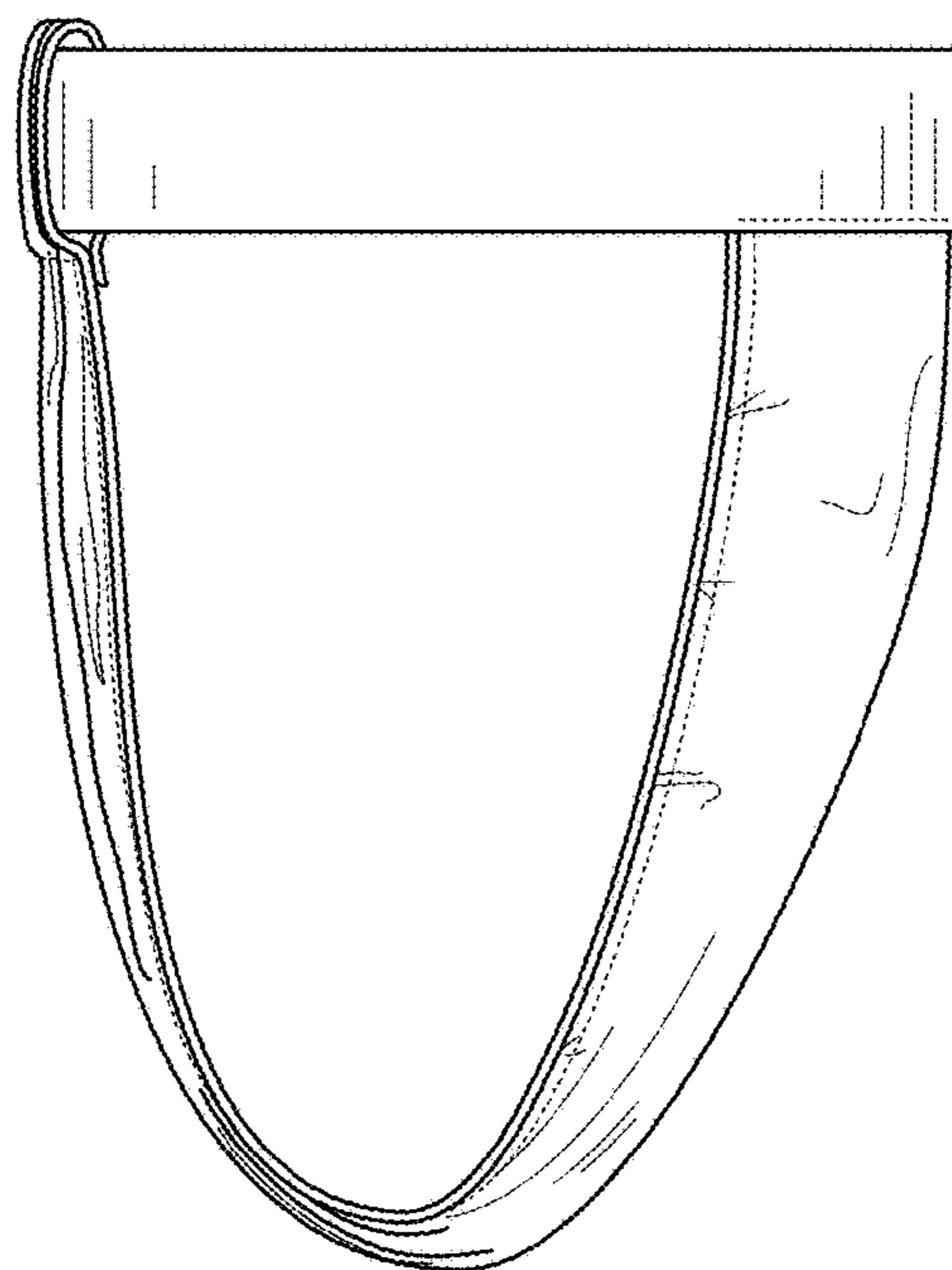


FIG. 12

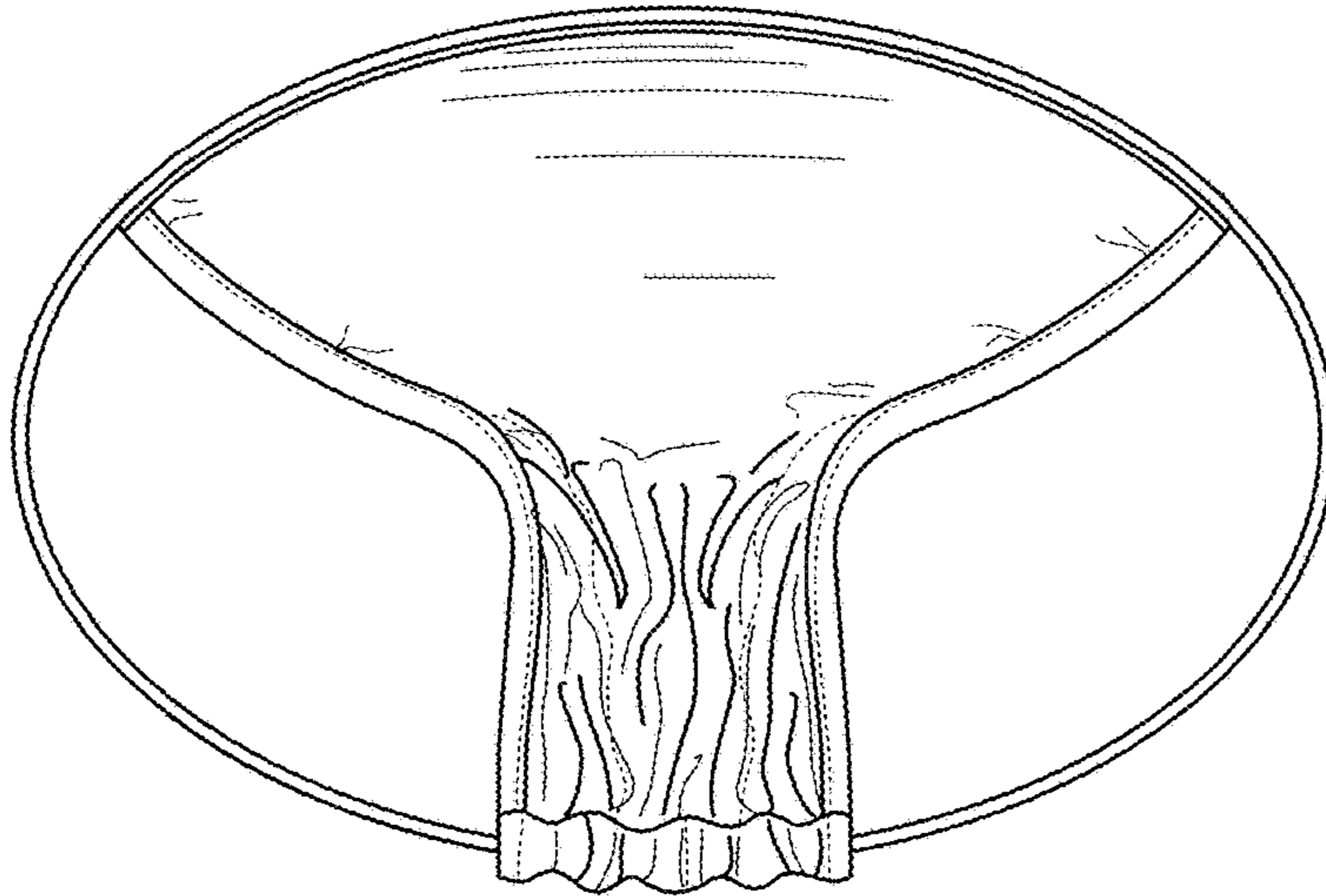


FIG. 13

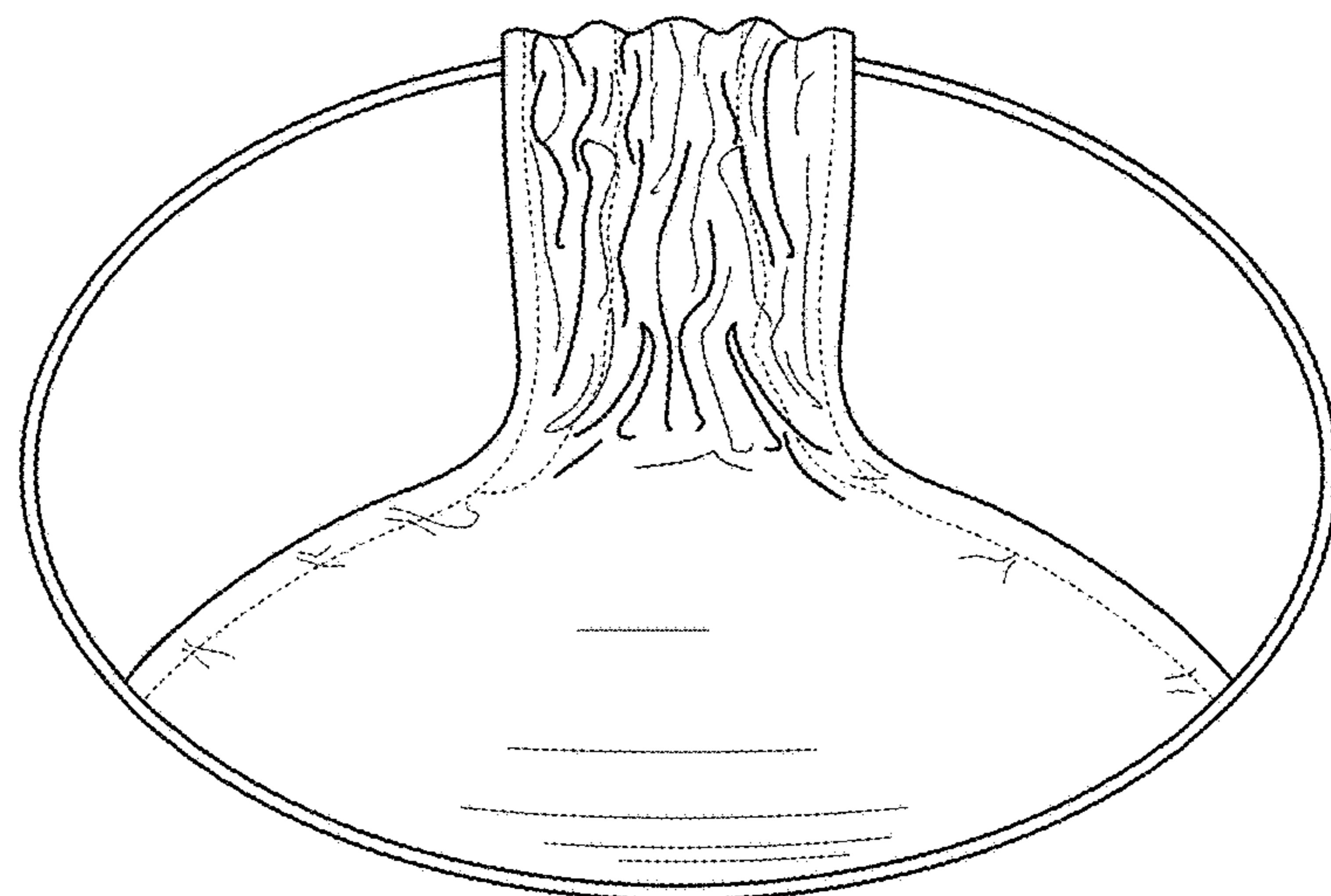


FIG. 14

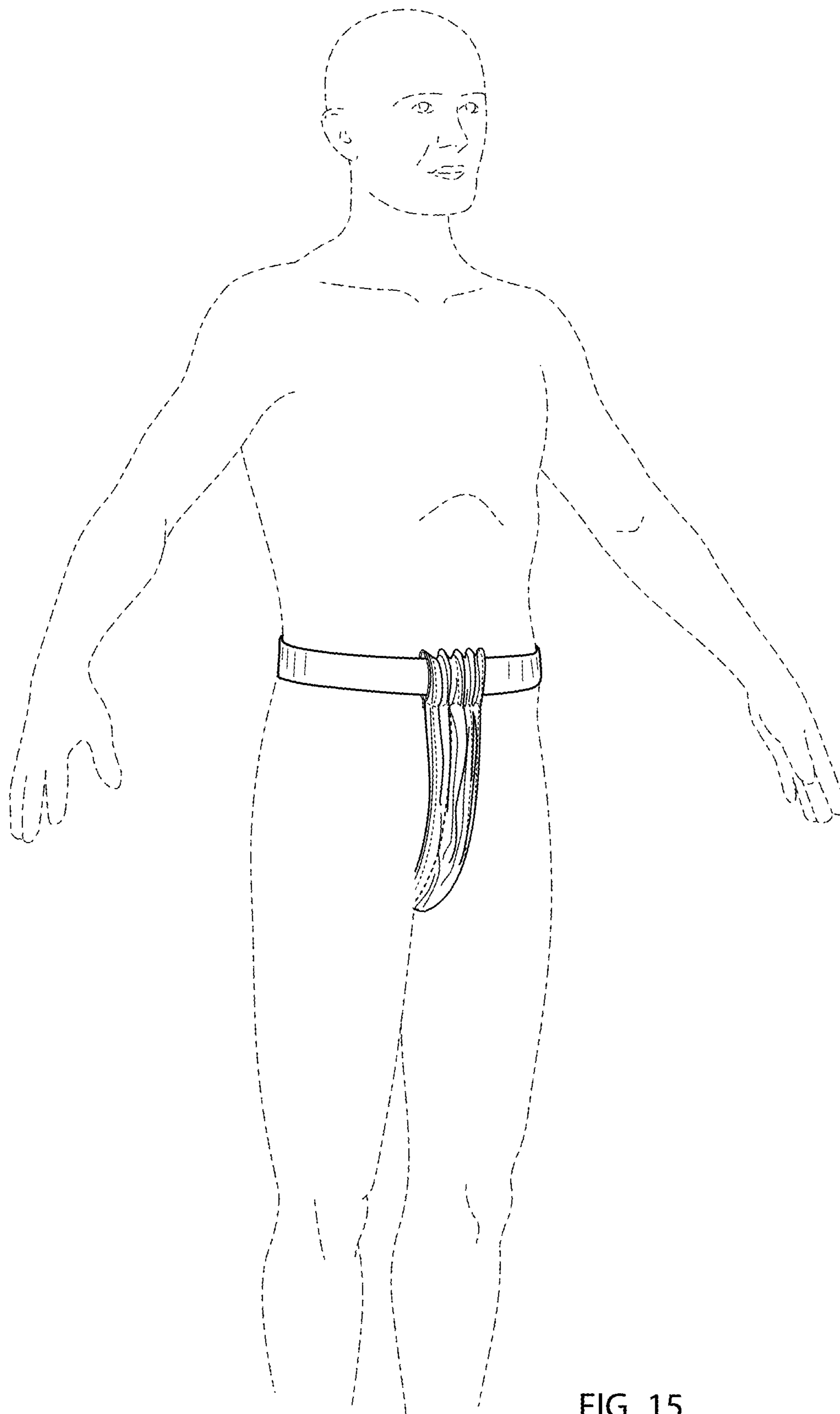


FIG. 15

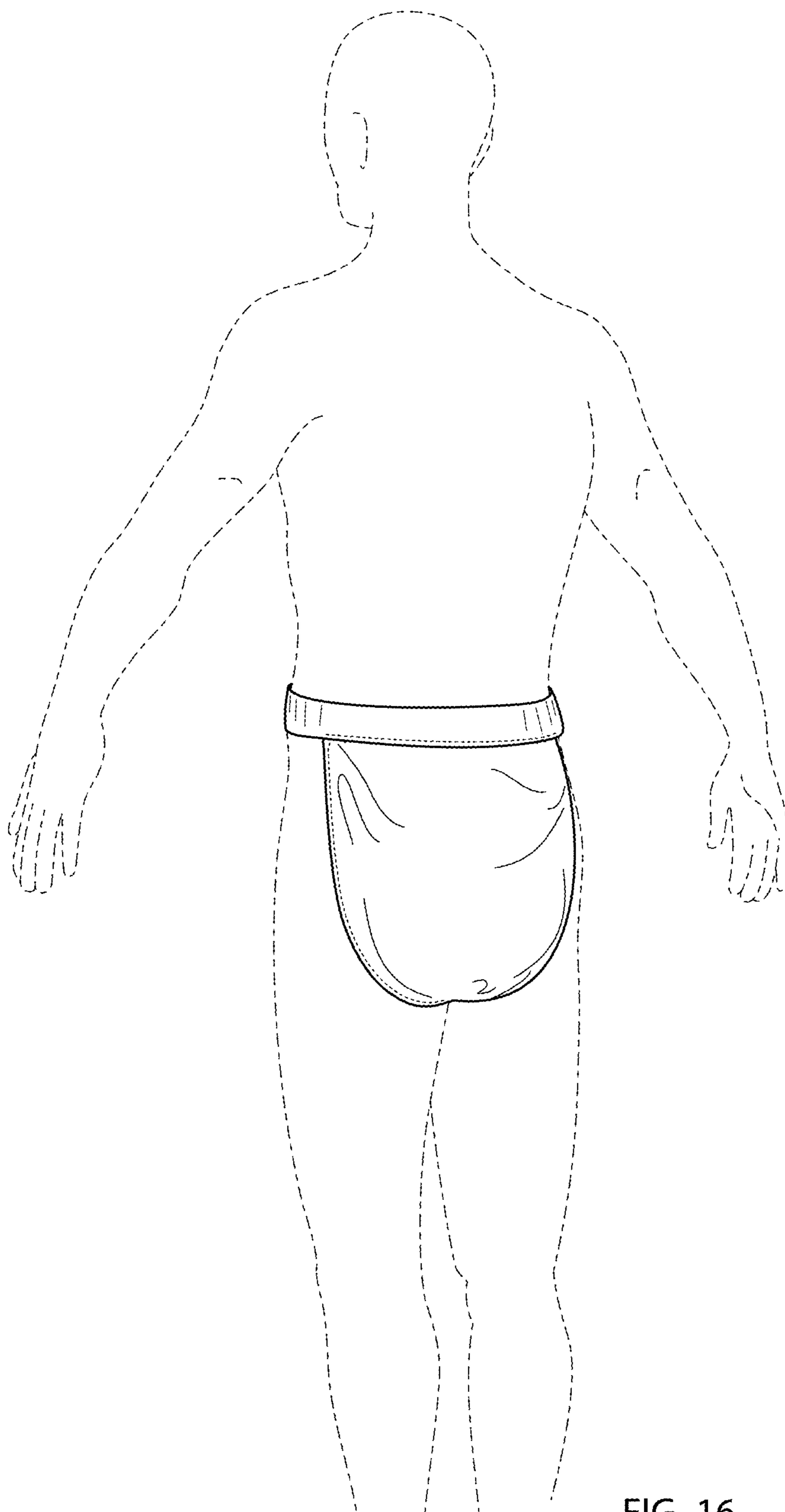


FIG. 16

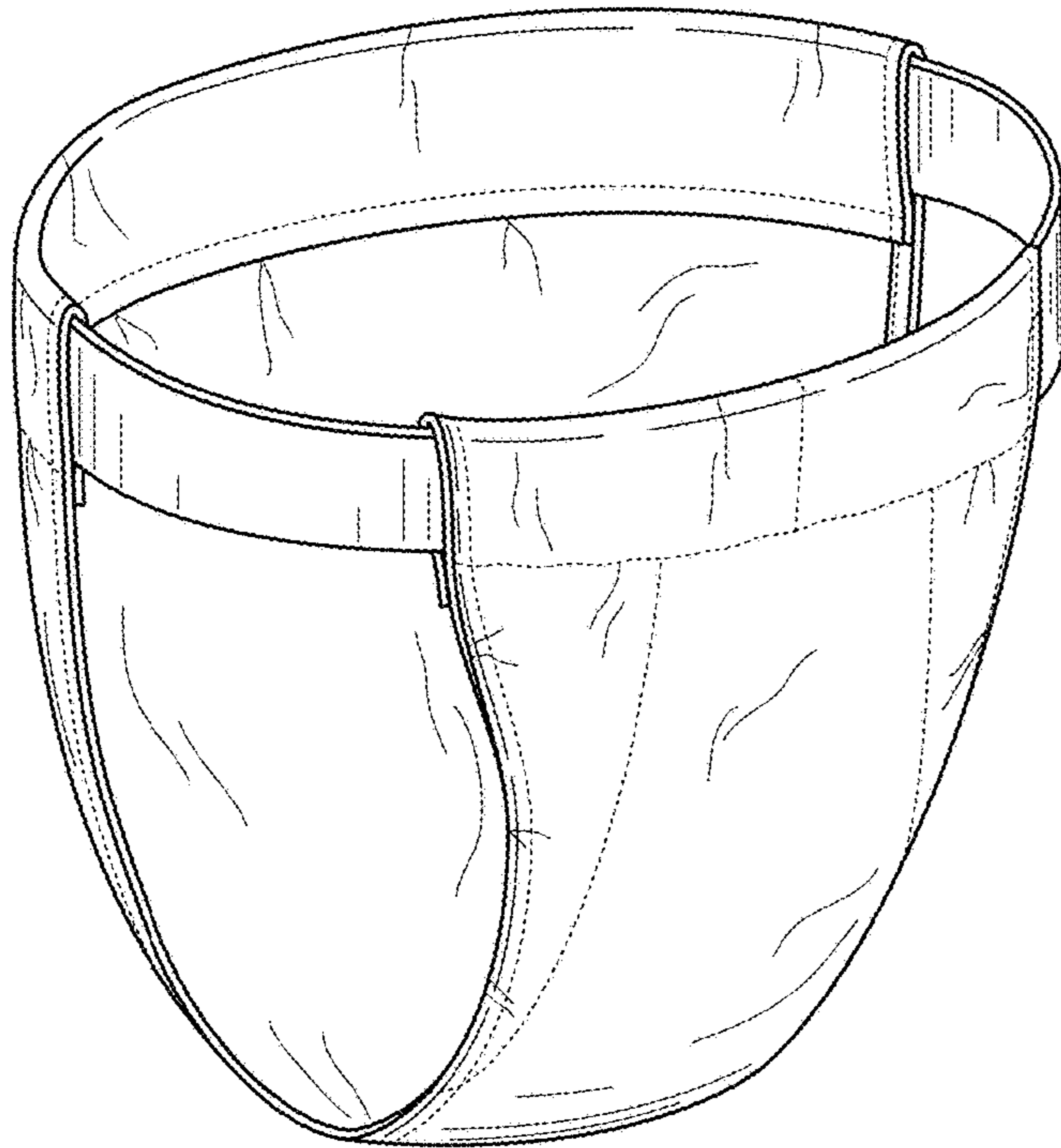


FIG. 17

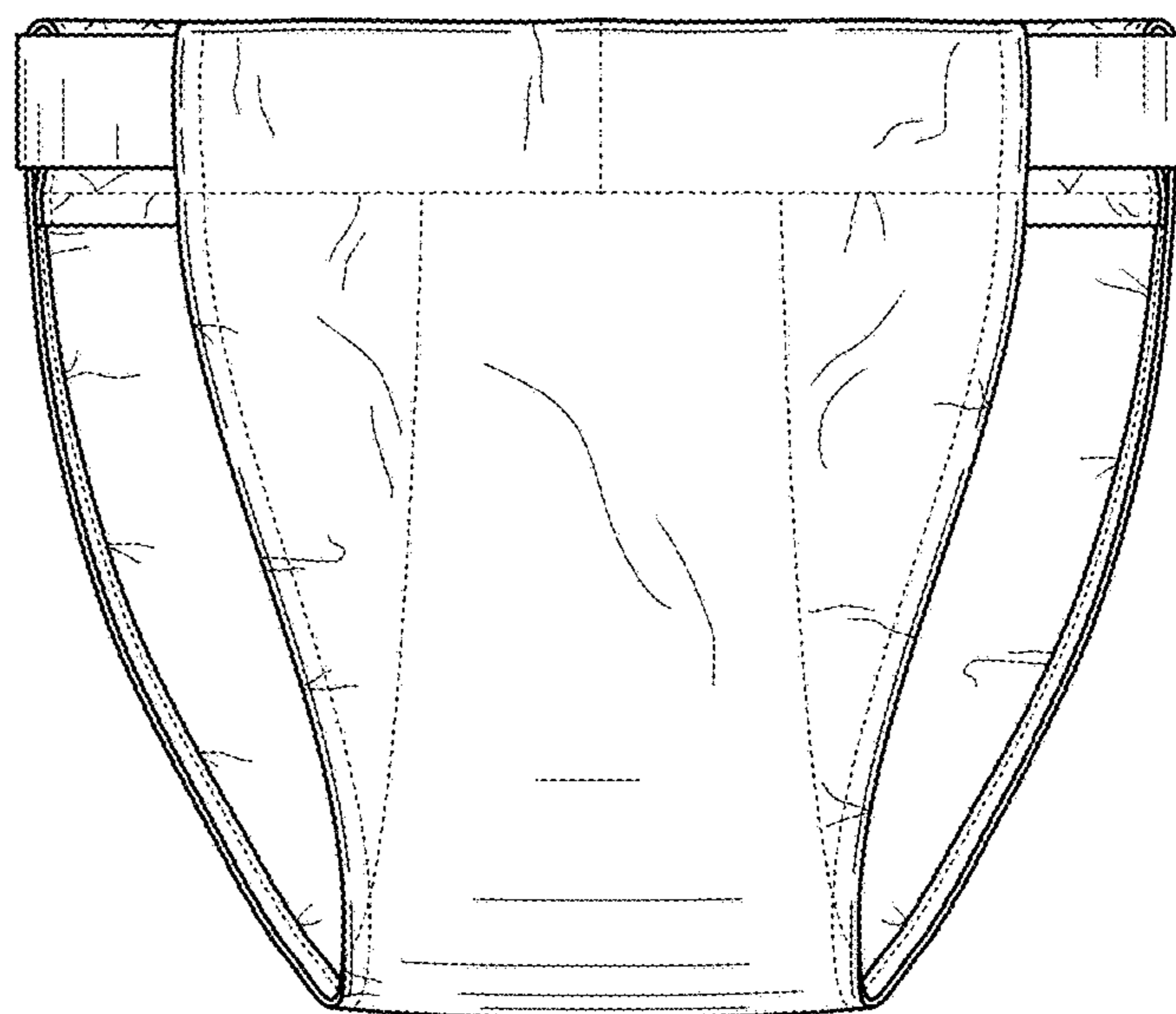


FIG. 18

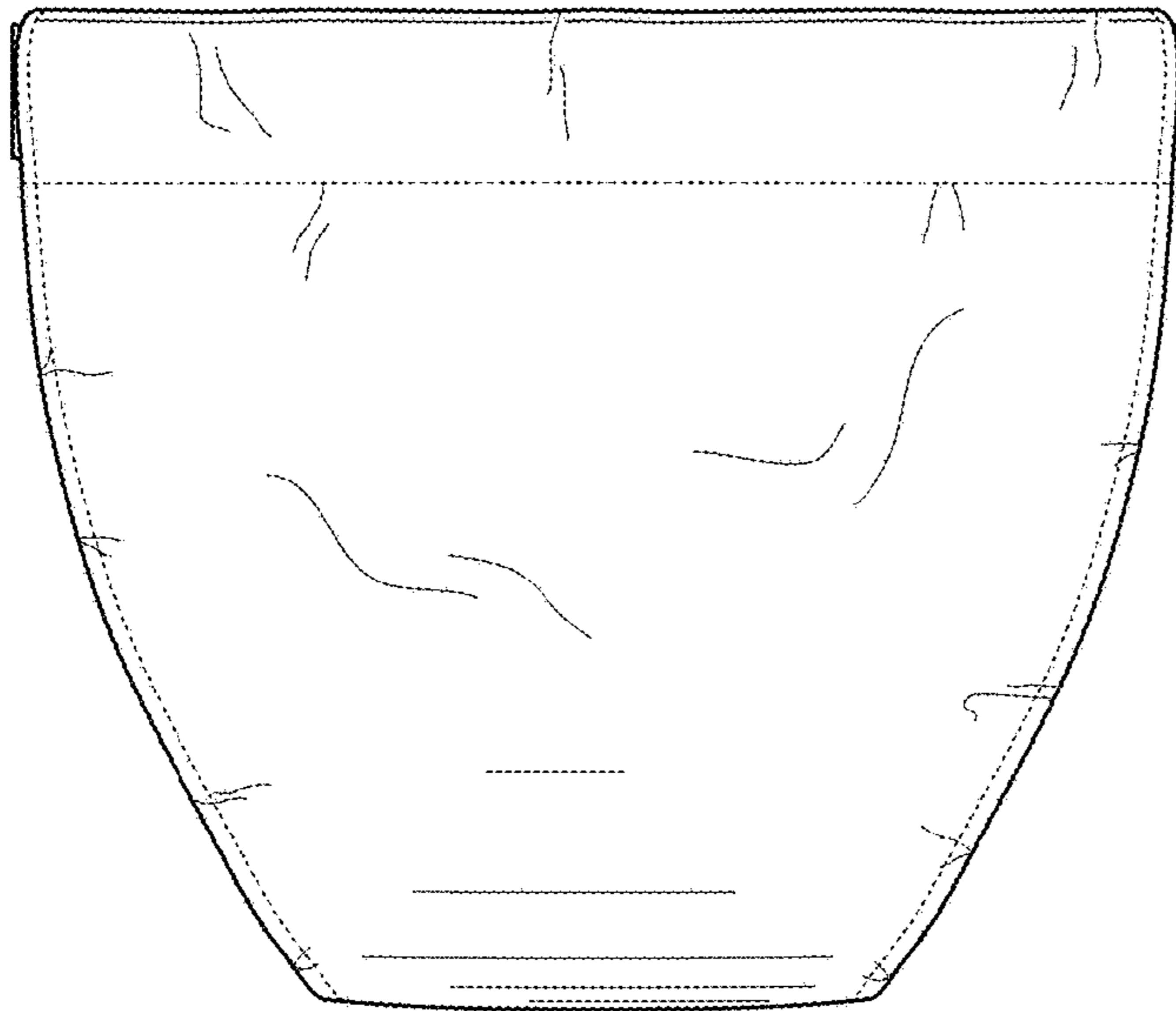


FIG. 19

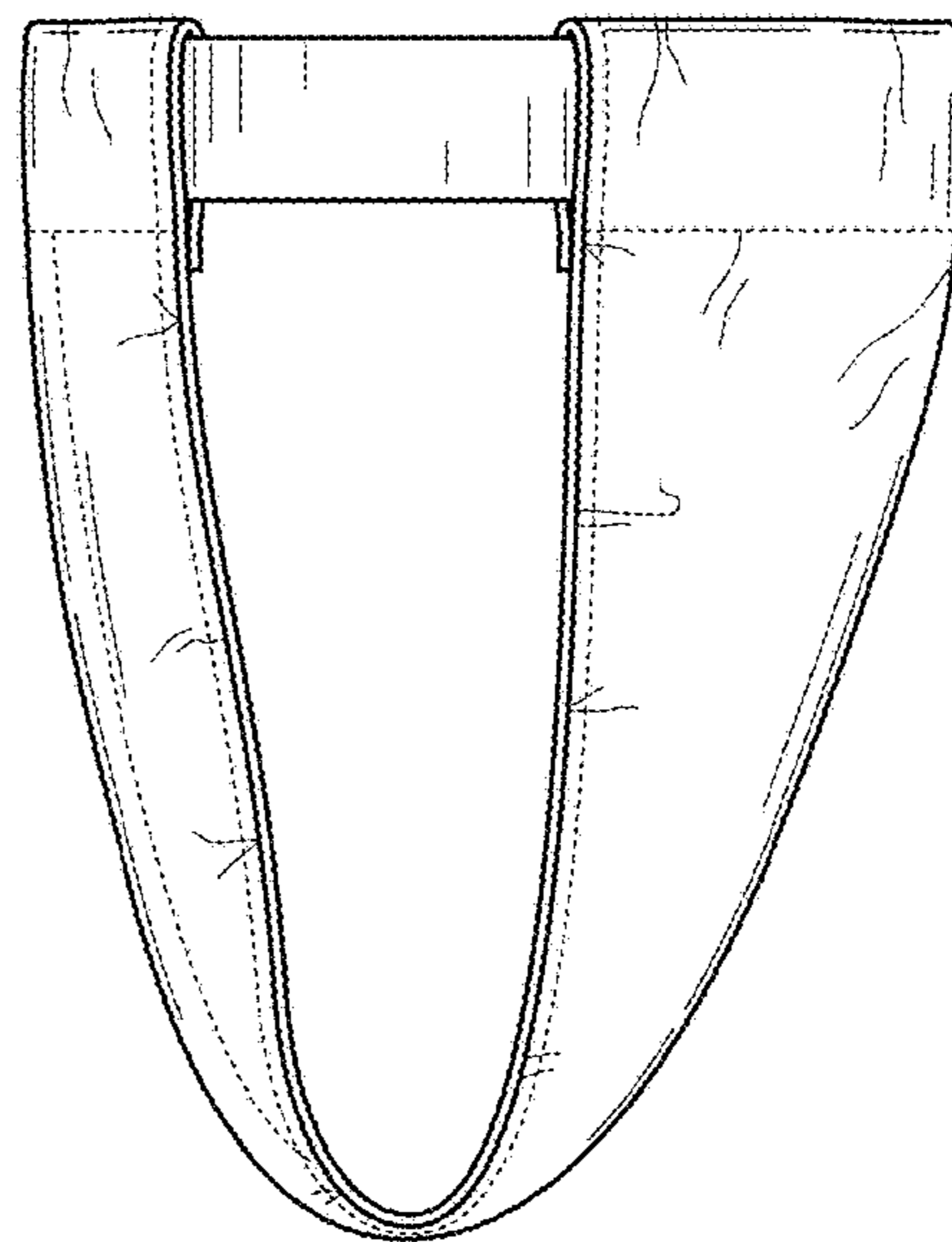


FIG. 20

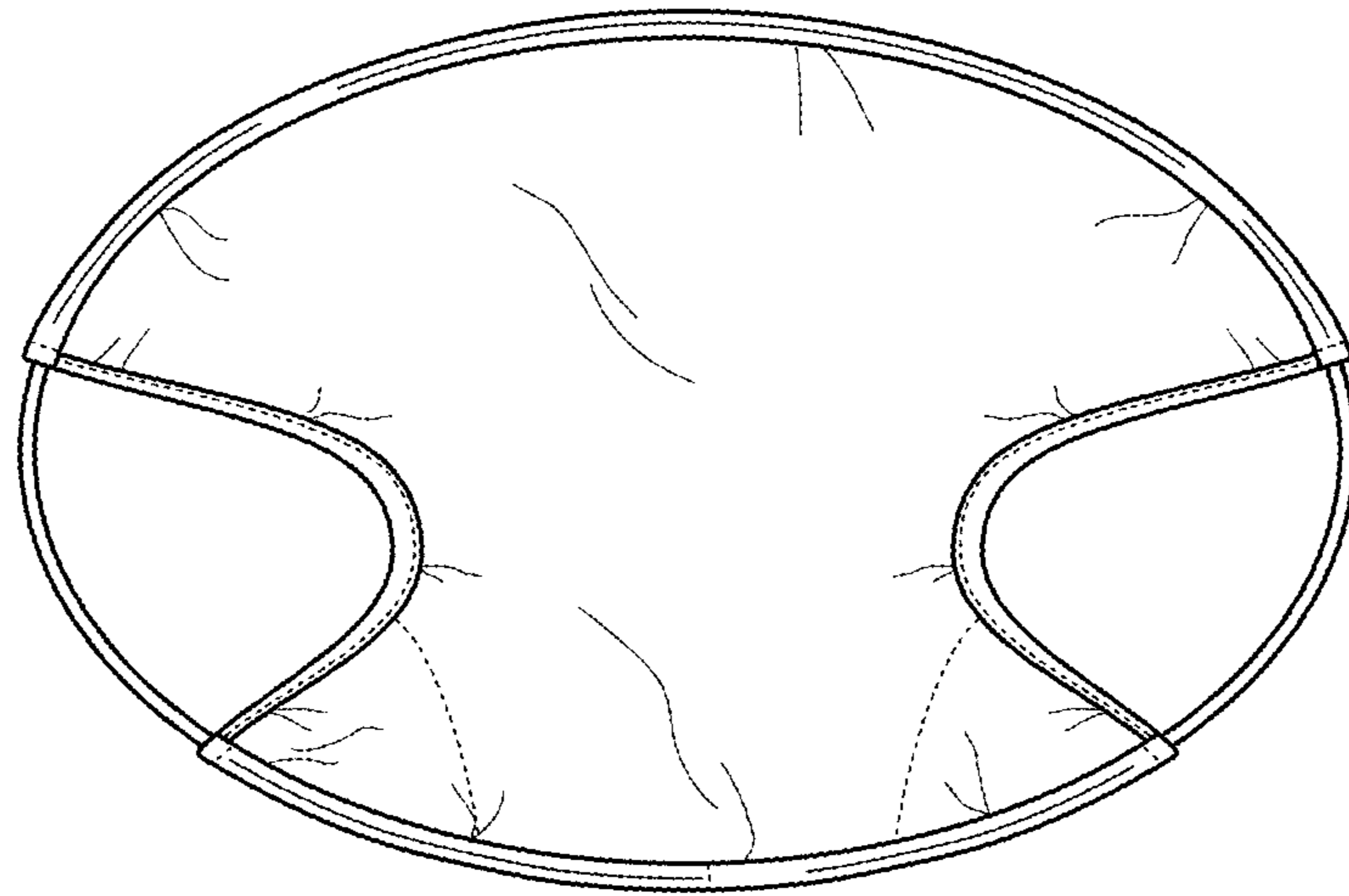


FIG. 21

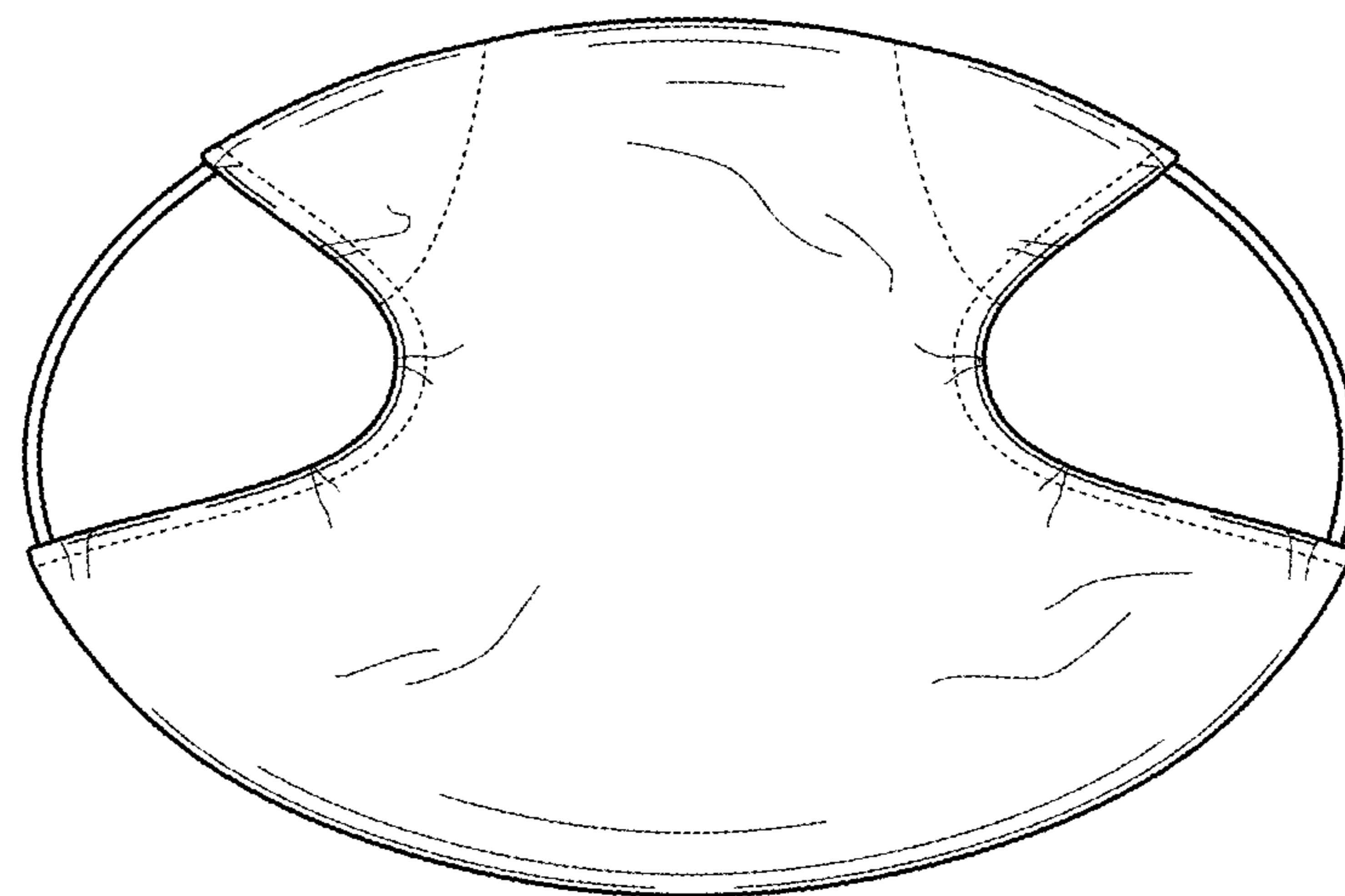


FIG. 22

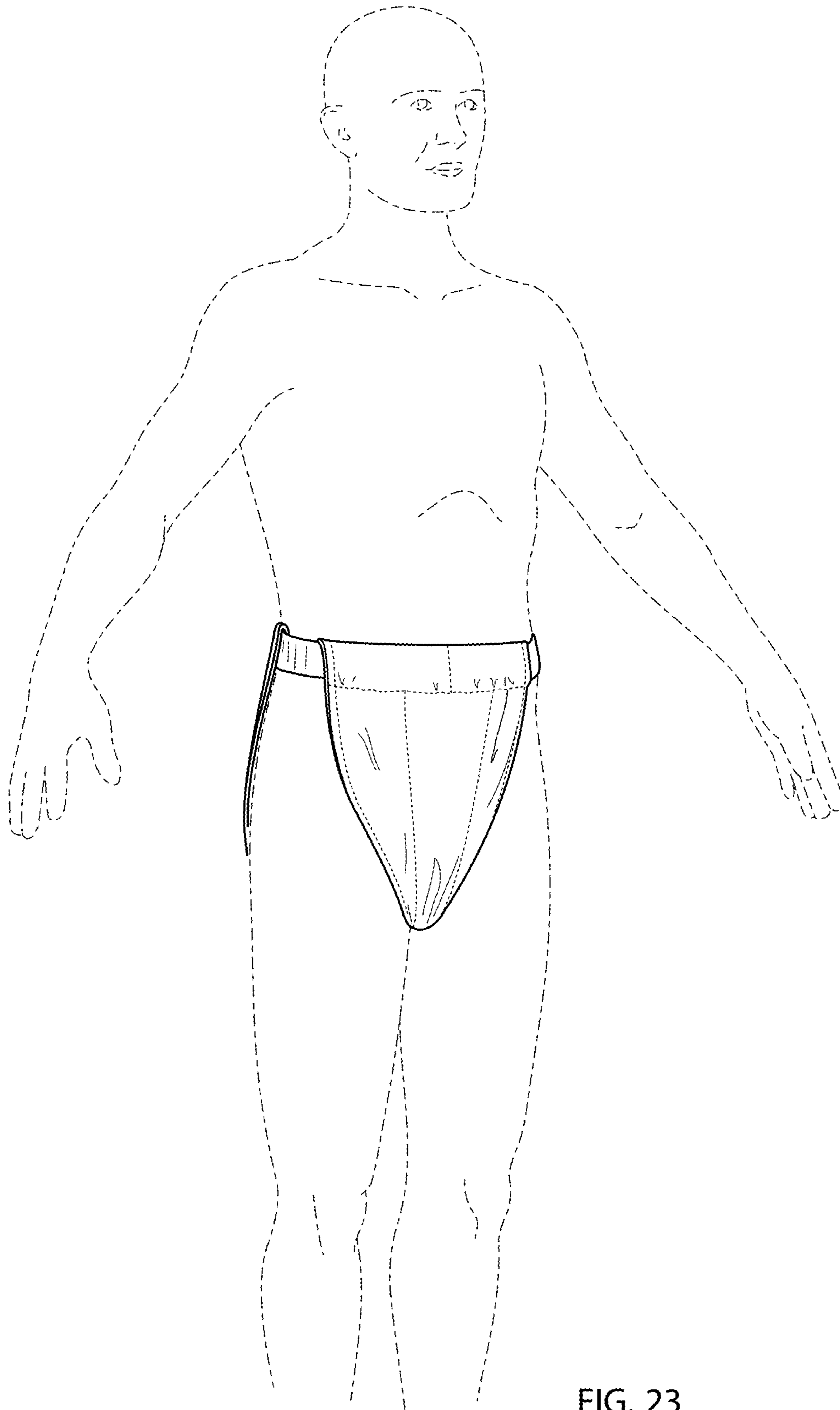


FIG. 23

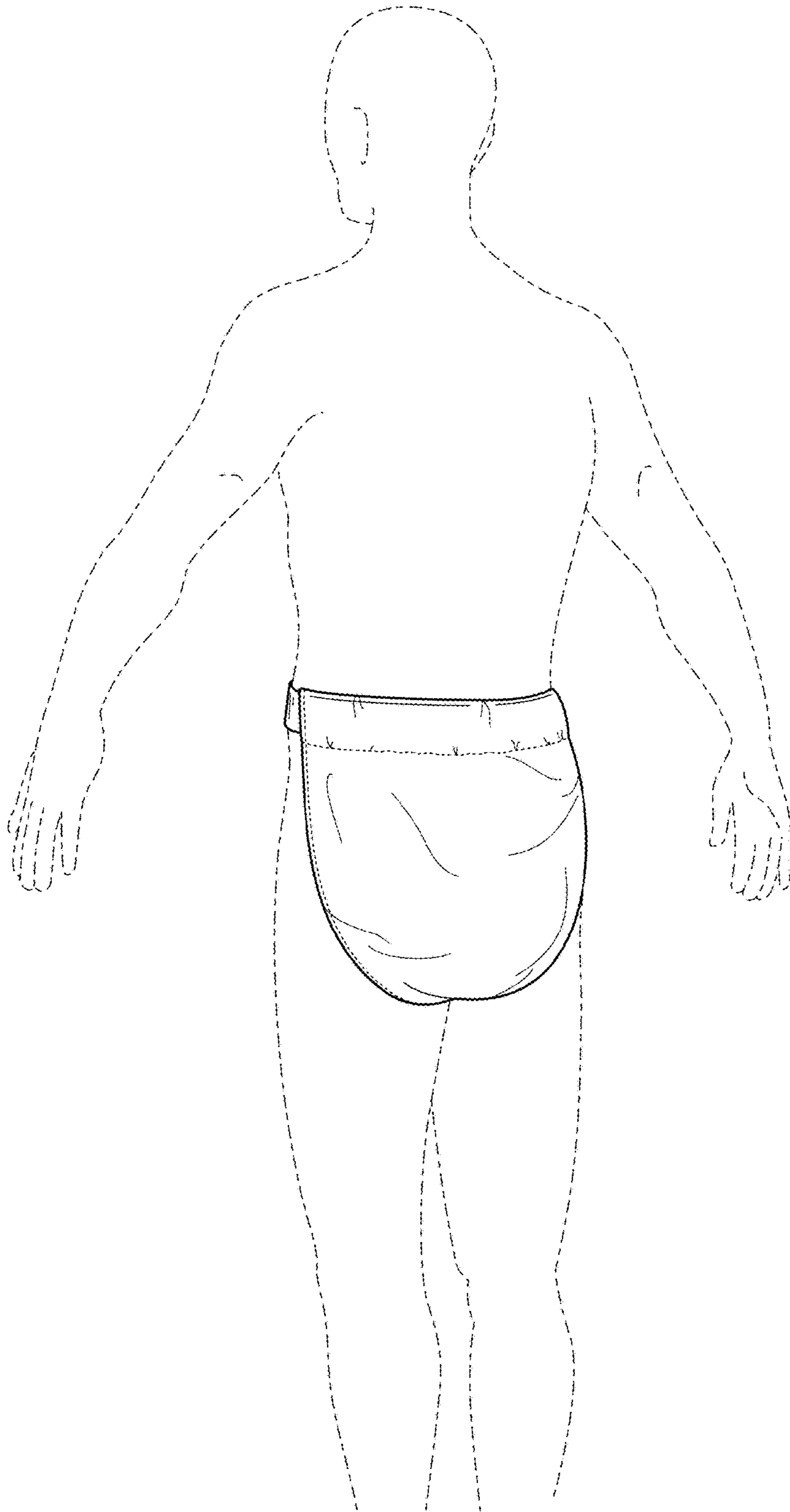


FIG. 24

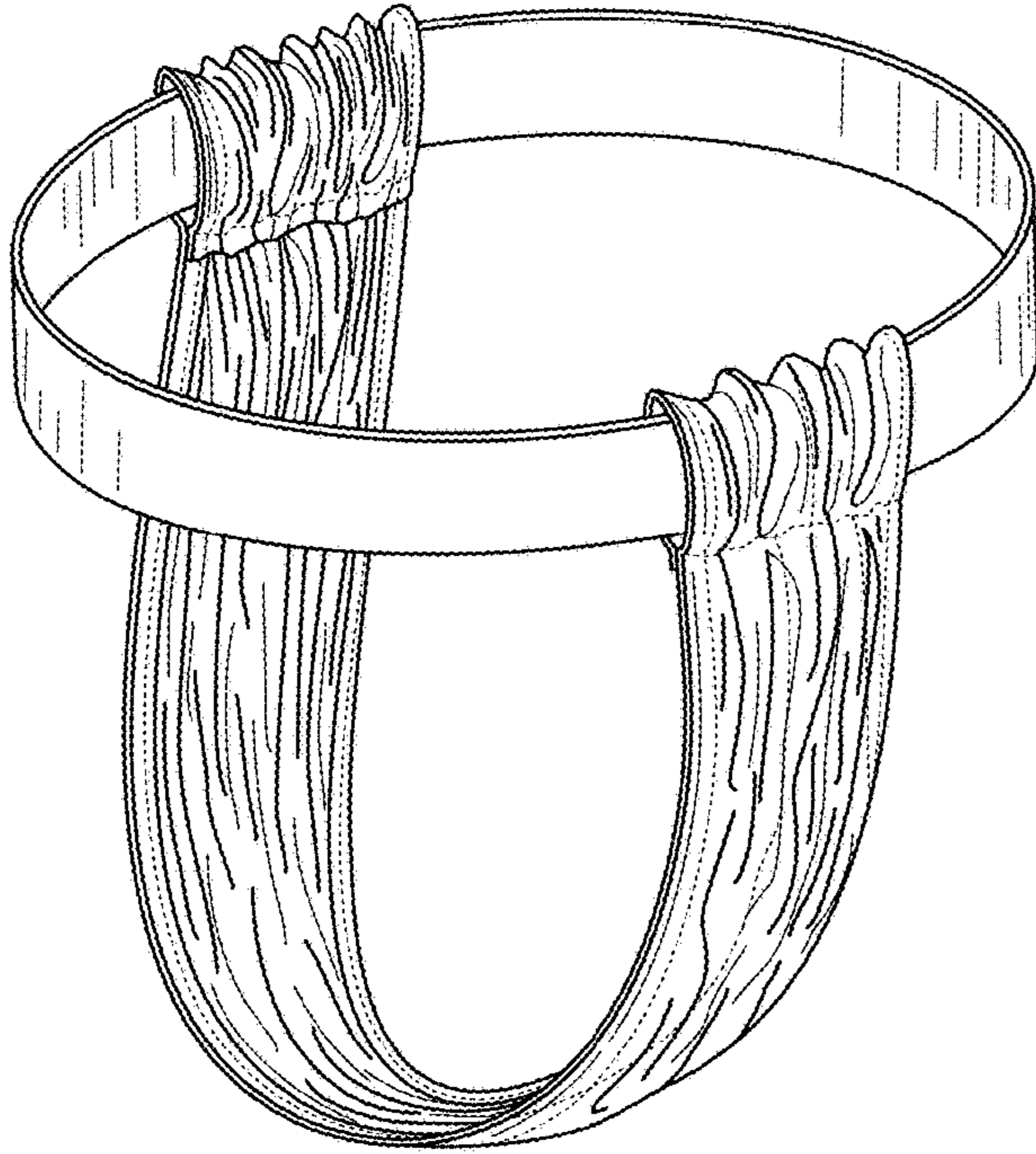


FIG. 25

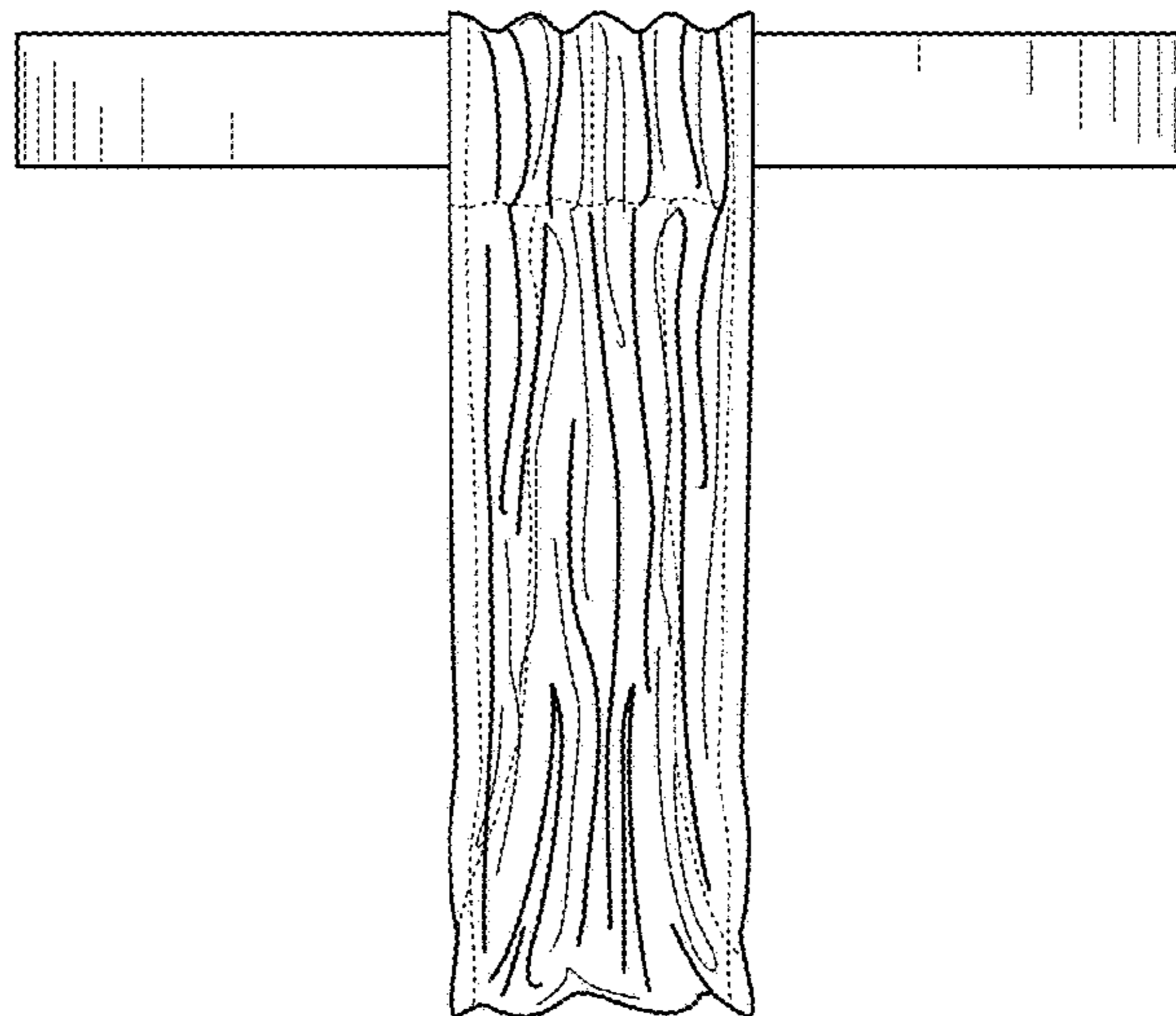


FIG. 26

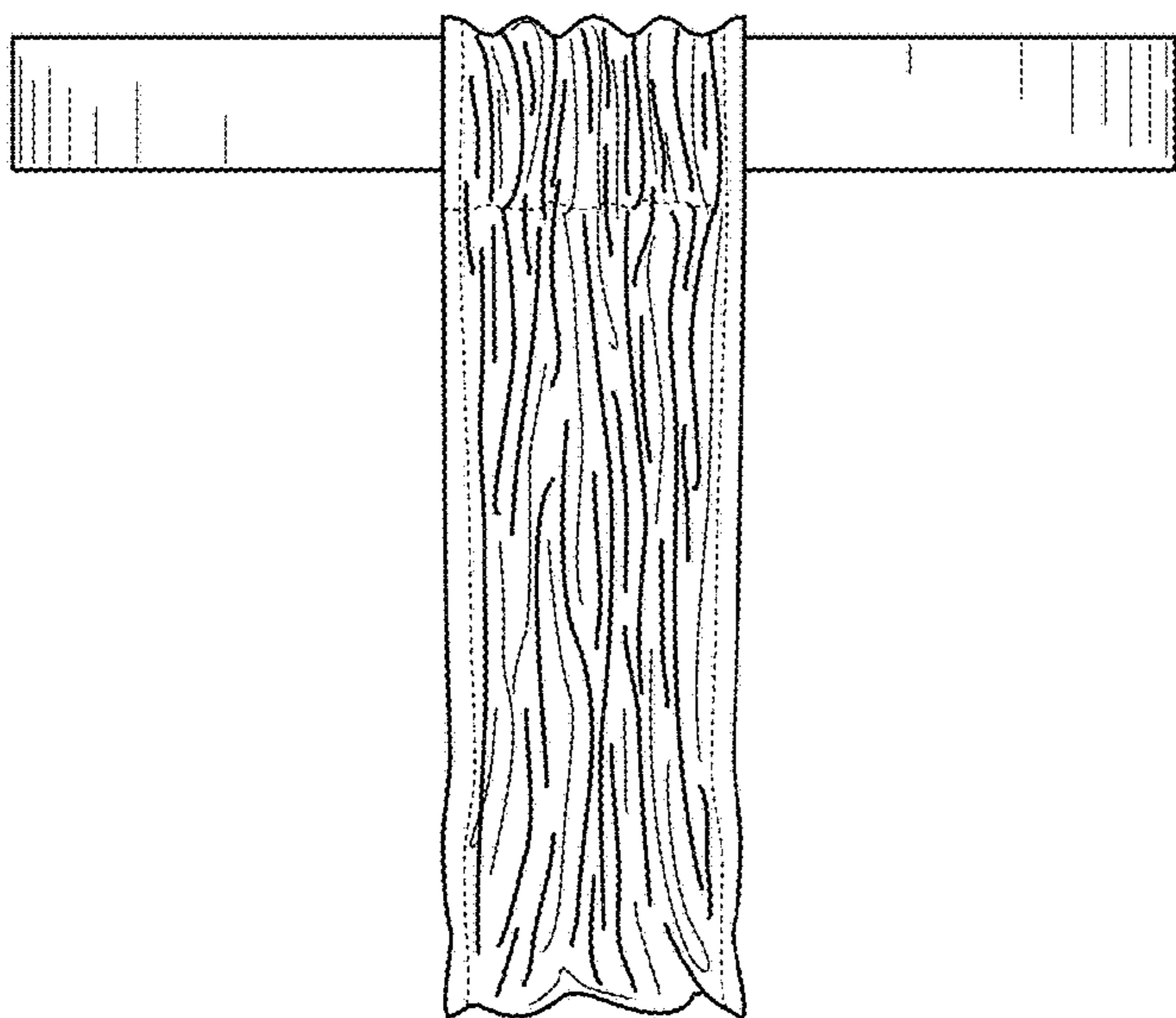


FIG. 27

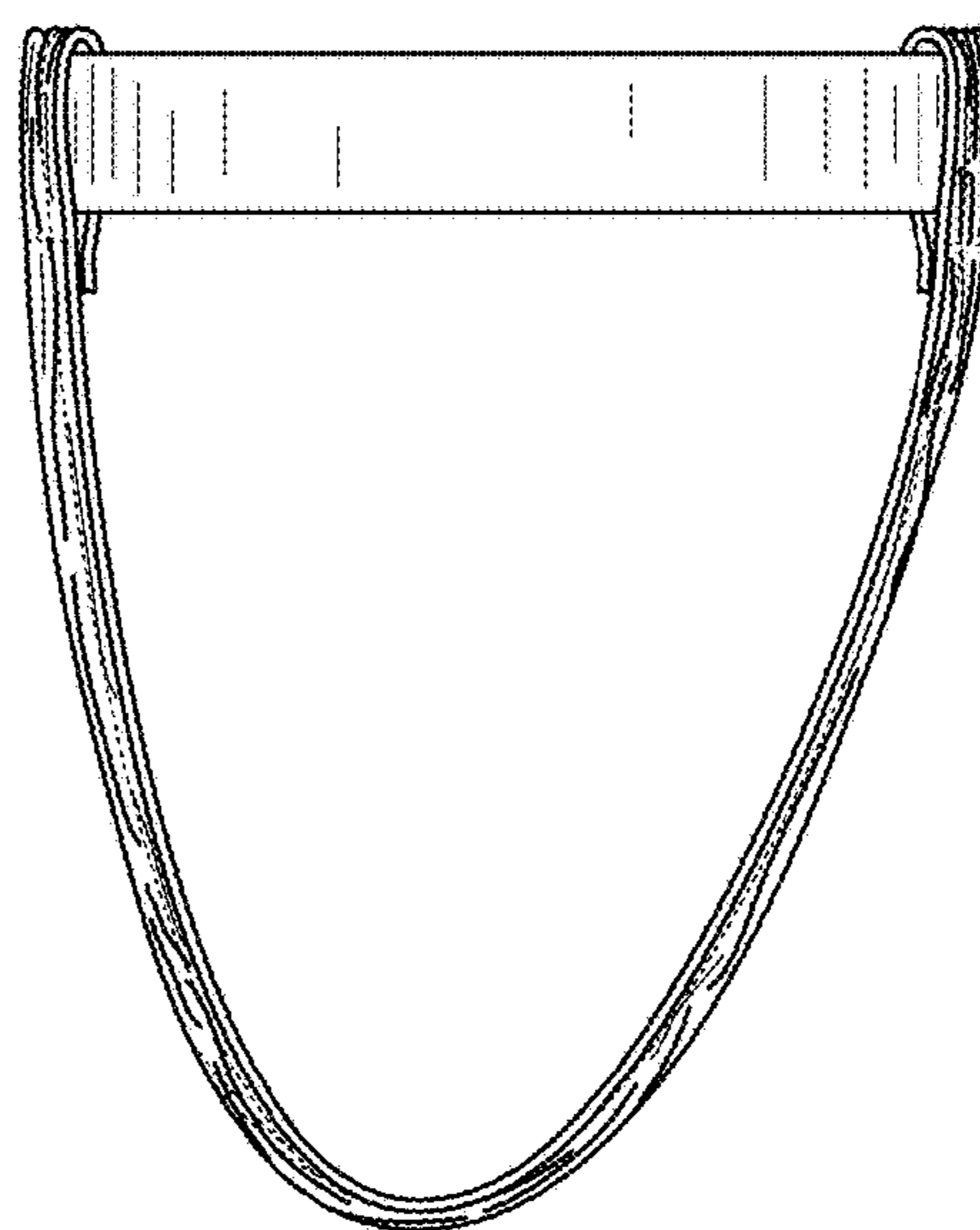


FIG. 28

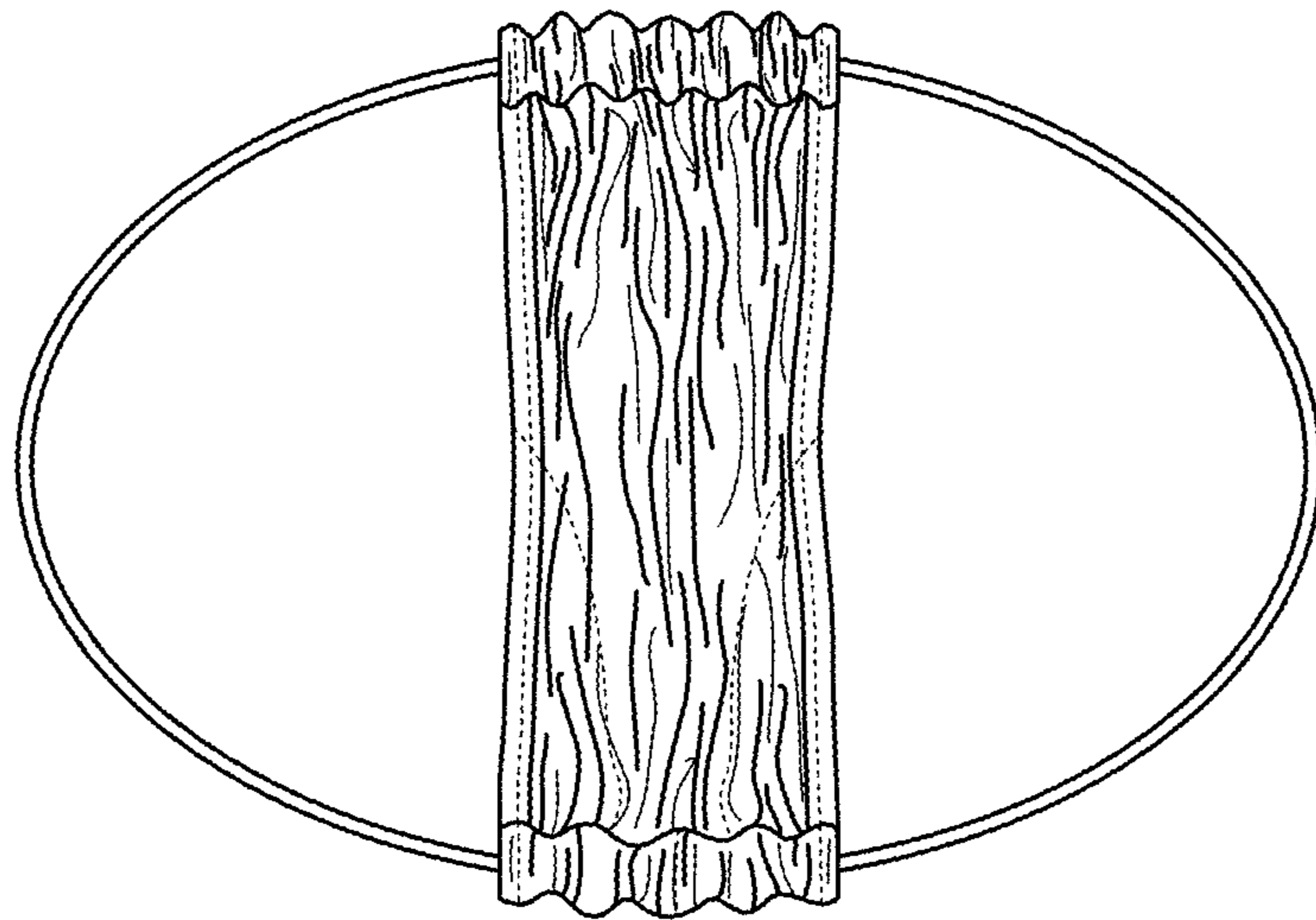


FIG. 29

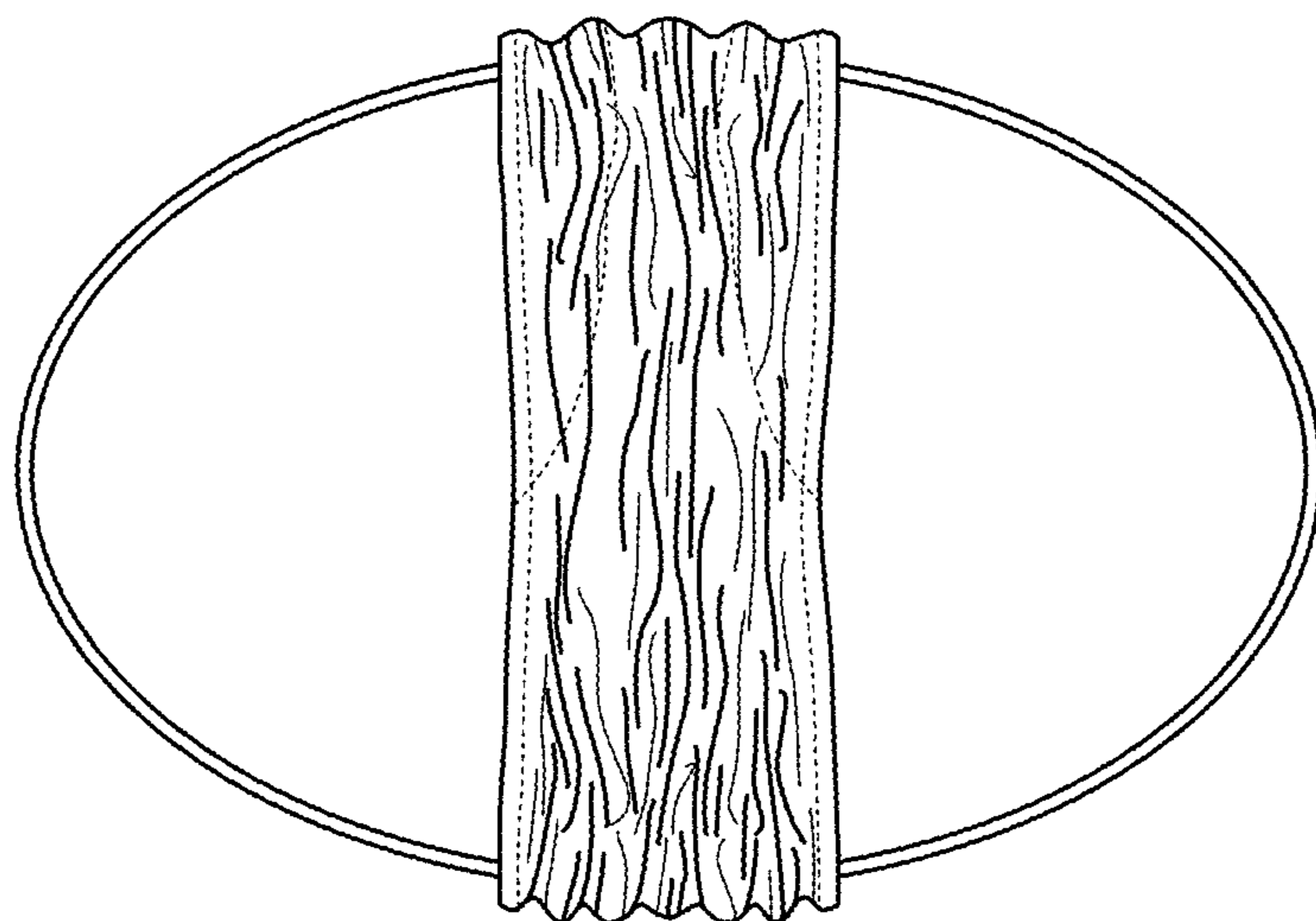


FIG. 30

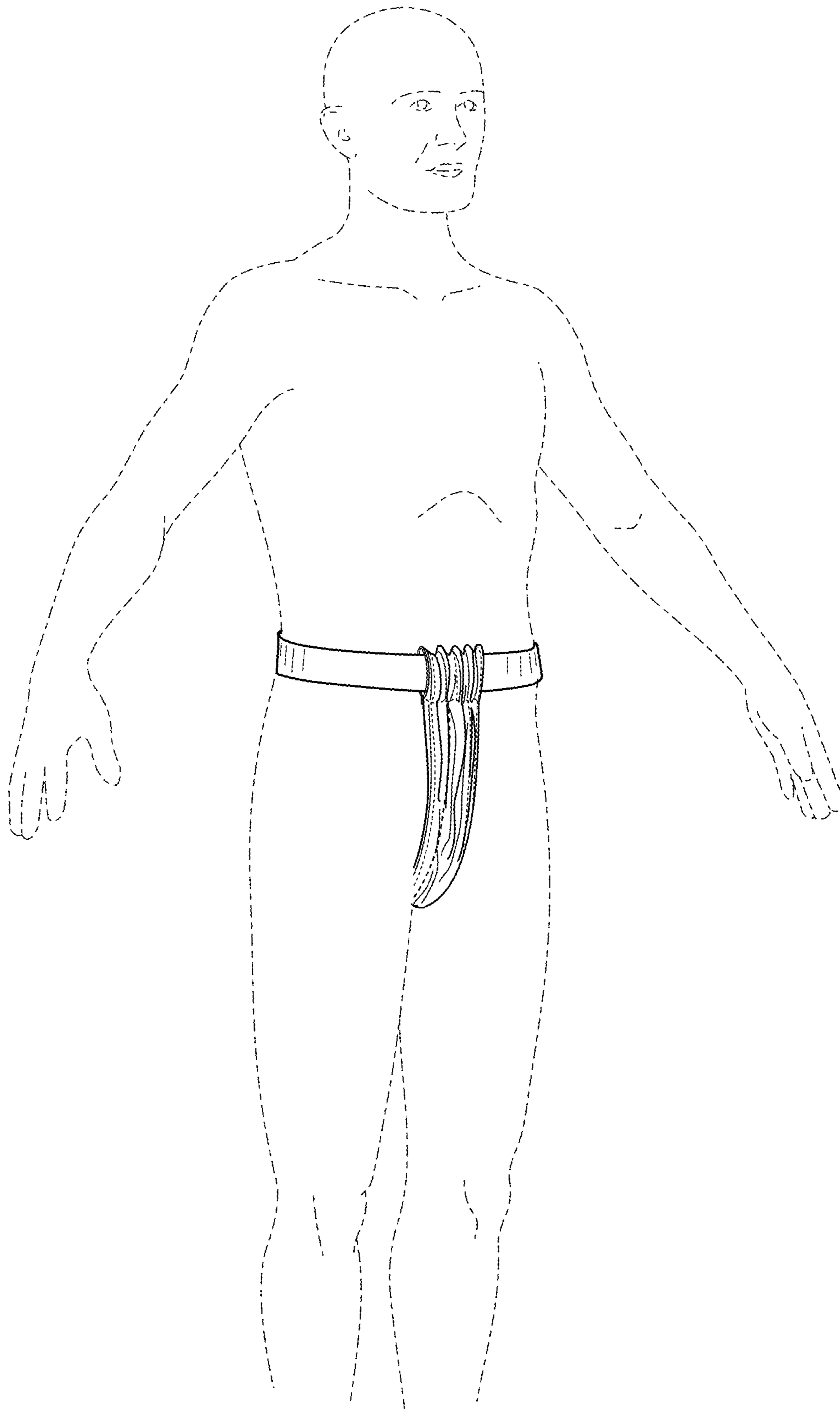


FIG. 31

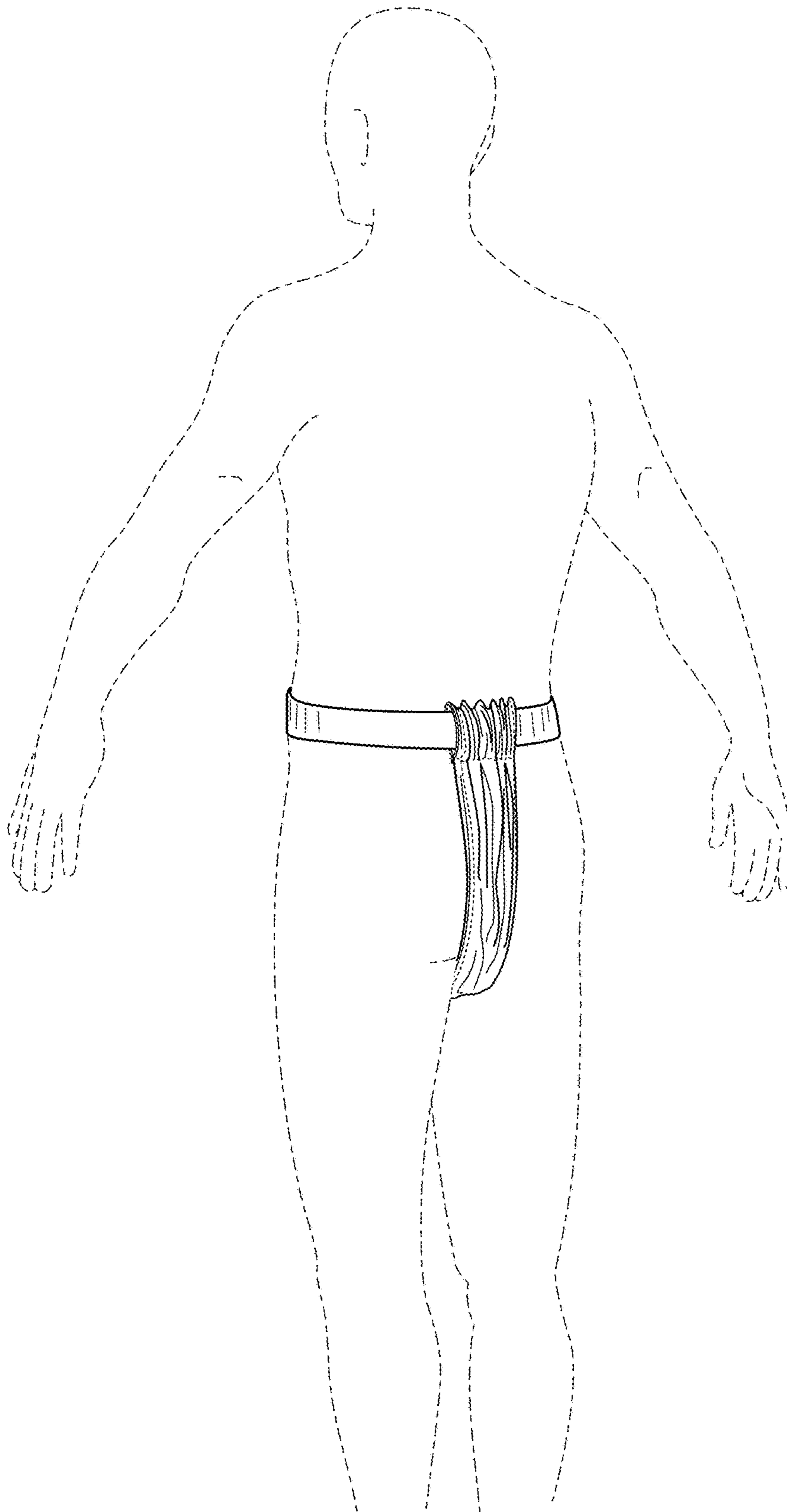


FIG. 32