



US00D815390S

(12) **United States Design Patent**  
**Adrianse**

(10) **Patent No.: US D815,390 S**  
(45) **Date of Patent: \*\* Apr. 17, 2018**

- (54) **INFANT HEAD HOLDING STRAP**
- (71) Applicant: **Carolina Adrianse**, Renton, WA (US)
- (72) Inventor: **Carolina Adrianse**, Renton, WA (US)
- (\*\*) Term: **15 Years**
- (21) Appl. No.: **29/540,215**
- (22) Filed: **Sep. 22, 2015**
- (51) **LOC (11) Cl.** ..... **02-07**
- (52) **U.S. Cl.**  
USPC ..... **D2/627**
- (58) **Field of Classification Search**  
USPC ..... D11/200, 218, 220; D2/865, 627, 635,  
D2/636, 637; D16/301; D29/100, 102  
CPC .... A47C 7/383; B60N 2/2839; B60N 2/4249;  
B60N 2/4879  
See application file for complete search history.

- 7,740,318 B2 \* 6/2010 Funke, III ..... A47C 7/383  
297/393
- 8,827,361 B2 \* 9/2014 Roybal ..... B60N 2/4249  
297/216.11
- 9,539,924 B2 \* 1/2017 Maassarani ..... B60N 2/4879

**FOREIGN PATENT DOCUMENTS**

WO WO2013009659 A1 1/2013

**OTHER PUBLICATIONS**

Amazon.com. "Hulisen 2Pcs Infants and Baby Head Support Pram Stroller Safety Seat Fastening Belt." First reviewed Jun. 27, 2016. Retrieved Jun. 19, 2017. ([https://www.amazon.com/HULISEN-Stroller-Fastening-Adjustable-Positioner/dp/B01JFQLMOW/ref=cm\\_cr\\_arp\\_d\\_product\\_top?ie=UTF8](https://www.amazon.com/HULISEN-Stroller-Fastening-Adjustable-Positioner/dp/B01JFQLMOW/ref=cm_cr_arp_d_product_top?ie=UTF8)).\*

\* cited by examiner

*Primary Examiner* — Karen S Acker  
*Assistant Examiner* — Jerry Shiuan-Hua Hsu

(56) **References Cited**

**U.S. PATENT DOCUMENTS**

- D211,975 S \* 8/1968 Steinborn ..... D2/627
- 4,413,358 A \* 11/1983 Jimenez ..... A41F 9/005  
2/311
- 4,607,885 A \* 8/1986 del Fierro ..... B60N 2/2839  
128/869
- 4,707,031 A \* 11/1987 Meistrell ..... A47C 7/383  
128/869
- D302,874 S \* 8/1989 Bossart ..... D2/627
- D303,318 S \* 9/1989 Clary ..... D29/101.5
- D339,428 S 9/1993 Swinea
- 5,988,752 A 11/1999 Richards
- D435,611 S \* 12/2000 Hines ..... D2/627
- 6,266,825 B1 7/2001 Floyd
- 6,607,245 B1 8/2003 Scher
- 6,805,403 B2 10/2004 Buch
- 6,957,462 B1 \* 10/2005 Wilcox ..... A47C 7/383  
297/393
- D564,406 S \* 3/2008 Chandler ..... D11/200
- 7,628,456 B1 \* 12/2009 Swartz ..... A47C 7/383  
297/393

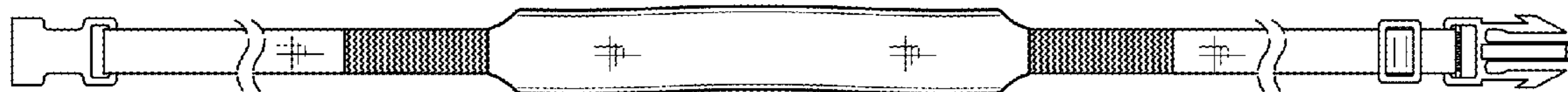
(57) **CLAIM**

I claim the ornamental design for an infant head holding strap, as shown and described.

**DESCRIPTION**

FIG. 1 is a front view of the infant head holding strap.  
FIG. 2 is a back view of the claimed design.  
FIG. 3 is a top view of the claimed design.  
FIG. 4 is a bottom view of the claimed design.  
FIG. 5 is a side view of the claimed design.  
FIG. 6 is a perspective view of the claimed design; and,  
FIG. 7 is a perspective view of the claimed design as appears on a car seat and child.  
The infant head holding strap includes two symbolic breaks along its length drawn in broken line. The area between the break lines forms no part of the claimed design.

**1 Claim, 4 Drawing Sheets**



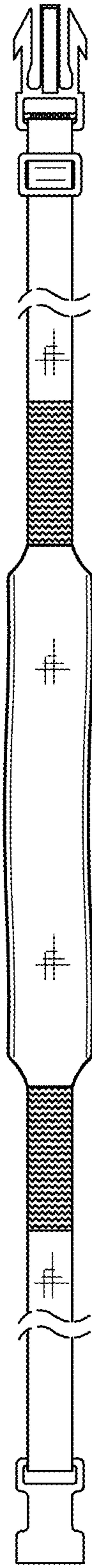


FIG. 1

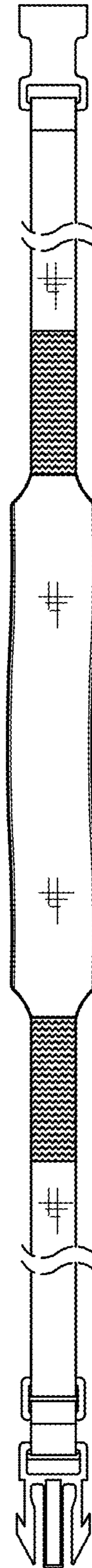


FIG. 2



FIG. 3

FIG. 4

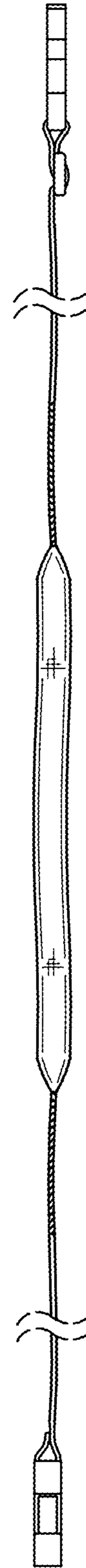


FIG. 5

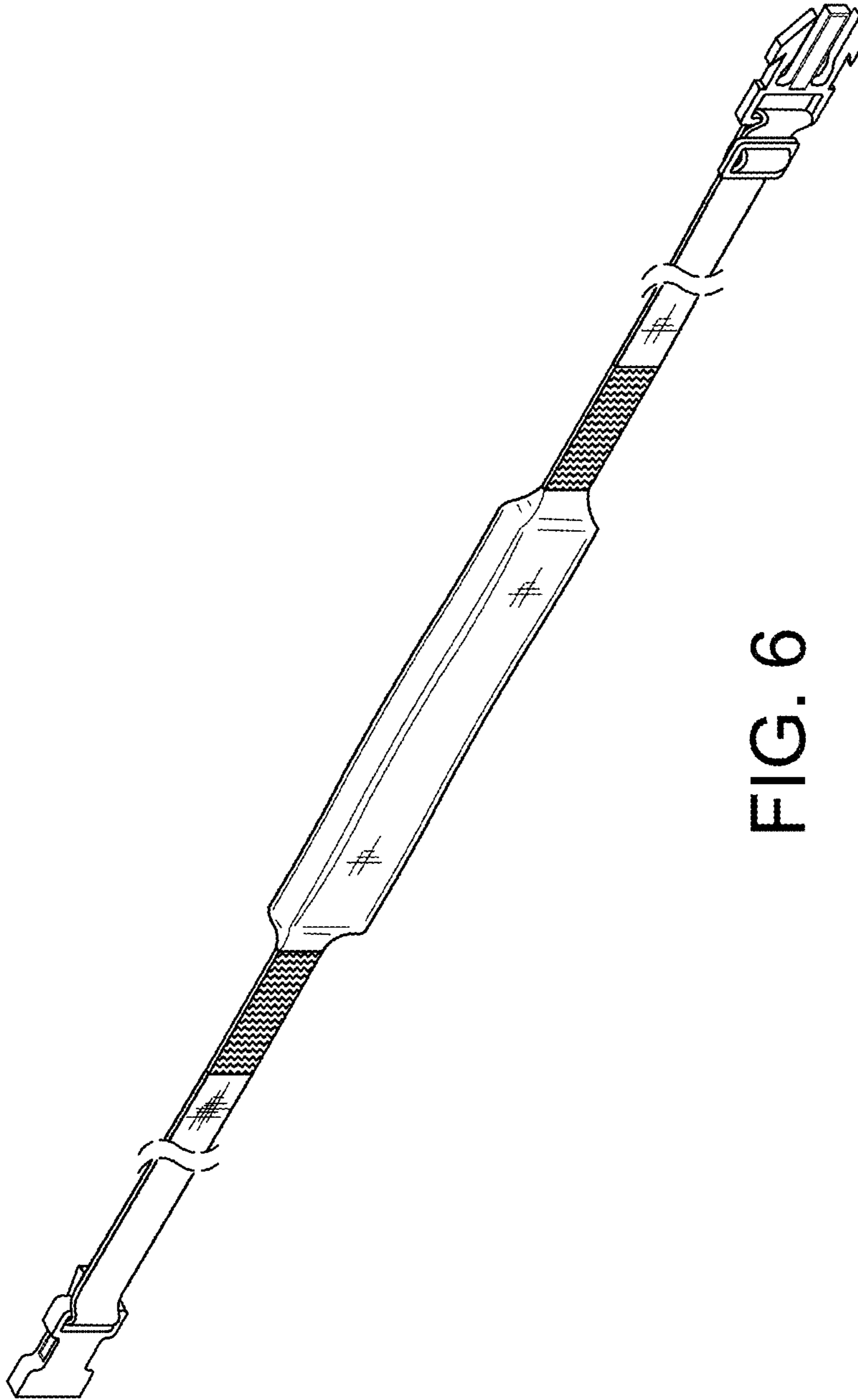


FIG. 6



FIG. 7