



US00D815389S

(12) **United States Design Patent**
Hu

(10) **Patent No.:** **US D815,389 S**

(45) **Date of Patent:** **** Apr. 10, 2018**

(54) **SAFE LOCK PANEL**

(71) Applicant: **MaxHome Premium Products LLC**,
Herndon, VA (US)

(72) Inventor: **Xinxue Hu**, Suzhou (CN)

(73) Assignee: **MAXHOME PREMIUM PRODUCTS LLC**, Herndon, VA (US)

(**) Term: **15 Years**

(21) Appl. No.: **29/590,507**

(22) Filed: **Jan. 11, 2017**

(51) **LOC (11) Cl.** **99-00**

(52) **U.S. Cl.**
USPC **D99/43**

(58) **Field of Classification Search**
USPC D99/28, 43, 99; D8/330, 331, 332, 344,
D8/349, 350, 353
CPC .. E05B 65/00; E05B 65/0007; E05B 65/0014;
E05B 65/0021; E05B 65/0032; E05B
65/0075; E05B 65/0078; E05G 1/00;
E05G 1/005; E05G 1/02; E05G 1/024;
E05G 1/026; E05G 1/04; E05G 5/00;
E05G 5/003; E05G 5/02; E05G 2700/00;
E05G 2700/02
See application file for complete search history.

(56) **References Cited**

U.S. PATENT DOCUMENTS

4,595,828 A * 6/1986 Lundblad G07F 19/20
235/379
4,669,394 A * 6/1987 Fogleman E05G 1/02
109/59 T
D291,019 S * 7/1987 Druihet D8/302
D294,764 S * 3/1988 Fincke D13/164
D298,921 S * 12/1988 Berry, Sr. D10/41

D301,311 S * 5/1989 Matsuda D10/41
D316,471 S * 4/1991 Austin D99/43
5,609,051 A * 3/1997 Donaldson E05B 47/0673
340/5.54
D433,553 S * 11/2000 Goldstein D18/4.6
D461,617 S * 8/2002 Gardner D99/28
D485,041 S * 1/2004 Paris D99/28
D485,042 S * 1/2004 Paris D99/28
D485,419 S * 1/2004 Paris D99/28
D485,960 S * 1/2004 Paris D99/43
D488,910 S * 4/2004 Lynch D99/43
D495,113 S * 8/2004 Lynch D6/705.5
D498,895 S * 11/2004 Lynch D99/28
D503,255 S * 3/2005 Lynch D6/705.5
D505,530 S * 5/2005 Nelson D99/28
D512,898 S * 12/2005 Metivier D10/106.1
D557,875 S * 12/2007 Stuhlberg D99/28
D715,015 S * 10/2014 Measom D99/43
D748,365 S * 1/2016 Nelson D99/28
D748,889 S * 2/2016 Ng D99/28
D758,040 S * 5/2016 Osiecki D99/43
D758,690 S * 6/2016 Miller D99/28
D759,340 S * 6/2016 Nelson D99/43
9,441,409 B2 * 9/2016 Smietana E05G 1/04

* cited by examiner

Primary Examiner — Elizabeth J Oswecki
(74) *Attorney, Agent, or Firm* — SZDC Law P.C.

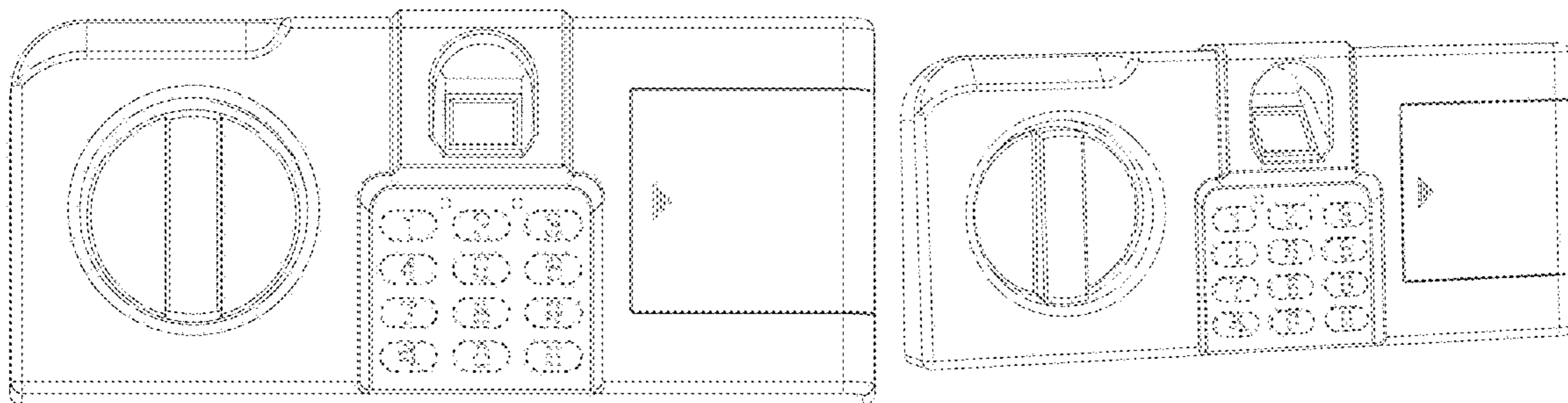
(57) **CLAIM**

The ornamental design for a safe lock panel, as shown and described.

DESCRIPTION

FIG. 1 is a front view of a safe lock panel showing my new design; and,
FIG. 2 is a front perspective view thereof.
The broken lines shown in the drawings represent portions of the safe lock panel that form no part of the claimed design.

1 Claim, 1 Drawing Sheet



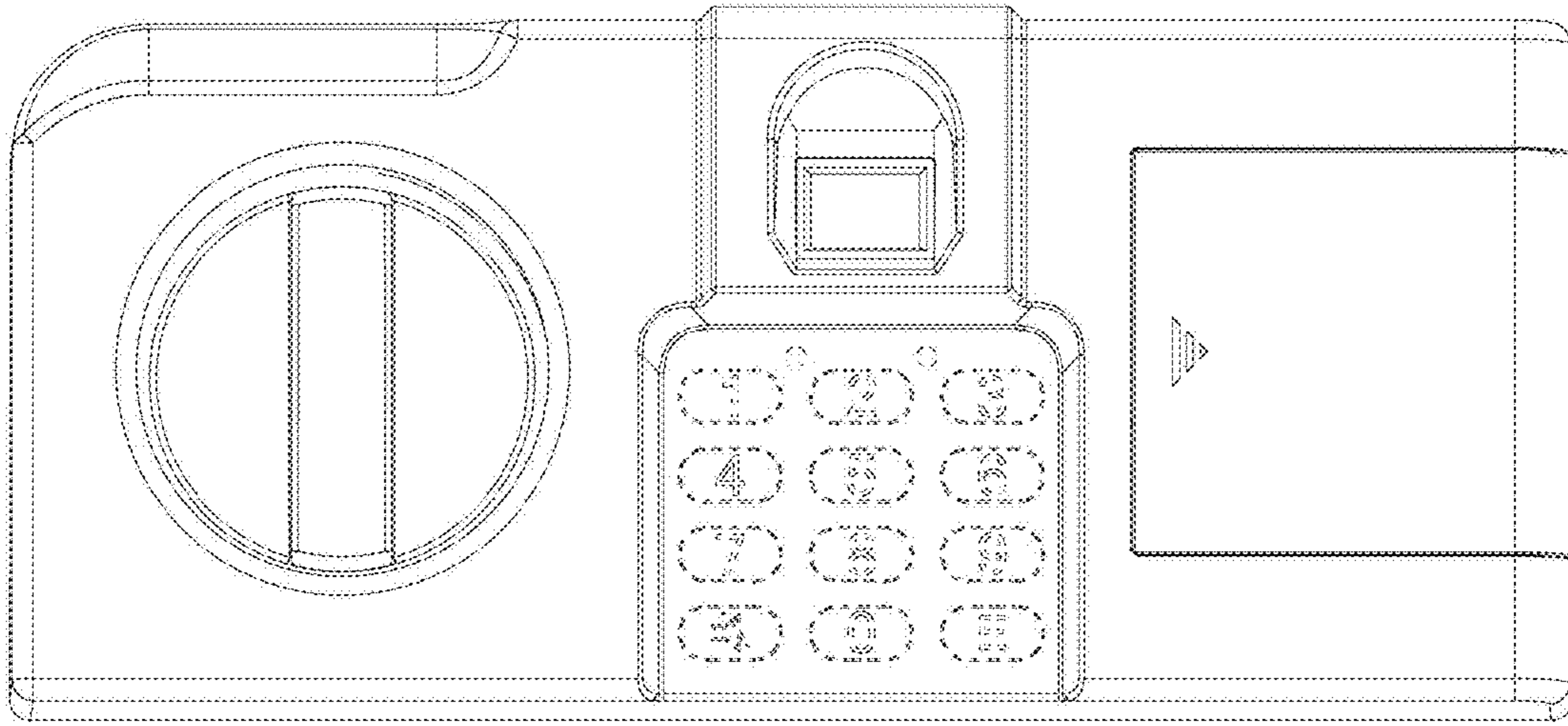


Figure 1

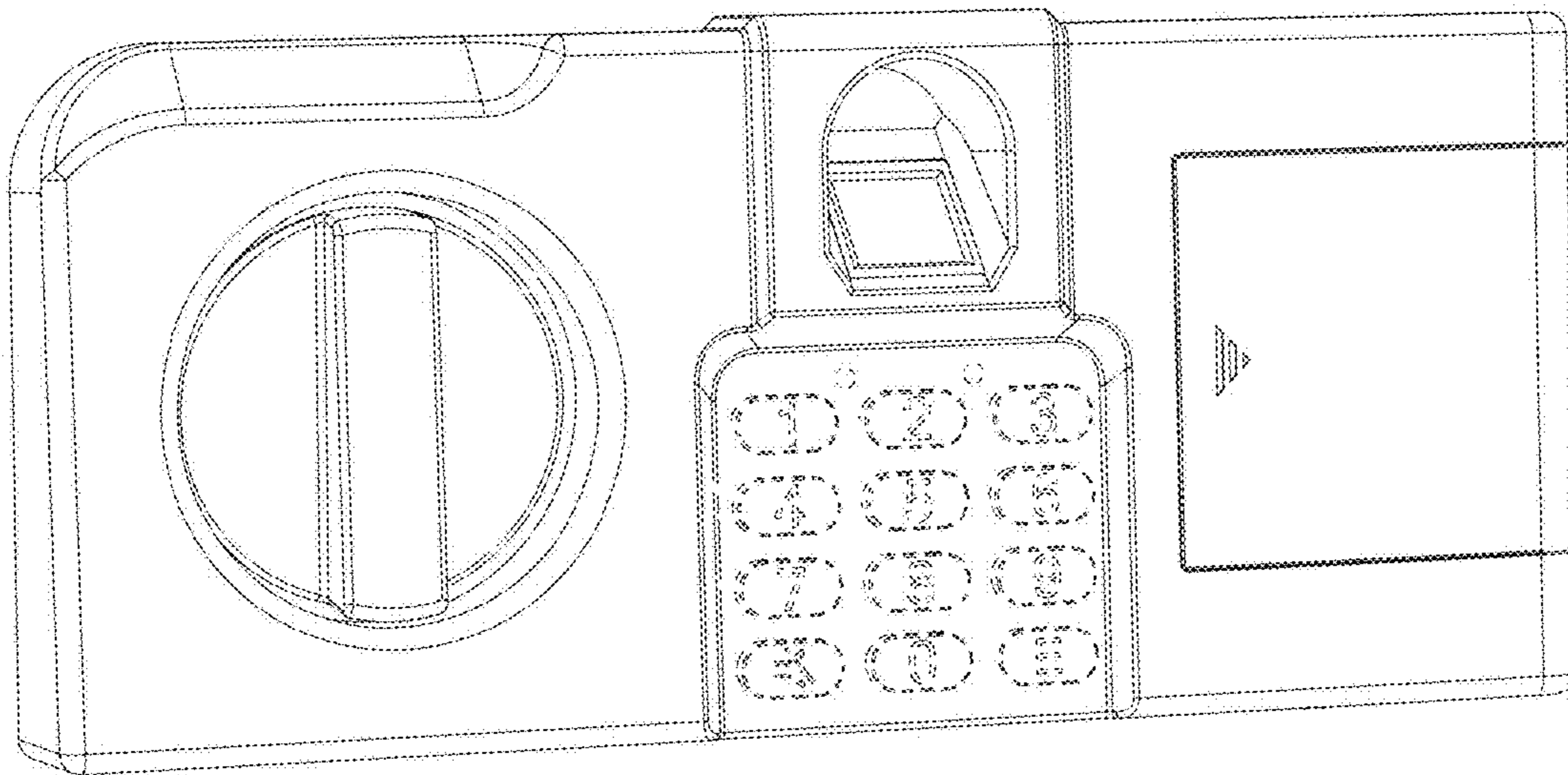


Figure 2