



US00D815387S

(12) **United States Design Patent**
Cepin

(10) **Patent No.:** **US D815,387 S**

(45) **Date of Patent:** **** Apr. 10, 2018**

(54) **LIFTING DEVICE**

(71) Applicant: **Mitja Cepin**, Sencur (SI)

(72) Inventor: **Mitja Cepin**, Sencur (SI)

(**) Term: **15 Years**

(21) Appl. No.: **35/501,243**

(22) Filed: **Jan. 22, 2016**

(80) **Hague Agreement Data**

Int. Filing Date: **Jan. 22, 2016**

Int. Reg. No.: **DM/090821**

Int. Reg. Date: **Jan. 22, 2016**

Int. Reg. Pub. Date: **Jul. 22, 2016**

(51) **LOC (11) Cl.** **12-05**

(52) **U.S. Cl.**

USPC **D34/34**

CPC **B66F 3/00** (2013.01)

(58) **Field of Classification Search**

USPC D34/12-17, 21-28, 34, 38; 414/2, 7,
414/592; 180/19.1-19.3; 280/43.12,
280/43.13, 160

CPC .. B62B 1/125; B62B 1/20; B62B 1/24; B62B
1/26; B62B 2206/006; B62B 3/027; B62B
3/022

See application file for complete search history.

(56) **References Cited**

U.S. PATENT DOCUMENTS

4,589,669 A * 5/1986 Kedem B62B 3/0618
254/2 R

D346,680 S * 5/1994 Lee D34/28

D401,716 S * 11/1998 Marcel D34/28

D530,878 S * 10/2006 Ruppert D34/23

7,568,708 B2 * 8/2009 Vietri, Jr. B62B 5/0006
187/222

D608,522 S * 1/2010 Berger D34/34

D640,031 S * 6/2011 Kretschmer D34/34

D770,720 S * 11/2016 He D34/34

D788,399 S * 5/2017 Dahlstrom D34/23

* cited by examiner

Primary Examiner — Richard E Chilcot

(74) *Attorney, Agent, or Firm* — Studebaker & Brackett
PC

(57) **CLAIM**

The ornamental design for a lifting device, as shown and described.

DESCRIPTION

1. Hand pallet truck

Figure 1.1 is a side view of a lifting device, the opposite side being the mirror image thereof,

Figure 1.2 is a side view of the lifting device in an alternate position, the opposite side being the mirror image thereof,

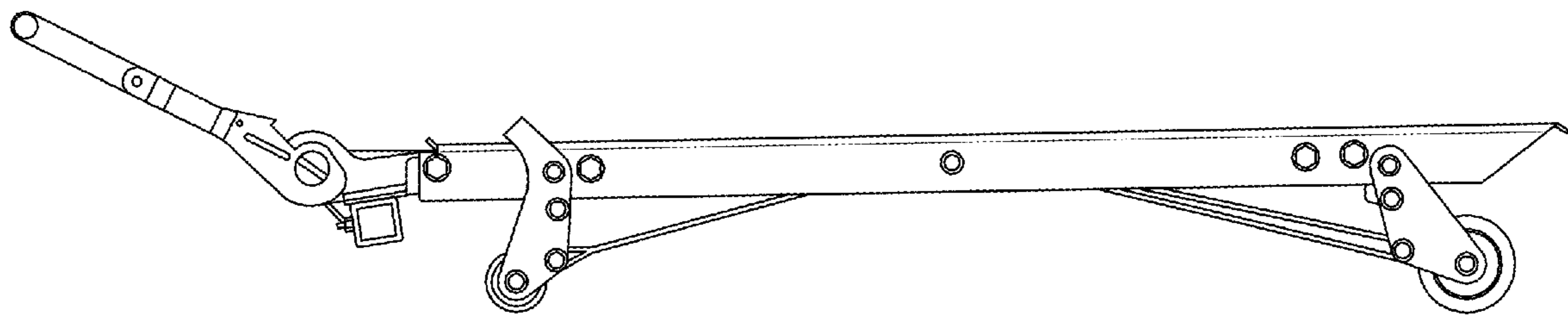
Figure 1.3 is a bottom perspective view of Figure 1.1,

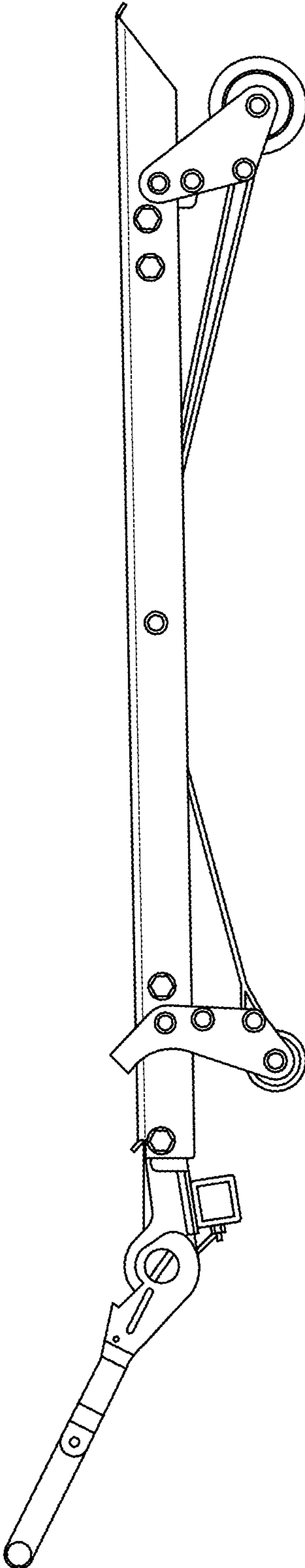
Figure 1.4 is a bottom perspective view of Figure 1.2,

Figure 1.5 is a top perspective view of Figure 1.1, and

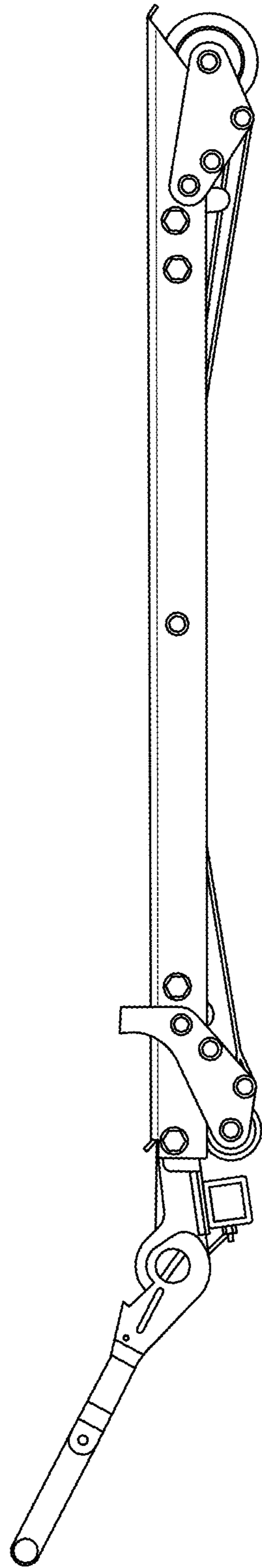
Figure 1.6 is a top perspective view of Figure 1.2.

1 Claim, 6 Drawing Sheets

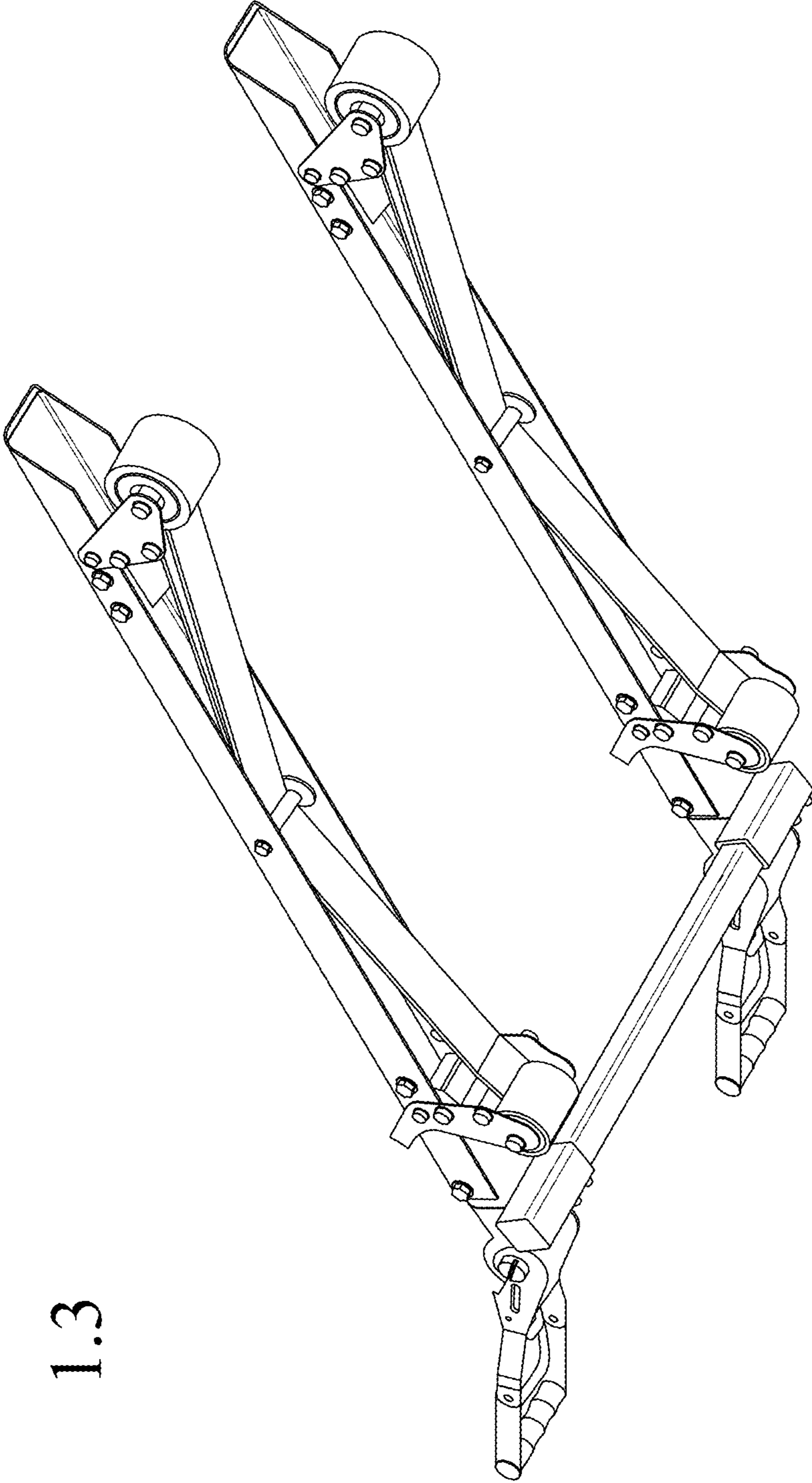




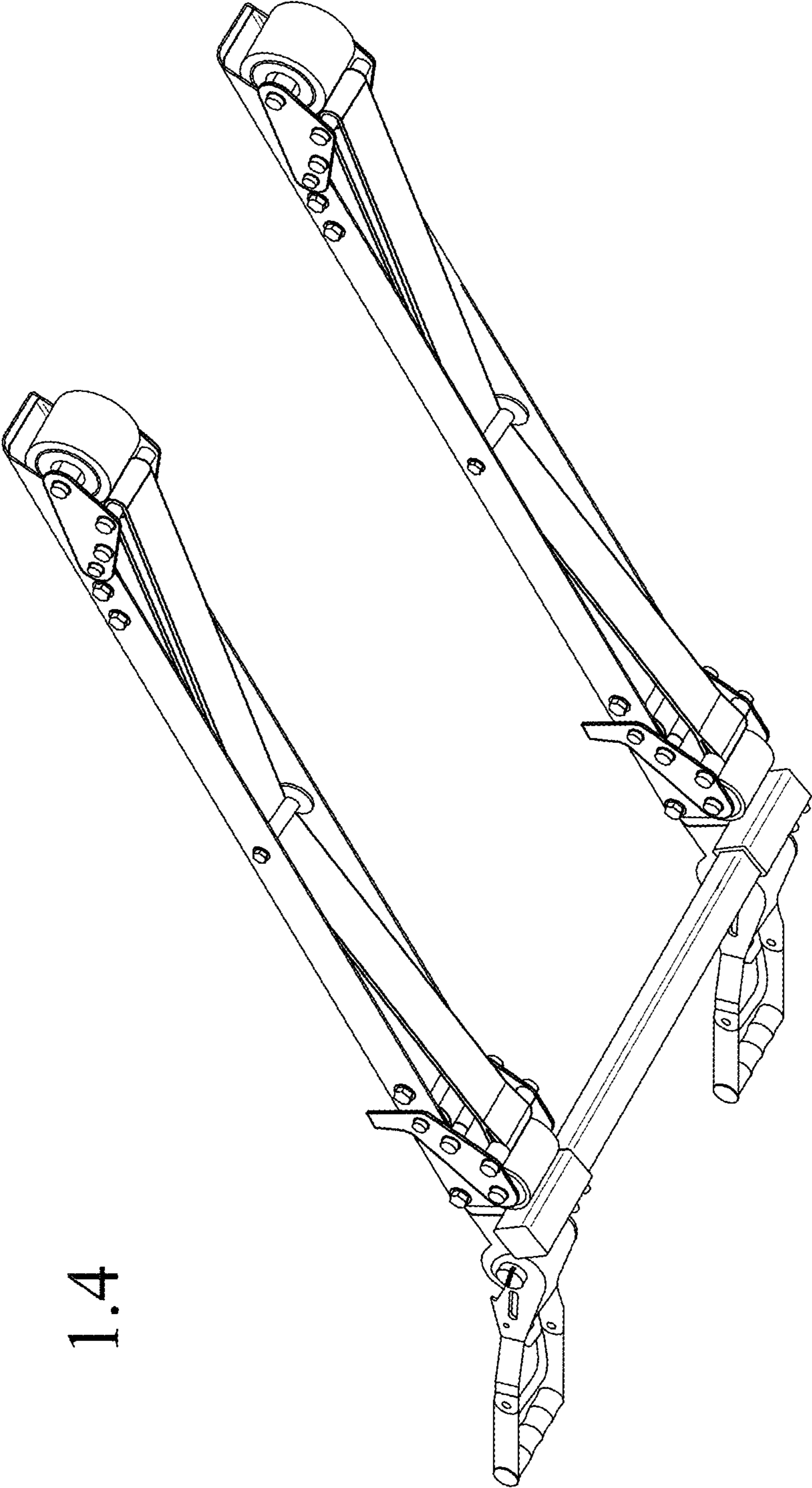
1.1



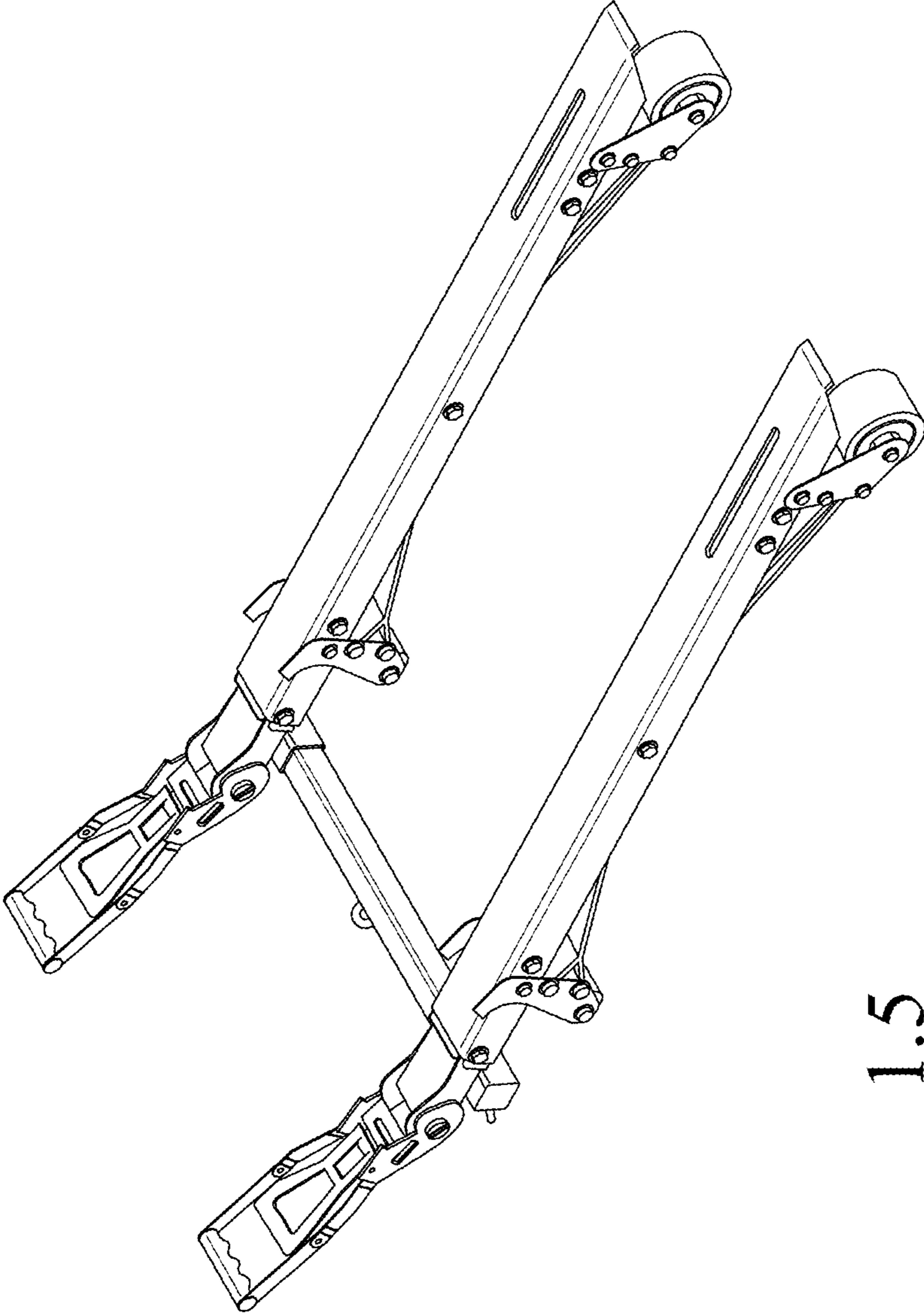
1.2



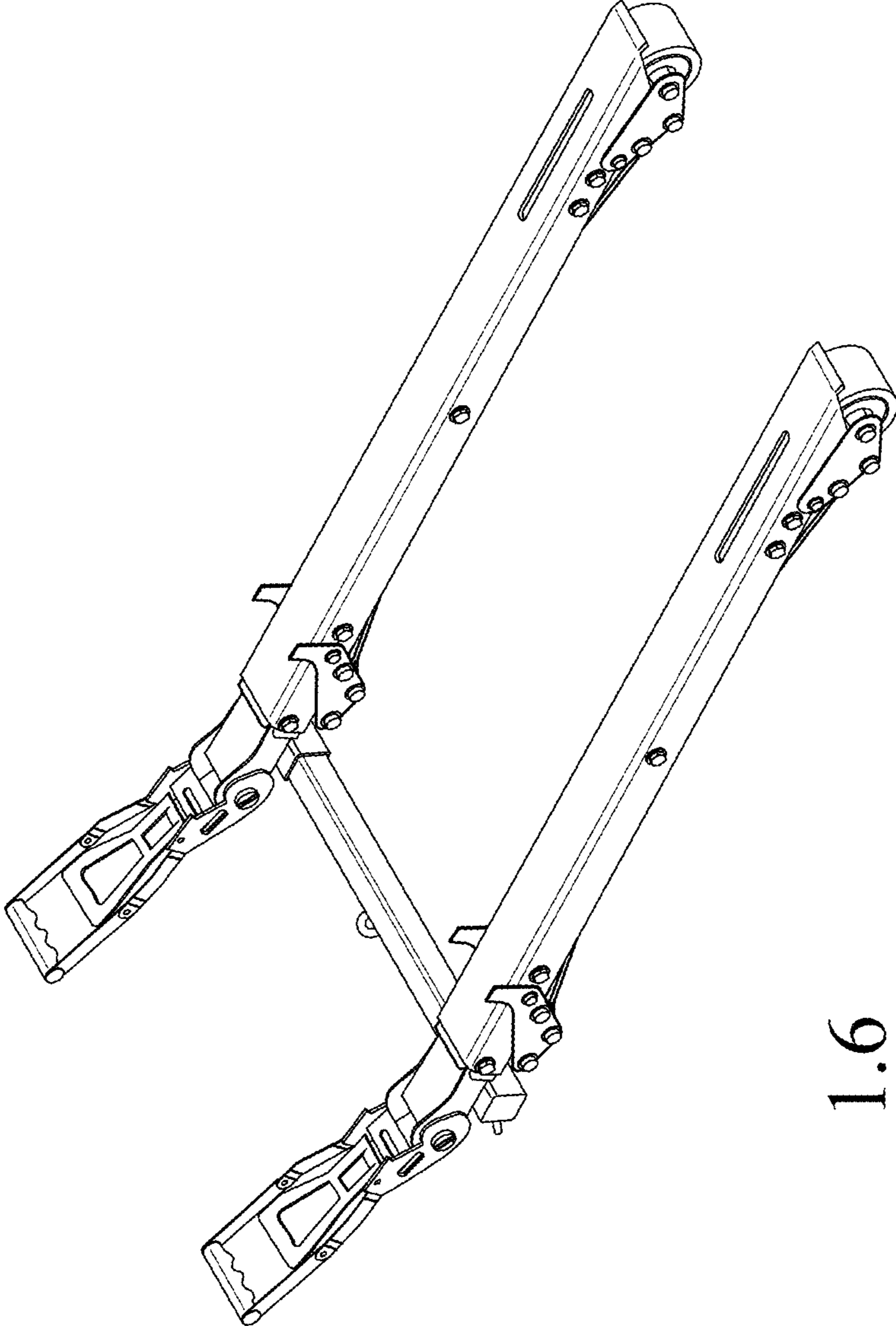
1.3



1.4



1.5



1.6