



US00D815384S

(12) **United States Design Patent**
Stravitz

(10) **Patent No.:** **US D815,384 S**
(45) **Date of Patent:** **** Apr. 10, 2018**

(54) **BAG-SECURING MEMBER FOR WASTE CONTAINER**

(71) Applicant: **David M Stravitz**, New York, NY (US)

(72) Inventor: **David M Stravitz**, New York, NY (US)

(**) Term: **15 Years**

(21) Appl. No.: **29/614,119**

(22) Filed: **Aug. 16, 2017**

Related U.S. Application Data

(62) Division of application No. 29/572,170, filed on Jul. 26, 2016, now Pat. No. Des. 797,393, which is a (Continued)

(51) **LOC (11) Cl.** **09-09**

(52) **U.S. Cl.**
USPC **D34/6; D34/10**

(58) **Field of Classification Search**
USPC D34/1, 5, 6, 10, 11; 248/95, 97, 99, 100
(Continued)

(56) **References Cited**

U.S. PATENT DOCUMENTS

1,719,185 A 7/1929 Lowy
2,434,238 A 1/1948 Wolfson
(Continued)

Primary Examiner — Cynthia Ramirez

(74) *Attorney, Agent, or Firm* — Brian Roffe

(57) **CLAIM**

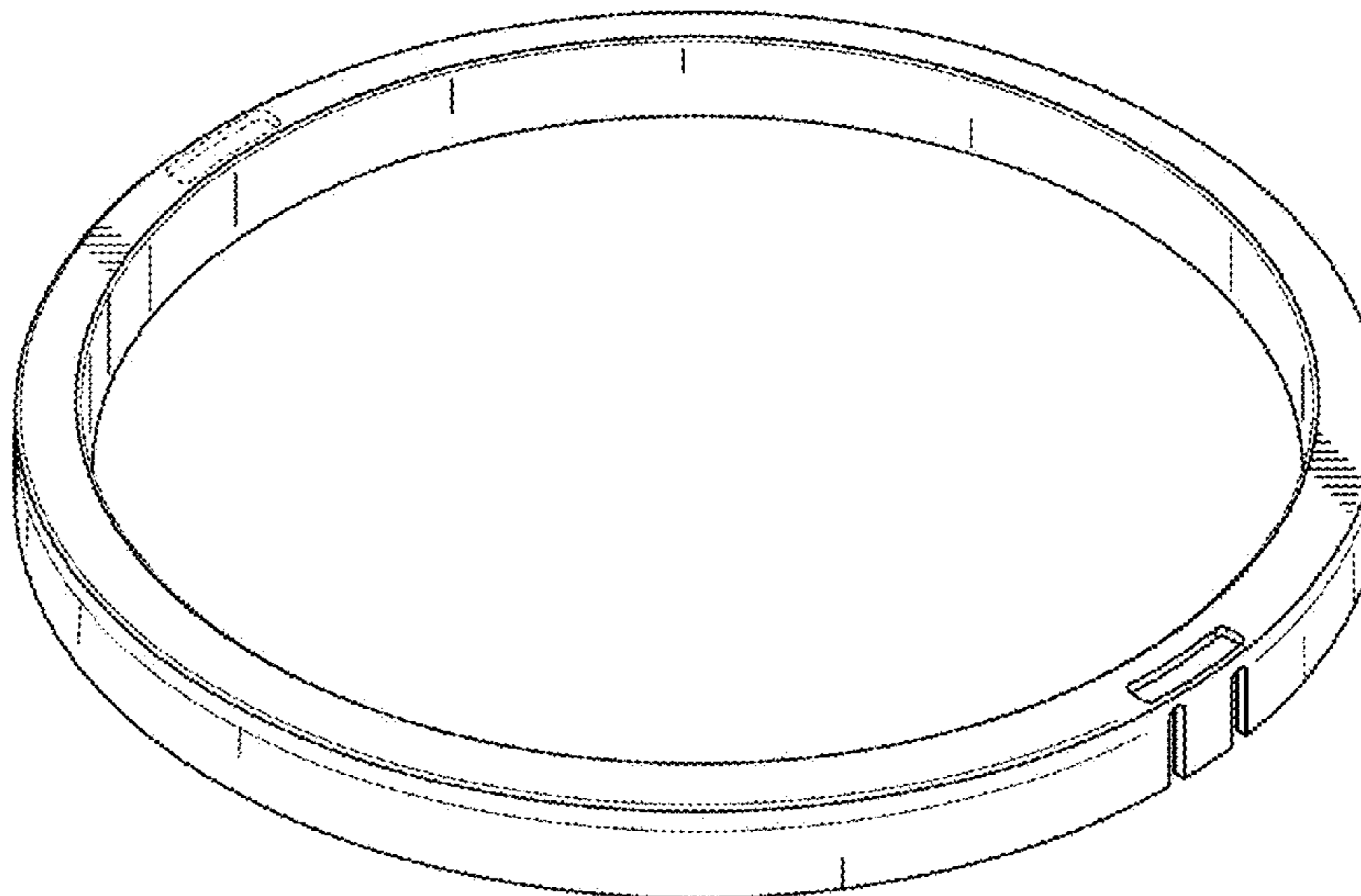
The ornamental design for a bag-securing member for waste container, as shown and described.

DESCRIPTION

FIG. 1 is a perspective view showing a first embodiment of a bag-securing member for waste container showing my new design;

FIG. 2 is a top plan view thereof;
FIG. 3 is a bottom plan view thereof;
FIG. 4 is a front elevational view thereof;
FIG. 5 is a rear elevational view thereof;
FIG. 6 is a right side elevational view thereof;
FIG. 7 is a left side elevational view thereof;
FIG. 8 is a perspective view showing a second embodiment of a bag-securing member for waste container;
FIG. 9 is a top plan view thereof;
FIG. 10 is a bottom plan view thereof;
FIG. 11 is a front elevational view thereof;
FIG. 12 is a rear elevational view thereof;
FIG. 13 is a right side elevational view thereof;
FIG. 14 is a left side elevational view thereof;
FIG. 15 is a perspective view showing a third embodiment of a bag-securing member for waste container;
FIG. 16 is a top plan view thereof;
FIG. 17 is a bottom plan view thereof;
FIG. 18 is a front elevational view thereof;
FIG. 19 is a rear elevational view thereof;
FIG. 20 is a right side elevational view thereof;
FIG. 21 is a left side elevational view thereof;
FIG. 22 is a perspective view showing a fourth embodiment of a bag-securing member for waste container;
FIG. 23 is a top plan view thereof;
FIG. 24 is a bottom plan view thereof;
FIG. 25 is a front elevational view thereof;
FIG. 26 is a rear elevational view thereof;
FIG. 27 is a right side elevational view thereof; and,
FIG. 28 is a left side elevational view thereof.
The broken lines shown in the figures are to show portions of the bag-securing member for waste container which form no part of the claimed design.

1 Claim, 16 Drawing Sheets



Related U.S. Application Data

division of application No. 29/556,087, filed on Feb. 26, 2016, now Pat. No. Des. 766,534.

- (58) **Field of Classification Search**
 CPC B65F 1/1415; B65B 67/1227; B65B 67/1238; B65B 67/12
 See application file for complete search history.

- (56) **References Cited**

U.S. PATENT DOCUMENTS

2,793,373 A 5/1957 Ewing
 3,134,548 A 5/1964 Medina et al.
 3,214,065 A 10/1965 Thornton
 3,893,649 A 7/1975 Cornell
 4,427,110 A 1/1984 Shaw, Jr.
 4,488,697 A 12/1984 Garvey
 D296,258 S 6/1988 Nelson
 4,867,401 A 9/1989 Graff
 4,902,482 A 2/1990 Faust
 5,174,462 A 12/1992 Hames
 D334,975 S 4/1993 Bunce et al.
 D344,624 S 3/1994 Schnel et al.
 5,400,989 A 3/1995 Gaskill
 5,520,303 A 5/1996 Bernstein et al.
 5,556,063 A * 9/1996 Boyd B65B 67/1238
 24/17 B
 5,662,238 A 9/1997 Sarno
 5,988,520 A 11/1999 Bitner
 D457,283 S * 5/2002 Wayt D34/1
 6,484,374 B2 11/2002 McAllister
 6,540,103 B2 4/2003 Silvers
 6,612,099 B2 9/2003 Stravitz
 D485,404 S * 1/2004 Del Prato D34/6
 6,679,462 B1 1/2004 Valdez
 6,804,930 B2 10/2004 Stravitz
 6,837,394 B2 1/2005 Nnamani
 6,851,251 B2 2/2005 Stravitz
 6,904,867 B2 6/2005 Zamjahn
 6,974,029 B2 12/2005 Morand et al.
 7,086,569 B2 8/2006 Stravitz
 7,114,314 B2 10/2006 Stravitz
 7,146,785 B2 12/2006 Stravitz
 D537,598 S * 2/2007 Moore D34/10
 7,225,943 B2 6/2007 Yang et al.
 D559,494 S 1/2008 Yang et al.
 7,316,100 B2 1/2008 Stravitz et al.
 D567,466 S 4/2008 Lee
 7,406,814 B2 8/2008 Morand
 7,434,377 B2 10/2008 Stravitz et al.
 D586,066 S 2/2009 Lin
 7,503,152 B2 3/2009 Stravitz et al.
 7,503,159 B2 3/2009 Stravitz et al.
 7,516,865 B1 4/2009 Pierre
 7,543,716 B2 6/2009 Lin
 D596,364 S 7/2009 Morand
 7,617,659 B2 11/2009 Stravitz et al.
 7,696,711 B2 4/2010 Pollack et al.
 7,708,188 B2 5/2010 Stravitz et al.
 7,712,285 B2 5/2010 Stravitz et al.
 D619,905 S 7/2010 Dunn et al.
 7,878,359 B1 2/2011 Ko
 7,931,150 B2 4/2011 Morand
 D639,002 S 5/2011 Dunn et al.

D639,003 S 5/2011 Dunn et al.
 D639,004 S 5/2011 Dunn et al.
 7,963,414 B1 6/2011 Stravitz
 D645,221 S 9/2011 Brown et al.
 D652,189 S 1/2012 Morand
 D653,009 S 1/2012 Larrivee et al.
 D654,646 S 2/2012 Williams
 D654,738 S 2/2012 Morand
 8,127,519 B2 3/2012 Stravitz
 D657,107 S * 4/2012 Fitzpatrick D34/6
 8,215,089 B2 7/2012 Stravitz
 8,235,237 B1 8/2012 Stravitz
 8,266,871 B1 9/2012 Stravitz
 8,272,686 B1 9/2012 Arnold et al.
 8,393,489 B1 3/2013 Stravitz
 D682,725 S 5/2013 Reeder et al.
 D683,099 S 5/2013 Wright et al.
 D683,922 S 6/2013 Huang
 8,567,157 B2 10/2013 Dunn et al.
 8,635,838 B2 1/2014 Dunn et al.
 8,647,587 B2 2/2014 Dunn et al.
 8,657,139 B1 2/2014 Bodine
 8,690,017 B2 4/2014 Dunn et al.
 8,739,501 B2 6/2014 Dunn et al.
 8,752,724 B2 6/2014 Babikian et al.
 8,833,592 B2 9/2014 Dunn et al.
 8,834,023 B1 * 9/2014 Laera B65B 67/1238
 383/33
 8,844,751 B2 9/2014 Sakaguchi et al.
 8,899,420 B2 12/2014 Morand
 8,910,821 B1 12/2014 Stravitz
 D722,735 S 2/2015 Del Rosario Roy et al.
 D723,239 S 2/2015 Raschke et al.
 8,959,880 B2 2/2015 Morand
 8,973,774 B1 3/2015 Stravitz
 D728,184 S * 4/2015 Hoggatt D34/6
 9,085,404 B2 7/2015 Dunn et al.
 D737,013 S 8/2015 Baumer
 D739,632 S 9/2015 Senser
 D747,060 S 1/2016 Valderrama et al.
 D763,520 S 8/2016 Runyan
 D766,534 S * 9/2016 Stravitz D34/10
 D797,393 S * 9/2017 Stravitz D34/10
 2002/0051739 A1 5/2002 Wang
 2003/0085227 A1 5/2003 Azzarello
 2005/0056649 A1 3/2005 Simonson et al.
 2005/0082196 A1 4/2005 Lin
 2008/0134644 A1 6/2008 Knuth et al.
 2008/0264948 A1 10/2008 Kovacevich et al.
 2009/0046955 A1 * 2/2009 Schember B65D 33/007
 383/33
 2009/0071959 A1 3/2009 Cheung
 2010/0005762 A1 1/2010 Stravitz
 2010/0140423 A1 * 6/2010 Davies B65F 1/1415
 248/101
 2011/0099945 A1 5/2011 Dunn et al.
 2011/0099958 A1 5/2011 Dunn et al.
 2012/0211494 A1 8/2012 Morand
 2013/0048641 A1 2/2013 Romani
 2013/0168396 A1 7/2013 Quan
 2013/0181000 A1 7/2013 Miksovsky et al.
 2013/0252534 A1 9/2013 Smith
 2014/0027452 A1 1/2014 Pan
 2014/0042168 A1 2/2014 Dunn et al.
 2015/0368041 A1 12/2015 Coffin

* cited by examiner

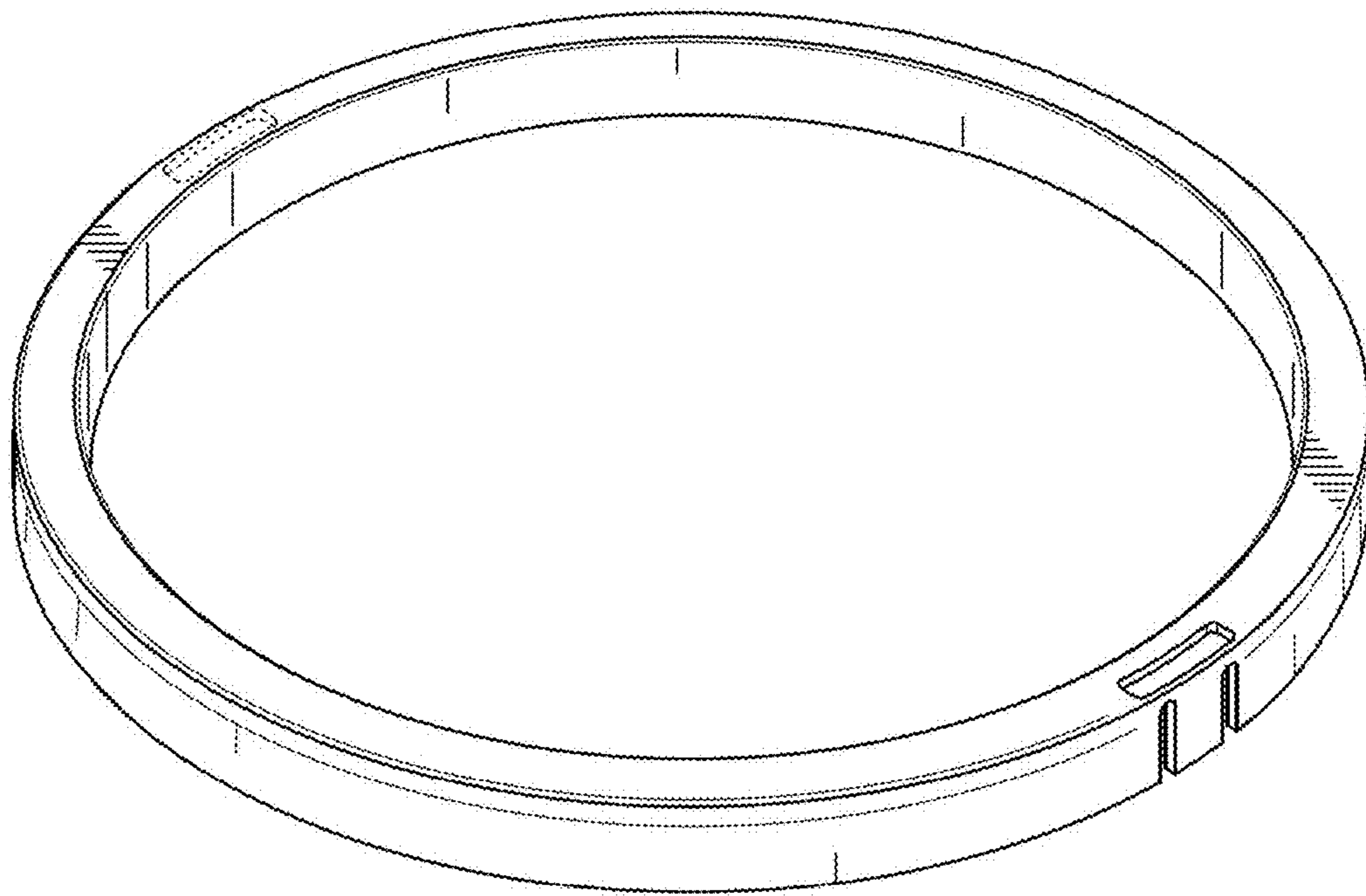


FIG. 1

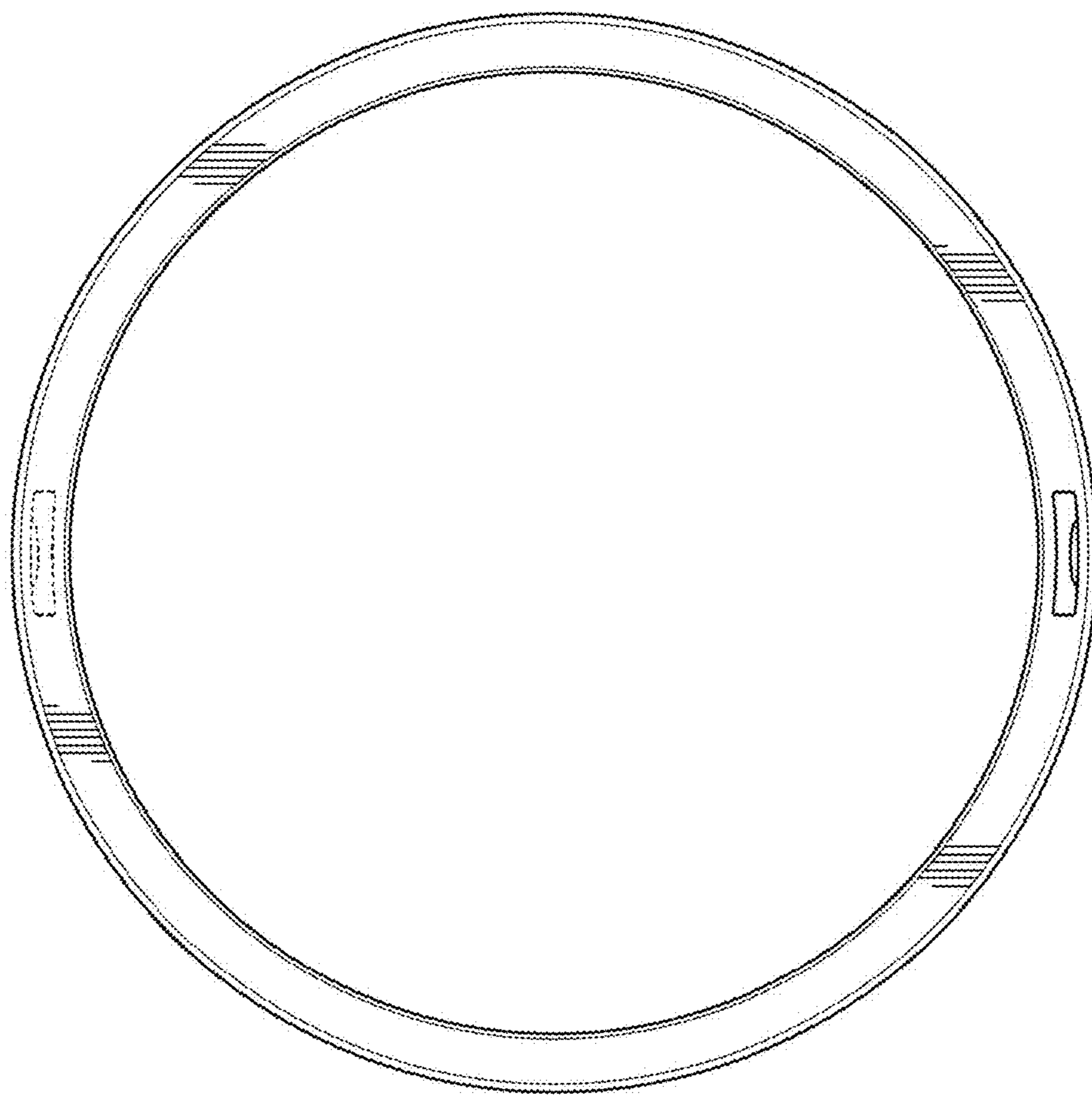


FIG. 2

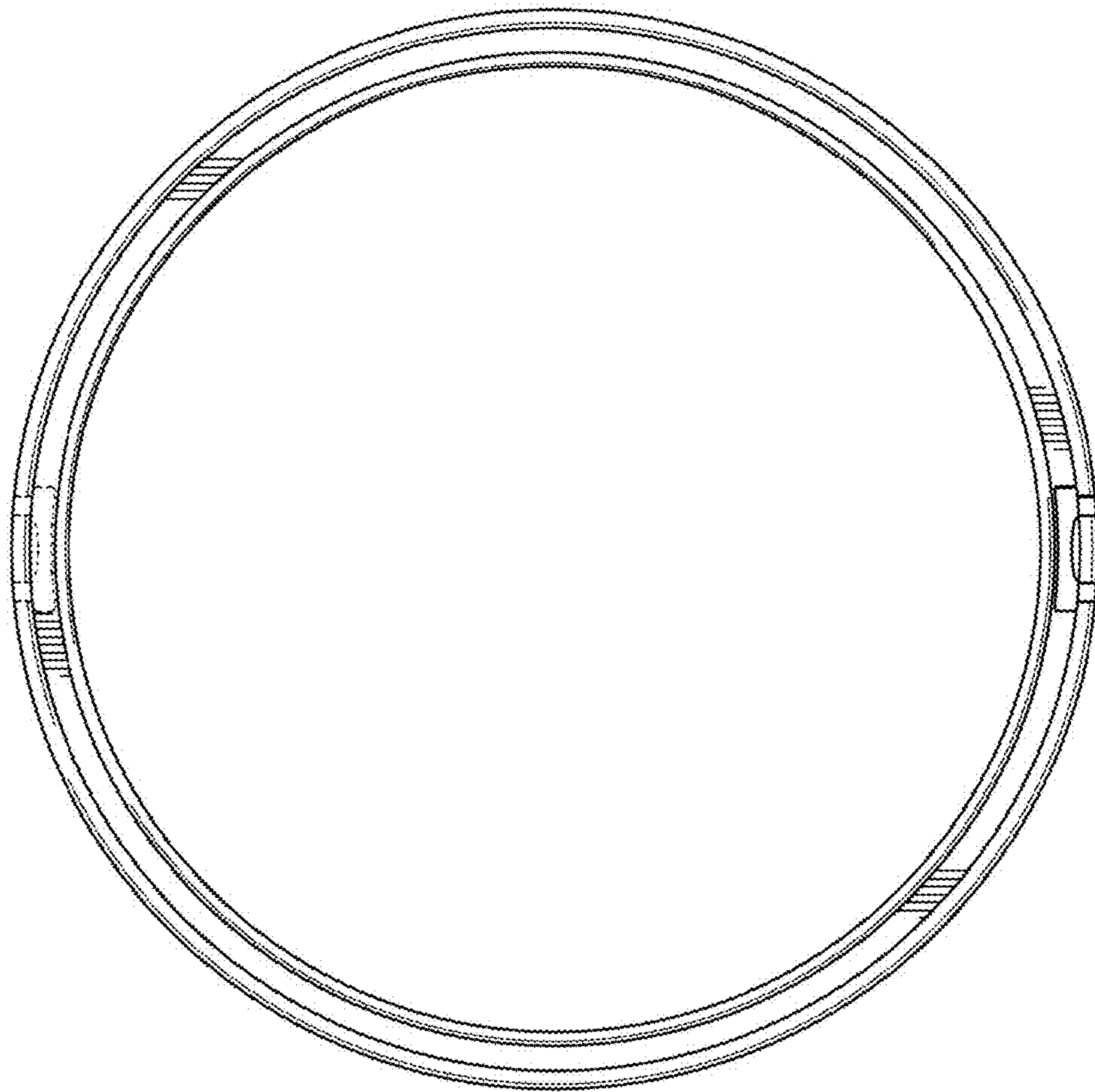


FIG. 3

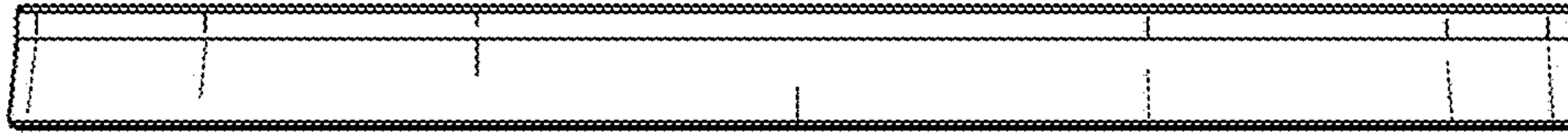


FIG. 4

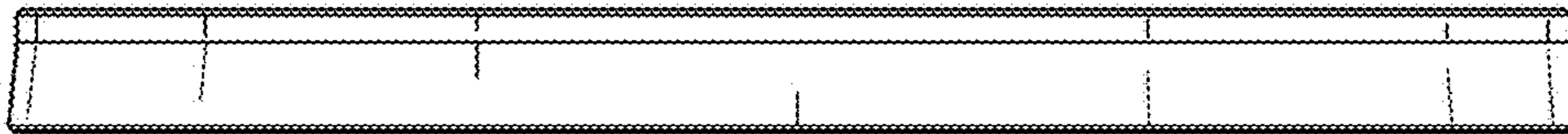


FIG. 5



FIG. 6

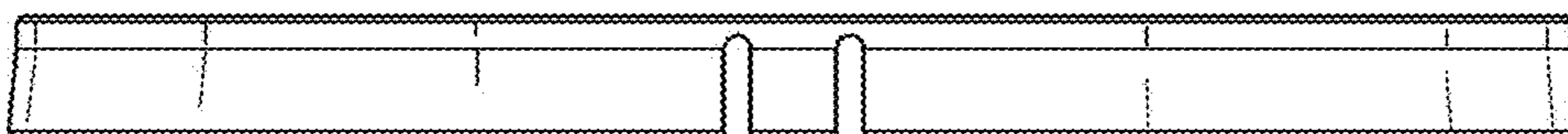


FIG. 7

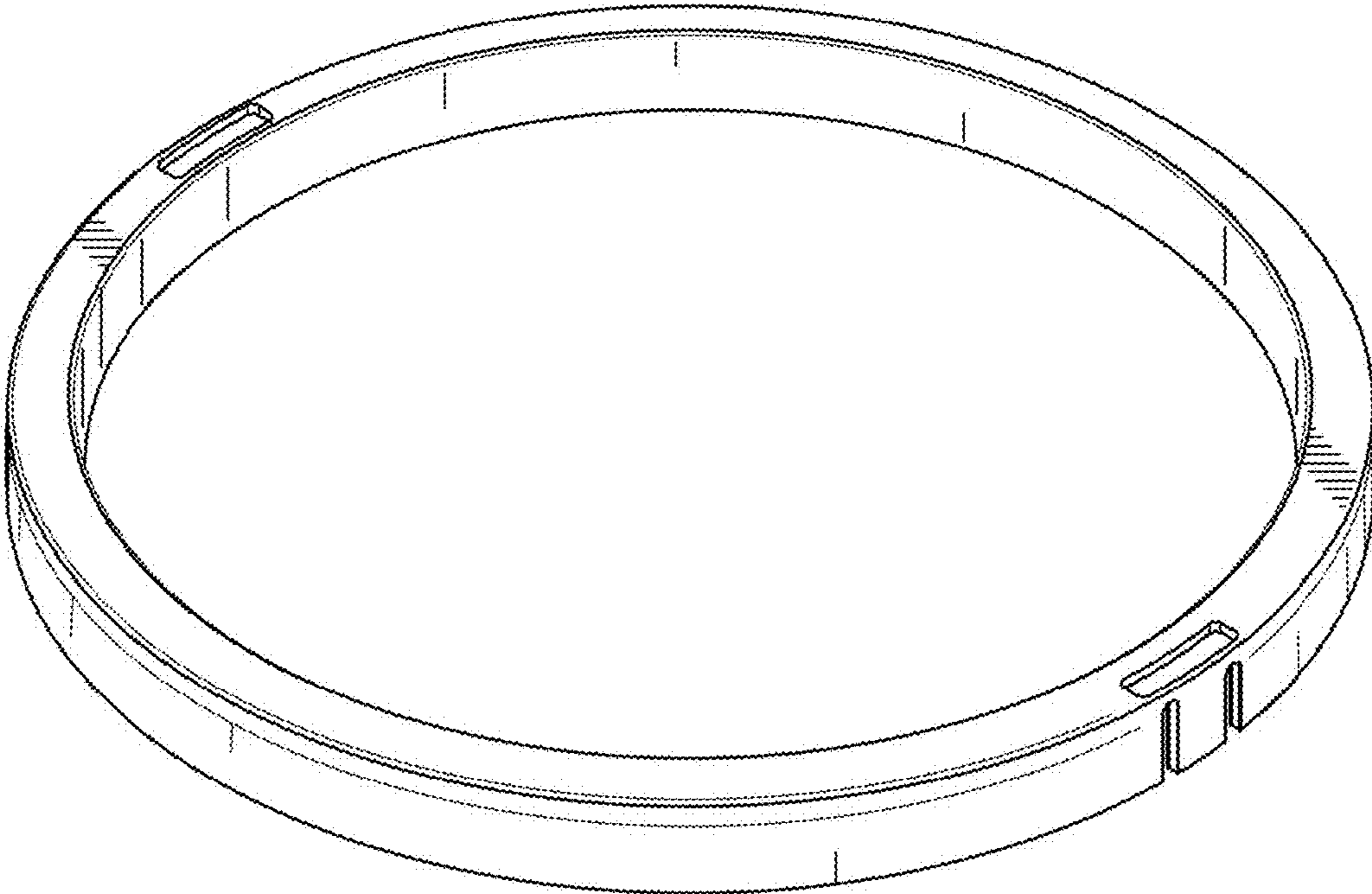


FIG. 8

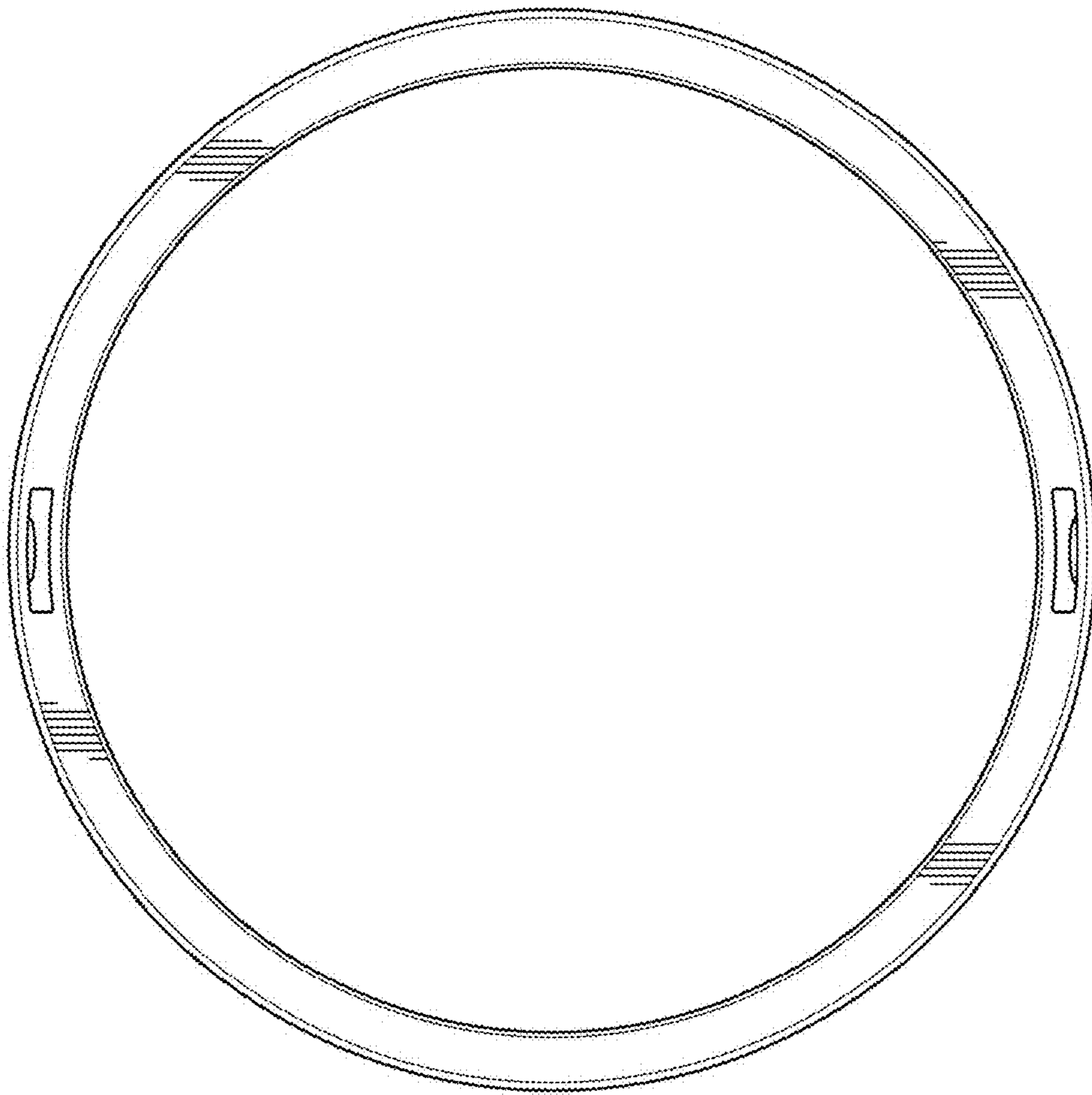


FIG. 9

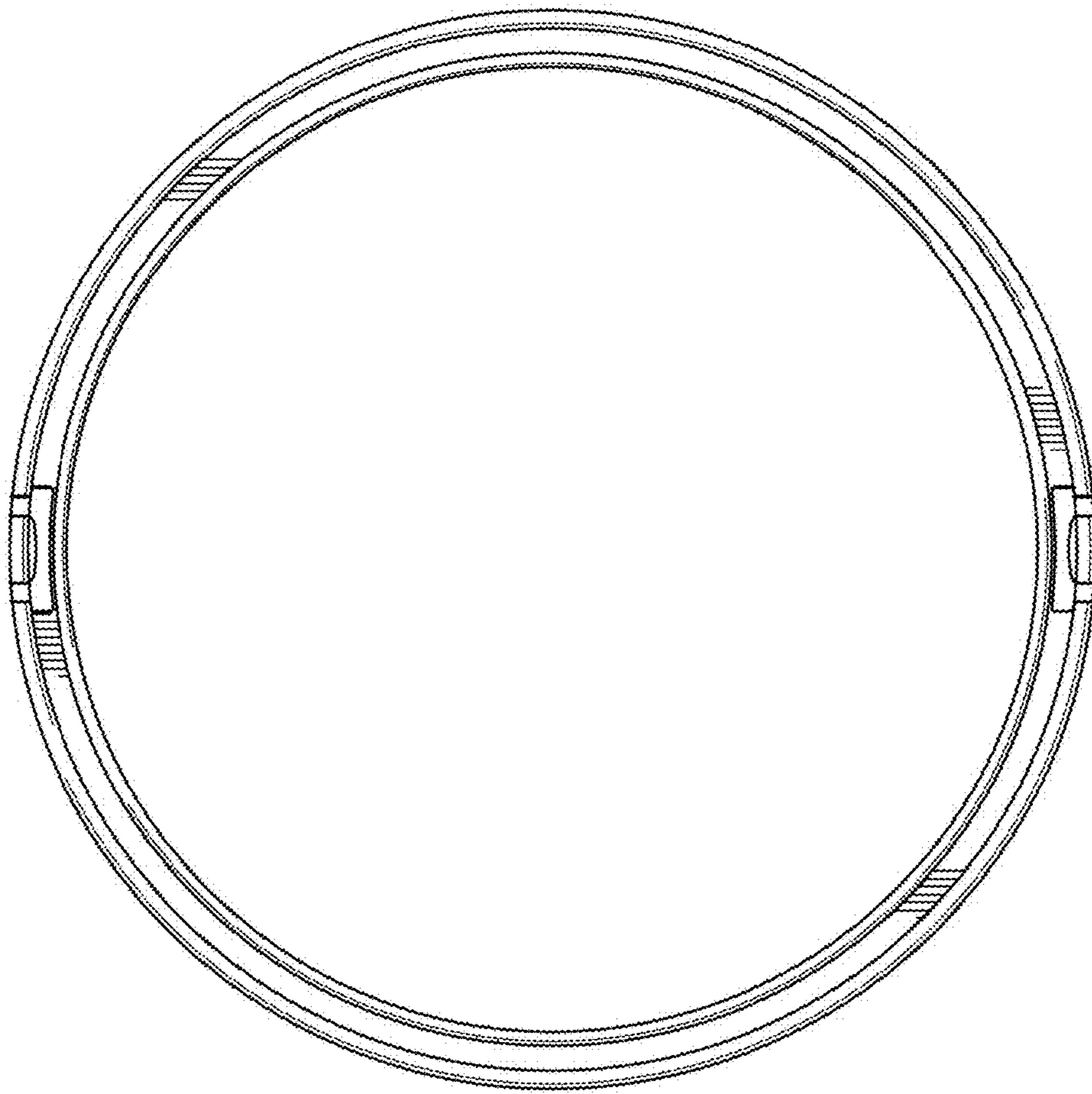


FIG. 10



FIG. 11



FIG. 12



FIG. 13



FIG. 14

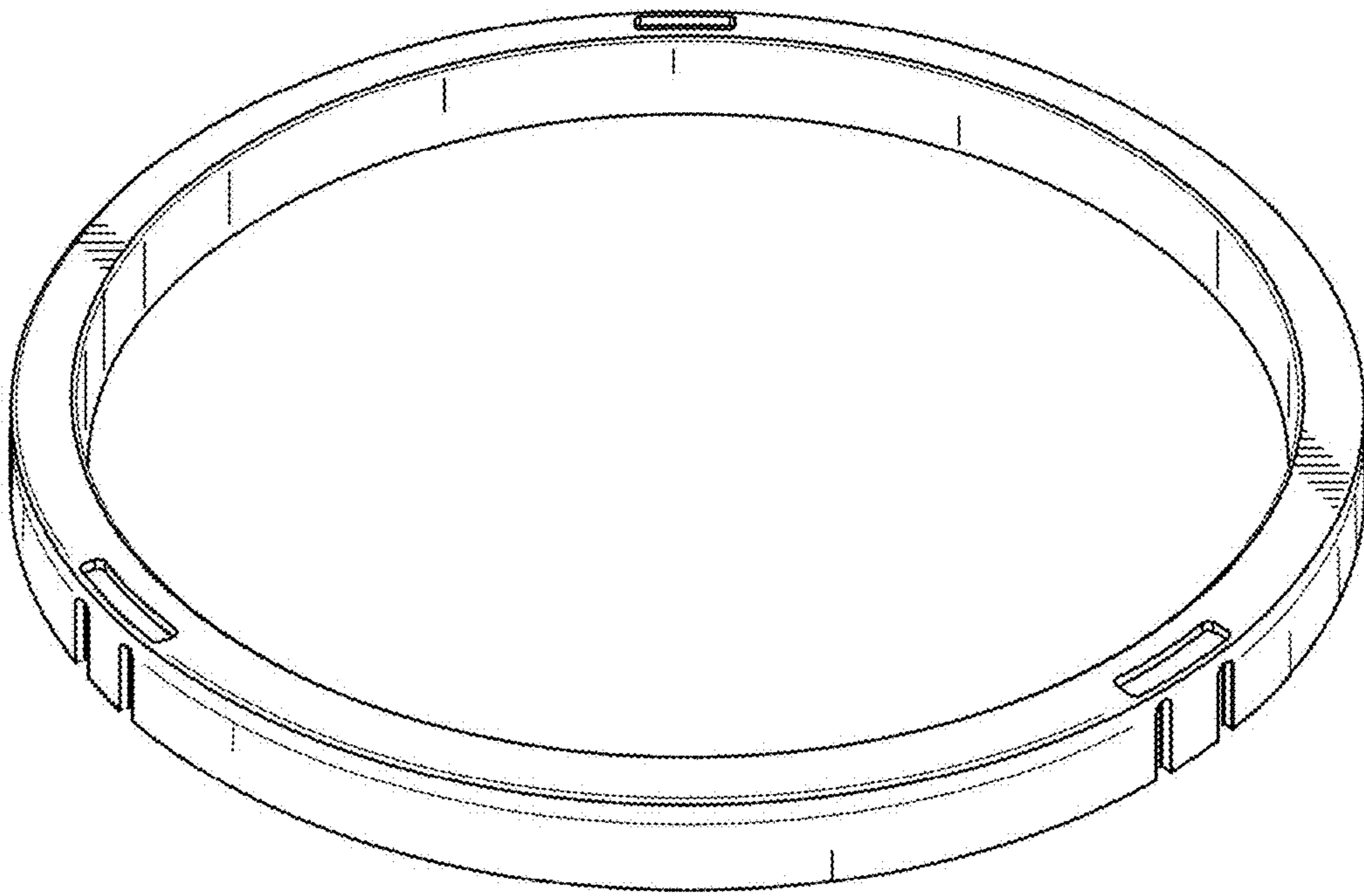


FIG. 15

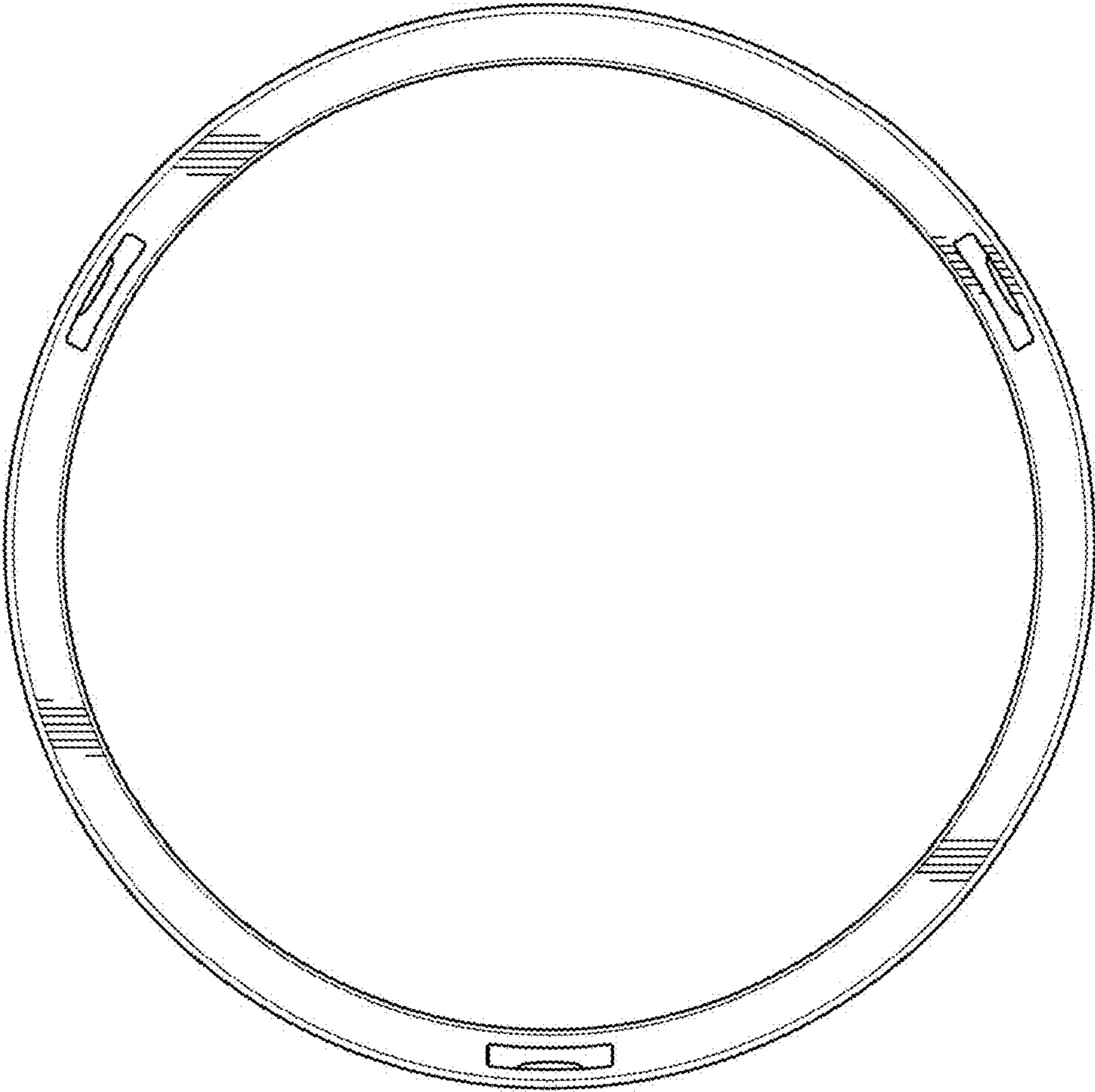


FIG. 16

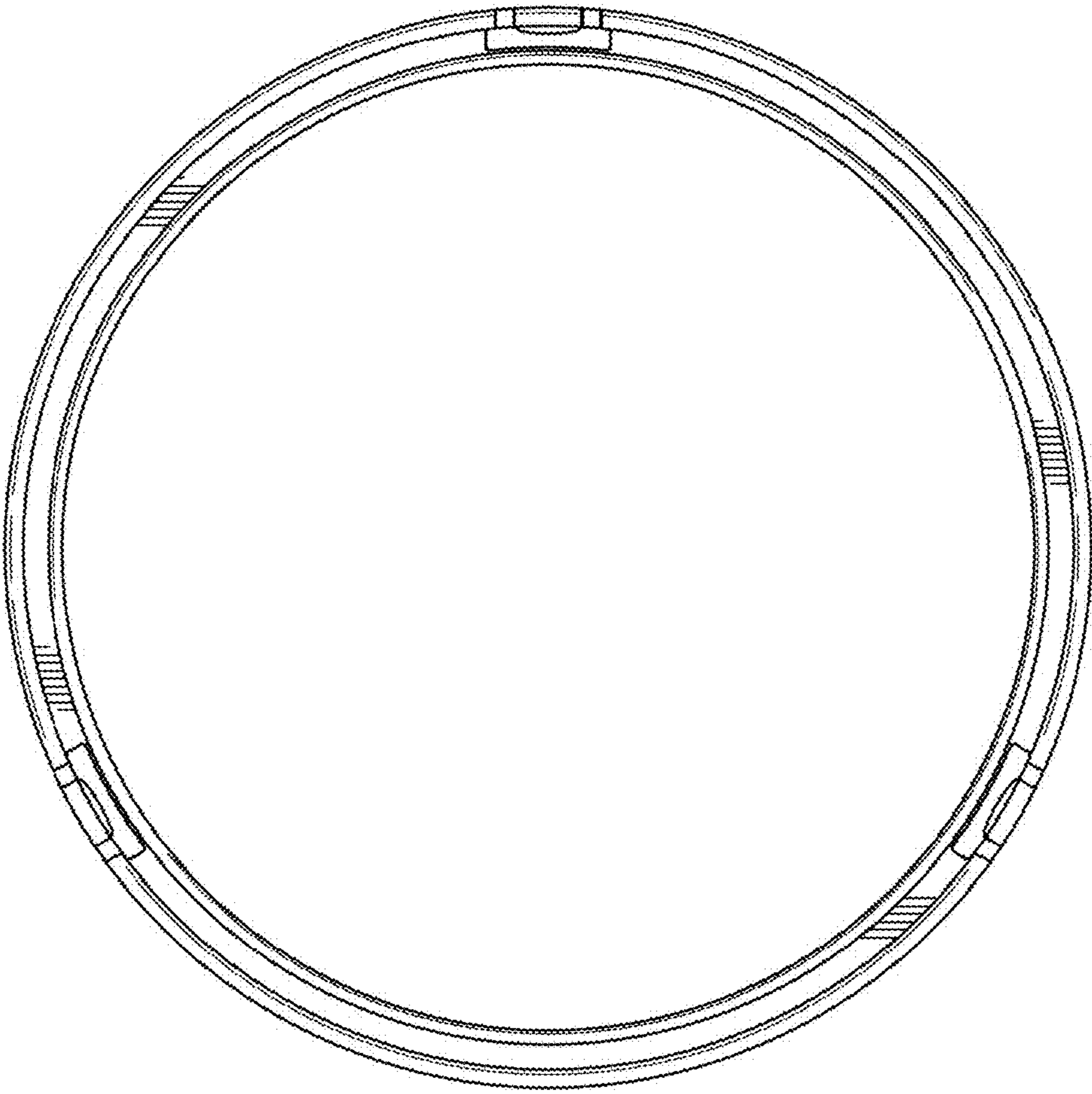


FIG. 17

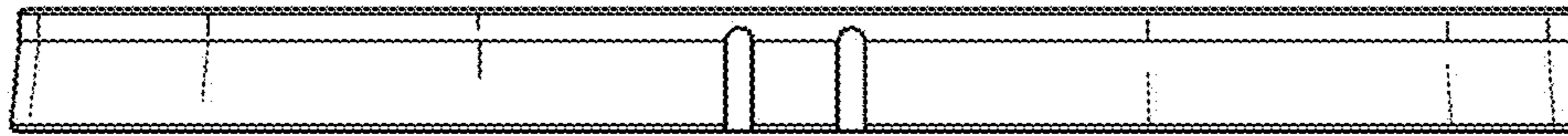


FIG. 18



FIG. 19

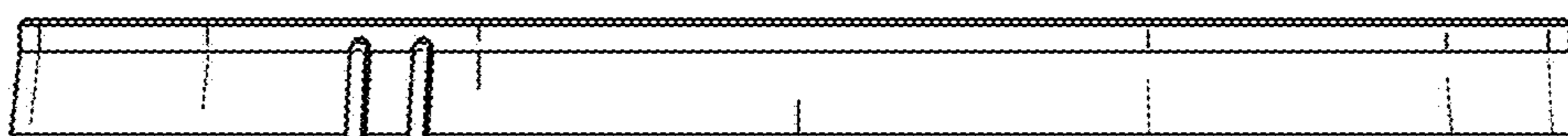


FIG. 20

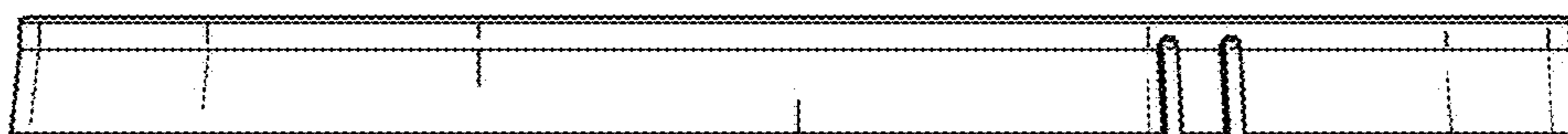


FIG. 21

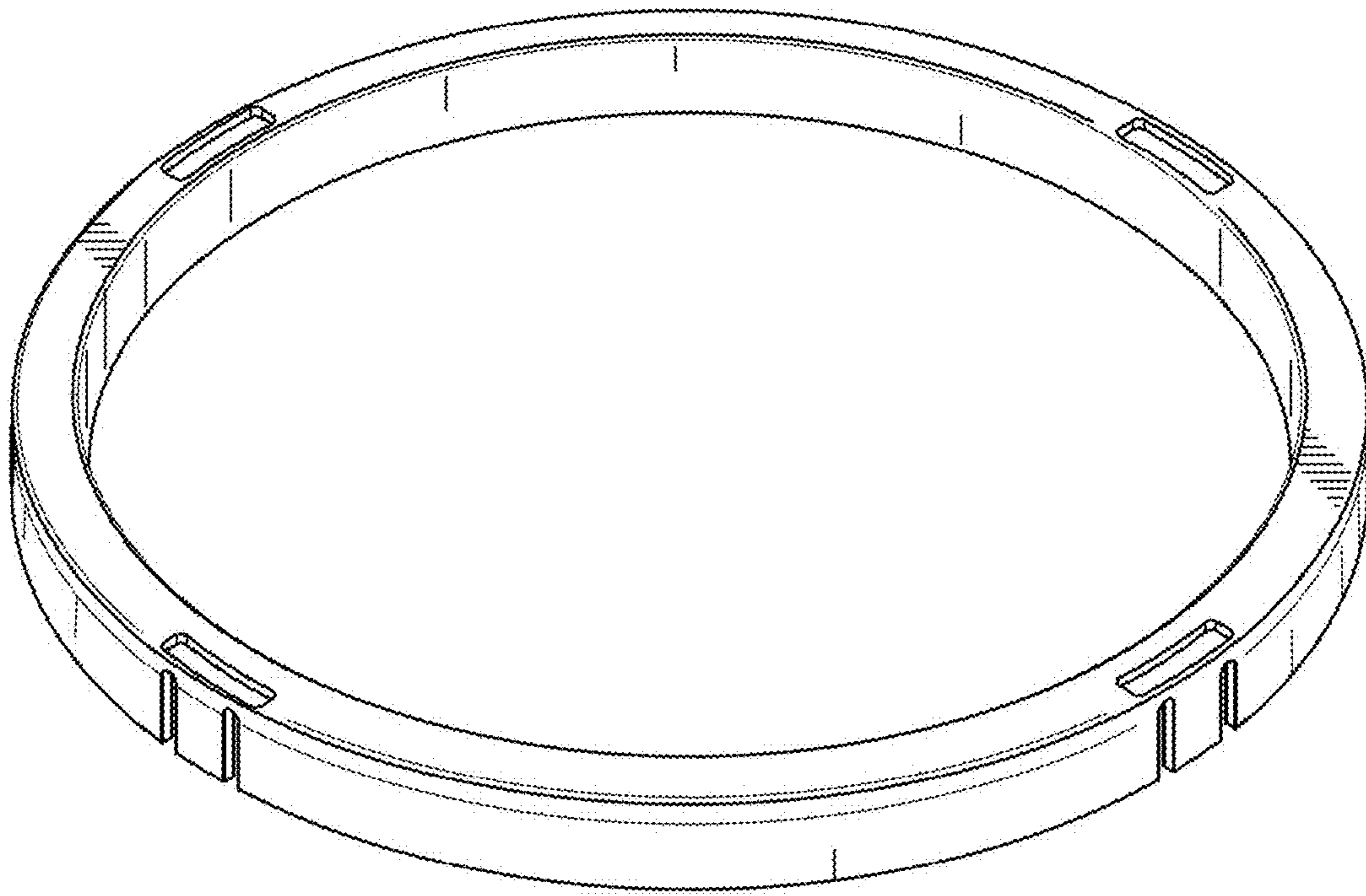


FIG. 22

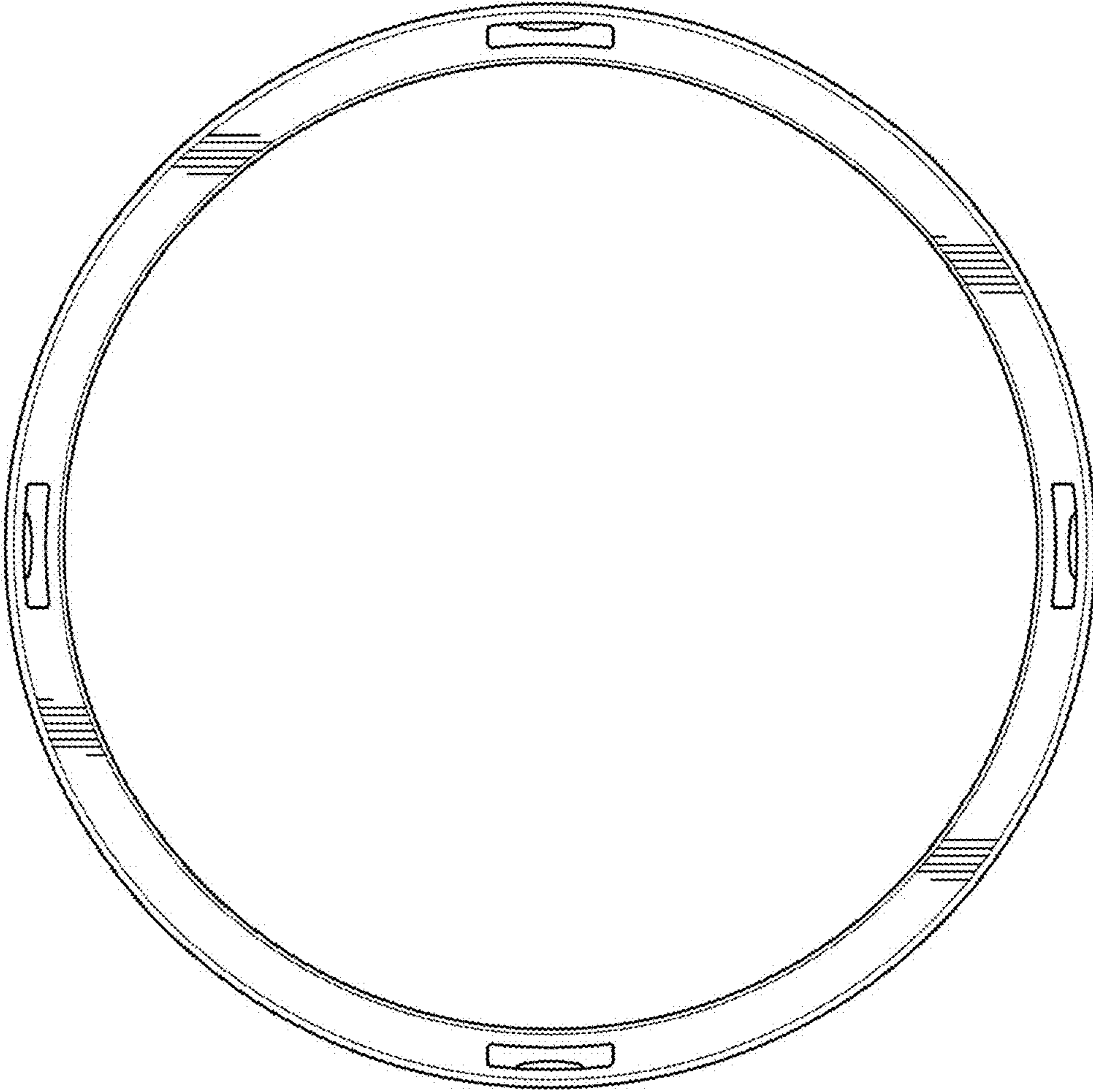


FIG. 23

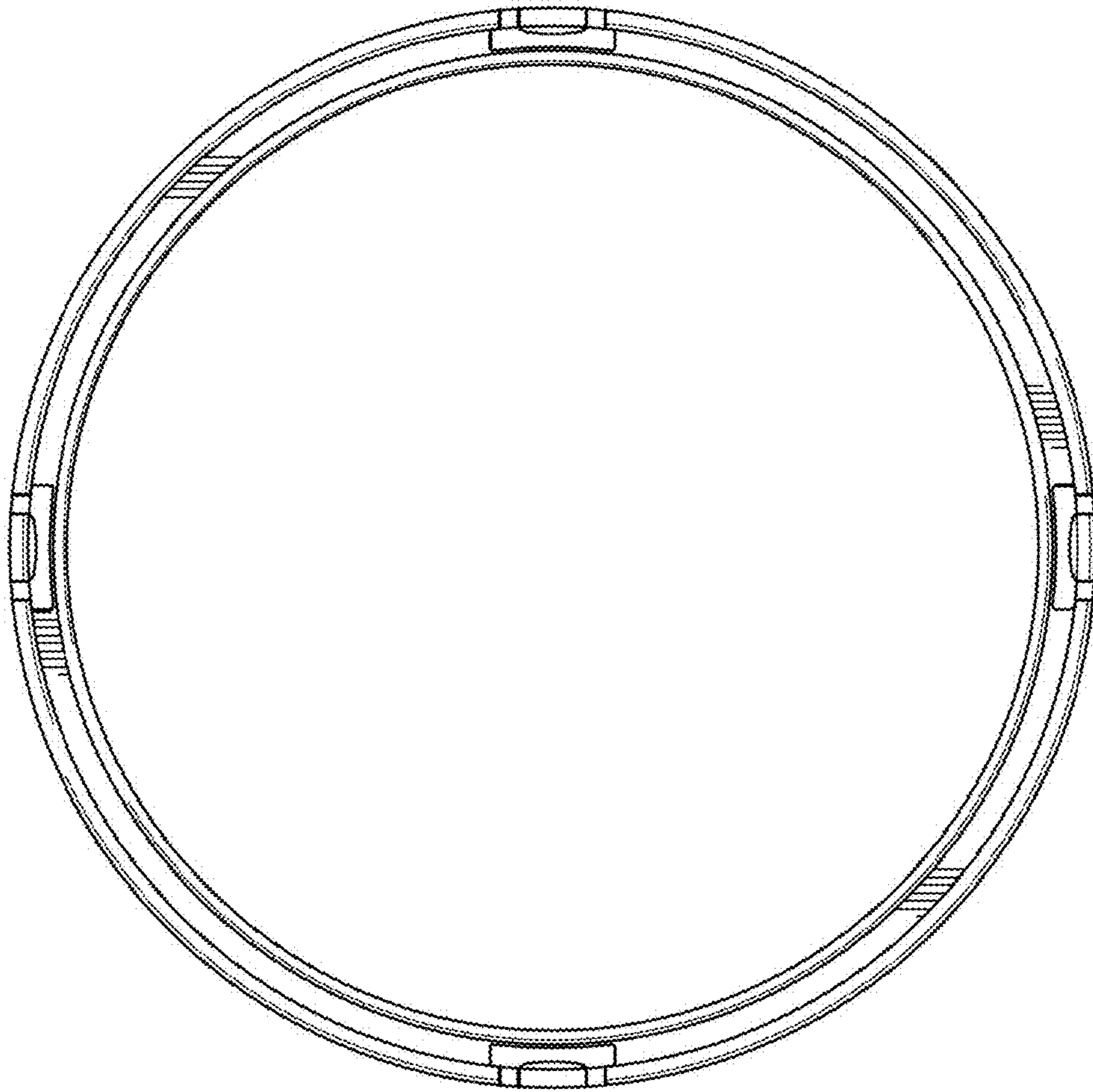


FIG. 24

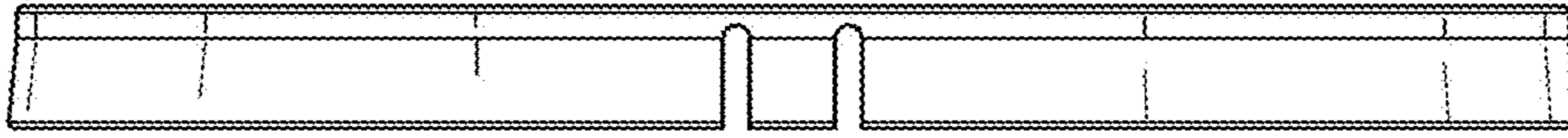


FIG. 25



FIG. 26

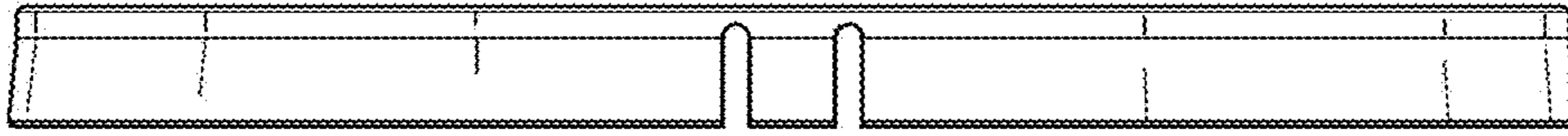


FIG. 27

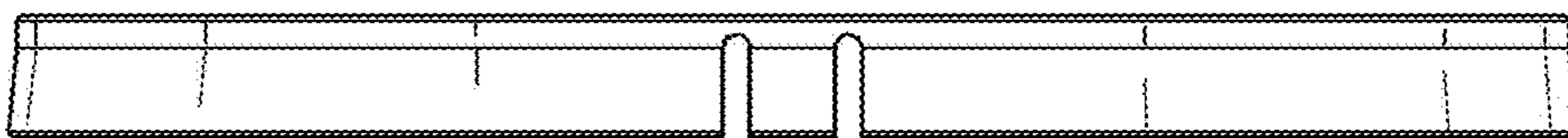


FIG. 28