



US00D815383S

(12) **United States Design Patent** (10) **Patent No.:** **US D815,383 S**
Moseley (45) **Date of Patent:** **** Apr. 10, 2018**

- (54) **RECYCLING BIN**
- (71) Applicant: **Vale Mill (Rochdale) Limited,**
Rochdale (GB)
- (72) Inventor: **Luke Moseley,** Rochdale (GB)
- (73) Assignee: **Vale Mills (Rochdale) Limited,**
Rochdale (GB)
- (**) Term: **15 Years**
- (21) Appl. No.: **29/562,707**
- (22) Filed: **Apr. 28, 2016**
- (51) **LOC (11) Cl.** **09-09**
- (52) **U.S. Cl.**
USPC **D34/1; D34/7**
- (58) **Field of Classification Search**
USPC D34/1-11; 220/908, 908.1, 909, 911
CPC .. B65F 1/004; B65F 1/06; B65F 1/067; B65F
1/16; B65F 1/1468; B65F 1/0073; B65F
1/085; B65F 1/141; B65F 1/14; B65F
1/1405; B65F 1/1415; B65F 1/1436;
B65F 1/163
See application file for complete search history.

(56) **References Cited**

U.S. PATENT DOCUMENTS

| | | | | | | |
|--------------|----|---|---------|-----------|-------|--------------------------|
| D524,007 | S | * | 6/2006 | Palmer | | D34/19 |
| D603,119 | S | * | 10/2009 | Yang | | D34/7 |
| D657,109 | S | * | 4/2012 | Liao | | D34/9 |
| D668,415 | S | * | 10/2012 | Decker | | D34/9 |
| D679,468 | S | * | 4/2013 | Nicholson | | D34/19 |
| D779,760 | S | * | 2/2017 | Bersch | | D34/1 |
| 2002/0027140 | A1 | * | 3/2002 | George | | B65F 1/004 220/495.06 |
| 2012/0118784 | A1 | | 5/2012 | Decker | | |

FOREIGN PATENT DOCUMENTS

| | | | |
|----|-----------|---|--------|
| CN | 201258170 | Y | 6/2008 |
| CN | 202030241 | U | 9/2011 |

| | | | |
|----|--------------|----|---------|
| DE | 4424002 | A1 | 2/1996 |
| DE | 202010012304 | U1 | 11/2010 |
| WO | WO93/21088 | A | 10/1993 |

OTHER PUBLICATIONS

GB Search Rpt for GB 1604978.5 Date of Search: Sep. 13, 2016.

* cited by examiner

Primary Examiner — Cynthia Ramirez

(74) *Attorney, Agent, or Firm* — Clifford H. Kraft

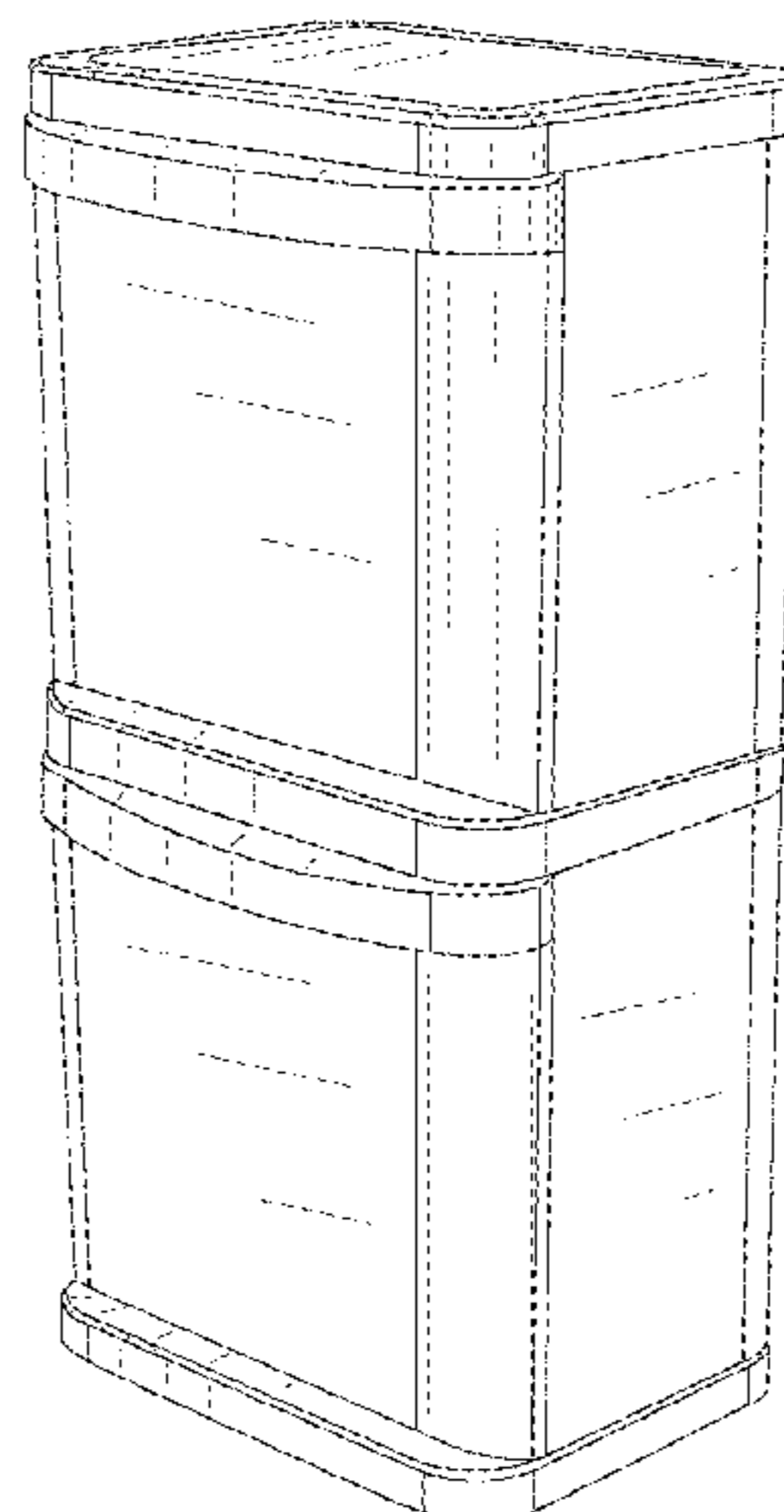
(57) **CLAIM**

The ornamental design for a recycling bin, as shown and described.

DESCRIPTION

FIG. 1 is a perspective view of a first embodiment of my recycling bin.
 FIG. 2 is a front view thereof.
 FIG. 3 is a back view thereof.
 FIG. 4 is a side view thereof, the left and right side views are mirror images.
 FIG. 5 is a top view thereof.
 FIG. 6 is a bottom view thereof.
 FIG. 7 is a perspective view of a second embodiment of my recycling bin, the top and bottom views of the second embodiment are identical to the top and bottom views of the first embodiment.
 FIG. 8 is a front view thereof.
 FIG. 9 is a back view thereof.
 FIG. 10 is a side view thereof, the left and right side views are mirror images.
 FIG. 11 is a perspective view of a third embodiment of my recycling bin, the top and bottom views of the third embodiment are identical to the top and bottom views of the first embodiment.
 FIG. 12 is a front view thereof.
 FIG. 13 is a back view thereof; and,
 FIG. 14 is a side view thereof, the left and right side views are mirror images.

1 Claim, 7 Drawing Sheets



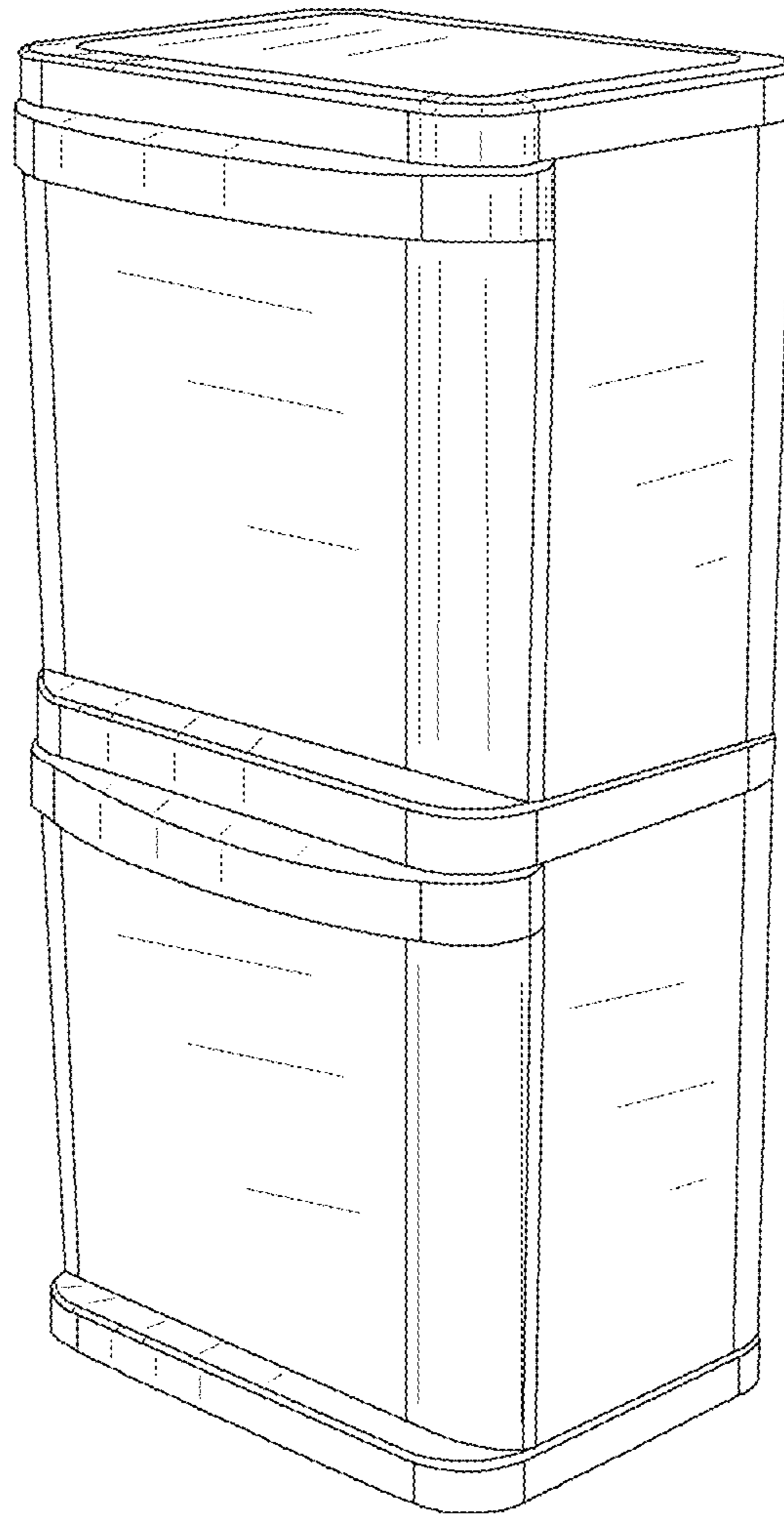


FIG. 1

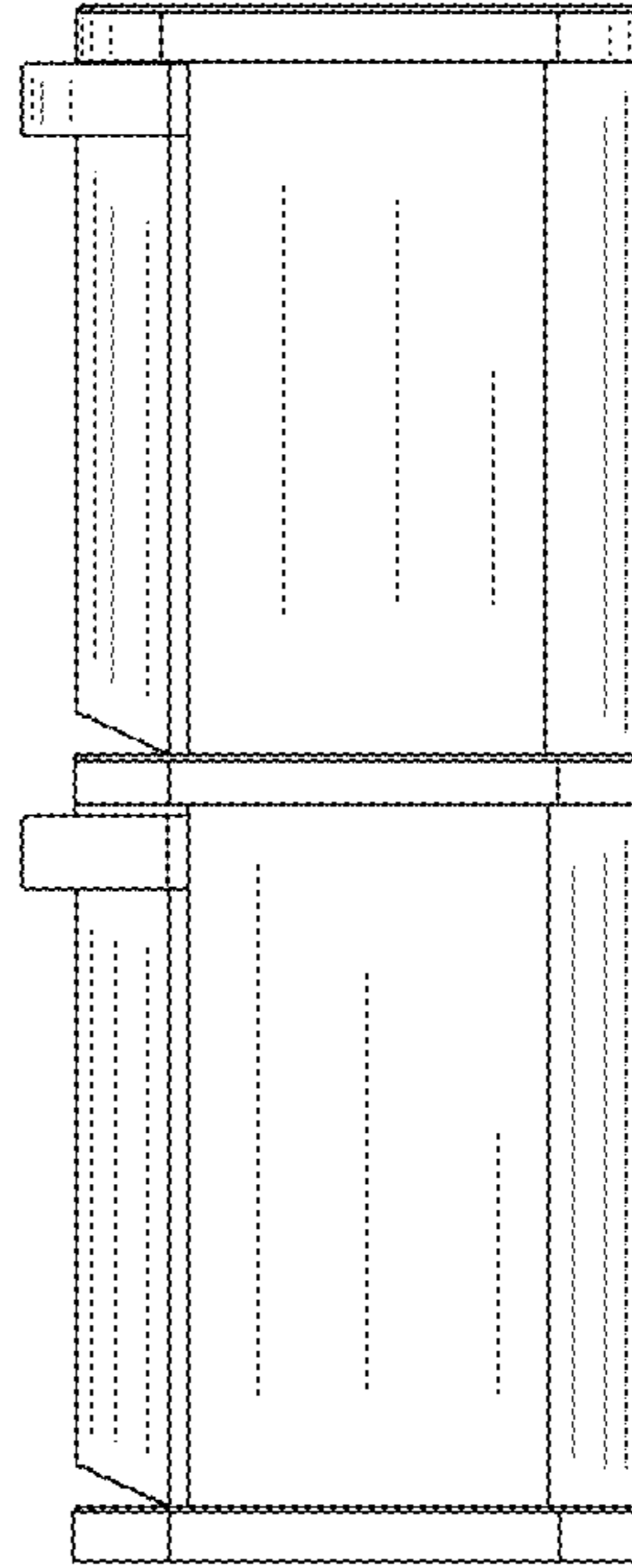


Fig. 4

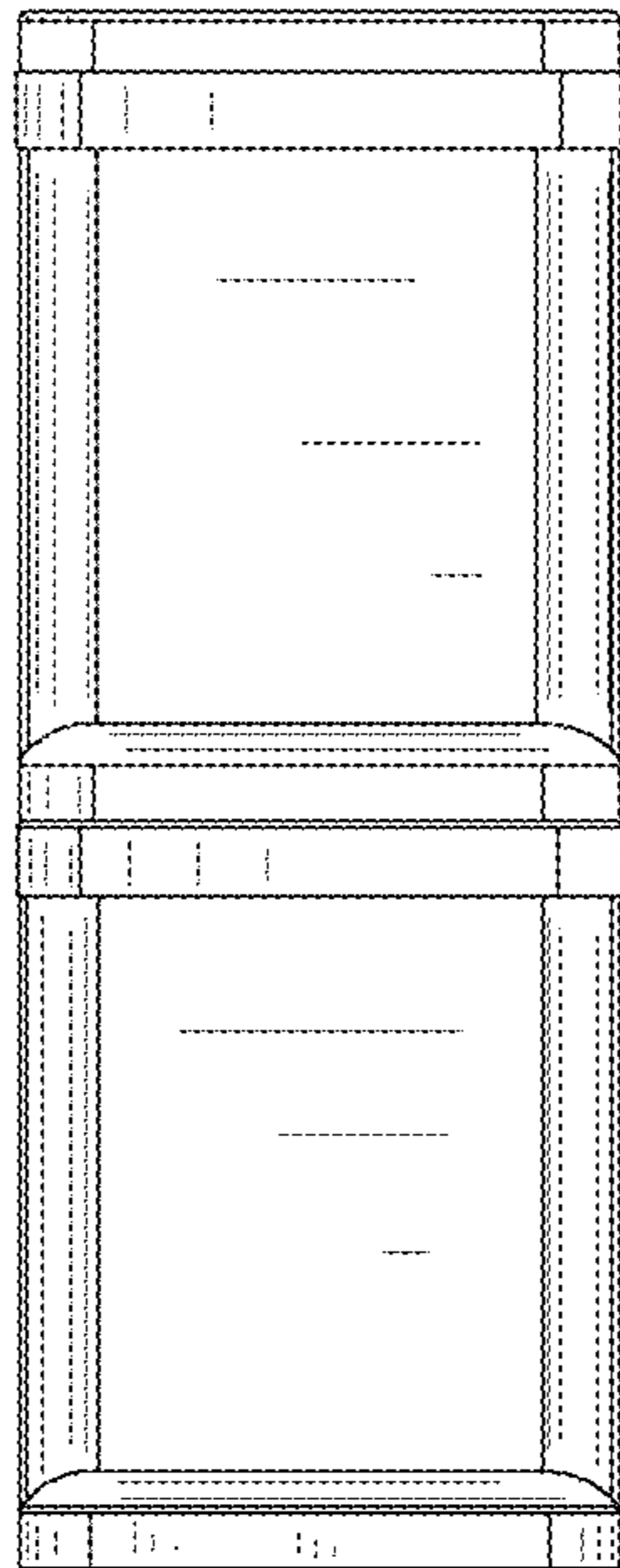


Fig. 2

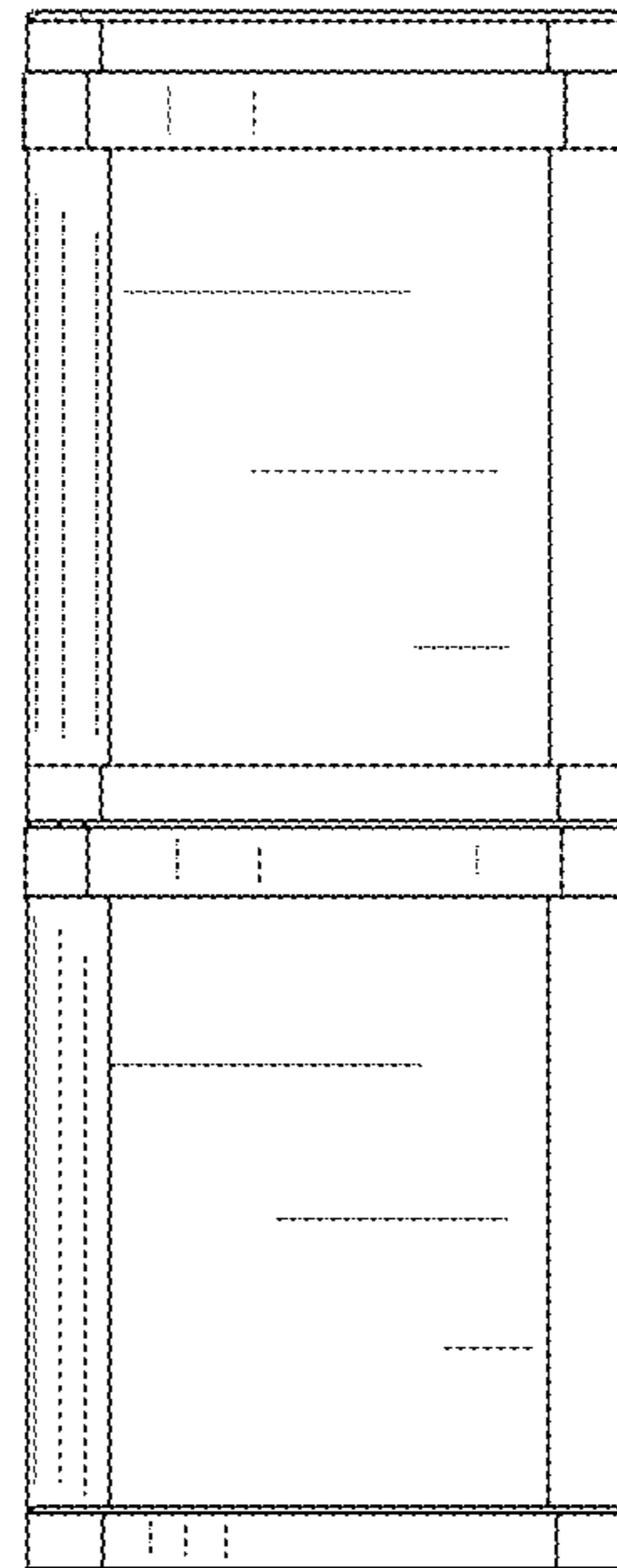


Fig. 3

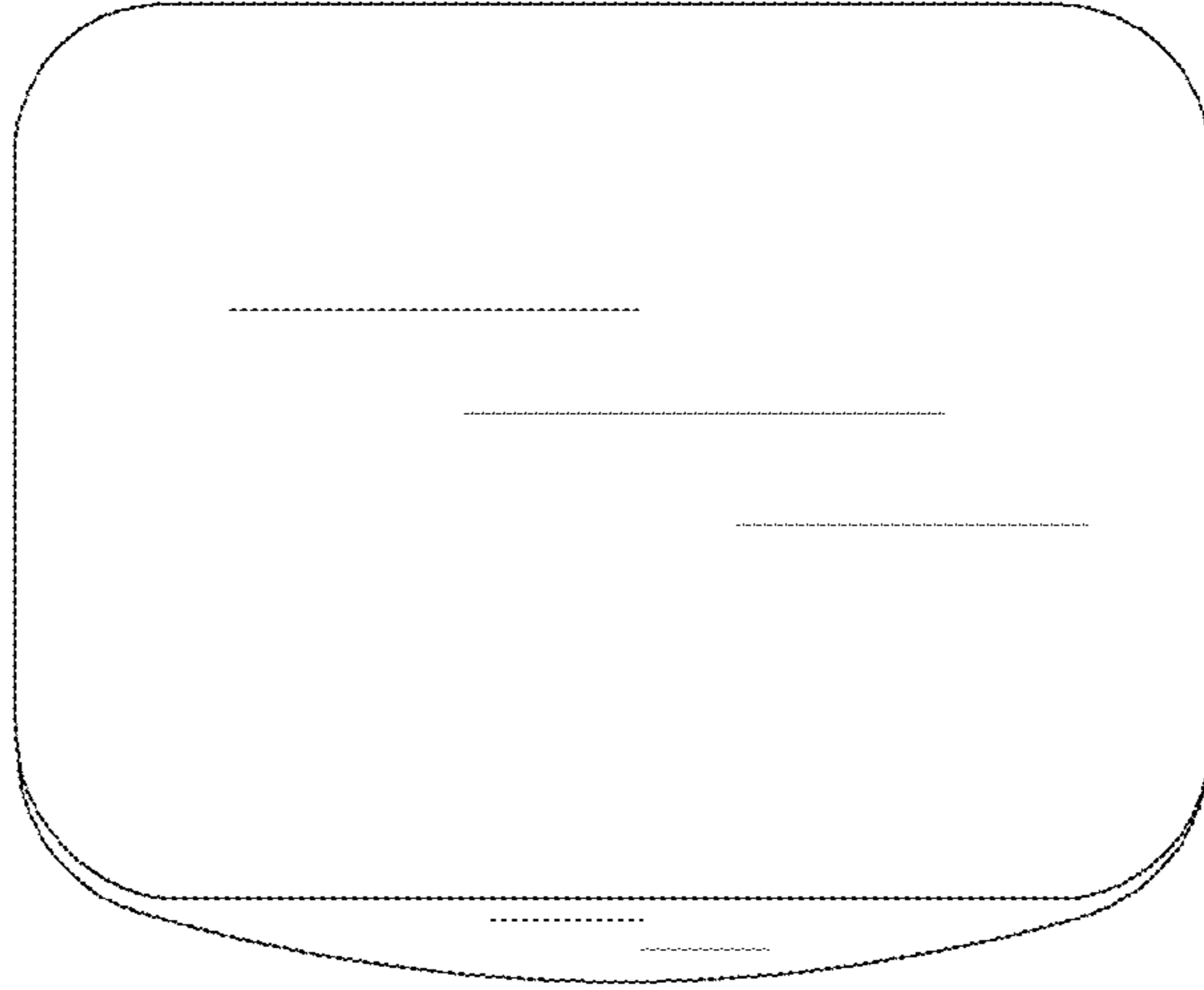


Fig. 6

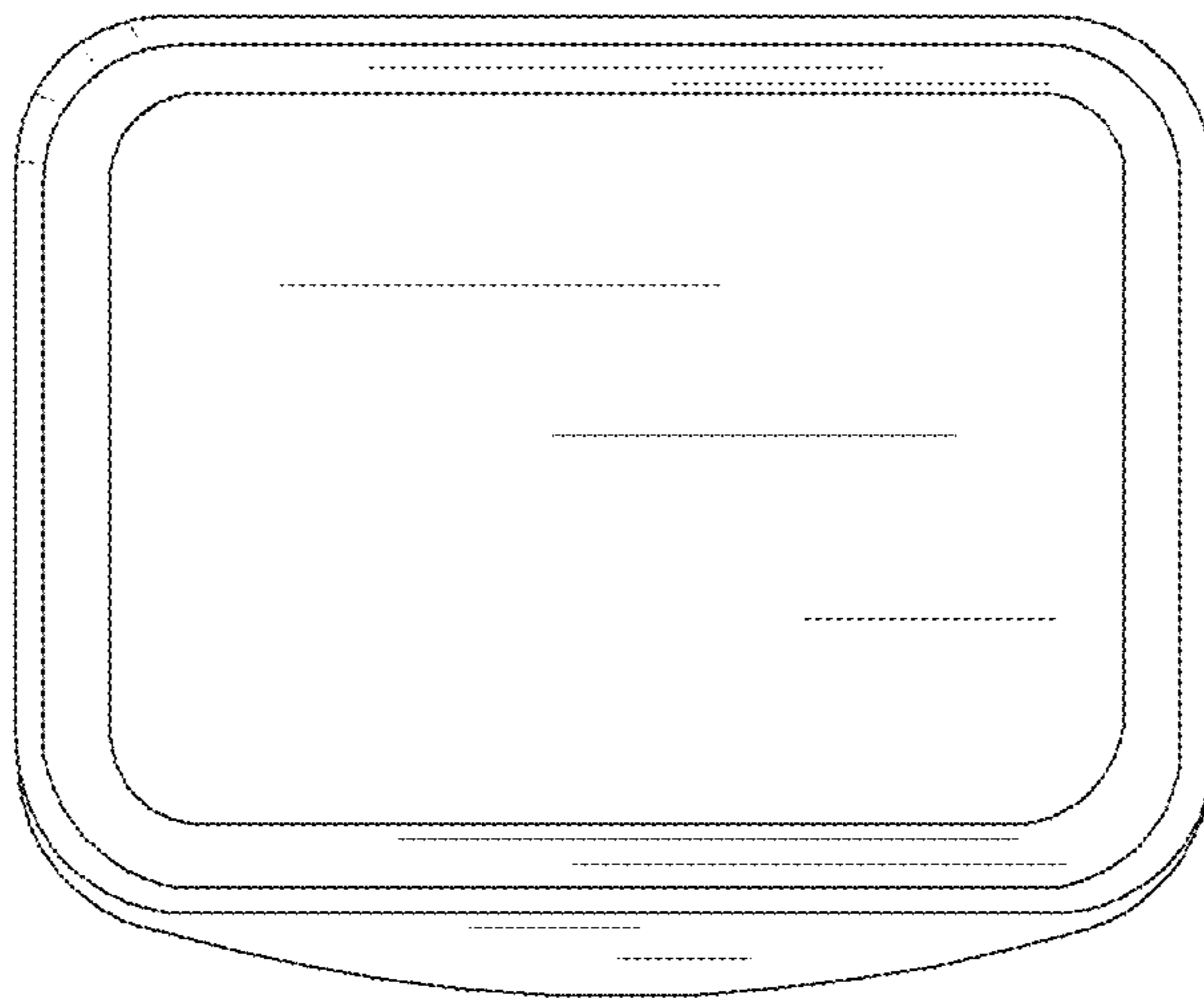


Fig. 5

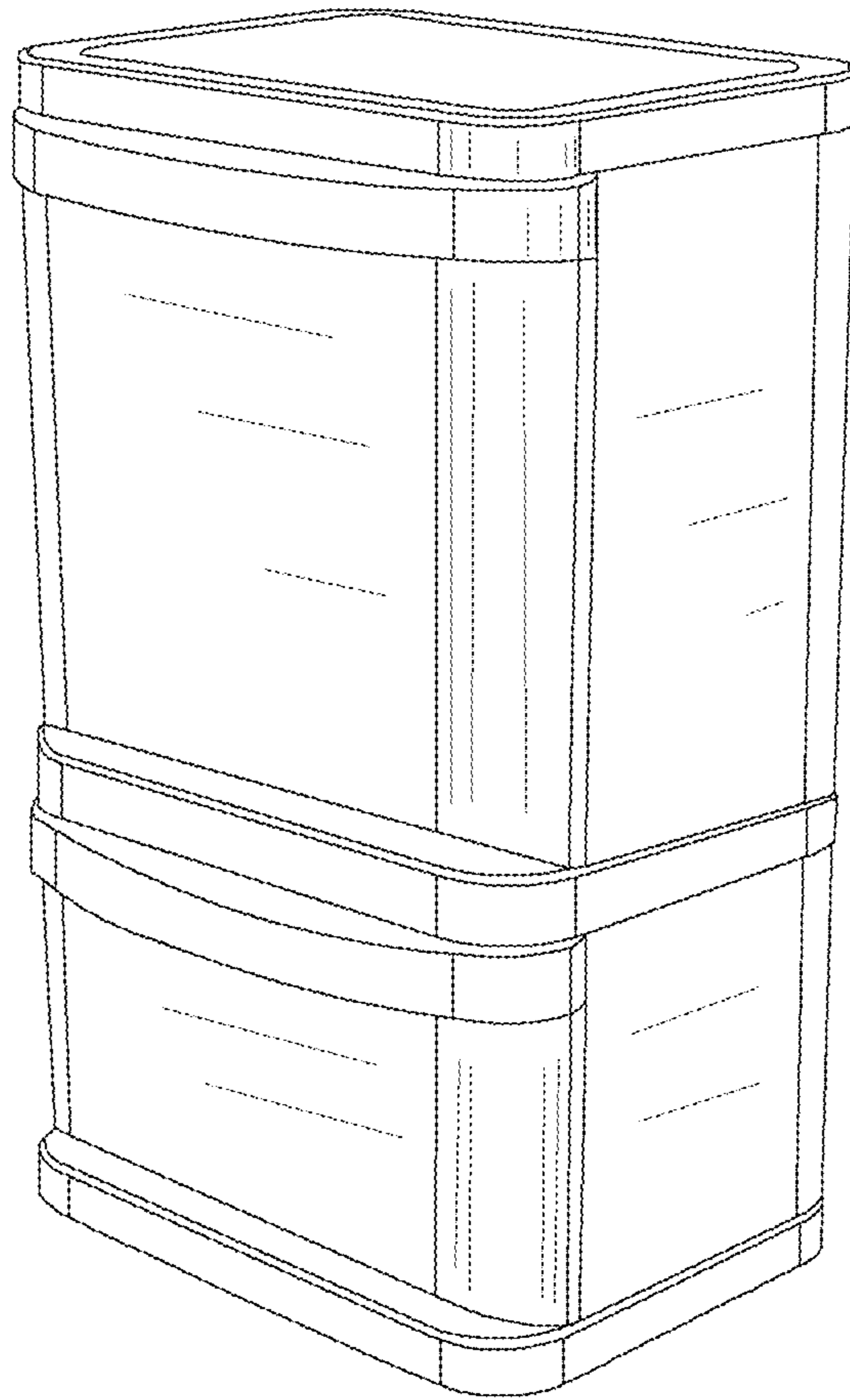


Fig. 7

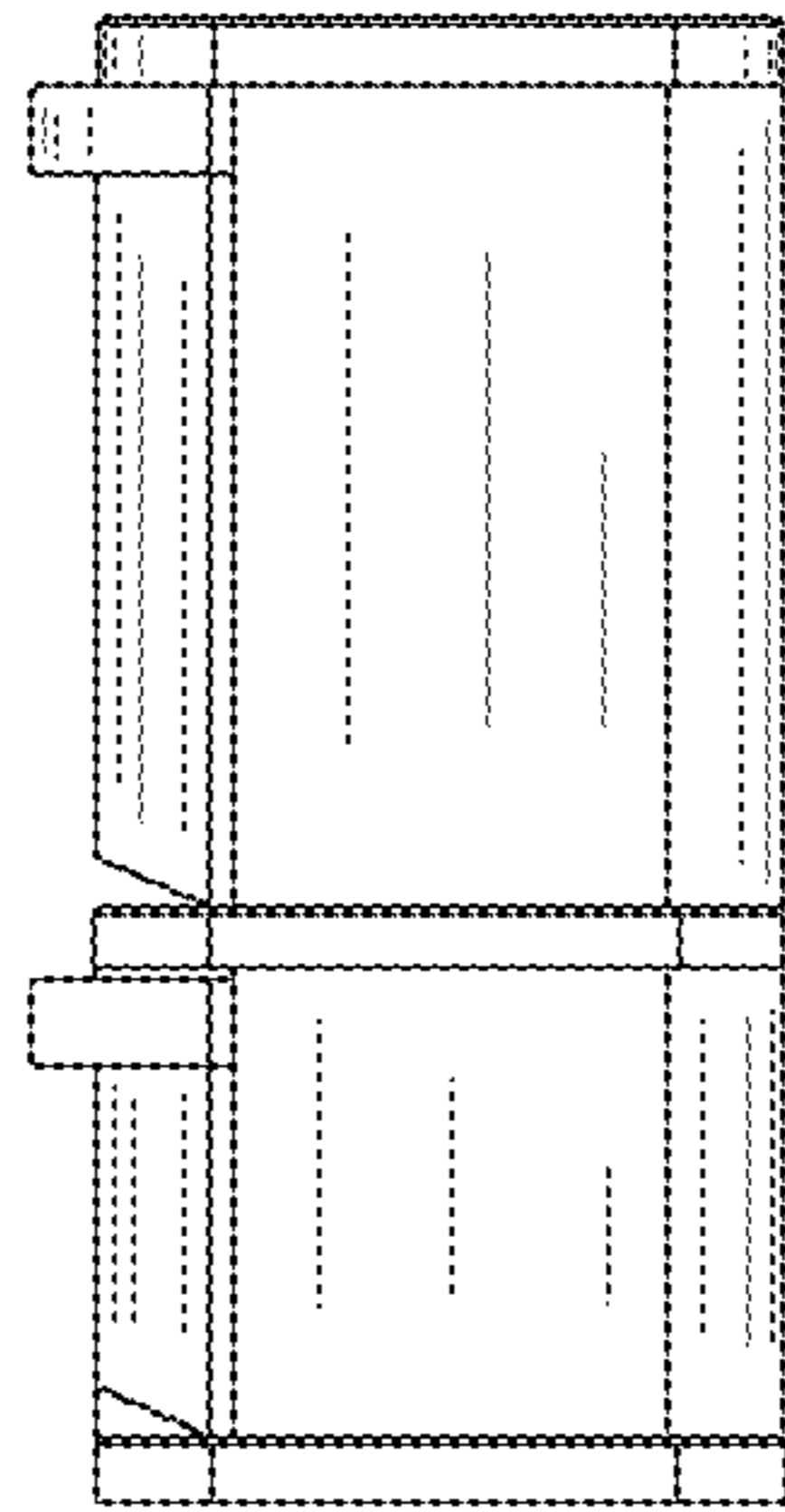


Fig. 10

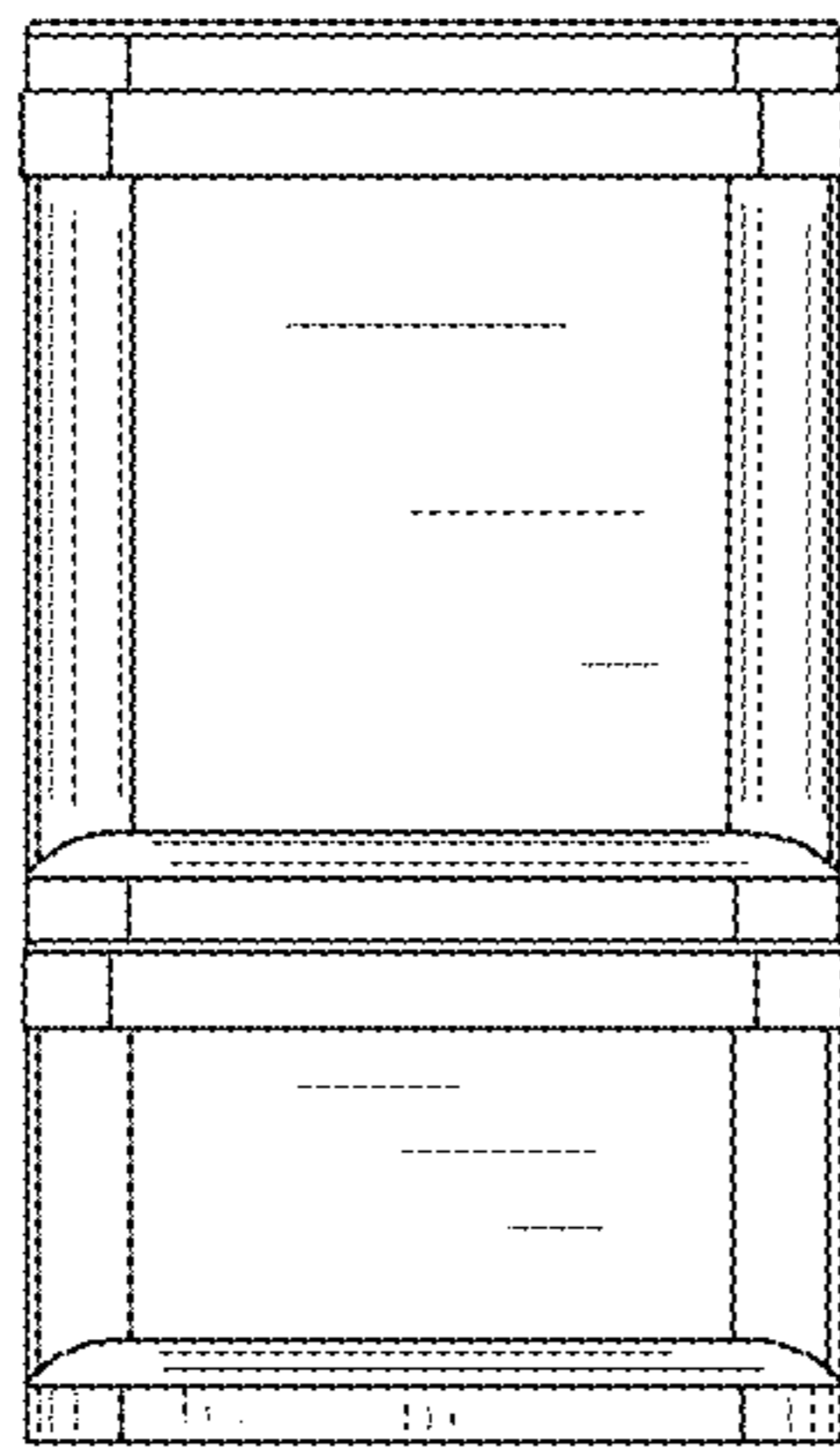


Fig. 8

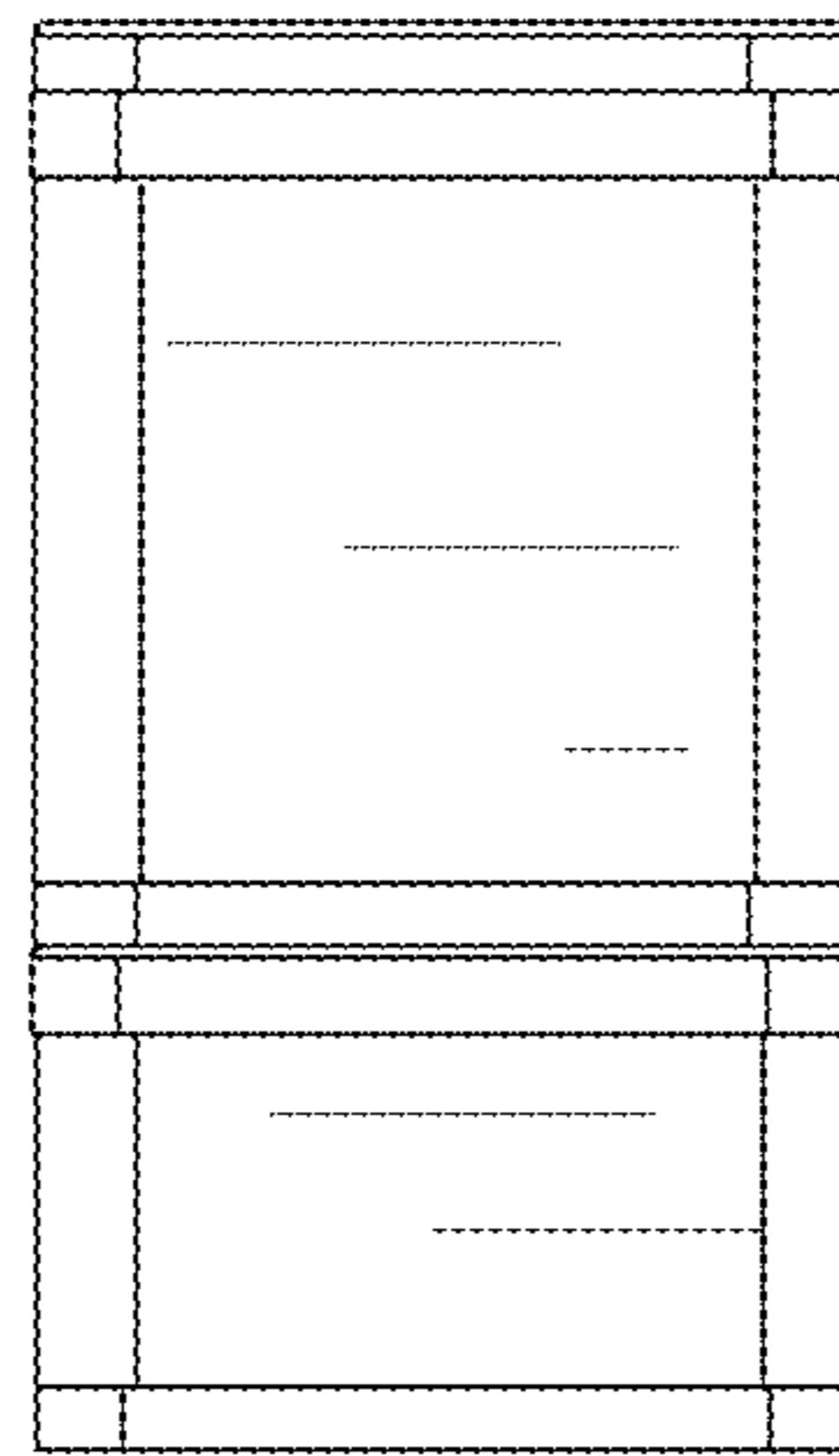


Fig. 9

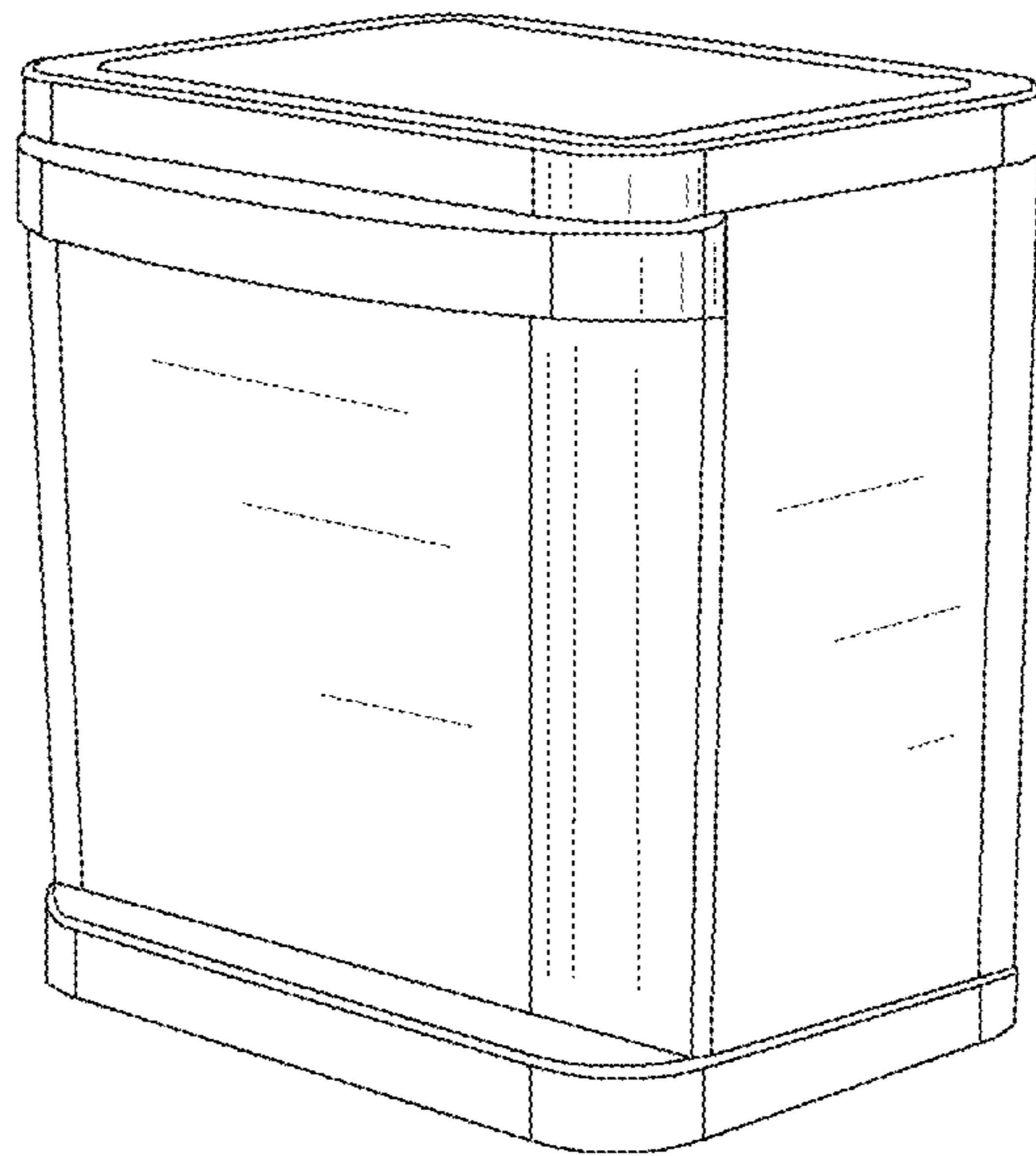


Fig. 11

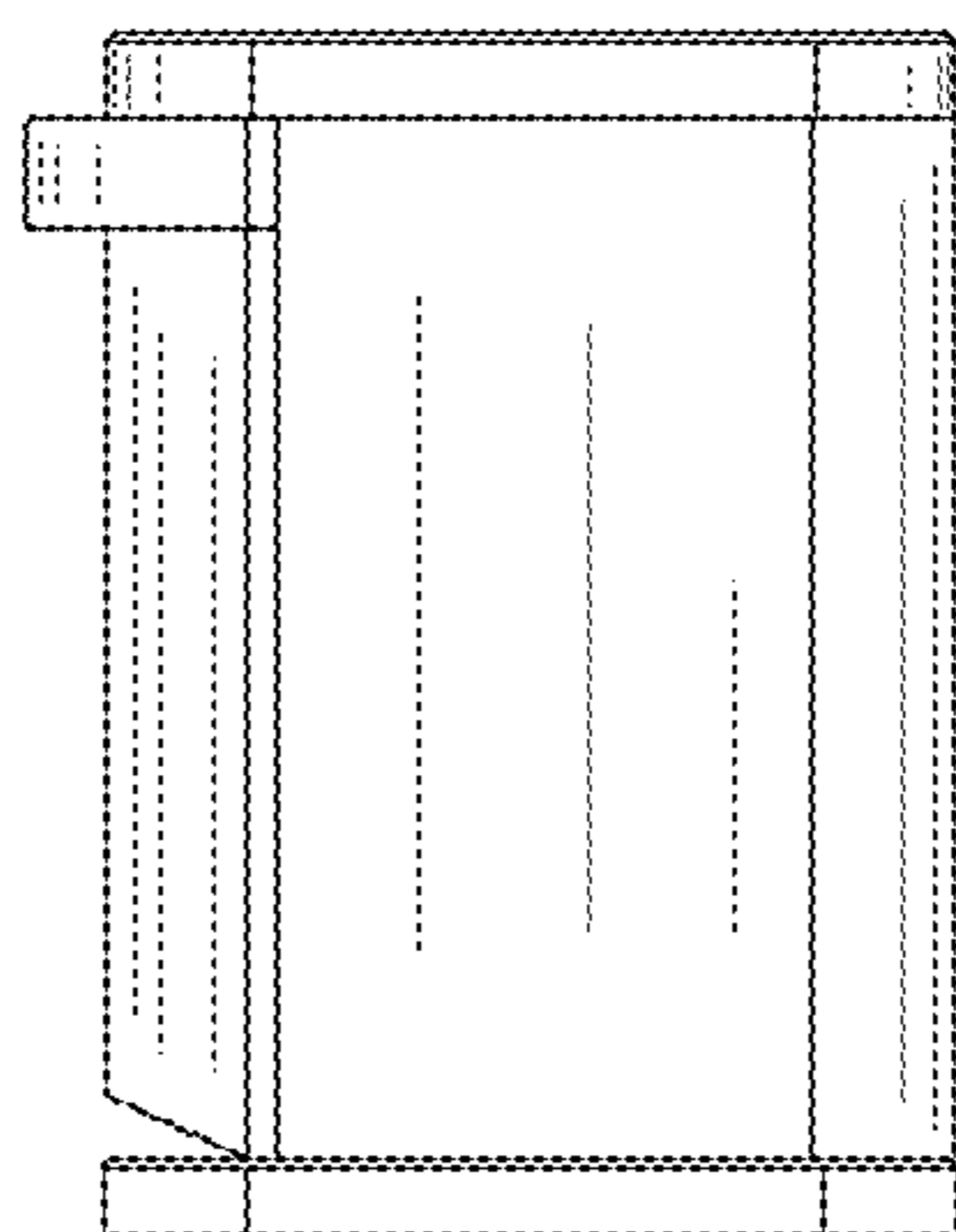


Fig. 14

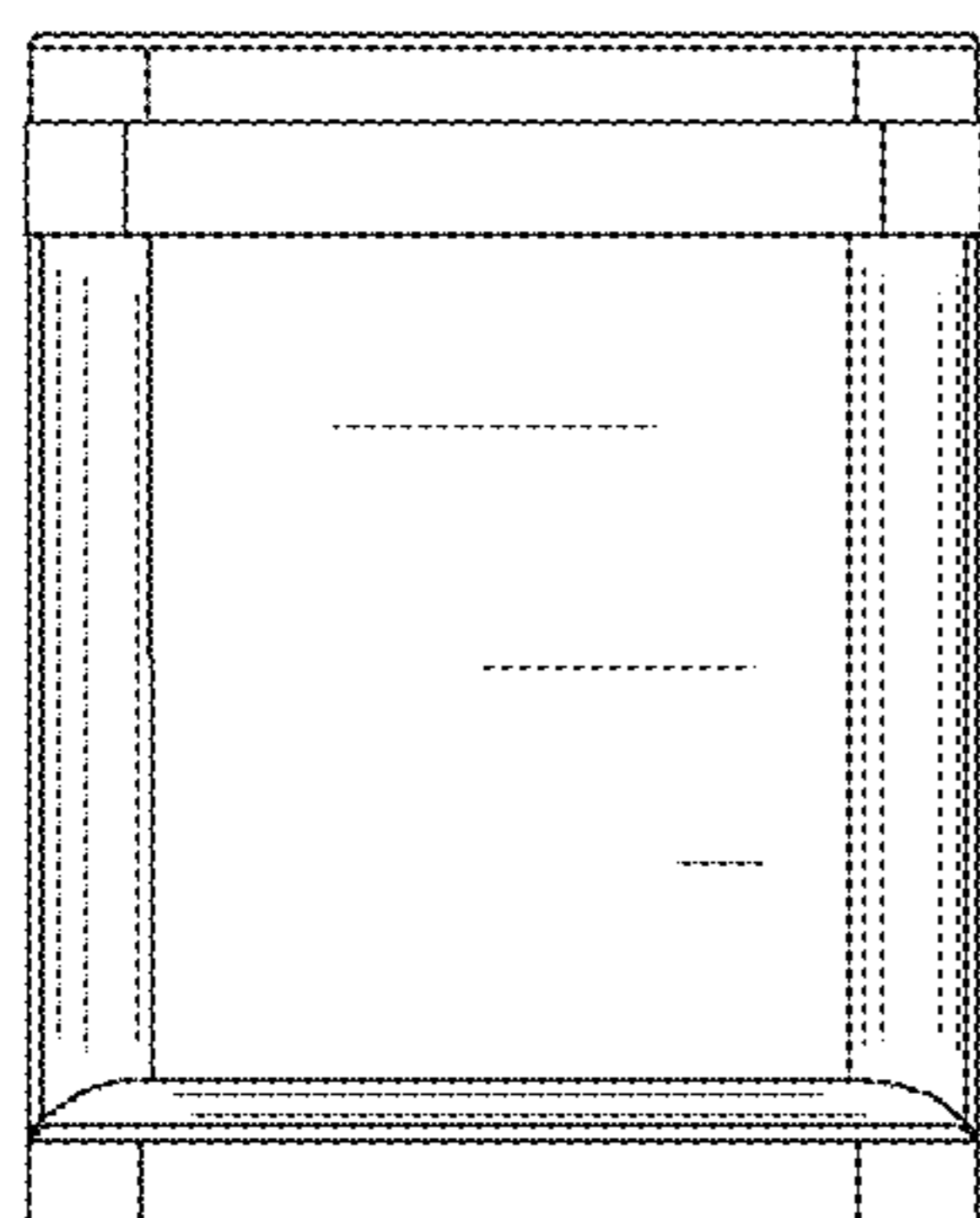


Fig. 12

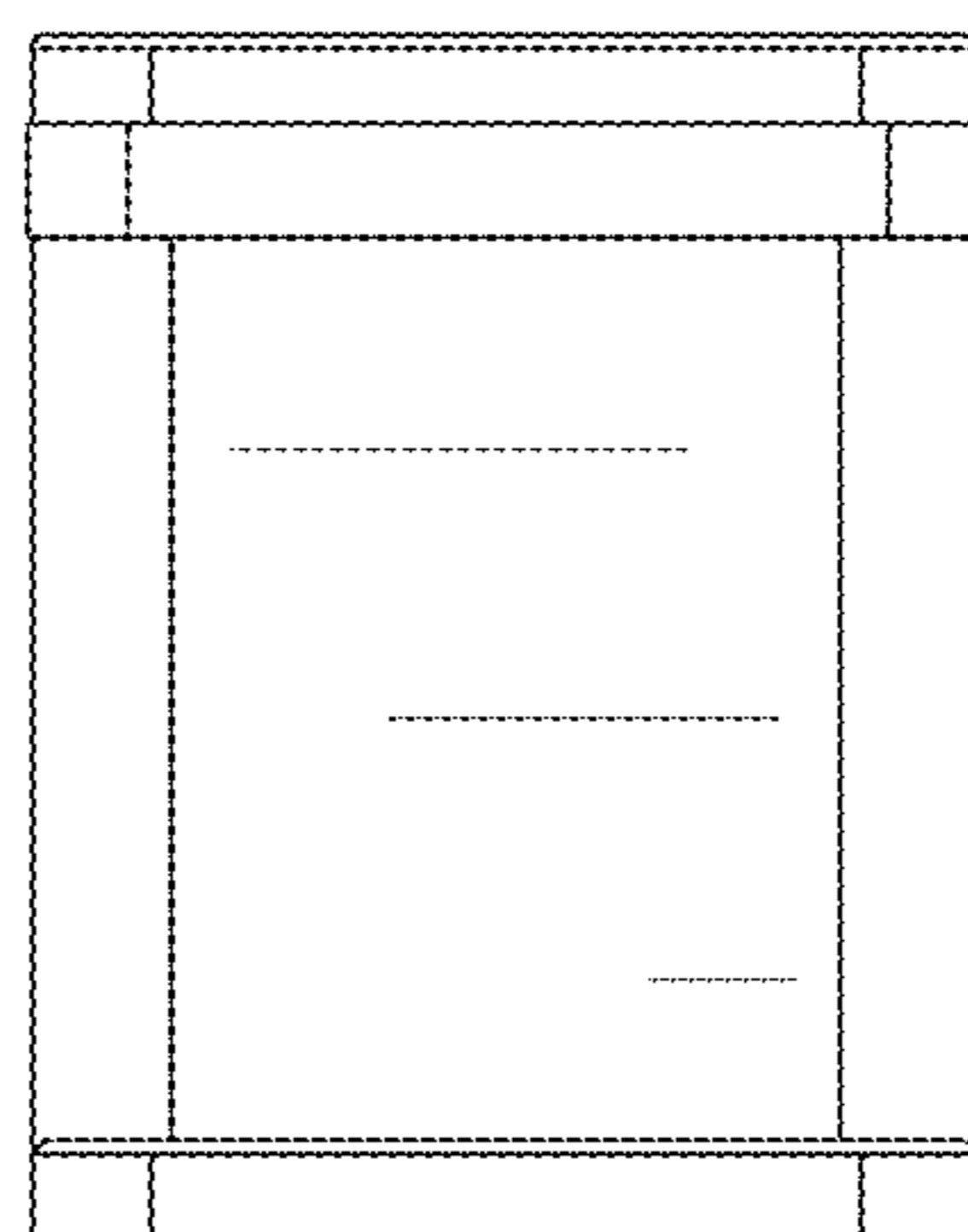


Fig. 13