



US00D815382S

(12) **United States Design Patent**
Minamide et al.

(10) **Patent No.:** **US D815,382 S**
(45) **Date of Patent:** **** Apr. 10, 2018**

(54) **HEAD FOR VACUUM CLEANER**
(71) Applicant: **SAMSUNG ELECTRONICS CO., LTD.**, Suwon-si (KR)
(72) Inventors: **Keiichi Minamide**, Tokyo (JP);
Hirohisa Miyazaki, Tokyo (JP);
Mitsuhiro Shigeri, Yokohama (JP);
Masato Suzuki, Kitaadachi-gun (JP)
(73) Assignee: **SAMSUNG ELECTRONICS CO., LTD.**, Gyeonggi-Do (KR)
(**) Term: **15 Years**

D520,202 S *	5/2006	Dyson	D32/33
D538,986 S *	3/2007	Ingram	D32/32
D566,357 S *	4/2008	Santiago	D32/32
D621,565 S *	8/2010	Pierce	D32/32
D622,919 S *	8/2010	Wertz	D32/32
D635,315 S *	3/2011	Wertz	D32/32
D713,110 S *	9/2014	Erlich	D32/33
D750,858 S *	3/2016	Aramli	D23/213
D780,392 S *	2/2017	Mikula	D32/32
D781,016 S *	3/2017	Ulm	D32/33

* cited by examiner

Primary Examiner — Ruth McInroy

(74) *Attorney, Agent, or Firm* — Cantor Colburn LLP

(21) Appl. No.: **29/550,150**
(22) Filed: **Dec. 30, 2015**
(30) **Foreign Application Priority Data**

Jul. 1, 2015 (KR) 30-2015-0033216

(51) **LOC (11) Cl.** **15-05**

(52) **U.S. Cl.**
USPC **D32/33**

(58) **Field of Classification Search**
USPC D8/396; D32/31-33
CPC F16M 13/02; A24F 19/092; F16L 27/12;
A47L 9/242; A47L 9/02; A47L 5/362;
A47L 5/28; A47L 5/34; A47L 5/30; A47G
25/66; E04H 4/1654
See application file for complete search history.

(56) **References Cited**

U.S. PATENT DOCUMENTS

D149,061 S *	3/1948	Harvuot	D32/32
D518,259 S *	3/2006	Wertz	D32/33

(57) **CLAIM**

The ornamental design for a head for vacuum cleaner, as shown and described.

DESCRIPTION

FIG. 1 is a front perspective view of a head for vacuum cleaner, showing our new design;
FIG. 2 is a front view thereof;
FIG. 3 is a rear view thereof;
FIG. 4 is a left-side view thereof;
FIG. 5 is a right-side view thereof;
FIG. 6 is a top view thereof;
FIG. 7 is a bottom view thereof;
FIG. 8 is a rear perspective view thereof;
FIG. 9 is another side view thereof in an alternate configuration; and,
FIG. 10 is another side view thereof in an environment of use.
The broken lines are for illustrative purposes only and form no part of the claimed design.

1 Claim, 7 Drawing Sheets

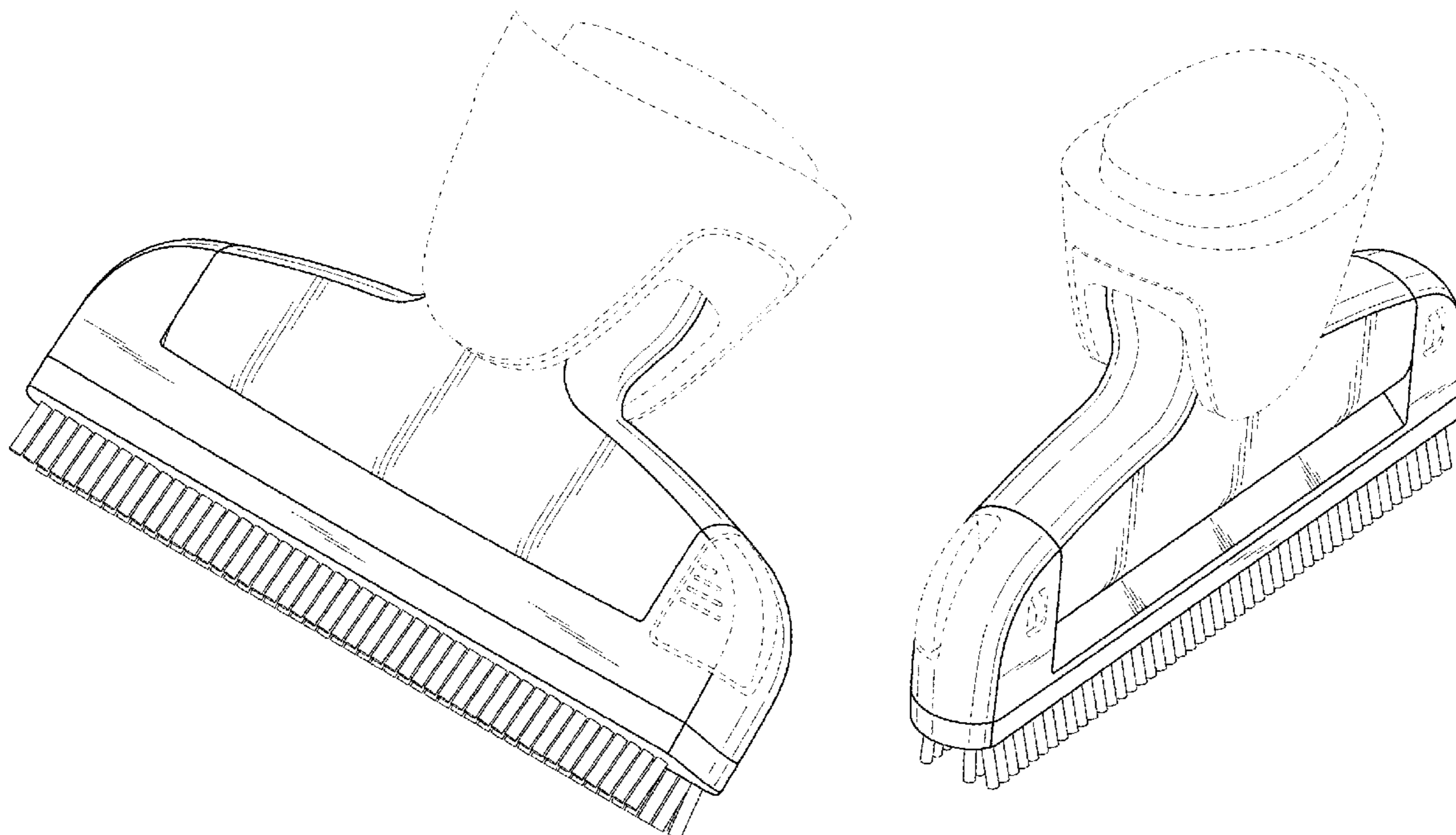


FIG.1

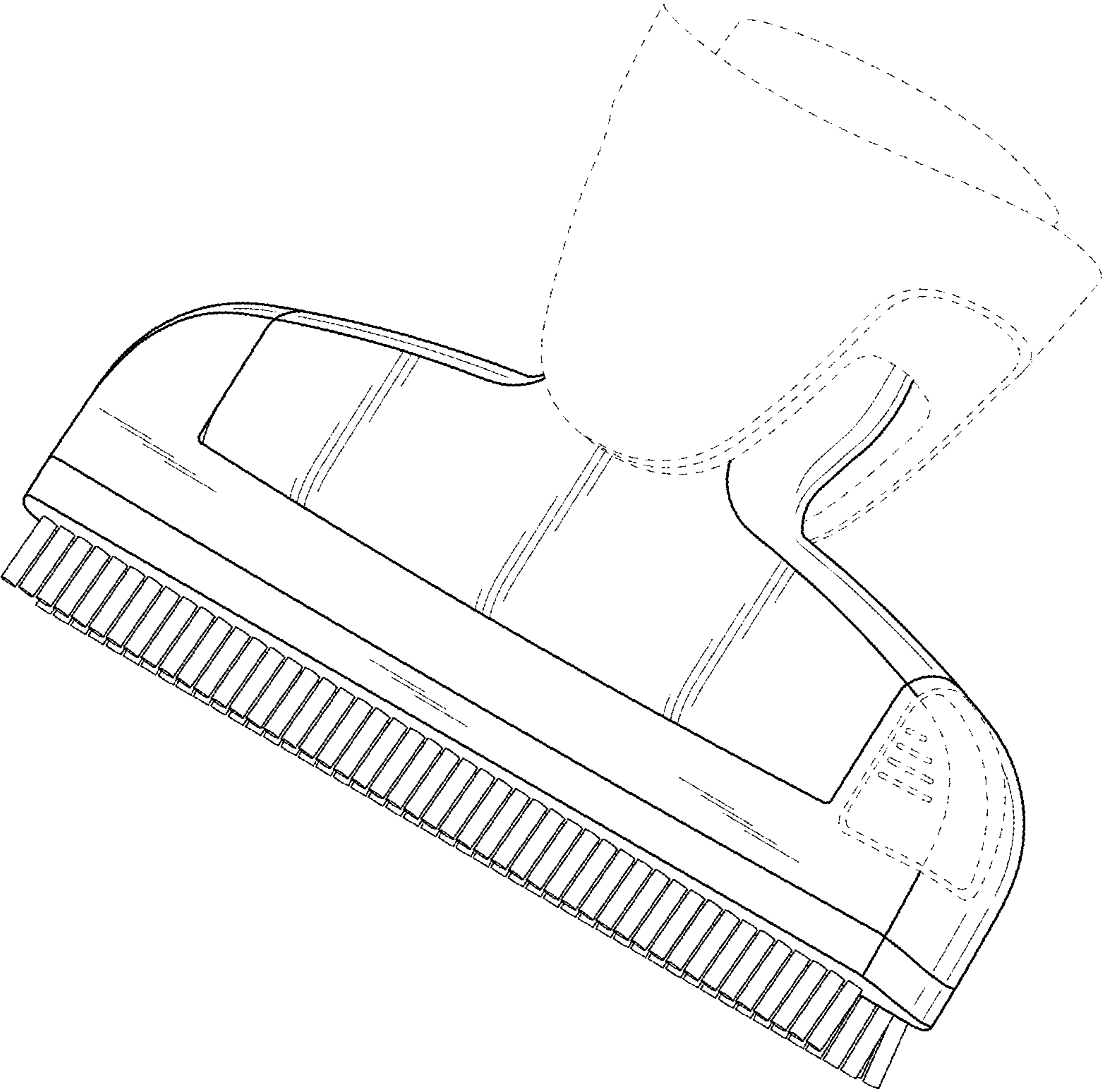


FIG.2

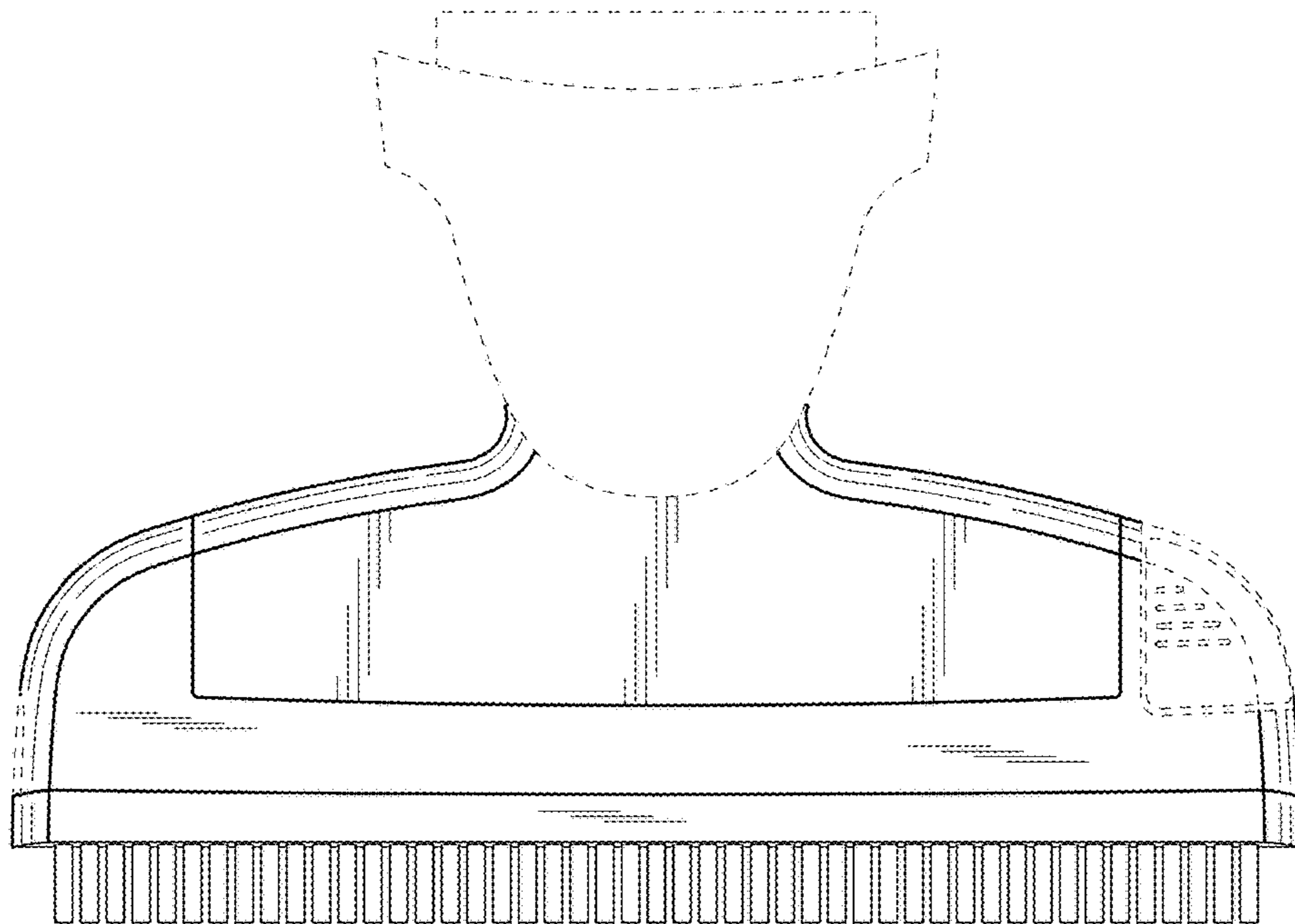


FIG.3

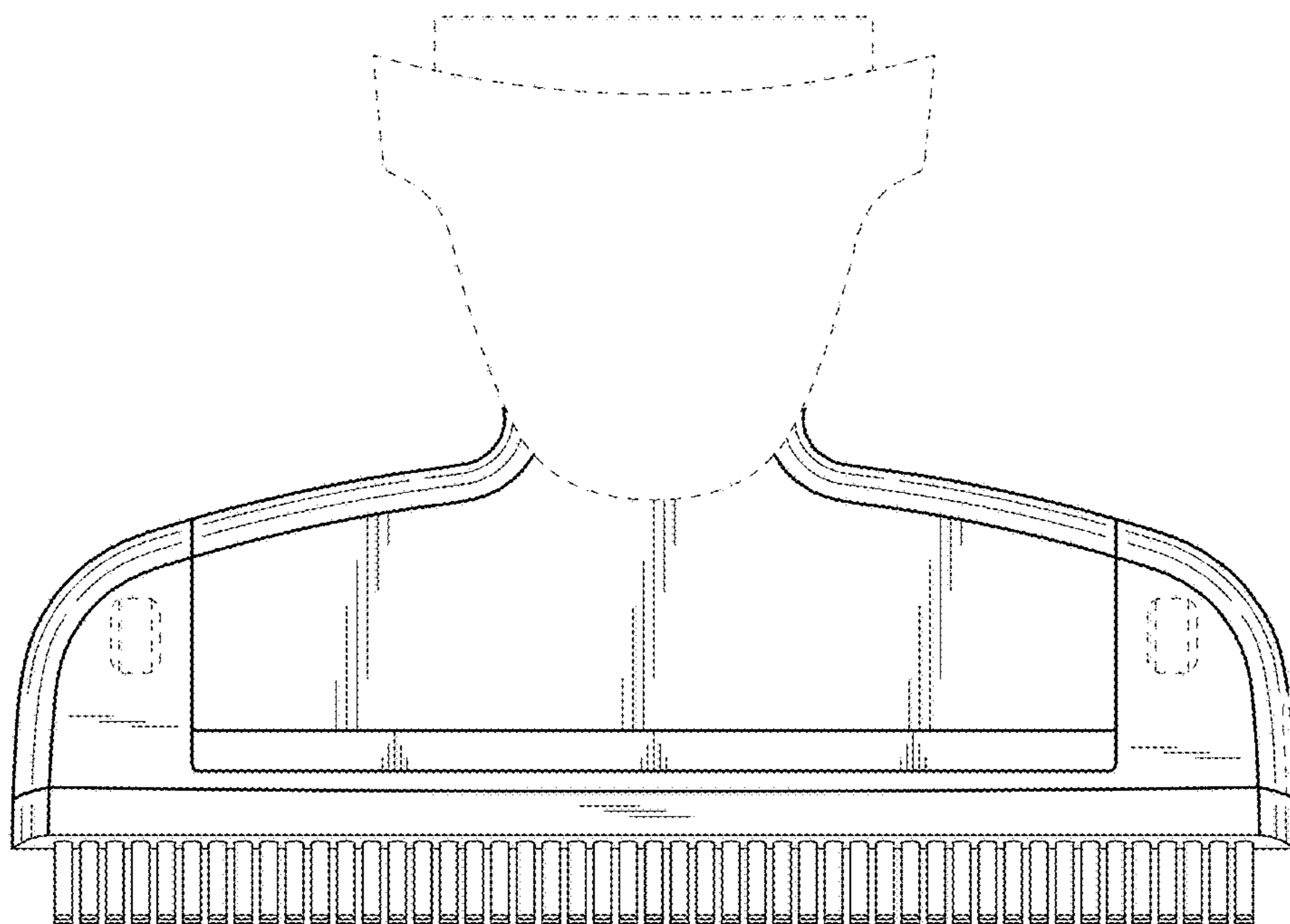


FIG.4

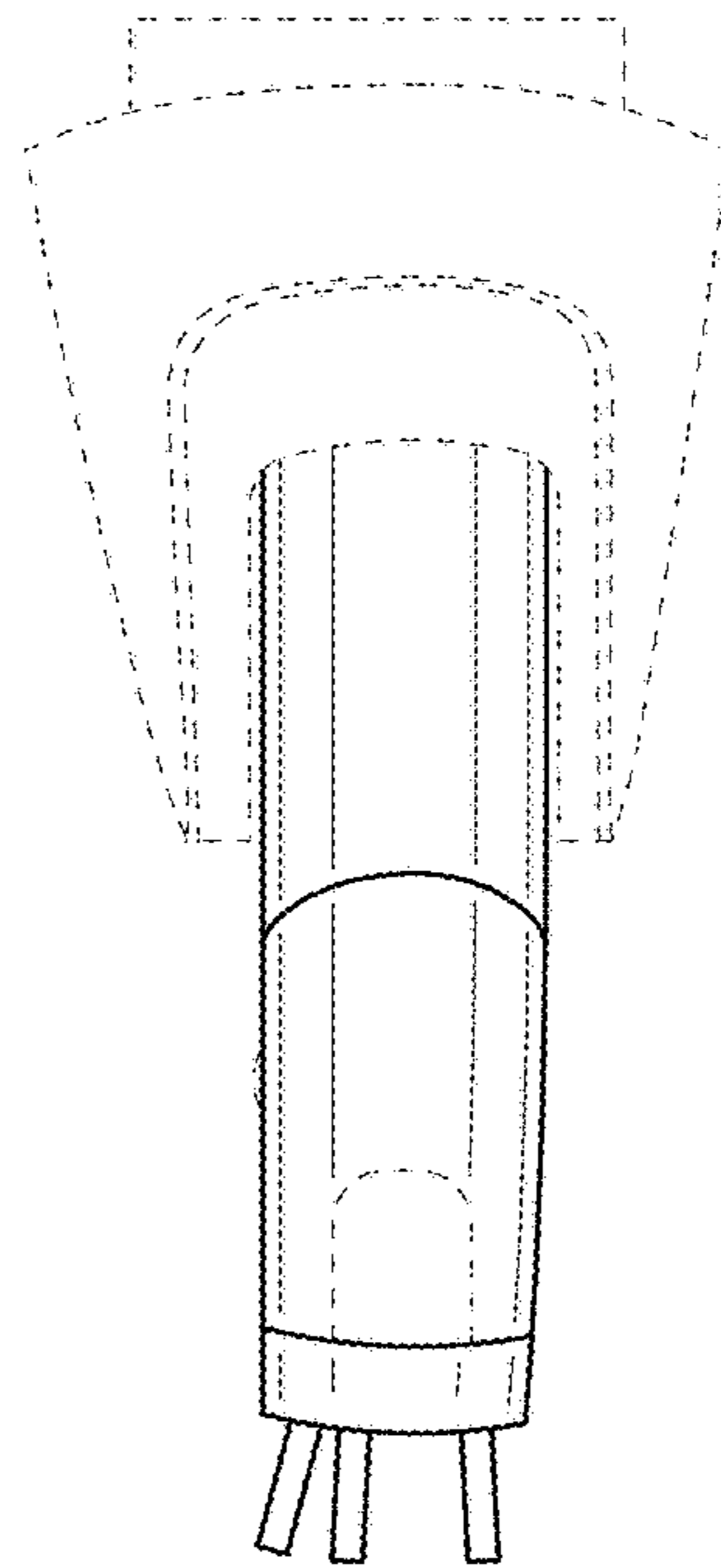


FIG.5

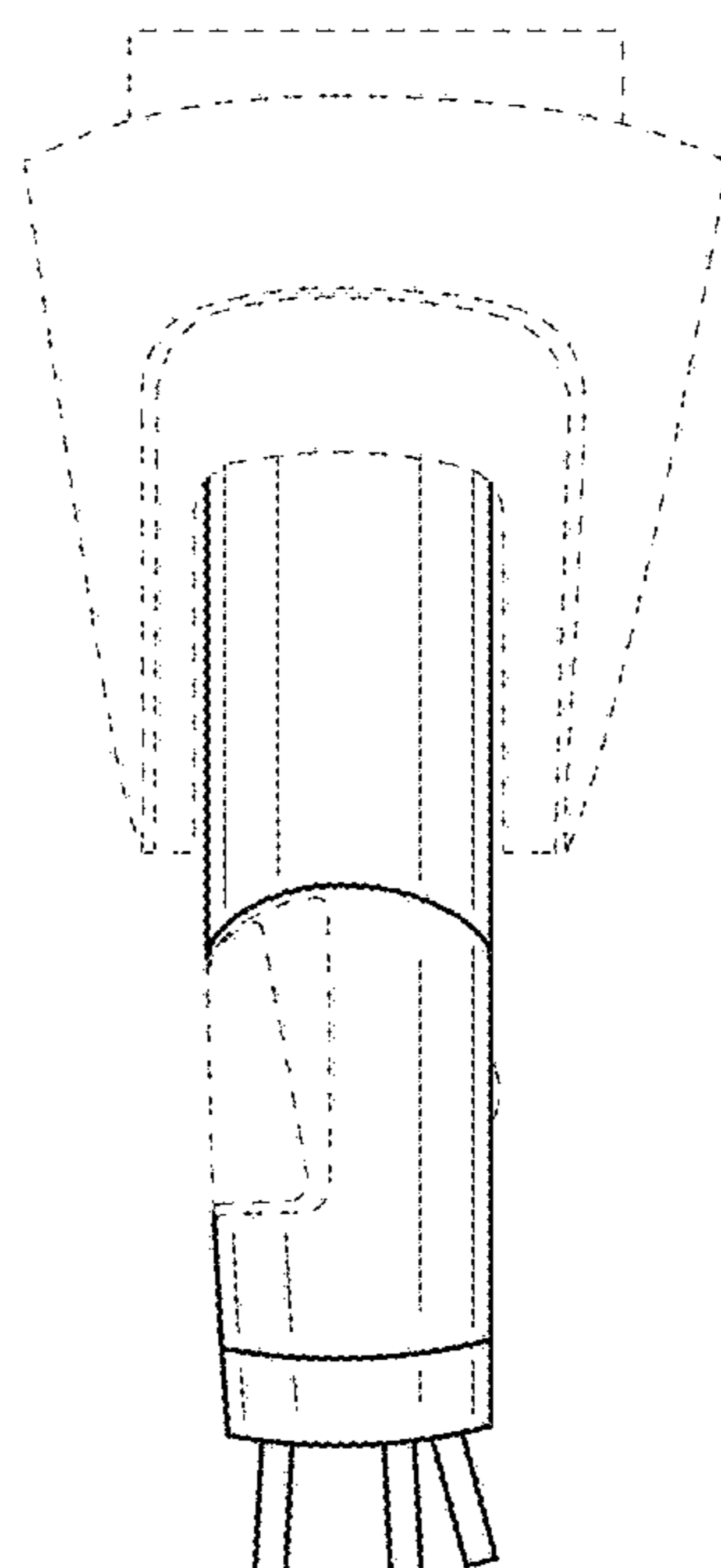


FIG.6

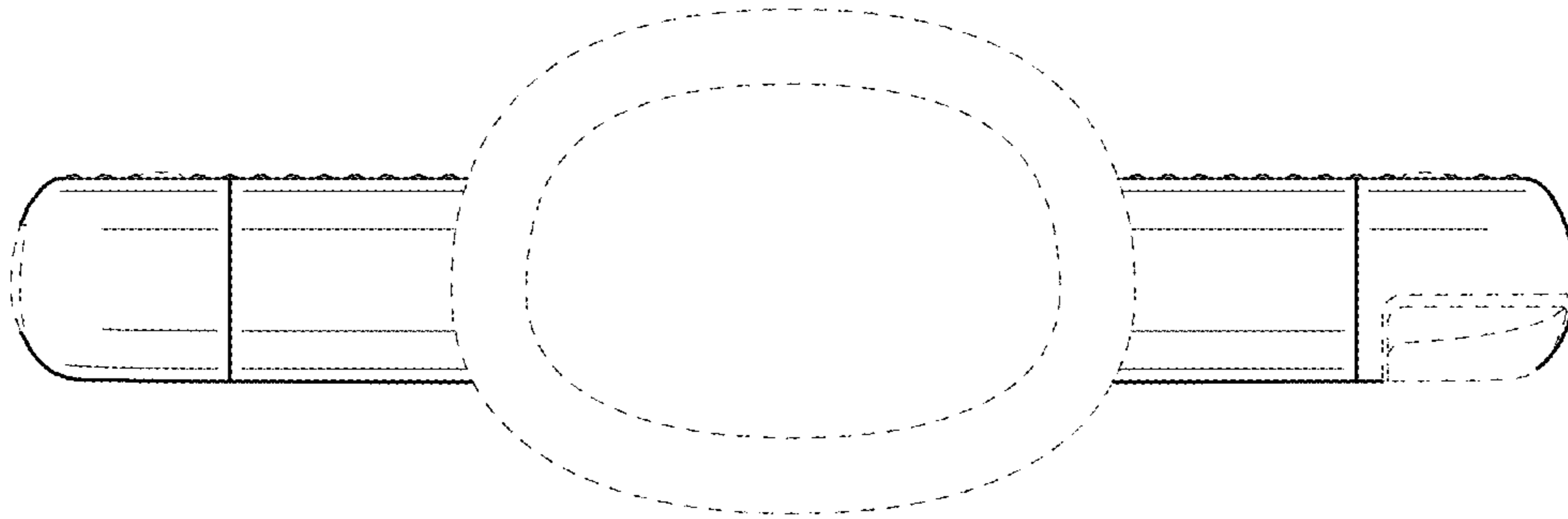


FIG.7

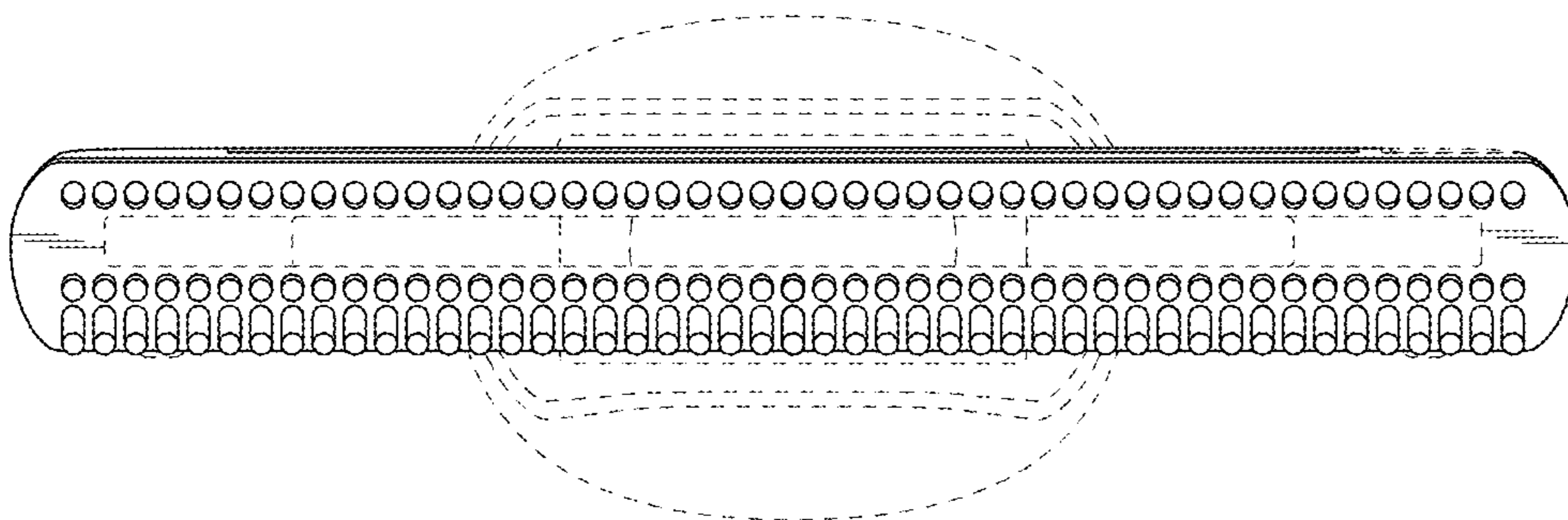


FIG.8

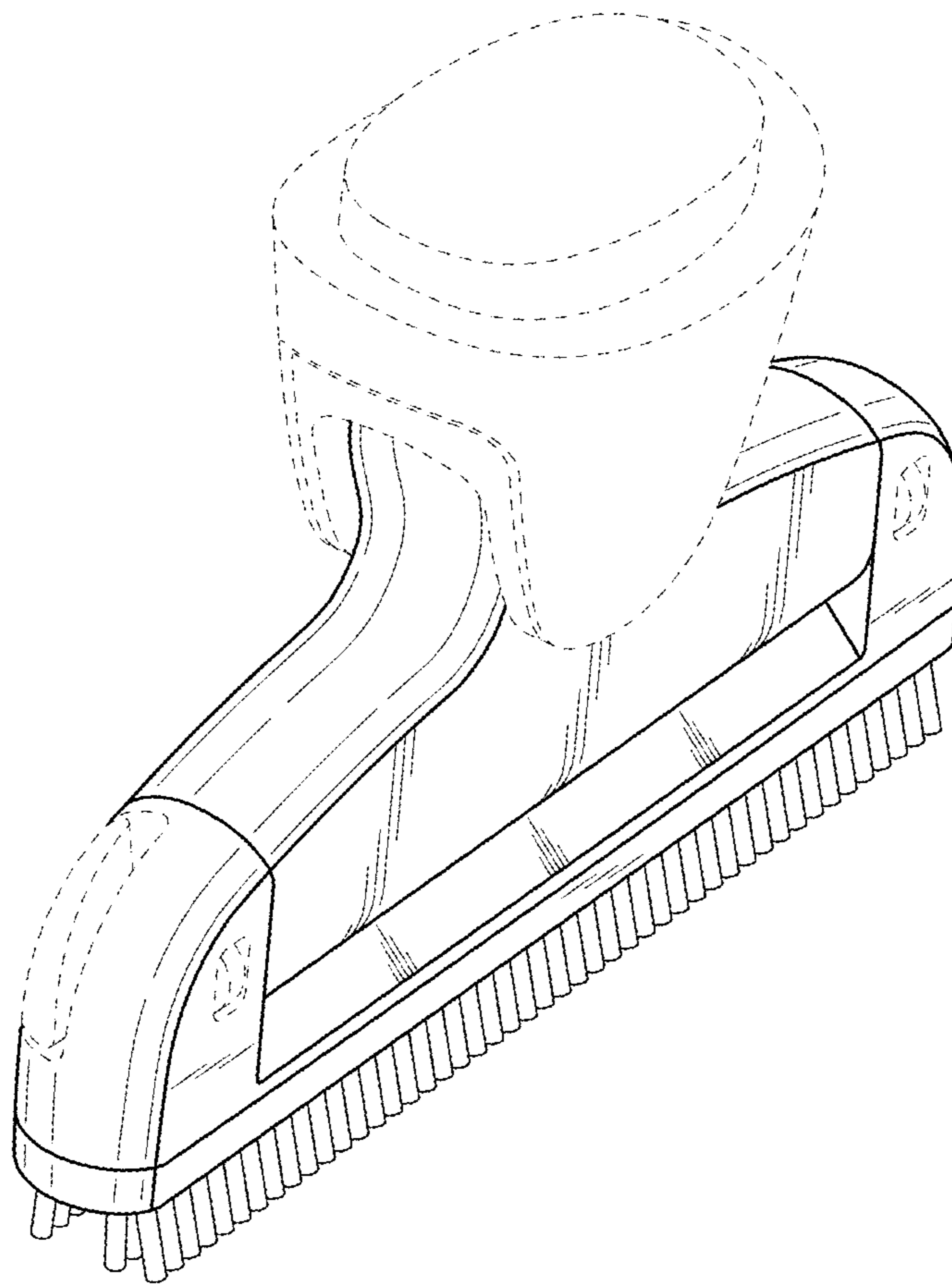


FIG.9

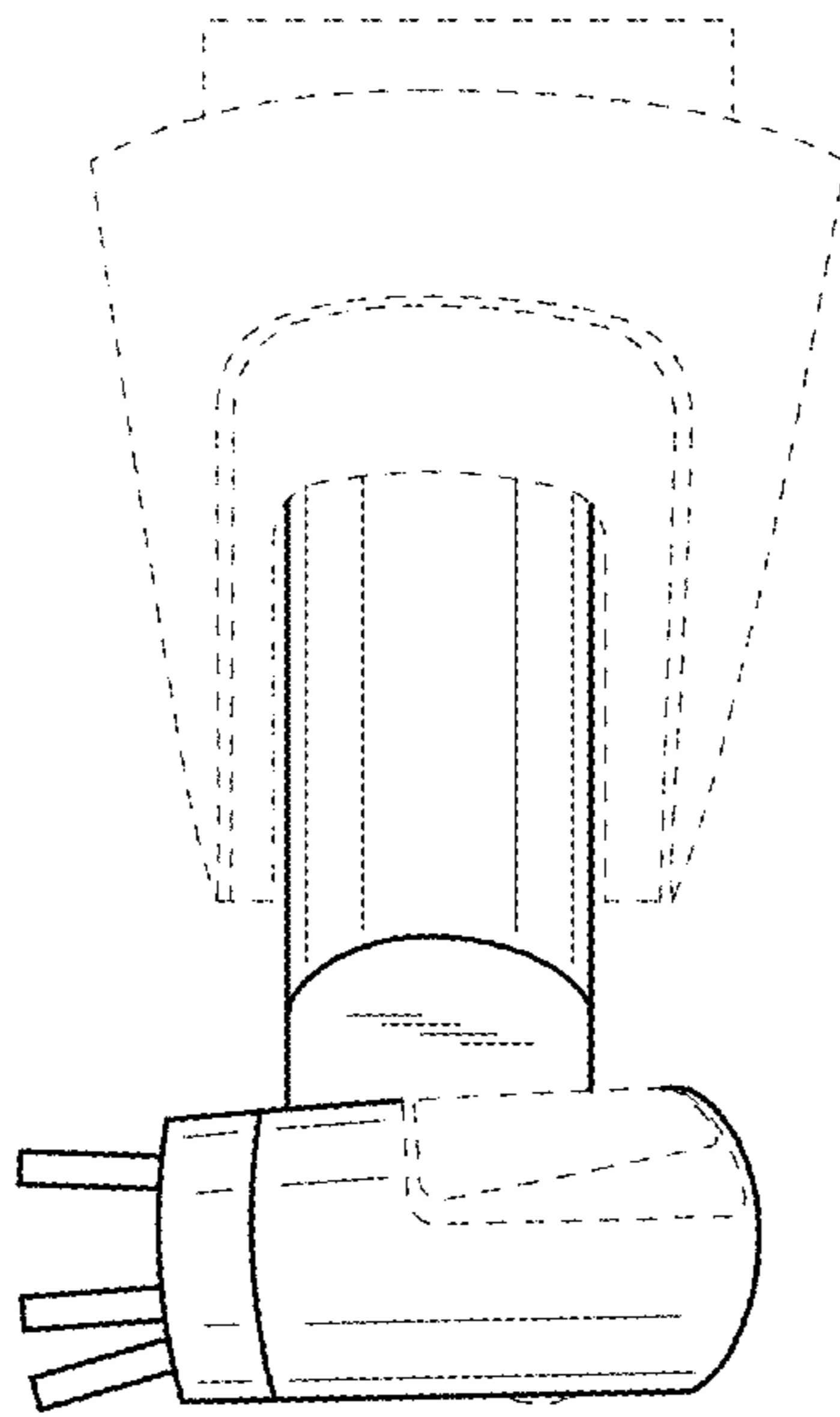


FIG.10

