



US00D815381S

(12) **United States Design Patent**  
**Dammkoehler et al.**

(10) **Patent No.:** **US D815,381 S**

(45) **Date of Patent:** **\*\* Apr. 10, 2018**

(54) **ATTACHMENT FOR A FLOOR CLEANING MACHINE**

(71) Applicant: **Alfred Kaercher GmbH & Co. KG**, Winnenden (DE)

(72) Inventors: **Denis Dammkoehler**, Backnang (DE); **Zheyi Jin**, Backnang (DE); **Yunjin Zhao**, Winnenden (DE)

(73) Assignee: **Alfred Kaercher GmbH & Co. KG**, Winnenden (DE)

(\*\*) Term: **15 Years**

(21) Appl. No.: **29/574,135**

(22) Filed: **Aug. 12, 2016**

(30) **Foreign Application Priority Data**

Mar. 11, 2016 (WO) ..... DM/089826

(51) **LOC (11) Cl.** ..... **15-05**

(52) **U.S. Cl.**  
USPC ..... **D32/32**

(58) **Field of Classification Search**  
USPC ..... D32/31-34, 22  
CPC ..... A47L 5/24; A47L 5/38; A47L 5/28; A47L 11/4044; A47L 11/34; A47L 7/0038; A47L 9/325; A47L 9/02; A47L 1/08; D01H 11/006; B60S 1/64; A46B 11/001; A46B 11/002; B08B 3/026; B08B 3/028  
See application file for complete search history.

(56) **References Cited**

**U.S. PATENT DOCUMENTS**

D392,780 S \* 3/1998 Holsten ..... D32/33  
D424,766 S \* 5/2000 Martin ..... D32/32

D468,499 S \* 1/2003 Kitts ..... D32/32  
D563,615 S \* 3/2008 Roschi ..... D32/32  
D580,611 S \* 11/2008 Roschi ..... D32/33  
D643,582 S \* 8/2011 Ashbee ..... D32/33  
D649,725 S \* 11/2011 Fjellman ..... D32/32  
D698,510 S \* 1/2014 Chu ..... D32/32  
D706,504 S \* 6/2014 Park ..... D32/33  
D770,711 S \* 11/2016 Okada ..... D32/32  
D776,380 S \* 1/2017 Yoneda ..... D32/32  
D779,139 S \* 2/2017 Yoneda ..... D32/32

\* cited by examiner

*Primary Examiner* — Ruth McInroy

(74) *Attorney, Agent, or Firm* — Lipsitz & McAllister, LLC

(57) **CLAIM**

The ornamental design for an attachment for a floor cleaning machine, as shown and described.

**DESCRIPTION**

FIG. 1 is a front, top and right side perspective view of an attachment for a floor cleaning machine showing the new design;

FIG. 2 is a front, top and left side perspective view thereof;

FIG. 3 is a front elevational view thereof;

FIG. 4 is a right side elevational view thereof;

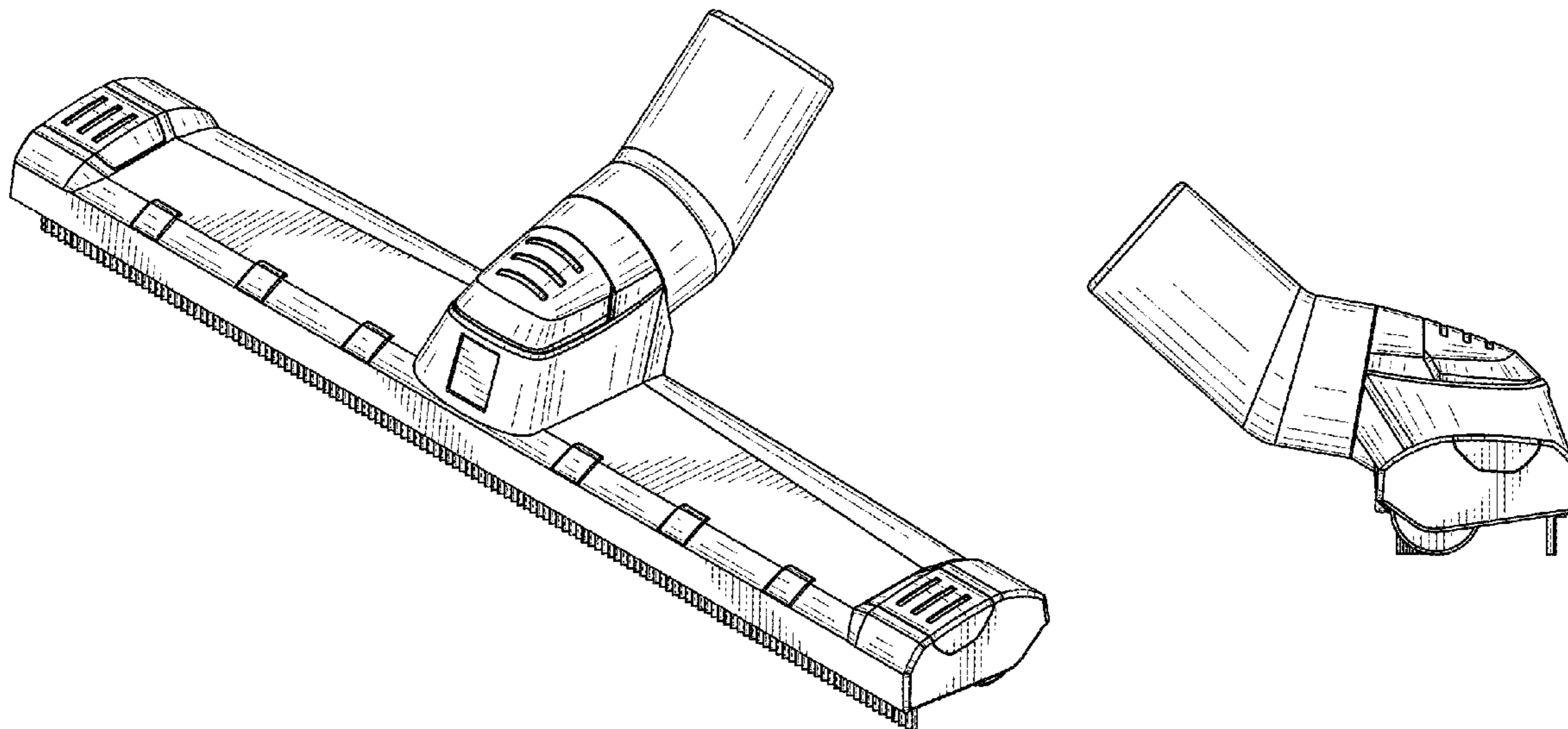
FIG. 5 is a rear elevational view thereof;

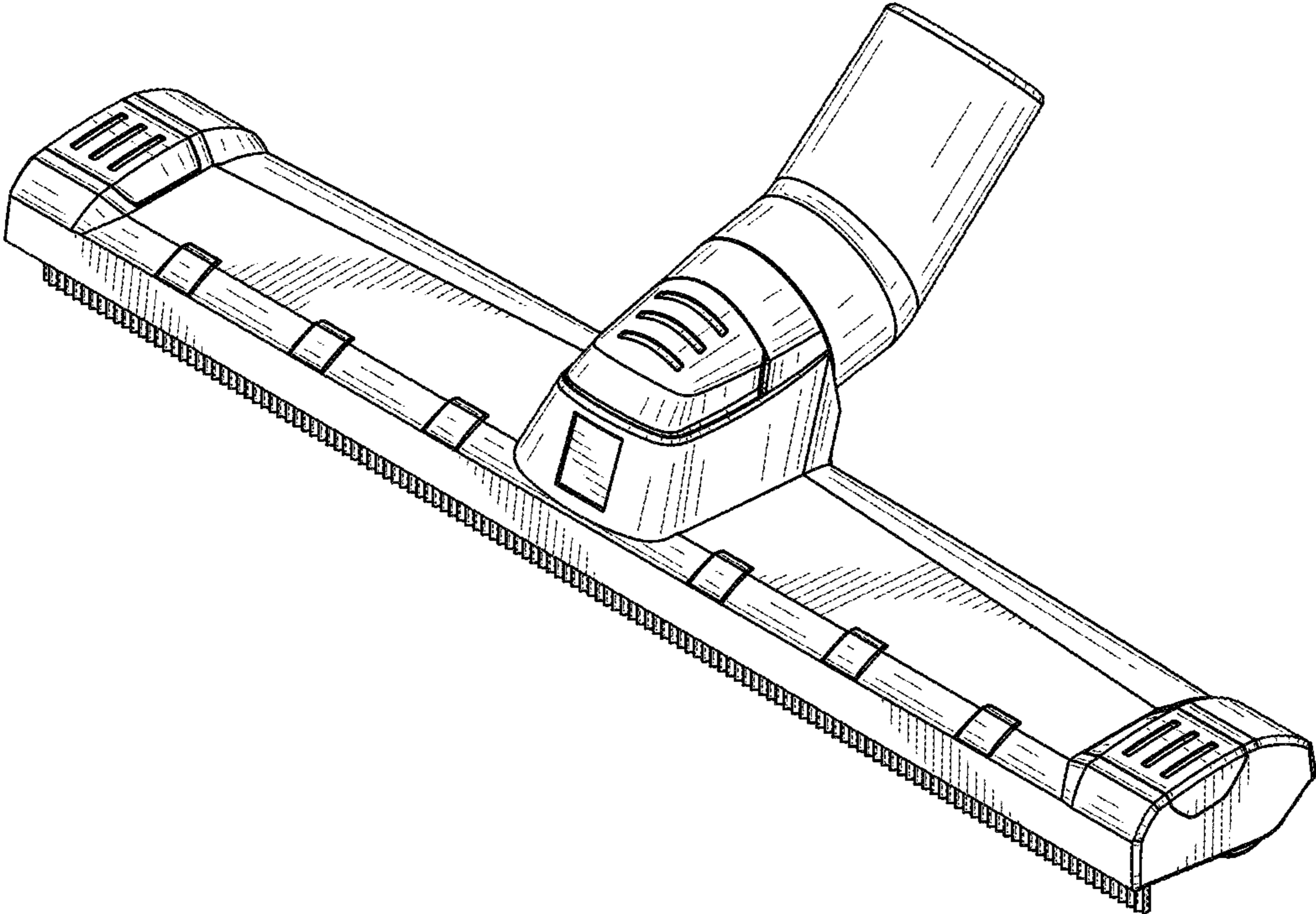
FIG. 6 is a left side elevational view thereof; and,

FIG. 7 is a top plan view thereof.

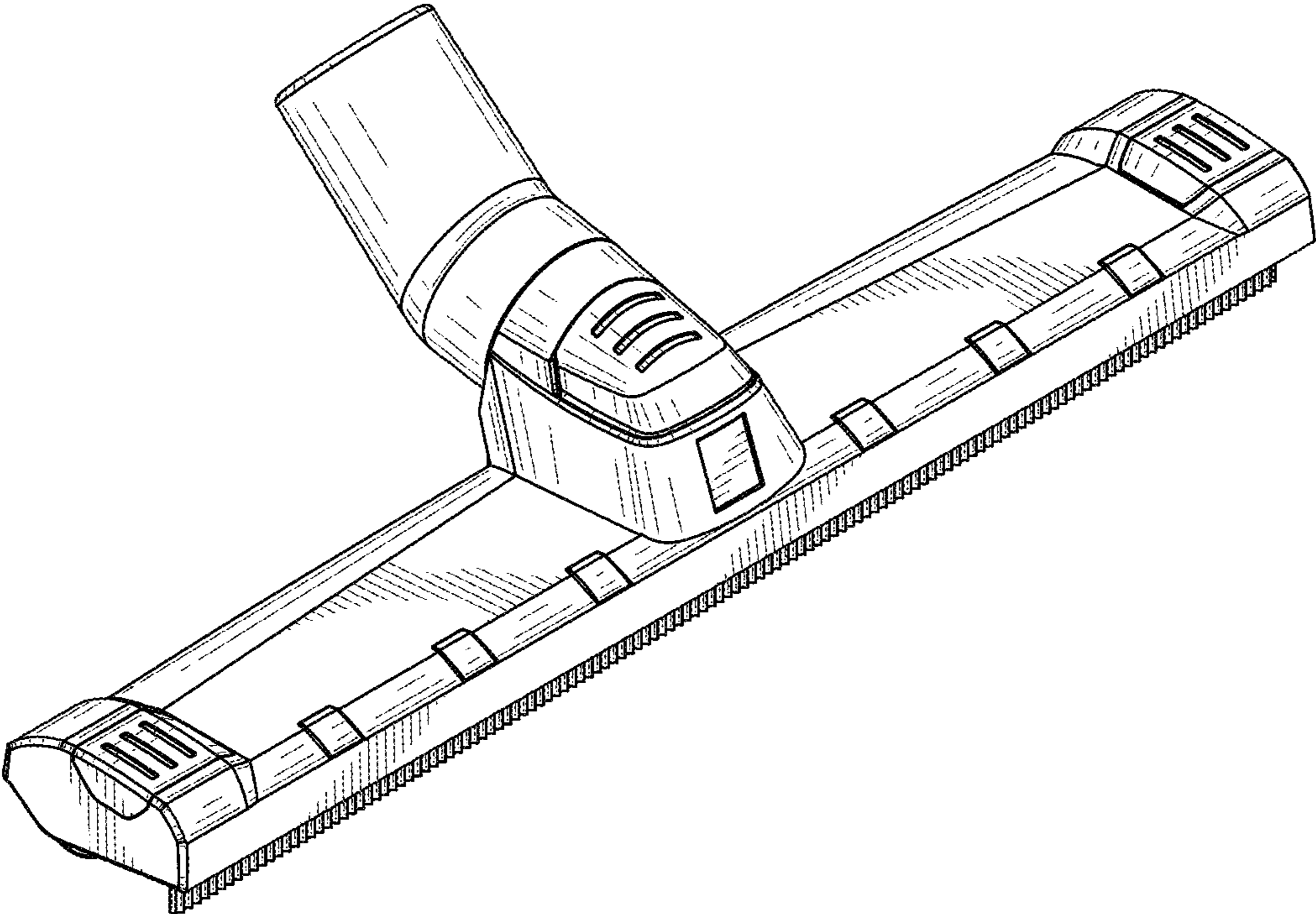
The broken line showing of various elements in FIGS. 5 and 7 forms no part of the claimed design.

**1 Claim, 7 Drawing Sheets**

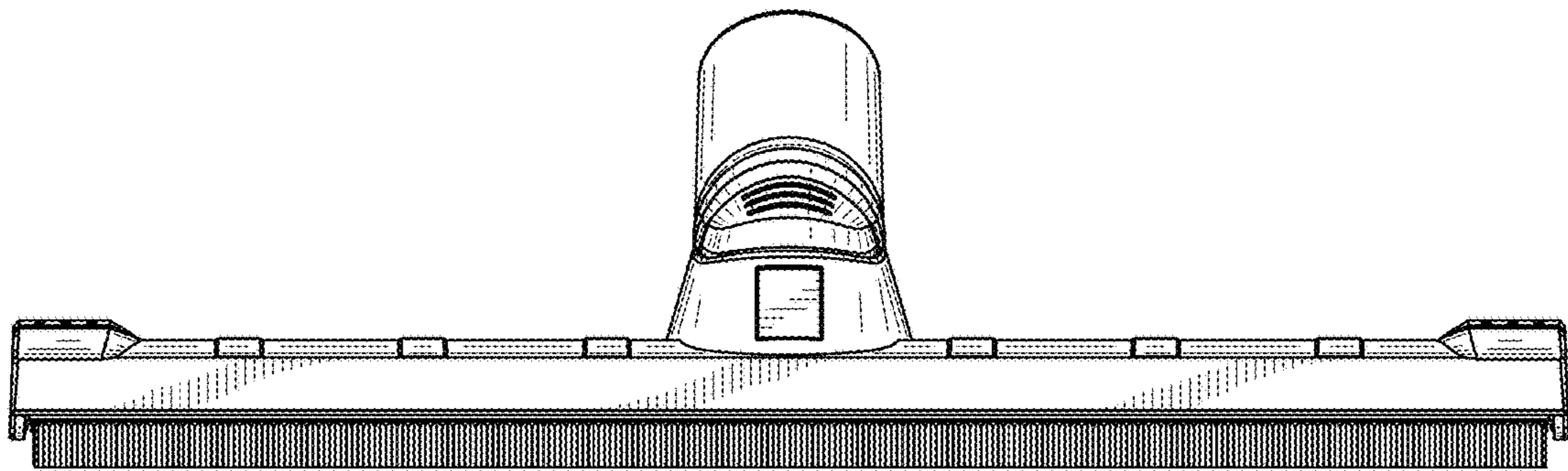




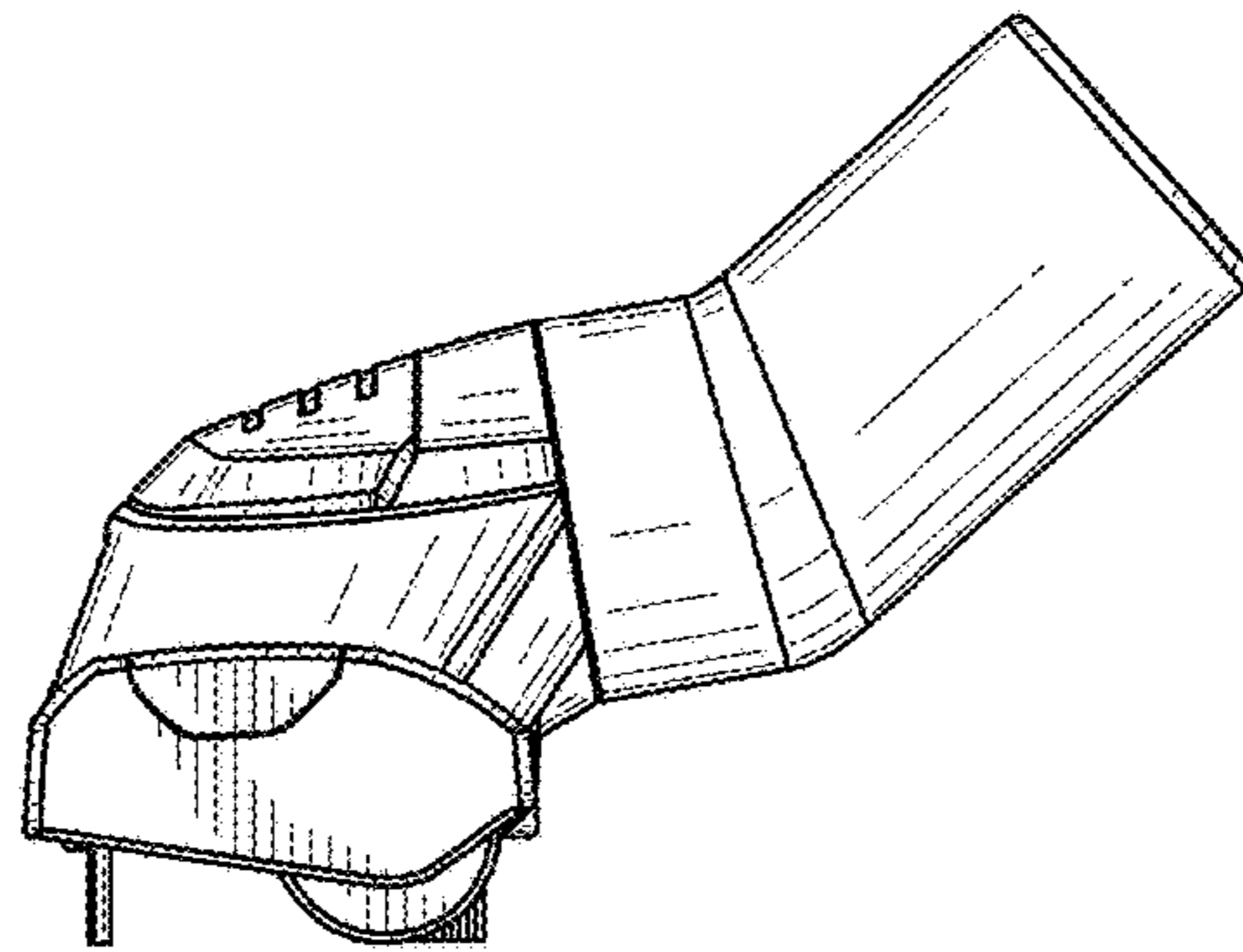
**FIG.1**



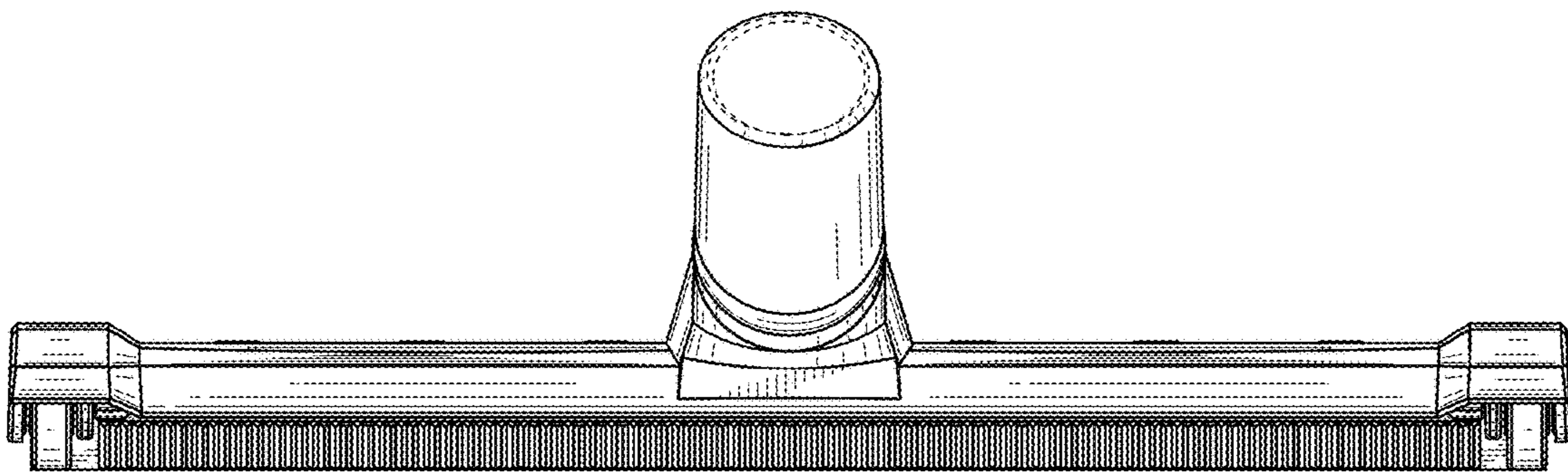
**FIG.2**



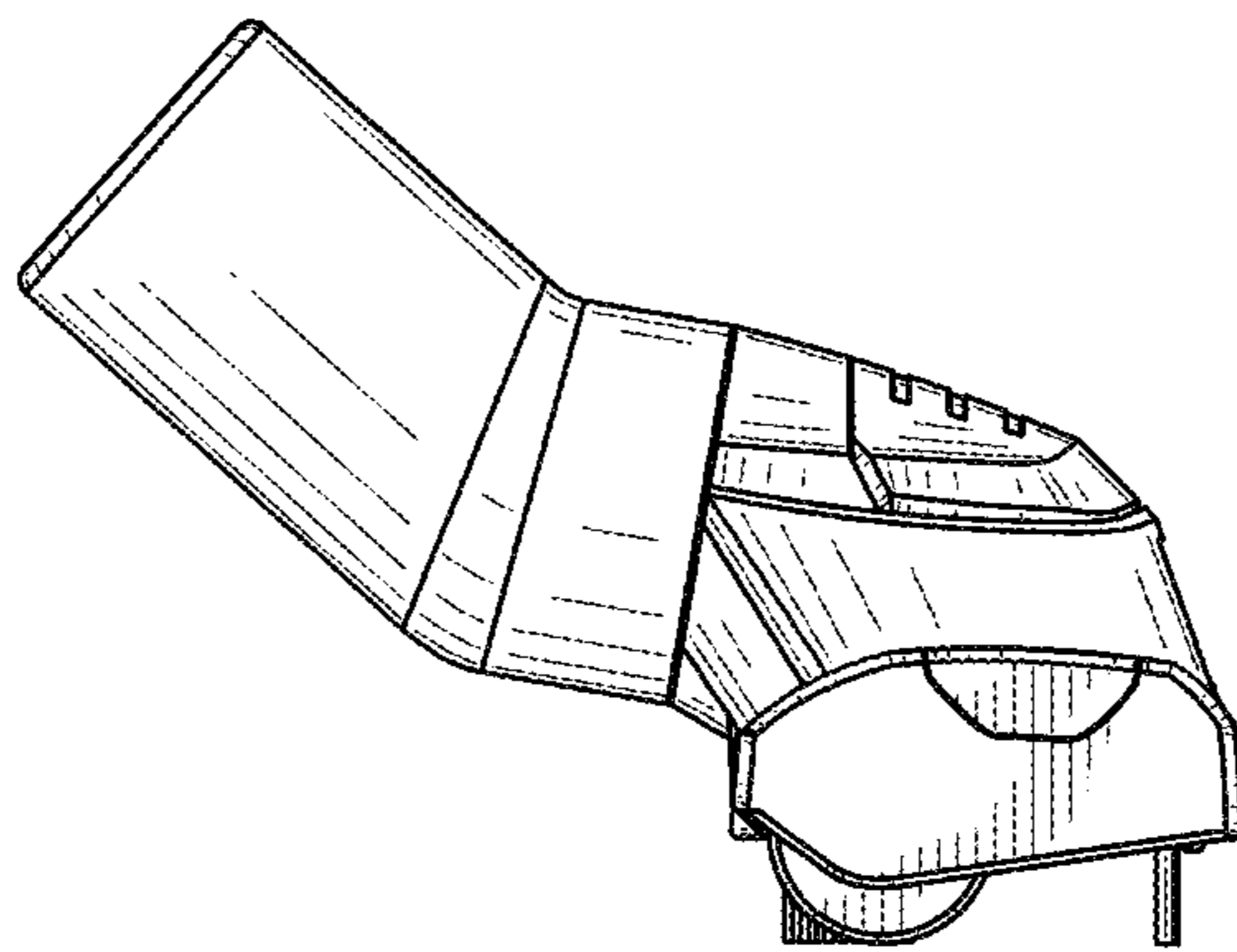
**FIG.3**



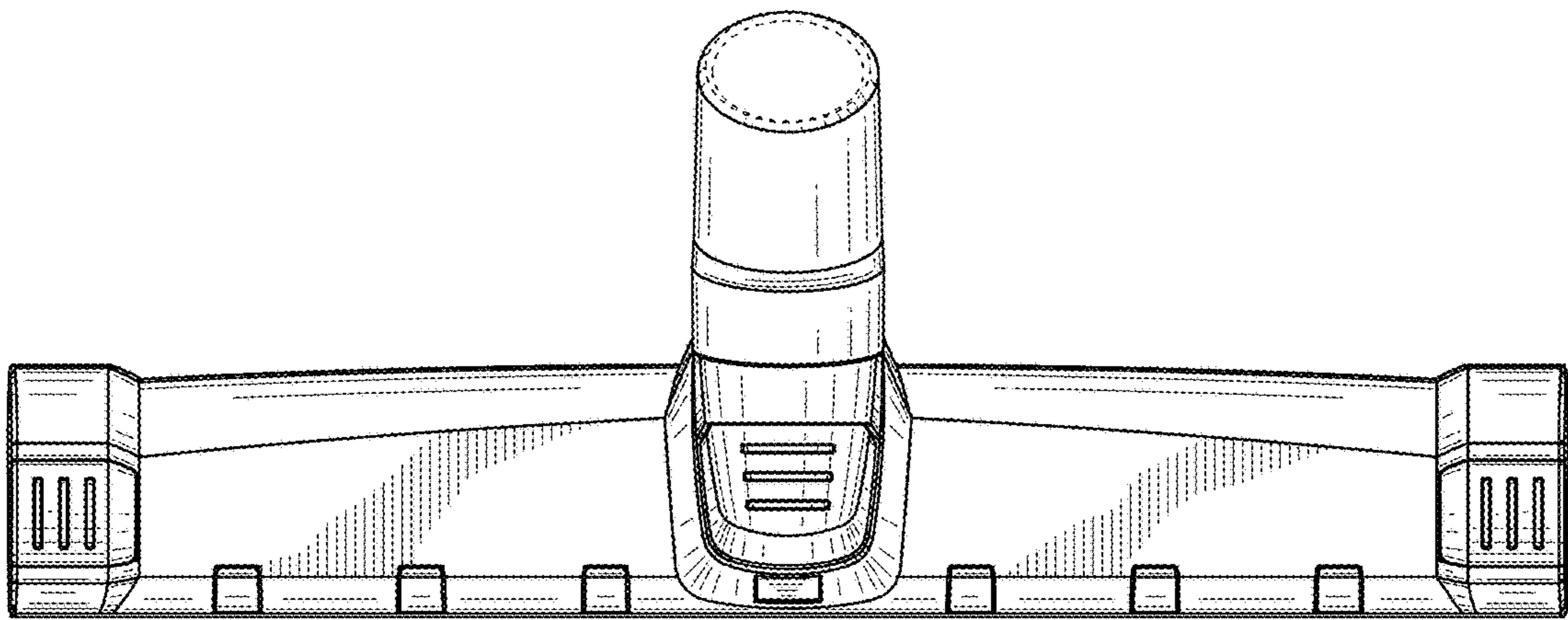
**FIG.4**



**FIG.5**



**FIG.6**



**FIG. 7**