



US00D815379S

(12) **United States Design Patent**
Griffin et al.

(10) **Patent No.:** **US D815,379 S**
(45) **Date of Patent:** **** Apr. 10, 2018**

(54) **VACUUM CLEANER**

(71) Applicant: **SHOP VAC CORPORATION**,
Williamsport, PA (US)

(72) Inventors: **John Griffin**, Phoenix, AZ (US); **Jason Gottschall**, South Williamsport, PA (US); **Craig A. Seasholtz**, Avis, PA (US)

(73) Assignee: **SHOP VAC CORPORATION**,
Williamsport, PA (US)

(**) Term: **15 Years**

(21) Appl. No.: **29/599,185**

(22) Filed: **Mar. 31, 2017**

Related U.S. Application Data

(63) Continuation of application No. 29/577,570, filed on Sep. 14, 2016.

(51) **LOC (11) Cl.** **15-05**

(52) **U.S. Cl.**
USPC **D32/31**

(58) **Field of Classification Search**
USPC D32/17, 21, 23, 24, 31
CPC G06N 3/008; A47L 9/2857; A47L 9/2842;
A47L 5/362; A47L 5/365; A47L 5/36;
A47L 5/28; A47L 7/0038; A47L 11/34;
E04H 4/1654

See application file for complete search history.

(56) **References Cited**

U.S. PATENT DOCUMENTS

D527,504 S * 8/2006 Griffin D32/21
D587,414 S * 2/2009 Griffin D32/31

D631,216 S * 1/2011 Crevling D32/31
D632,444 S * 2/2011 Griffin D32/31
D634,084 S * 3/2011 Griffin D32/31
D672,929 S * 12/2012 Gottschall D32/31
D675,389 S * 1/2013 Seasholtz D32/31
D675,795 S * 2/2013 Jin D32/21
D683,091 S * 5/2013 Griffin D32/23
D713,111 S * 9/2014 Gottschall D32/31

* cited by examiner

Primary Examiner — Ruth McInroy

(74) *Attorney, Agent, or Firm* — Marshall, Gerstein & Borun LLP

(57) **CLAIM**

The ornamental design for a vacuum cleaner, as shown and described.

DESCRIPTION

FIG. 1 is a top, right-side, and front view of a vacuum cleaner, showing the new design.

FIG. 2 is a front elevation view of the vacuum cleaner.

FIG. 3 is a right-side elevation view of the vacuum cleaner.

FIG. 4 is a top plan view of the vacuum cleaner.

FIG. 5 is a left-side elevation view of the vacuum cleaner.

FIG. 6 is a rear elevation view of the vacuum cleaner.

FIG. 7 is a top, right-side and front perspective view thereof, the only difference resides in the broken lines which show a different vacuum cleaner base.

FIG. 8 is a front elevation view of FIG. 7;

FIG. 9 is a right-side elevation view of FIG. 7;

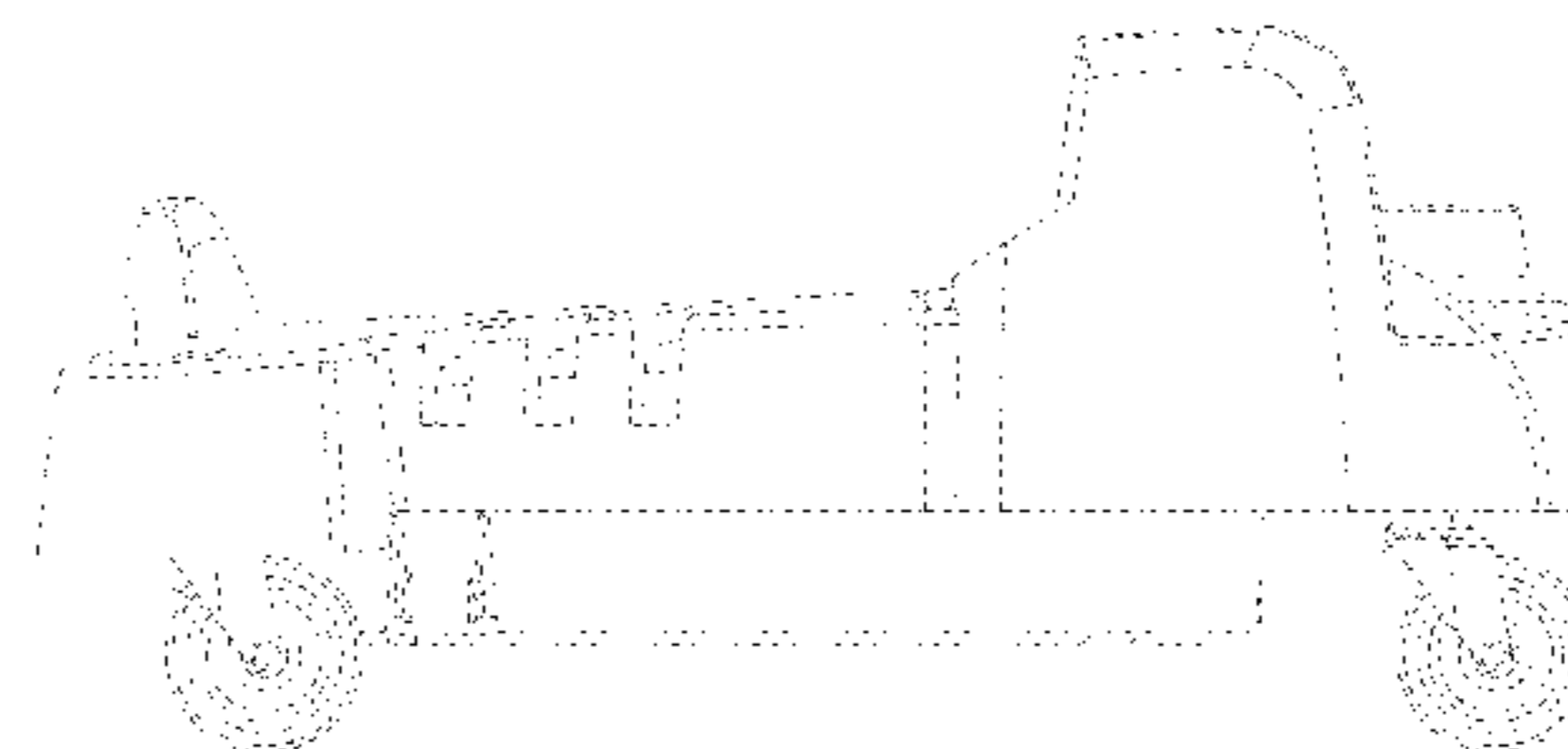
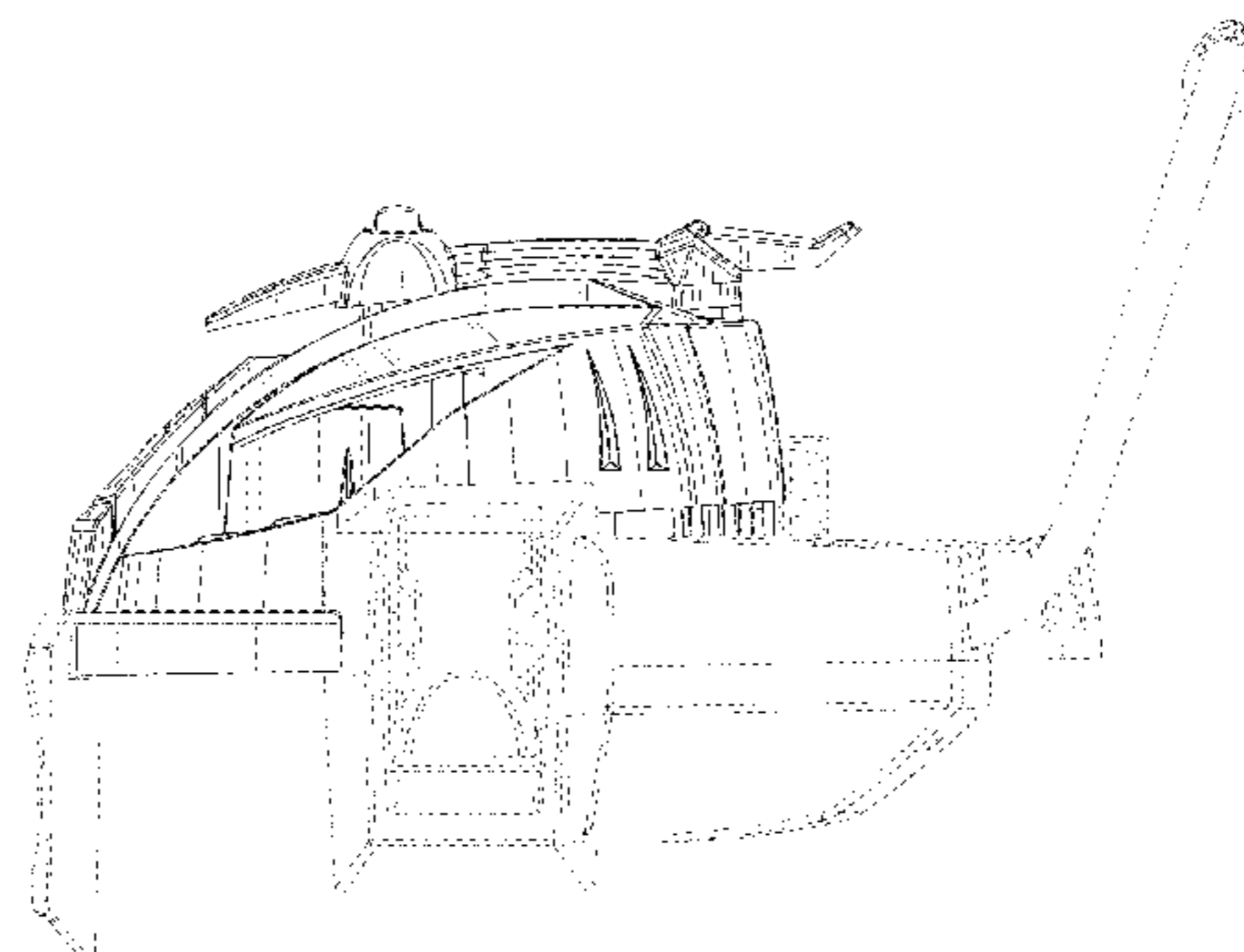
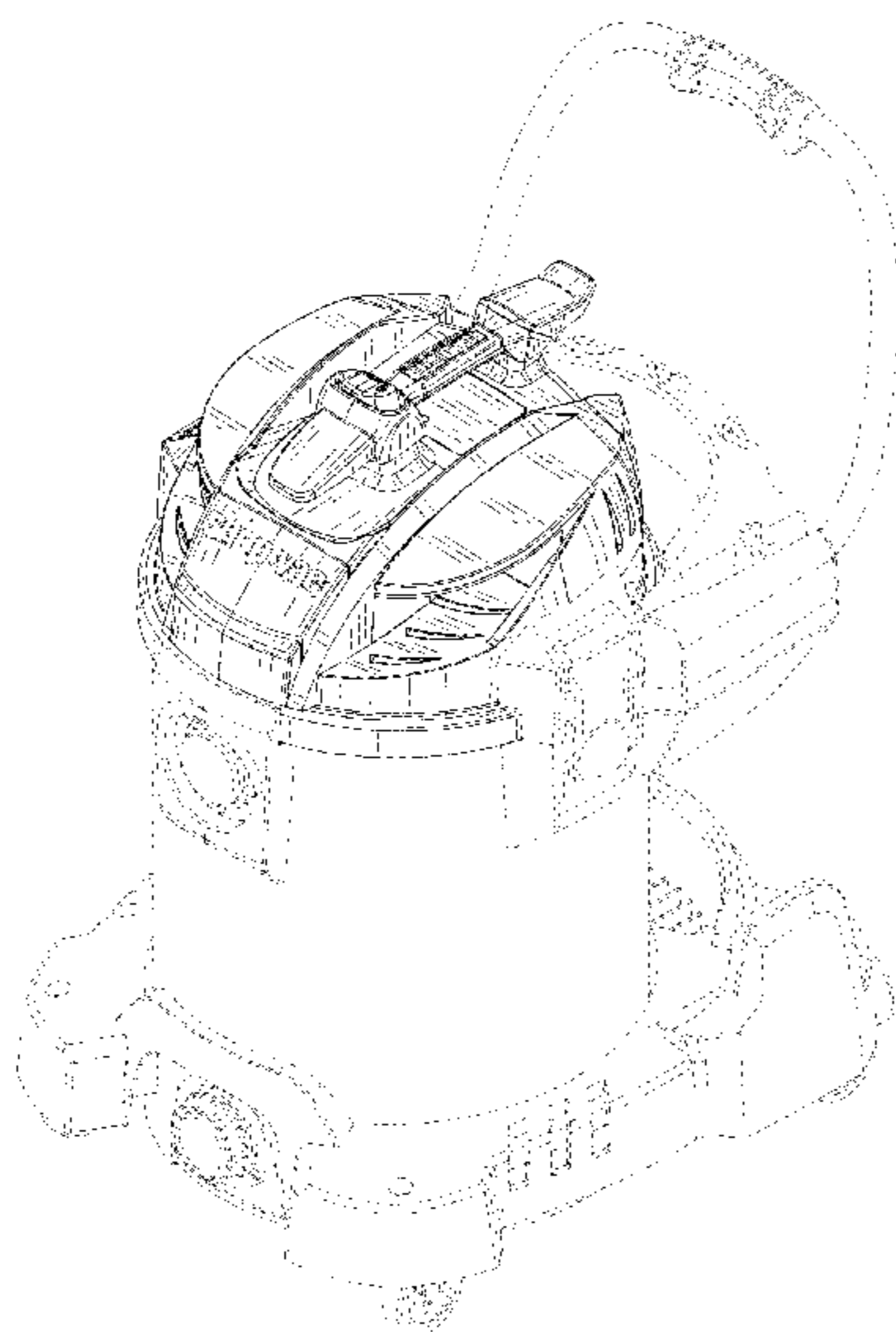
FIG. 10 is a top plan view of FIG. 7;

FIG. 11 is a left-side elevation view of FIG. 7; and,

FIG. 12 is a rear elevation view of FIG. 7.

The vacuum cleaner shown in broken lines forms no part of the claimed design.

1 Claim, 12 Drawing Sheets



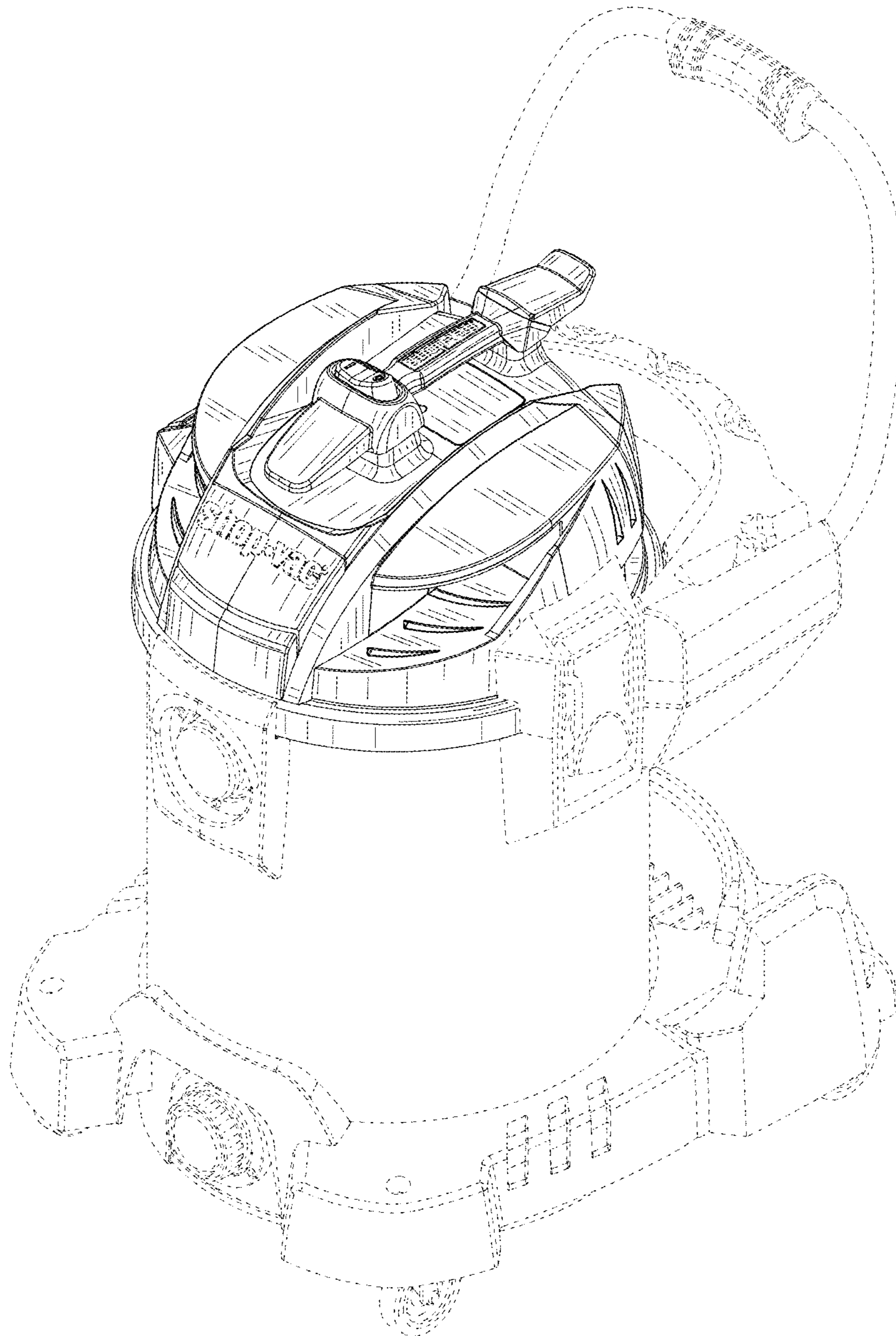


FIG. 1

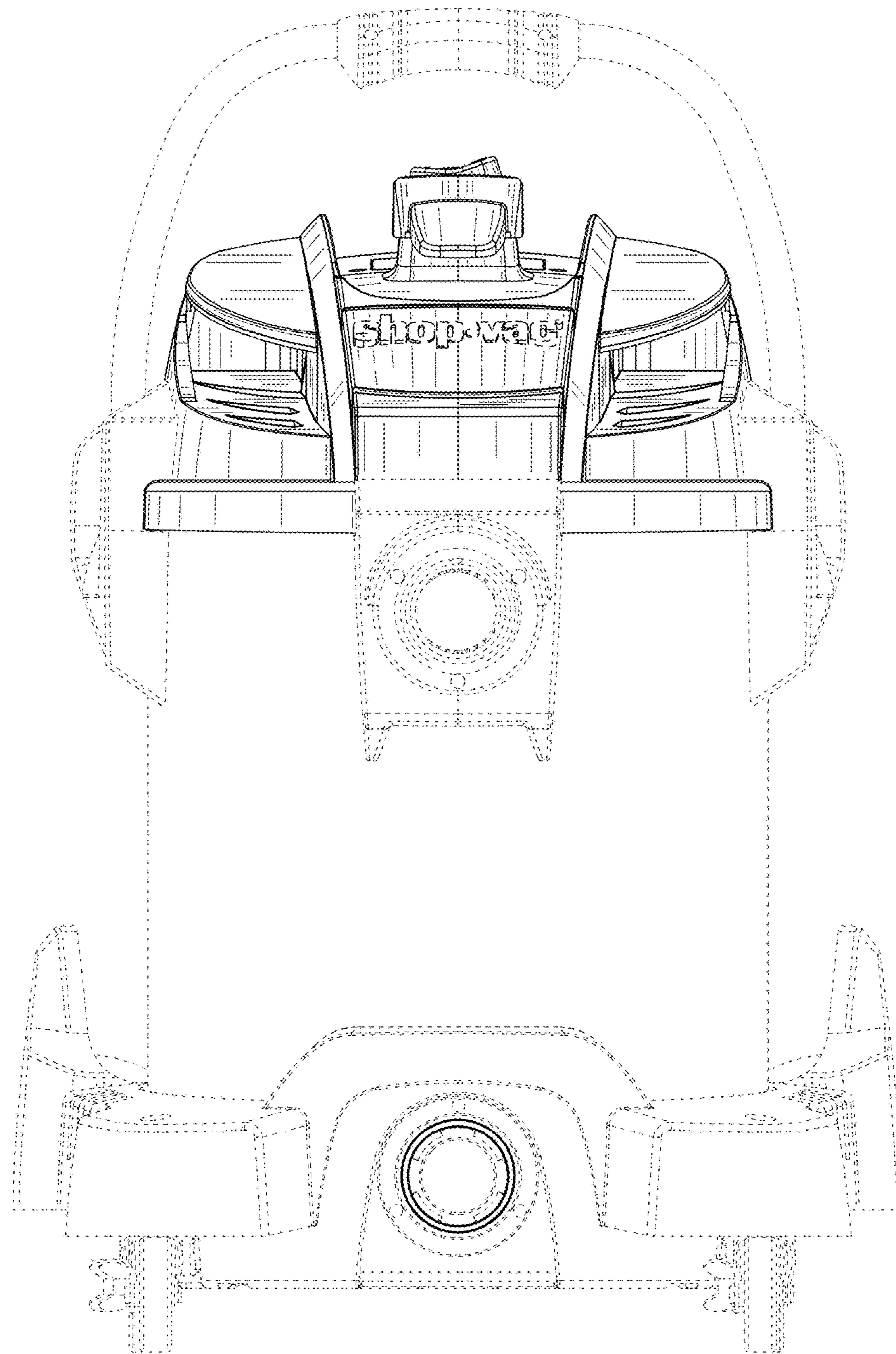


FIG. 2

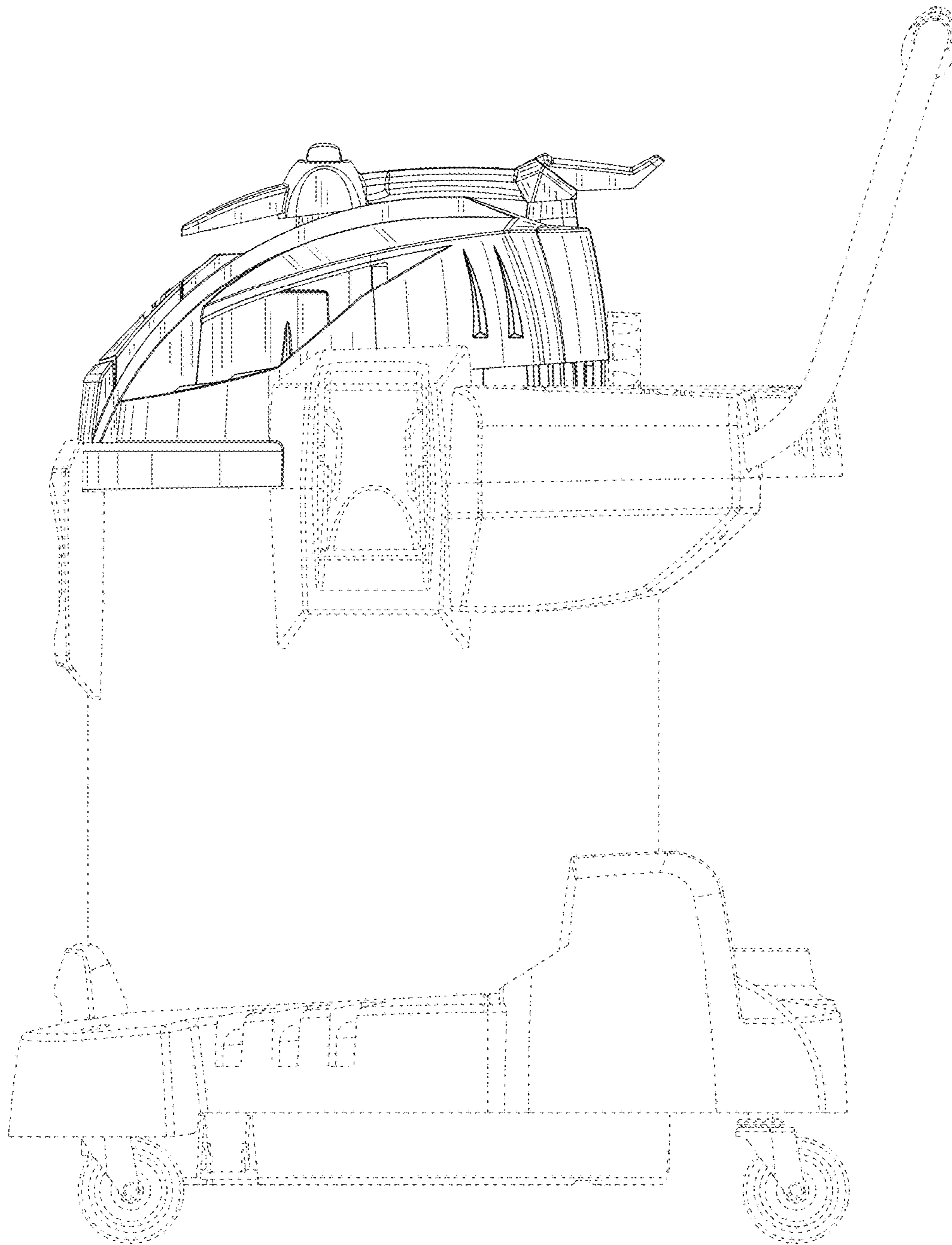


FIG. 3

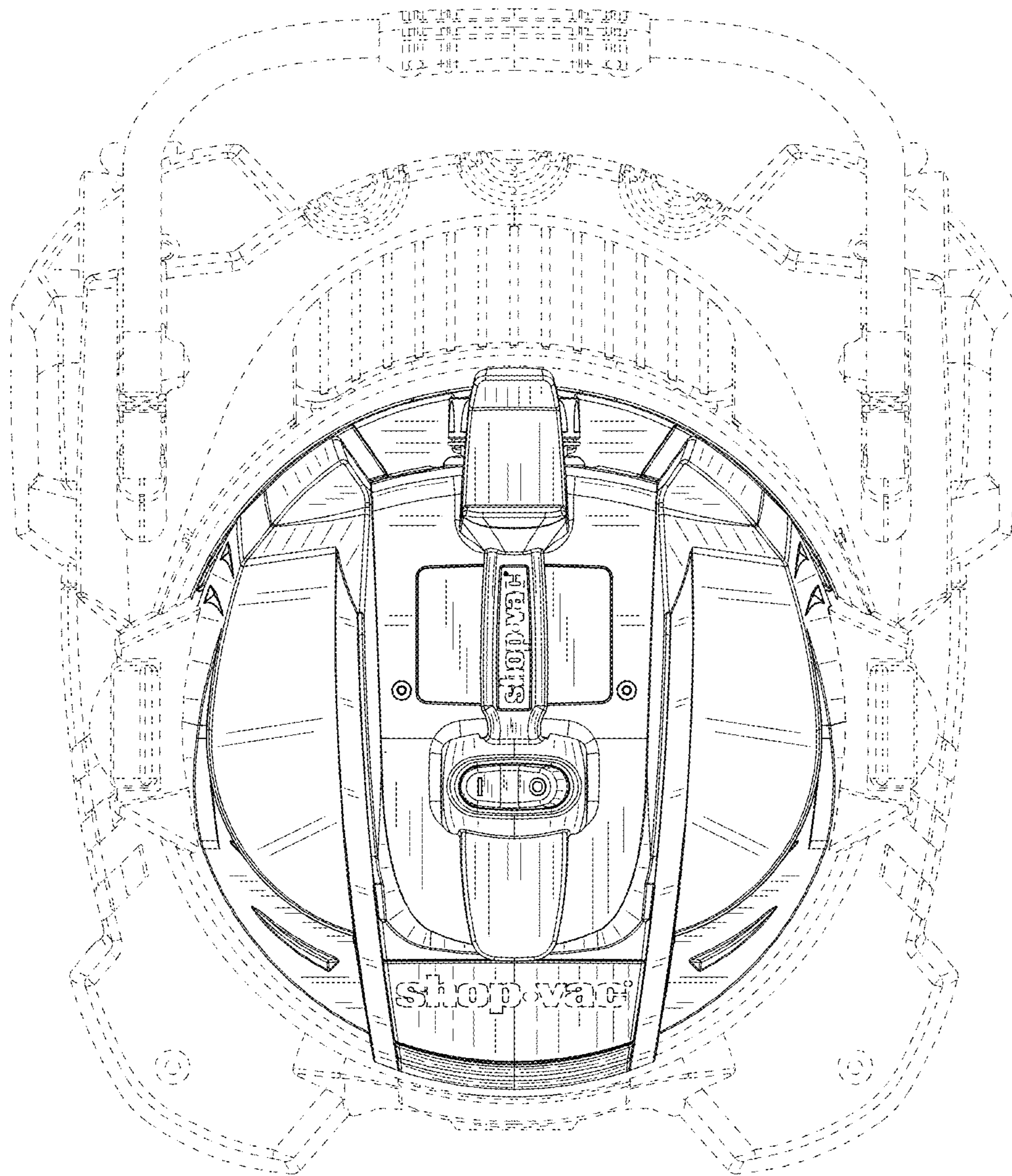


FIG. 4

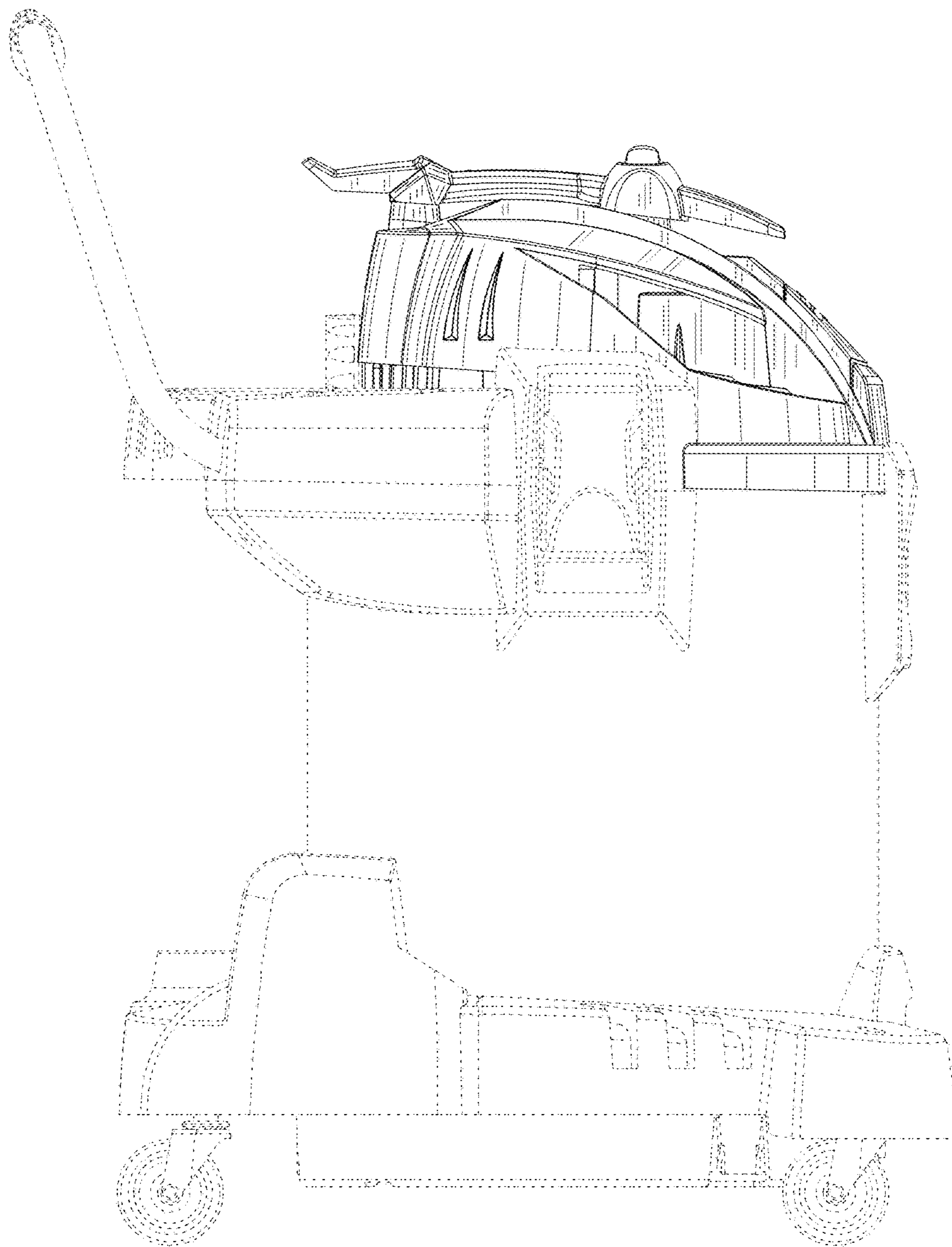


FIG. 5

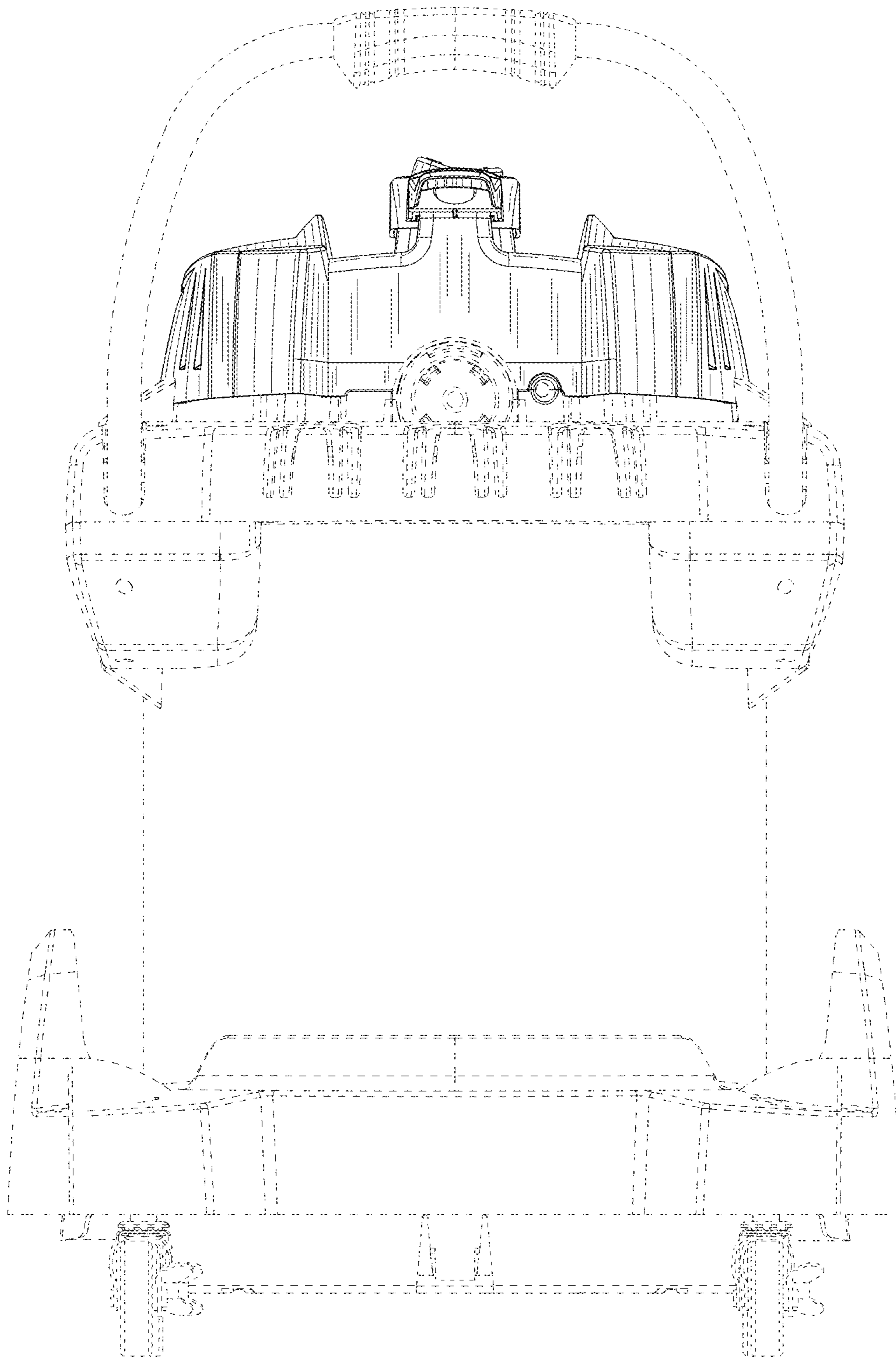


FIG. 6

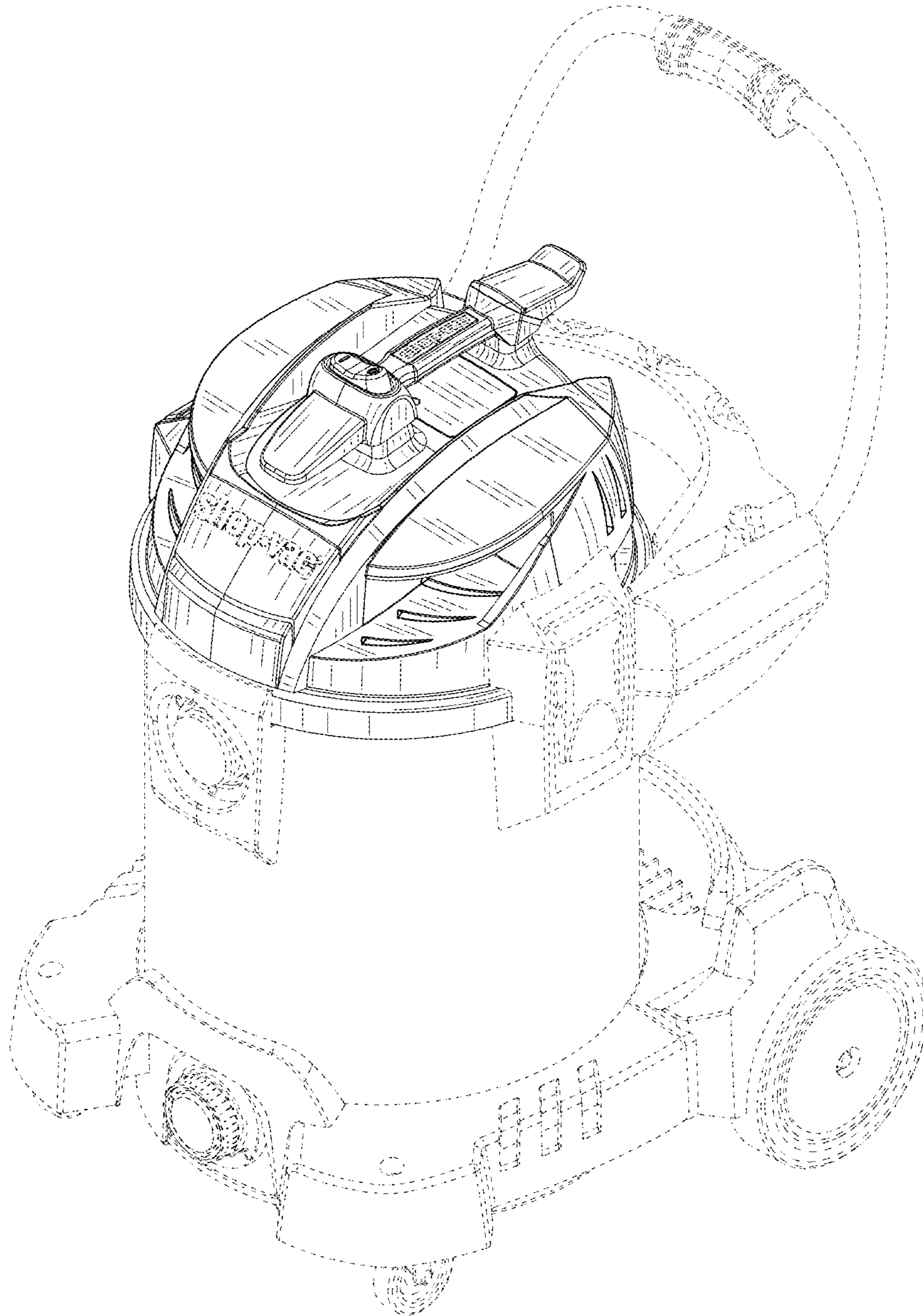


FIG. 7

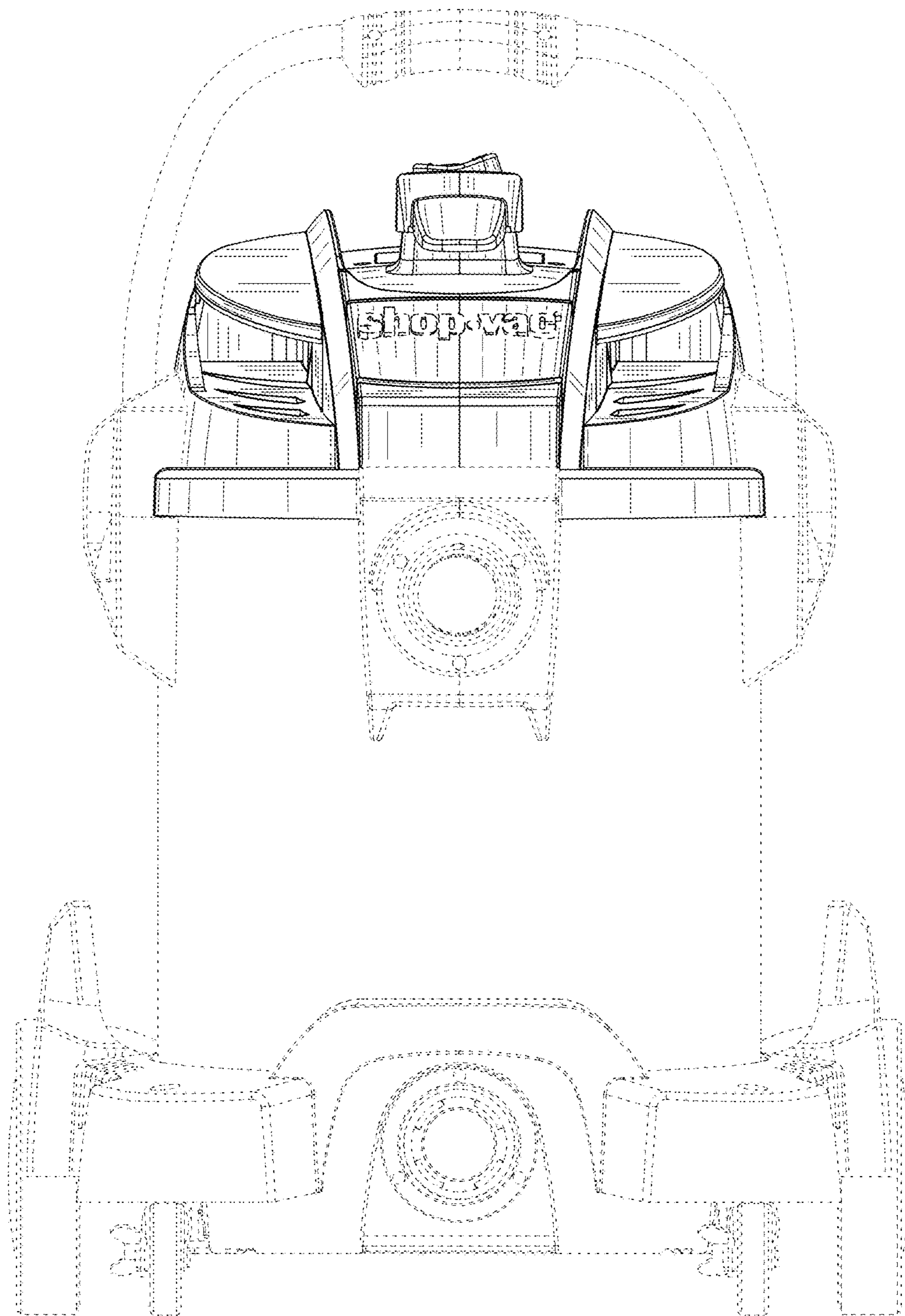


FIG. 8

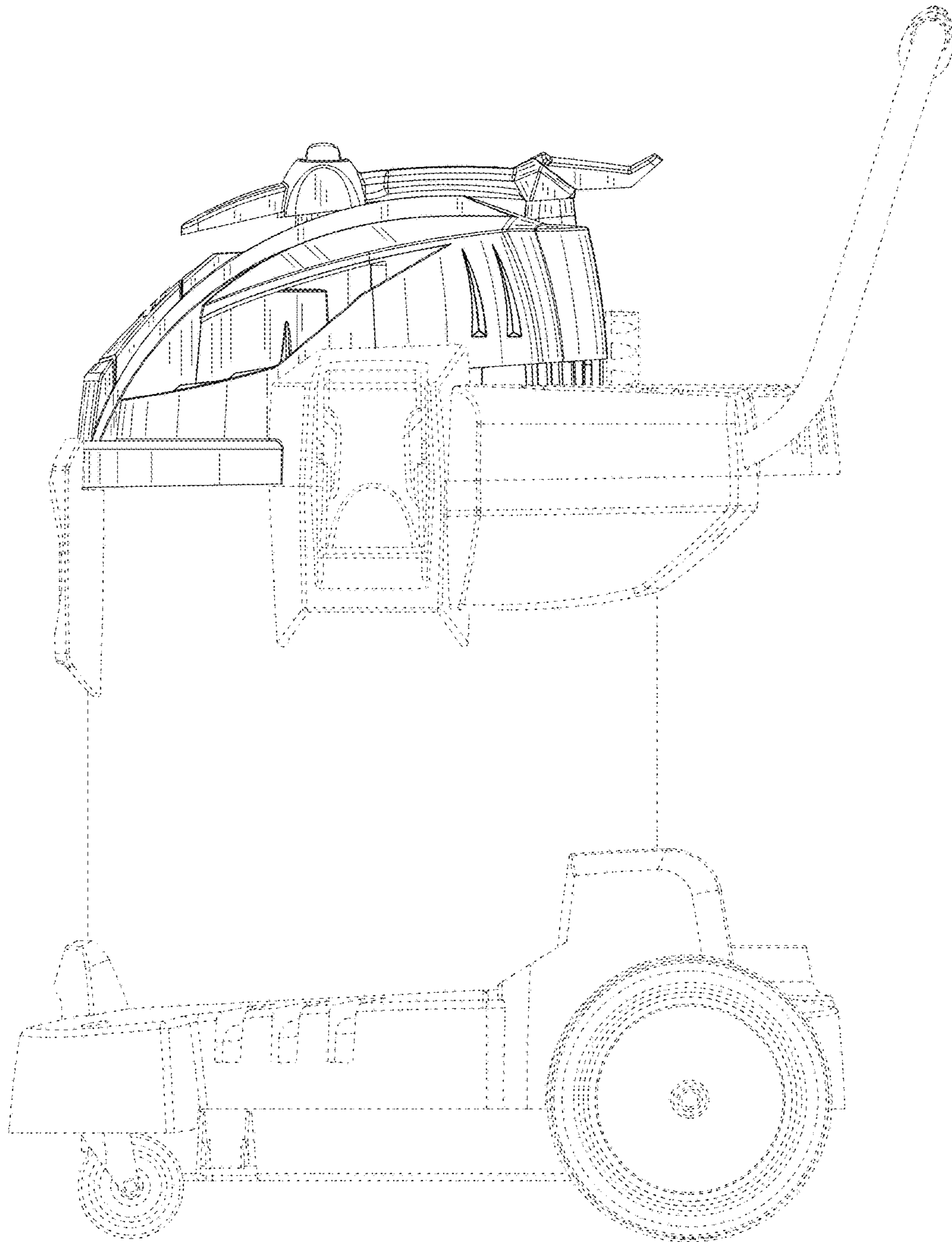


FIG. 9

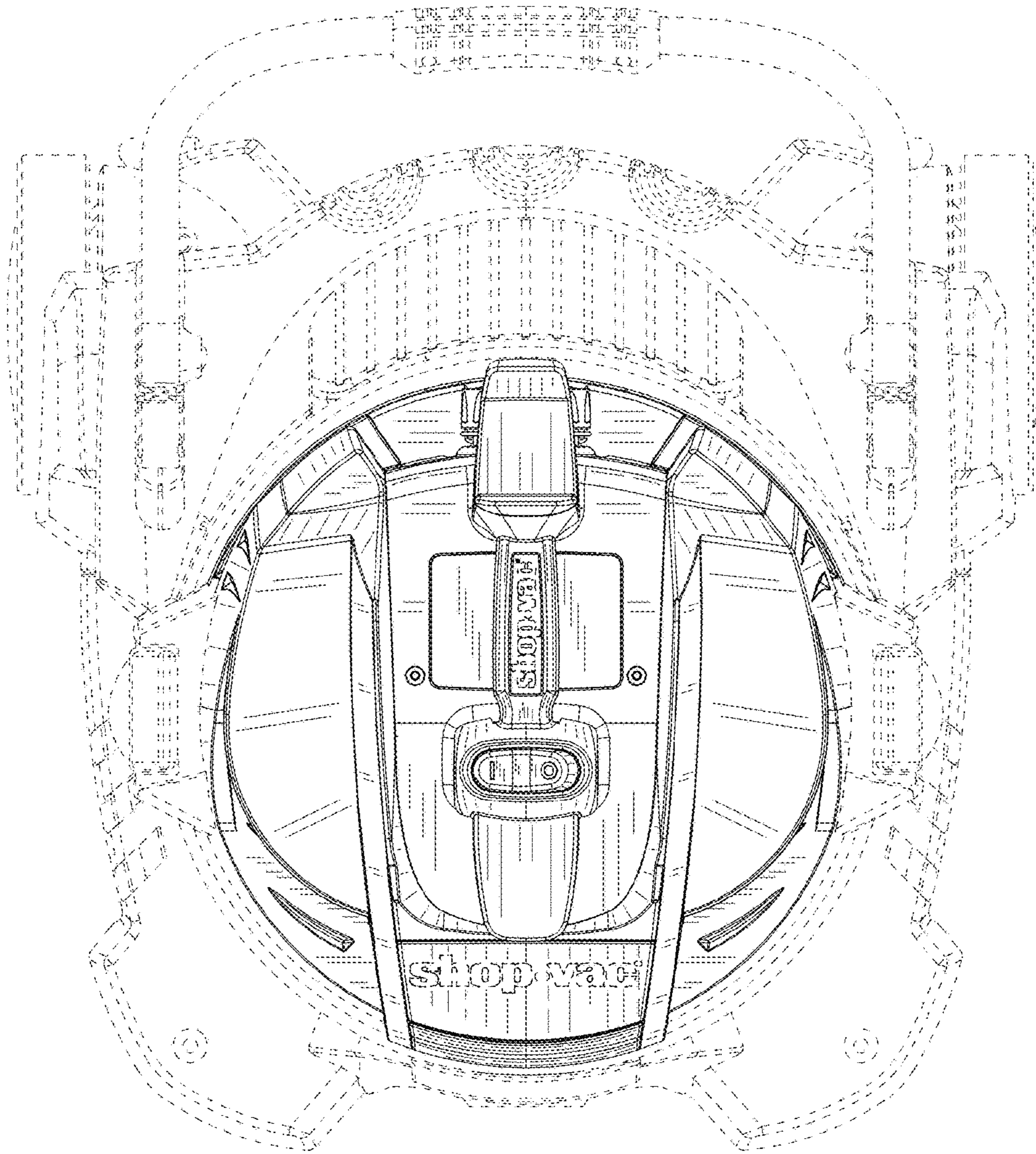


FIG. 10

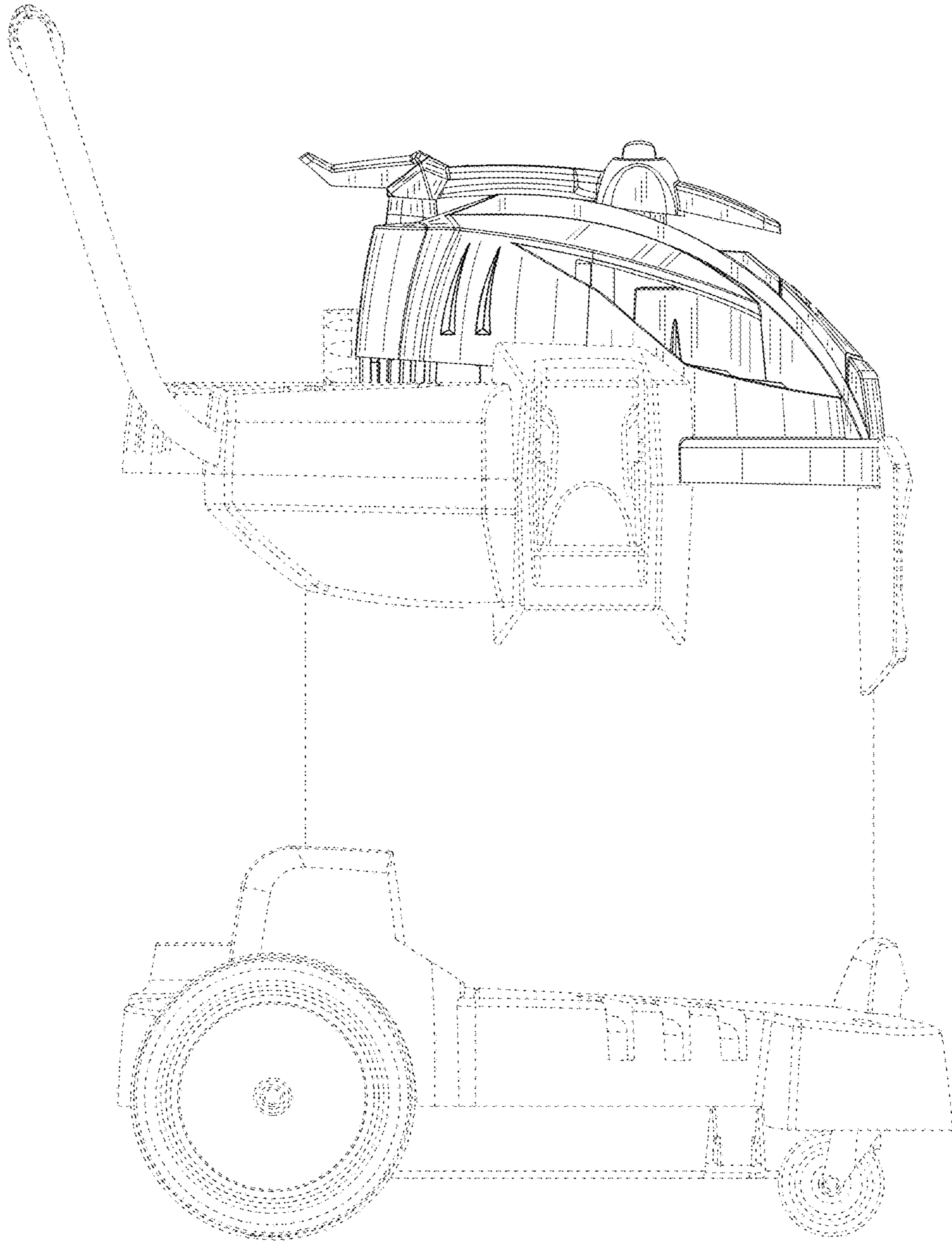


FIG. 11

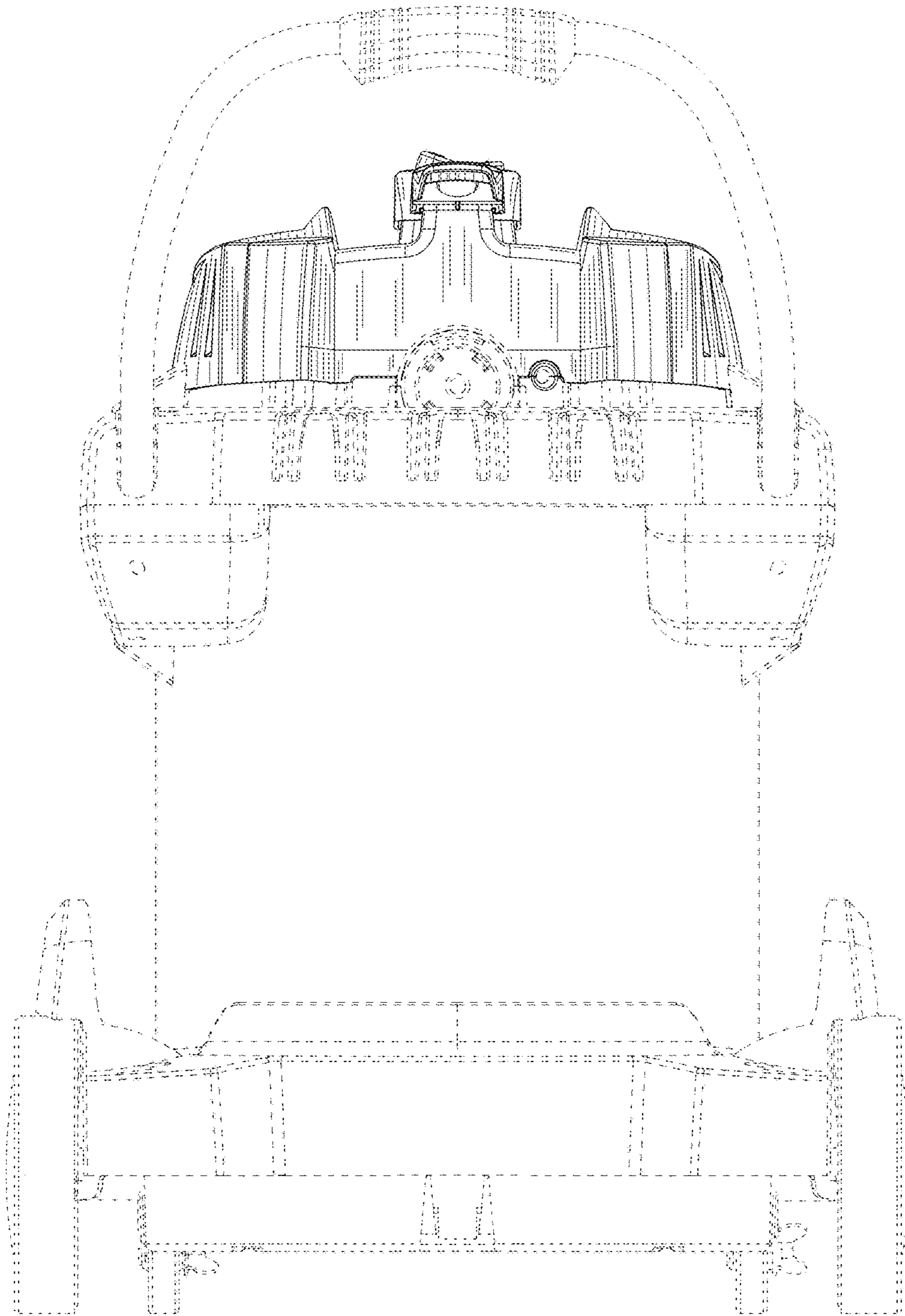


FIG. 12