



US00D815377S

(12) **United States Design Patent**
Mukai

(10) **Patent No.:** **US D815,377 S**
(45) **Date of Patent:** **** Apr. 10, 2018**

- (54) **BLOWER NOZZLE ATTACHMENT**
- (71) Applicant: **MARUYAMA MFG. CO., INC.**,
Chiyoda-ku, Tokyo (JP)
- (72) Inventor: **Hirofumi Mukai**, Tokyo (JP)
- (73) Assignee: **MARUYAMA MFG. CO., INC.**,
Chiyoda-ku, Tokyo (JP)
- (**) Term: **15 Years**
- (21) Appl. No.: **29/590,628**
- (22) Filed: **Jan. 12, 2017**
- (51) **LOC (11) Cl.** **15-05**
- (52) **U.S. Cl.**
USPC **D32/31**
- (58) **Field of Classification Search**
USPC D32/17, 31-33, 25
CPC ... A47L 9/02; A47L 9/242; A47L 9/24; A47L
9/06; A47L 11/4044; A47L 5/34; A47L
5/362; A47L 5/36; A47L 5/14
See application file for complete search history.

(56) **References Cited**

U.S. PATENT DOCUMENTS

- D267,506 S * 1/1983 Evans D23/262
- D375,822 S * 11/1996 Lessig, III D32/15
- 5,768,749 A * 6/1998 Ohi A47L 5/14
15/328
- 5,950,276 A * 9/1999 Everts A47L 5/14
15/339
- 6,003,199 A * 12/1999 Shaffer A47L 5/14
15/405
- 6,158,082 A * 12/2000 Beckey A01G 1/125
15/326
- D532,947 S * 11/2006 Muscarella D32/31
- D545,512 S * 6/2007 Genoa D32/31

- D565,707 S * 4/2008 Brockington D23/262
- D597,715 S * 8/2009 Barker D32/31
- D610,760 S * 2/2010 Zugen D32/31
- D701,010 S * 3/2014 Tate D32/32
- D723,231 S * 2/2015 Jang D32/32
- D735,428 S * 7/2015 Shaffer D32/25
- D784,643 S * 4/2017 Webster D32/31
- D785,264 S * 4/2017 Webster D32/31
- D792,670 S * 7/2017 Lambert D32/31
- D798,515 S * 9/2017 Moriya D32/25

* cited by examiner

Primary Examiner — Ruth McInroy

(74) *Attorney, Agent, or Firm* — Leydig Voit & Mayer

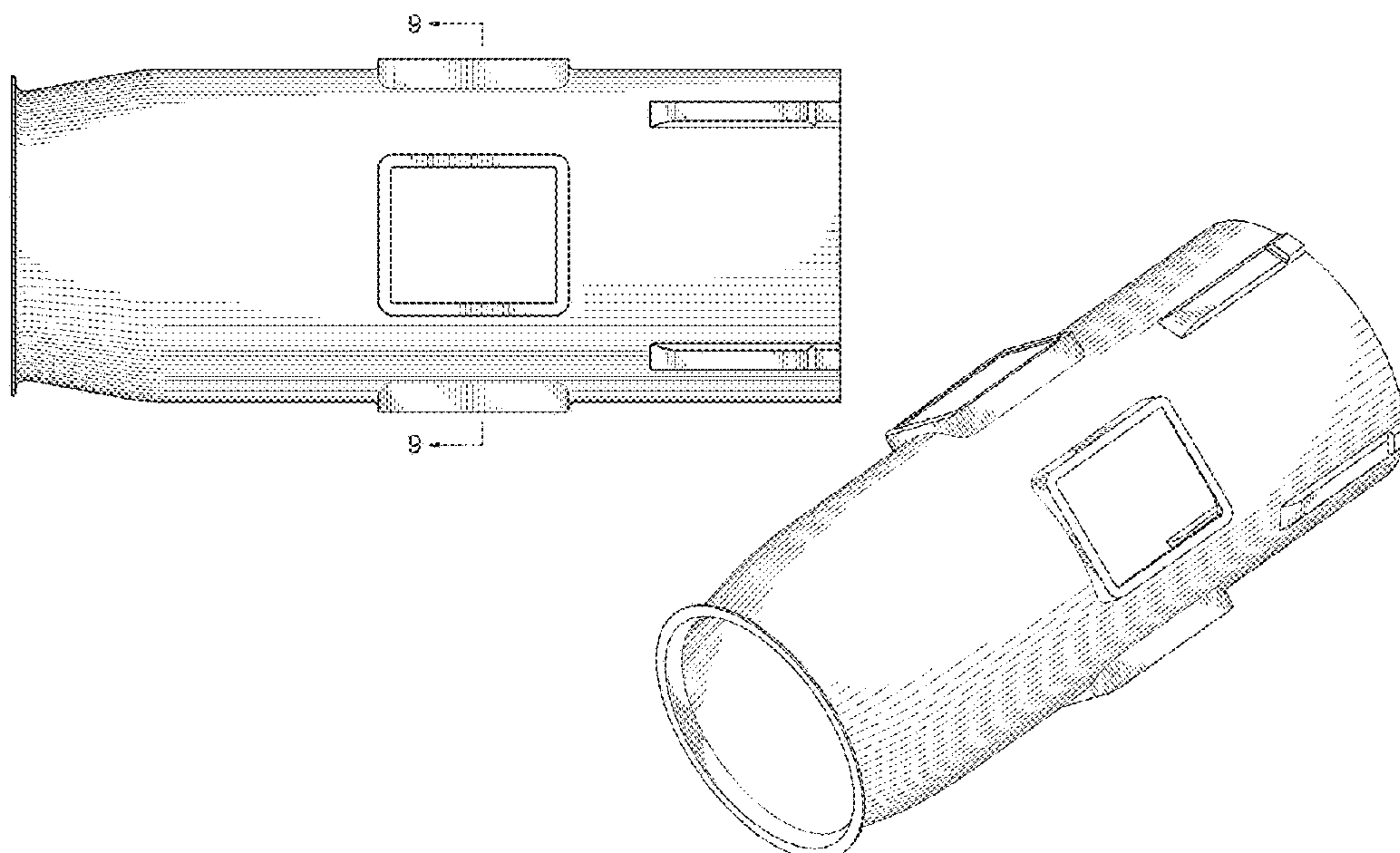
(57) **CLAIM**

The ornamental design for a blower nozzle attachment, as shown and described.

DESCRIPTION

FIG. 1 is a front view of a blower nozzle attachment showing my new design;
 FIG. 2 is a rear view thereof.
 FIG. 3 is a top plan view thereof.
 FIG. 4 is a bottom view thereof.
 FIG. 5 is a right side view thereof.
 FIG. 6 is a left side view thereof.
 FIG. 7 is a perspective view from left side thereof.
 FIG. 8 is a perspective view from right side thereof.
 FIG. 9 is a sectional view taken along lines 9-9 in FIG. 1;
 FIG. 10 is a sectional view taken along lines 10-10 in FIG. 5; and,
 FIG. 11 is a perspective view thereof showing the blower nozzle attachment in use.
 The features shown in broken lines in FIG. 11 depict environmental subject matter only and form no part of the claimed design.

1 Claim, 11 Drawing Sheets



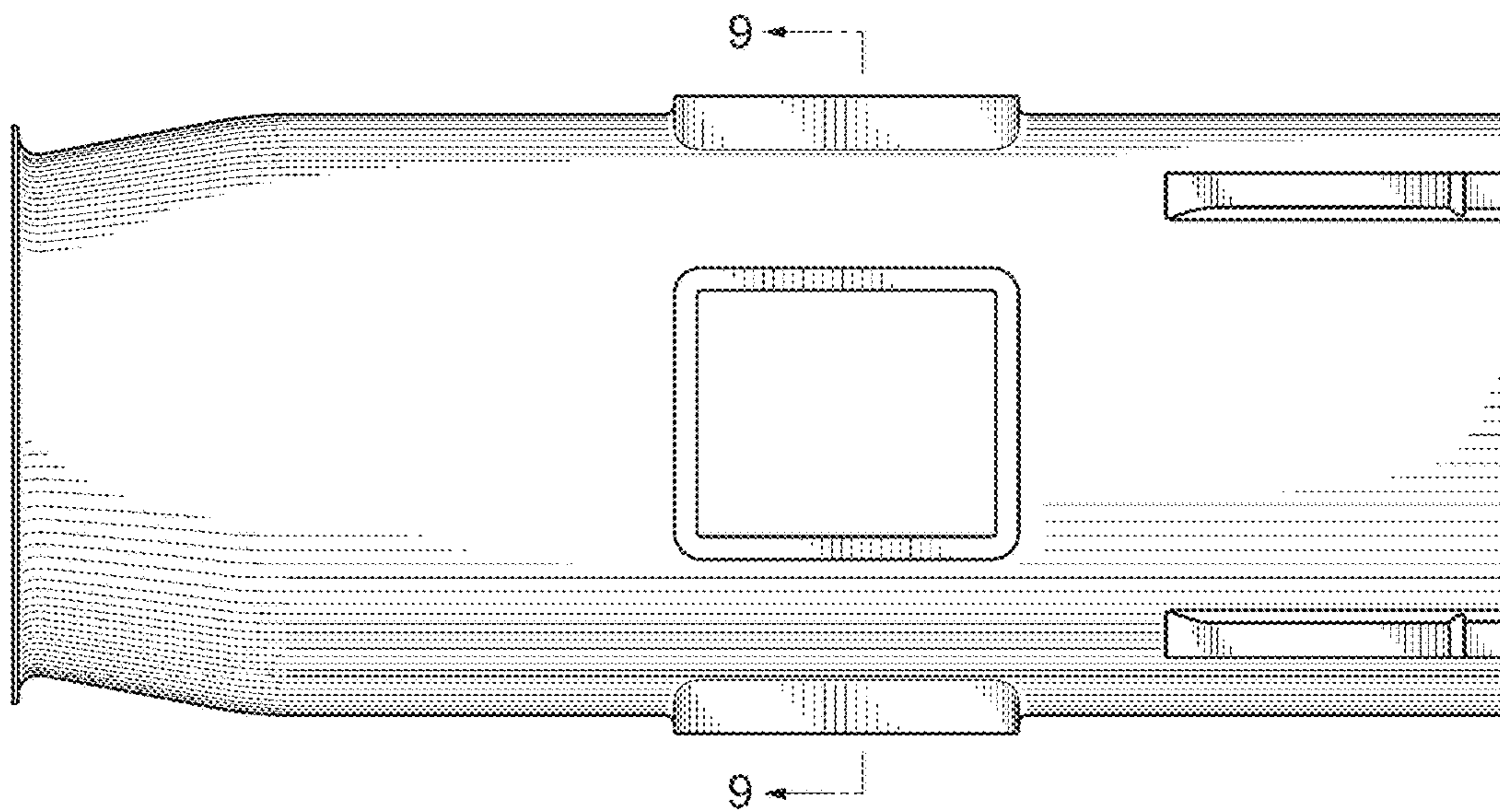


FIG. 1

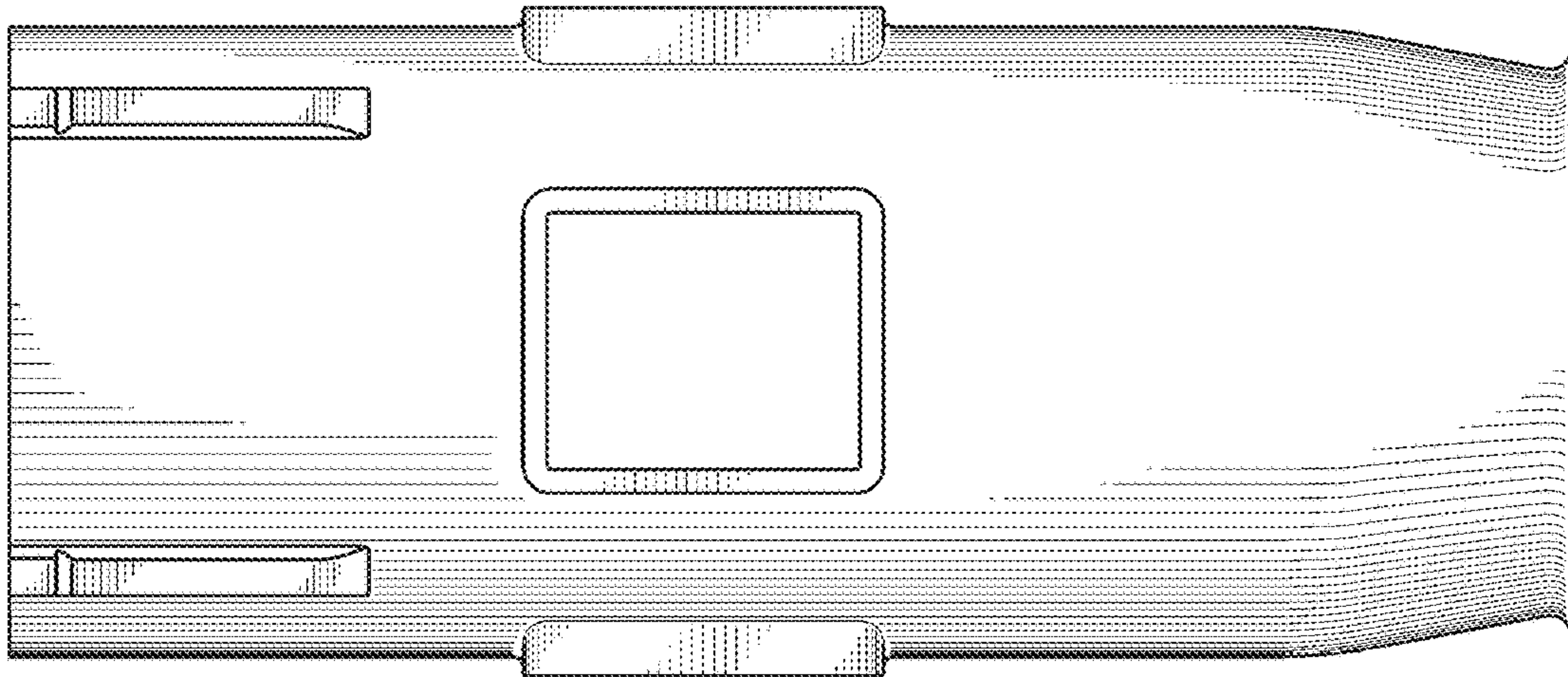


FIG. 2

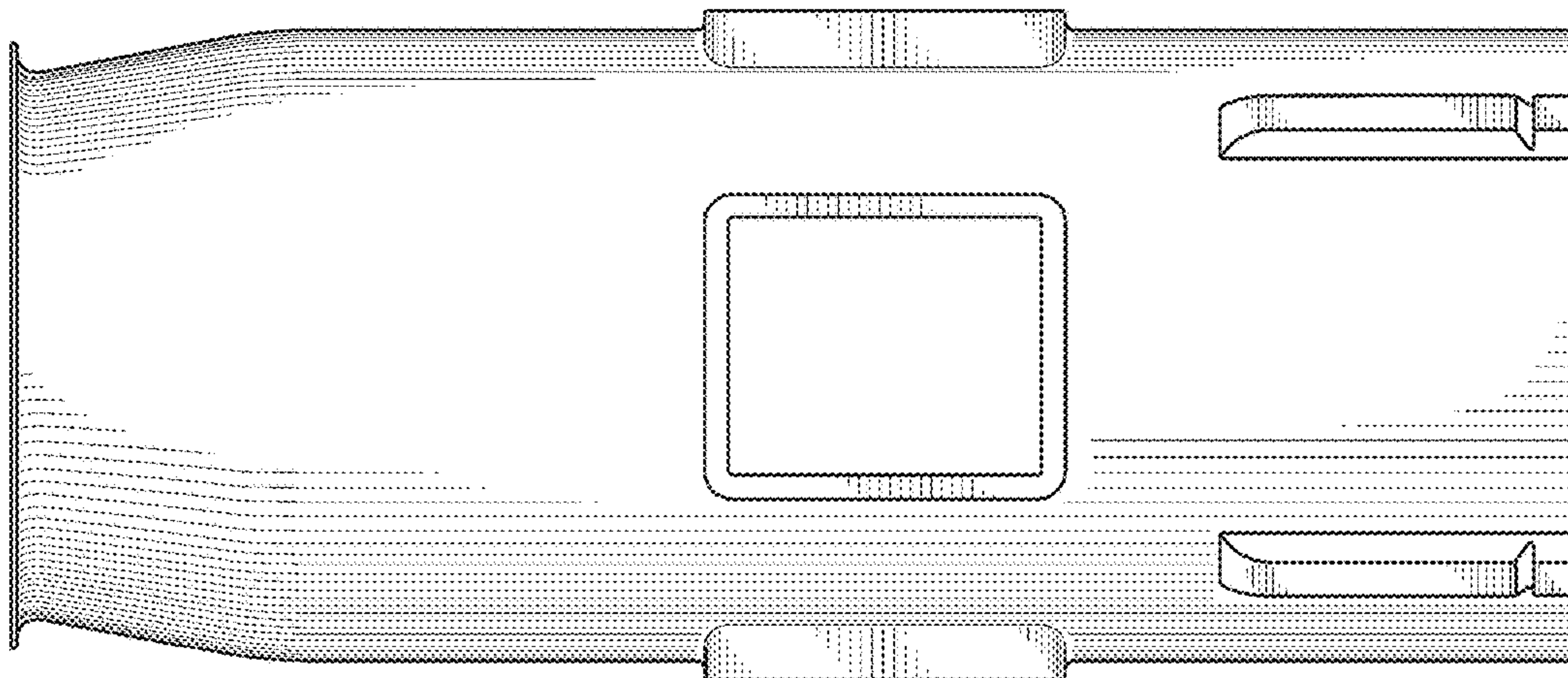


FIG. 3

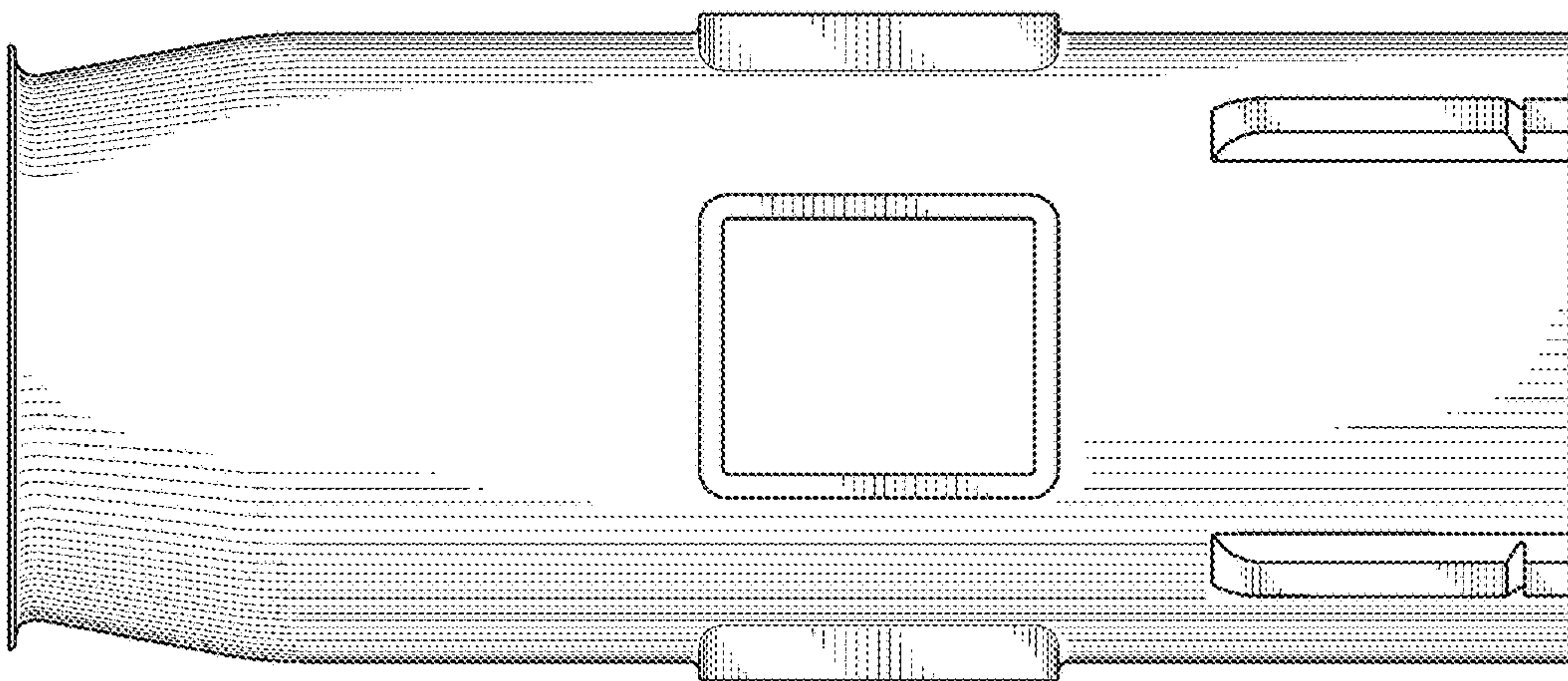


FIG. 4

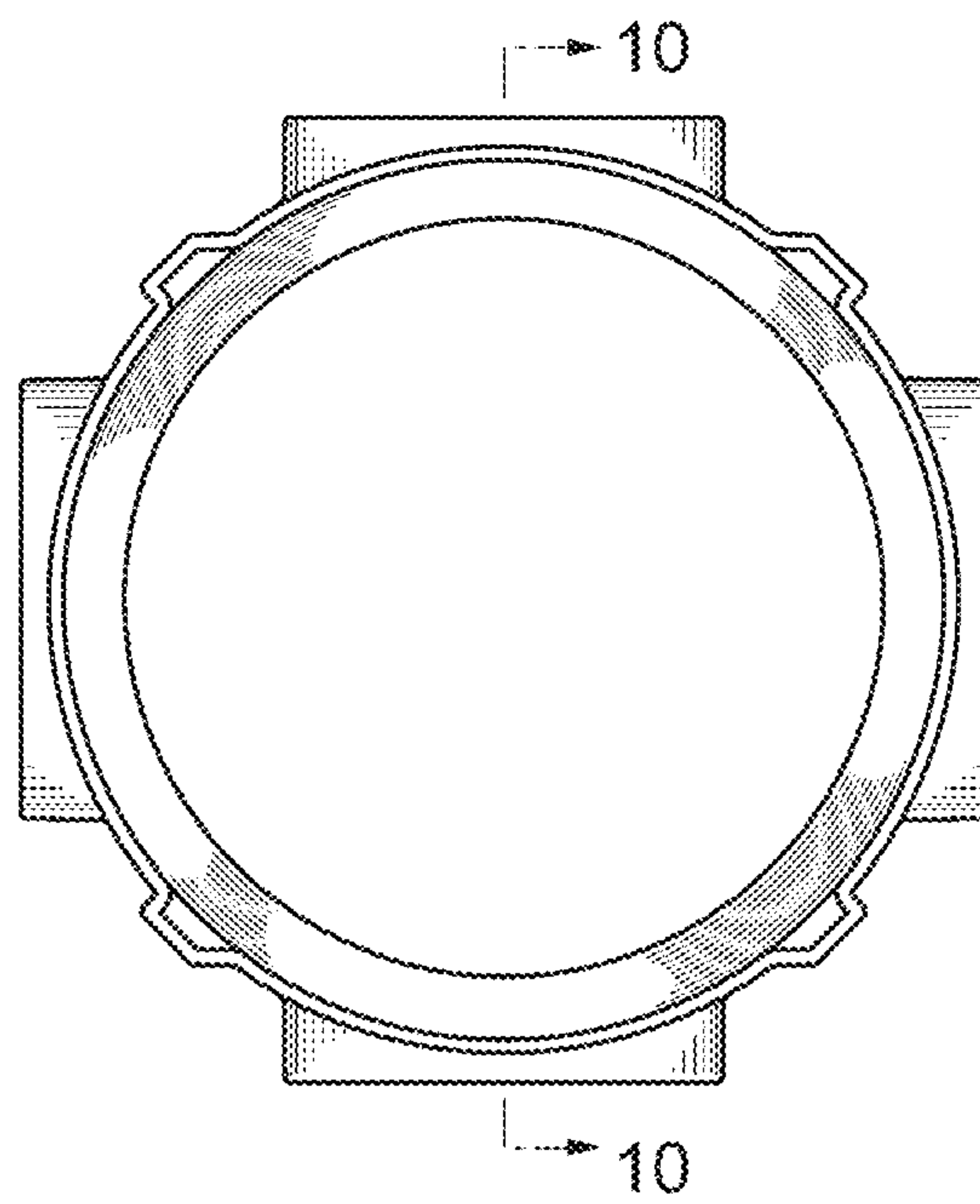


FIG. 5

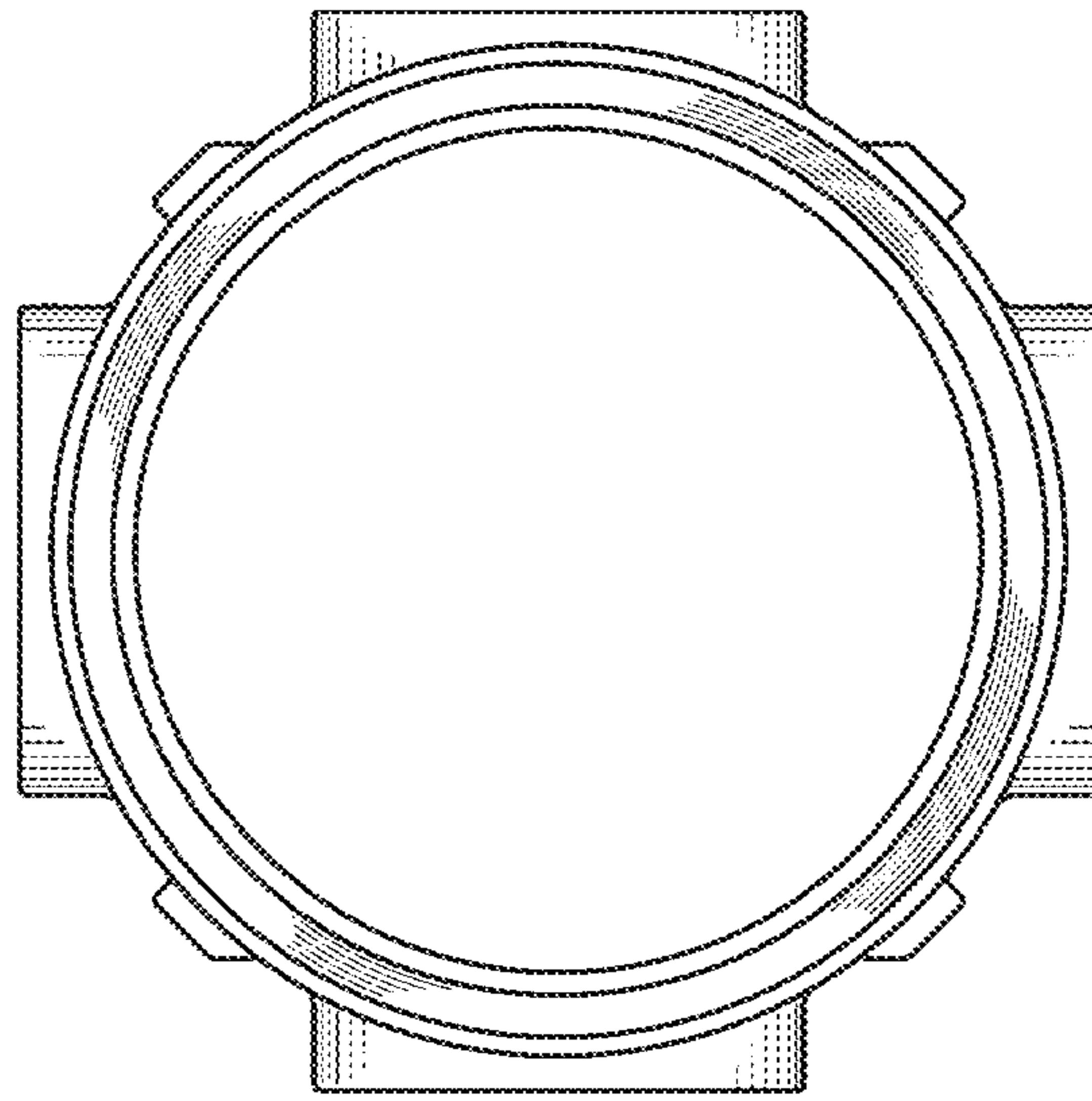


FIG. 6

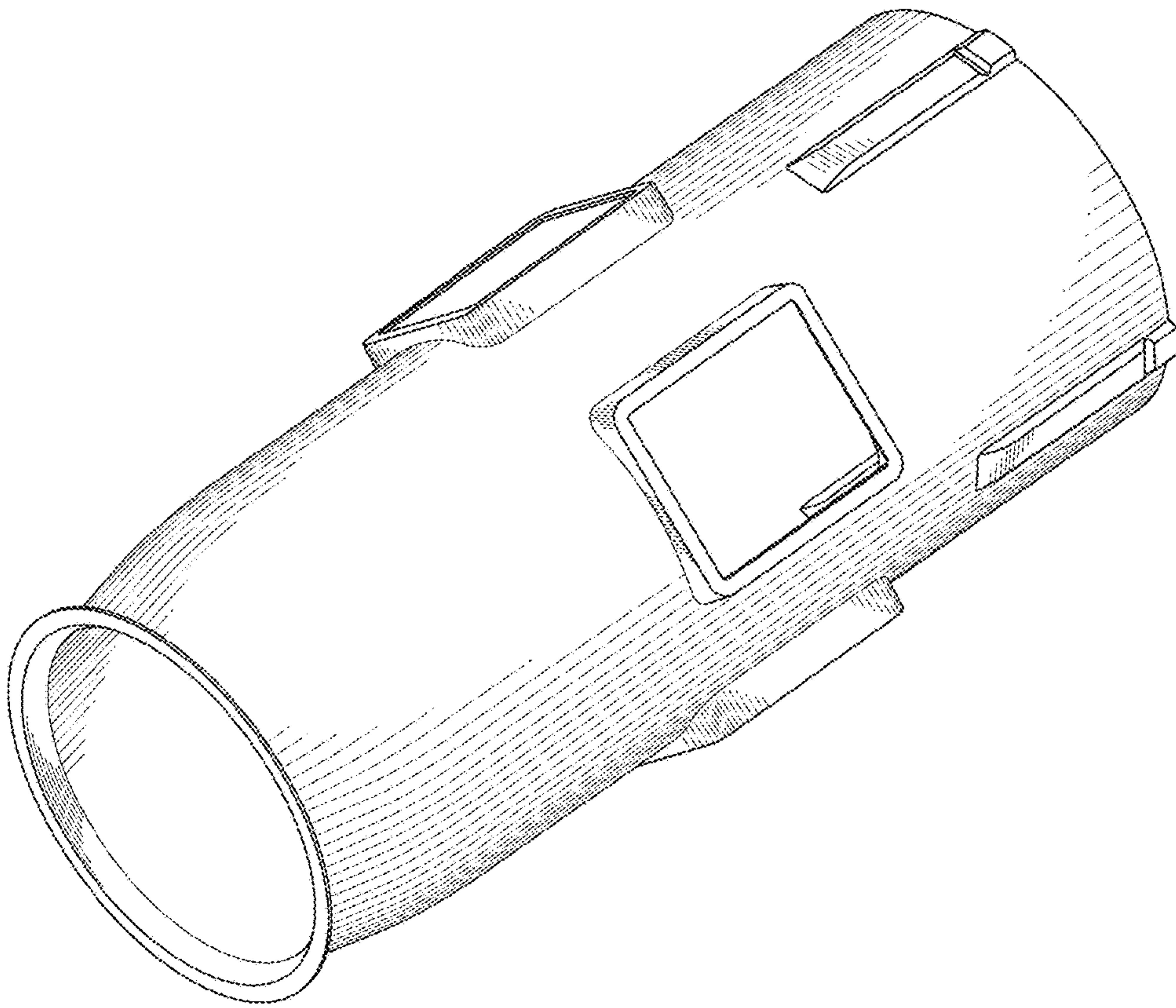


FIG. 7

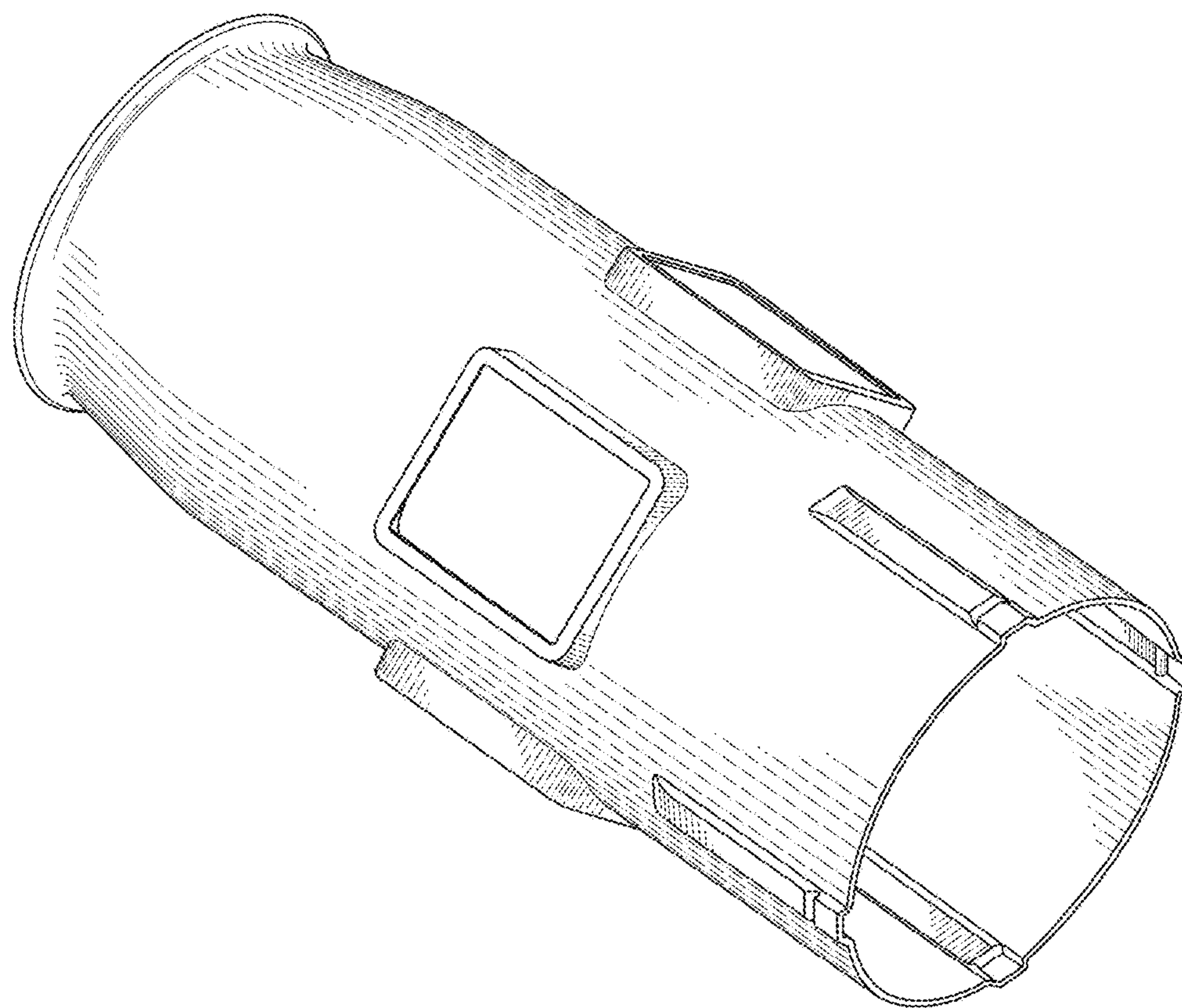


FIG. 8

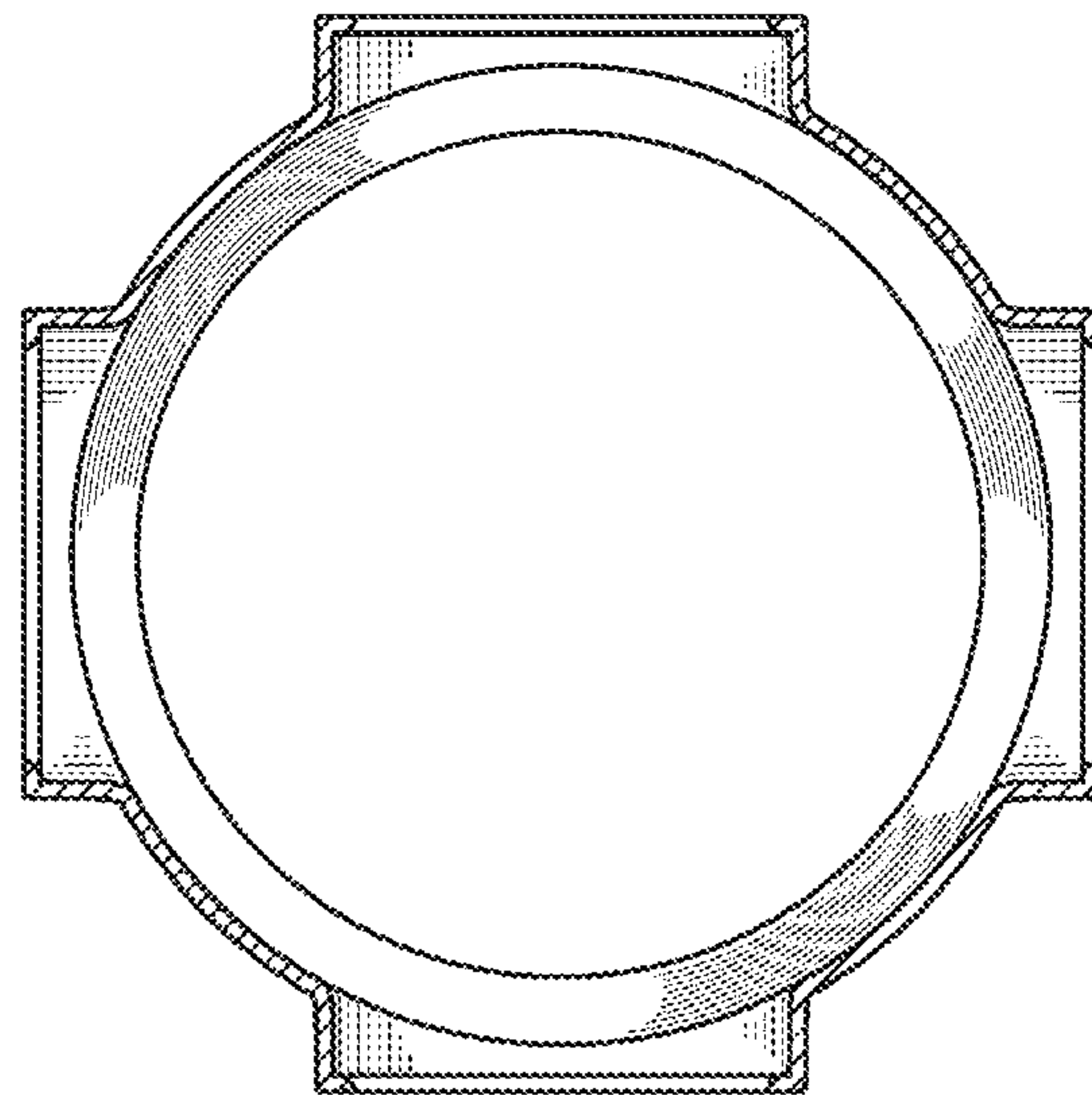


FIG. 9

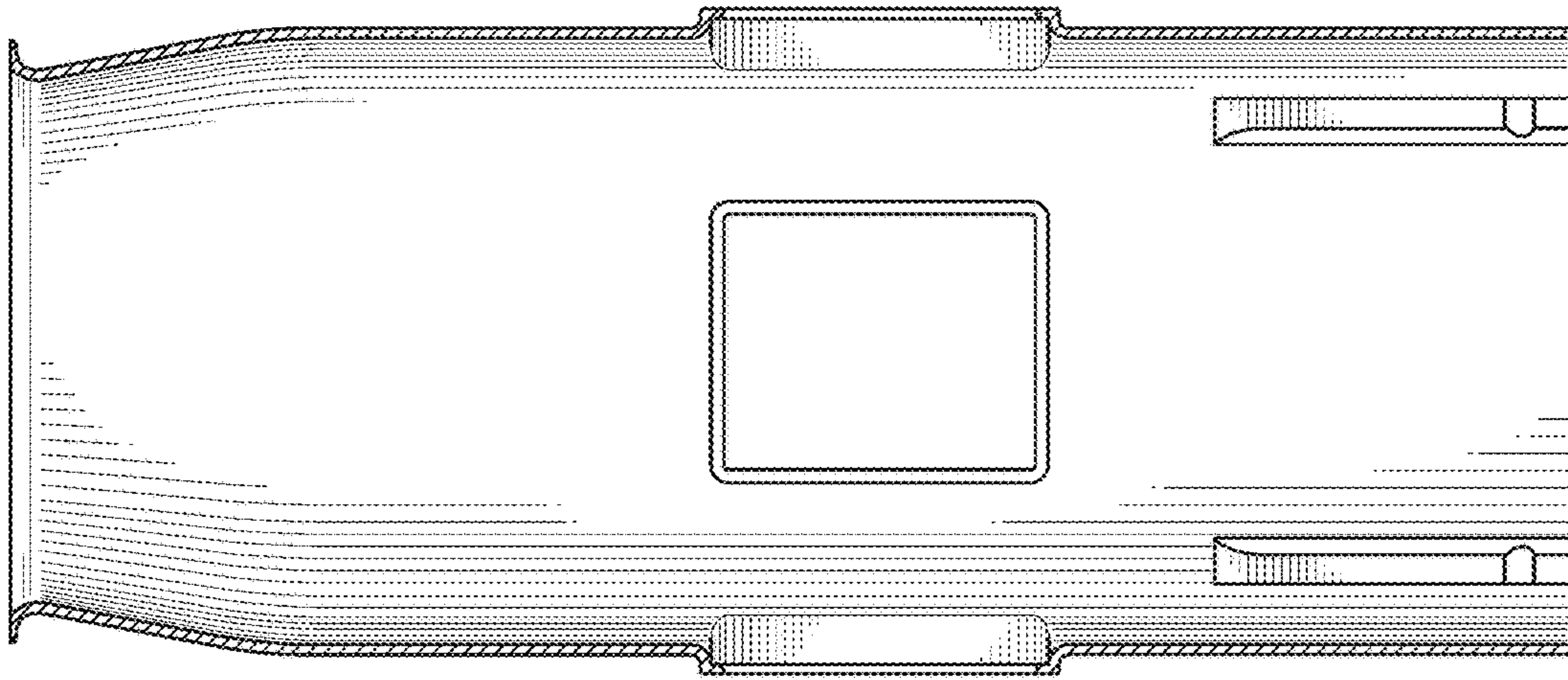


FIG. 10

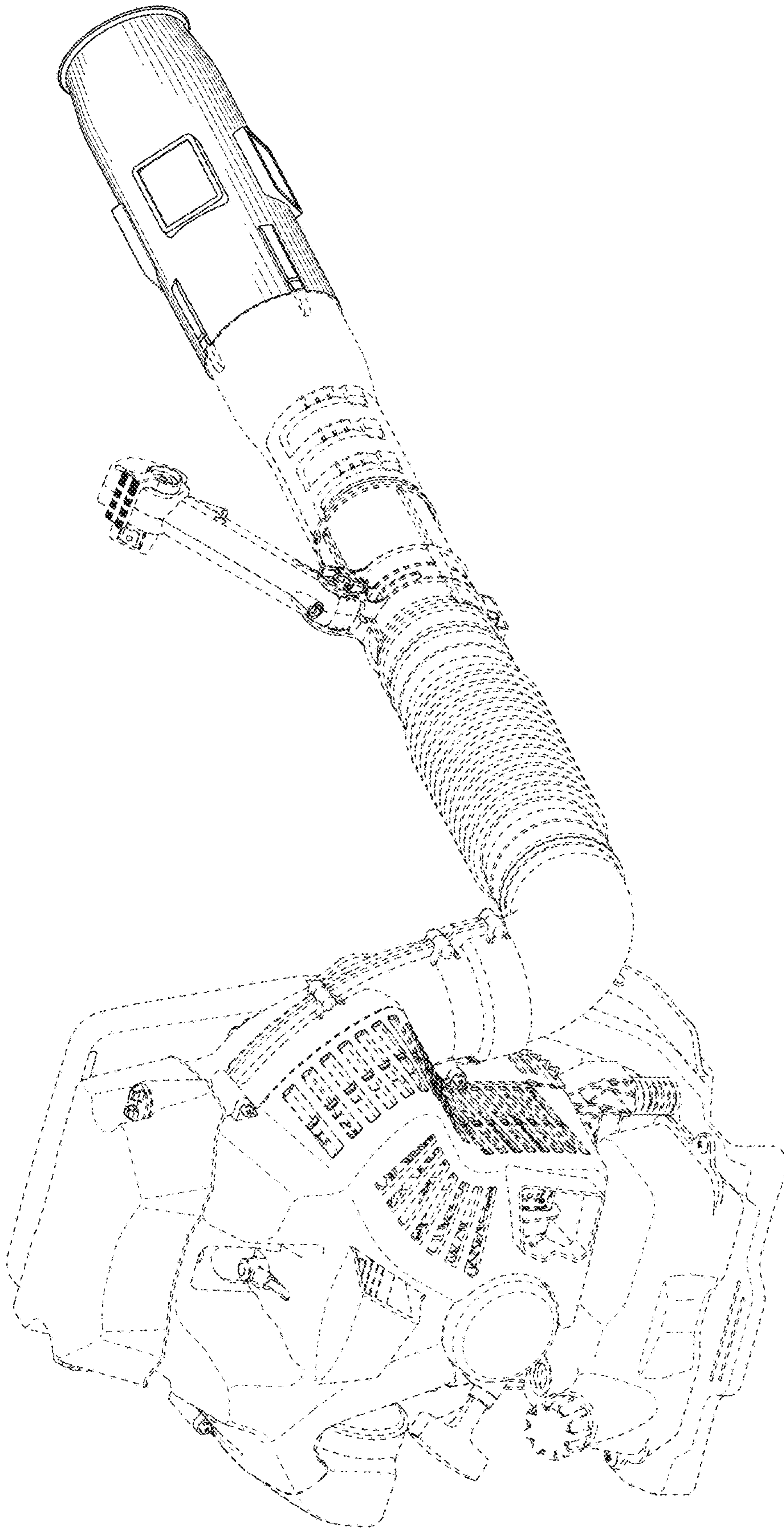


FIG. 11

UNITED STATES PATENT AND TRADEMARK OFFICE
CERTIFICATE OF CORRECTION

PATENT NO. : D815,377 S
APPLICATION NO. : 29/590628
DATED : April 10, 2018
INVENTOR(S) : Hirofumi Mukai

Page 1 of 1

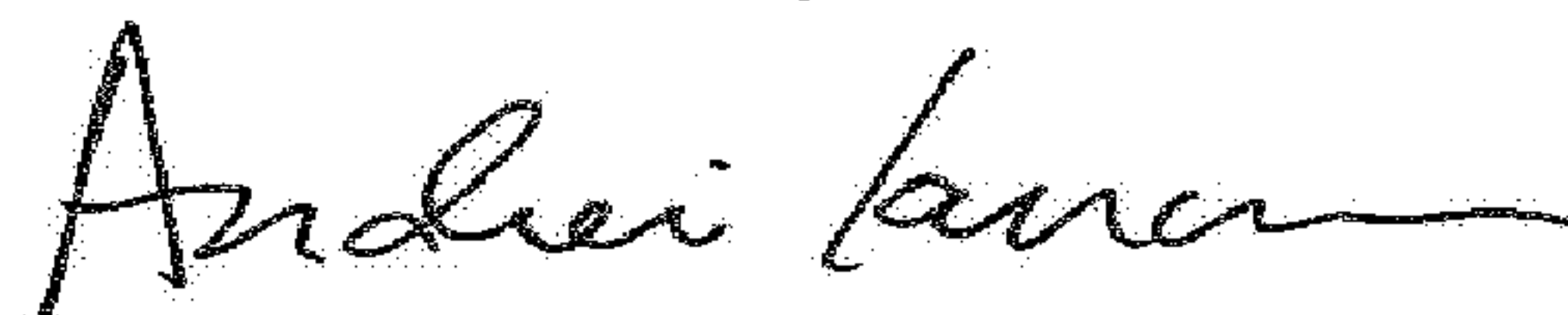
It is certified that error appears in the above-identified patent and that said Letters Patent is hereby corrected as shown below:

On the Title Page

Insert:

--(30) Foreign Application Priority Data
Sept. 21, 2016 (JP) D2016-020361--

Signed and Sealed this
Nineteenth Day of June, 2018



Andrei Iancu
Director of the United States Patent and Trademark Office