



US00D815376S

(12) **United States Design Patent** (10) **Patent No.:** **US D815,376 S**
Lee et al. (45) **Date of Patent:** **** *Apr. 10, 2018**

(54) **PEDESTAL WASHING MACHINE**

37/02; D06F 37/0812; D06F 37/145;
D06F 39/125

(71) Applicant: **LG ELECTRONICS INC.**, Seoul
(KR)

See application file for complete search history.

(72) Inventors: **Junghwan Lee**, Seoul (KR); **Kyungah Lee**, Seoul (KR); **Yeji Um**, Seoul (KR); **Hyewon Kim**, Seoul (KR); **Jeaseok Seong**, Seoul (KR)

(56) **References Cited**

U.S. PATENT DOCUMENTS

D474,566 S *	5/2003	Baldwin	D32/25
D483,206 S *	12/2003	Schweikarth	D6/705.5
D504,259 S *	4/2005	Arceta	D6/705.5
D521,702 S *	5/2006	No	D32/25
D549,408 S *	8/2007	Lee	D32/25
D587,048 S *	2/2009	Hand	D6/705.5
D589,718 S *	4/2009	Hand	D3/297
D606,267 S *	12/2009	Shor	D32/6
D613,972 S *	4/2010	Hand	D3/297

(Continued)

(73) Assignee: **LG Electronics Inc.**, Seoul (KR)

Primary Examiner — Darlington Ly

(*) Notice: This patent is subject to a terminal disclaimer.

(74) *Attorney, Agent, or Firm* — Birch, Stewart, Kolasch & Birch, LLP

(**) Term: **15 Years**

(21) Appl. No.: **35/501,429**

(57) **CLAIM**

(22) Filed: **Feb. 23, 2016**

The ornamental design for a pedestal washing machine, as shown and described.

(80) **Hague Agreement Data**

DESCRIPTION

Int. Filing Date: **Feb. 23, 2016**

1. Pedestal washing machine

Int. Reg. No.: **DM/089841**

1.1 is a top, front, and right-side perspective view of a pedestal washing machine showing our new design;

Int. Reg. Date: **Feb. 23, 2016**

1.2 is a front elevation view thereof;

Int. Reg. Pub. Date: **Aug. 26, 2016**

1.3 is a rear elevation view thereof;

(30) **Foreign Application Priority Data**

Sep. 3, 2015 (KR) 30-2015-0044481

1.4 is a left-side elevation view thereof;

(51) **LOC (11) Cl.** **15-05**

1.5 is a right-side elevation view thereof;

(52) **U.S. Cl.**

USPC **D32/25**

1.6 is a top plan view thereof;

(58) **Field of Classification Search**

USPC D32/1, 5, 6, 8, 10, 11, 25, 29

1.7 is a bottom plan view thereof;

CPC . B08B 3/12; D06F 17/04; D06F 31/00; D06F

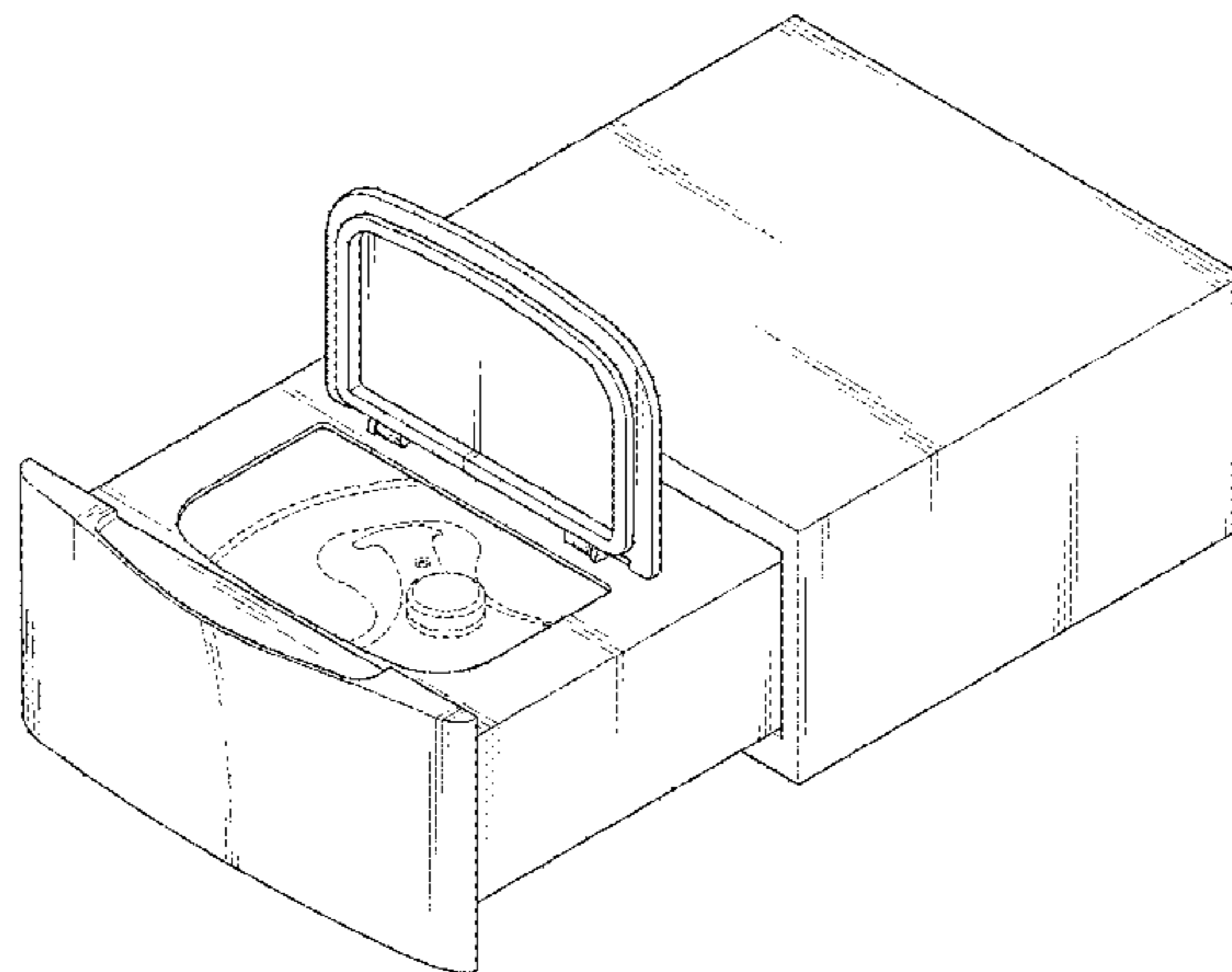
1.8 is a top, front, and right-side perspective view thereof, wherein the lid is in an opened position;

1.9 is a front elevation view thereof, wherein the lid is in an opened position;

1.10 is a right-side elevation view thereof, wherein the lid is in an opened position;

1.11 is a top plan view thereof, wherein the lid is in an opened position; and

(Continued)



1.12 is a top, front, and right-side perspective view thereof, wherein a separate washing machine appliance is shown sitting atop the pedestal washing machine.

The broken lines shown in **1.8** and **1.11** illustrate portions of the pedestal washing machine that form no part of the claimed design.

1 Claim, 12 Drawing Sheets

(56)

References Cited

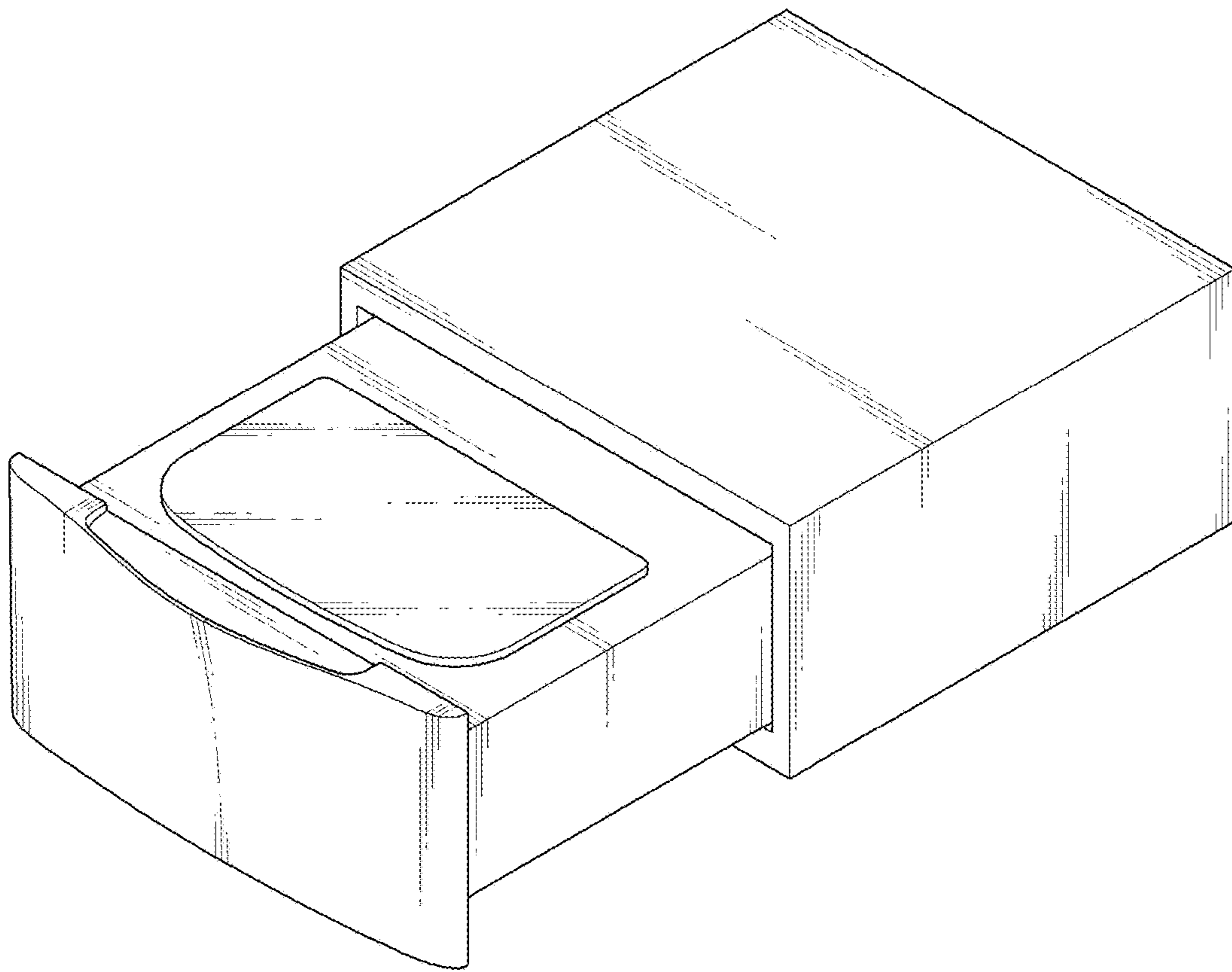
U.S. PATENT DOCUMENTS

D617,965 S *	6/2010	Grutzke	D32/25
D620,211 S *	7/2010	Shail	D32/25
D629,168 S *	12/2010	Park	D32/25
D633,670 S *	3/2011	Grutzke	D32/25
7,921,679 B2 *	4/2011	Jo	D06F 39/125 248/346.01
D645,623 S *	9/2011	Helot	D32/25
8,215,136 B2 *	7/2012	Kim	D06F 17/04 68/11

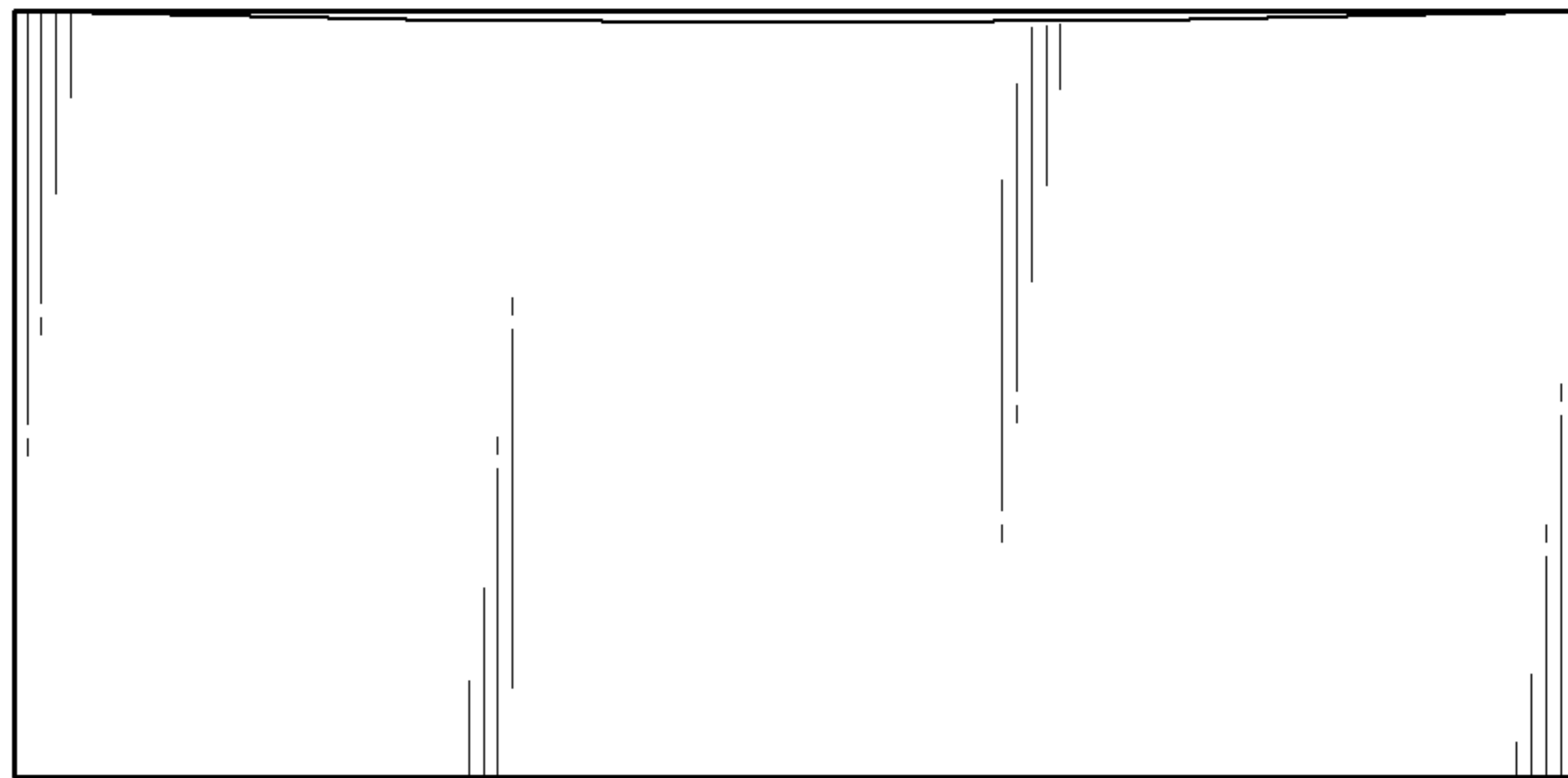
D665,544 S *	8/2012	Jeon	D32/6
D667,179 S *	9/2012	Jeon	D32/6
8,341,981 B2 *	1/2013	Kim	D06F 39/125 312/228
8,561,438 B2 *	10/2013	Jeong	D06F 31/00 68/13 R
D701,657 S *	3/2014	Chung	D32/6
D701,658 S *	3/2014	Chung	D32/6
D704,909 S *	5/2014	Jeon, II	D32/25
D728,870 S *	5/2015	Borjesson	D32/3
D732,777 S *	6/2015	Ha	D32/28
D759,911 S *	6/2016	Chung	D32/6
D767,837 S *	9/2016	Chee	D32/25
9,447,841 B2 *	9/2016	Kim	F16F 15/08
D784,637 S *	4/2017	Kim	D32/25
D792,035 S *	7/2017	Chung	D32/6
D794,265 S *	8/2017	Chung	D32/6
2007/0151120 A1 *	7/2007	Tomasi	D06F 29/00 34/601
2009/0145174 A1 *	6/2009	Kim	D06F 23/02 68/27
2009/0145175 A1 *	6/2009	Kim	D06F 29/005 68/27
2009/0145177 A1 *	6/2009	Kim	D06F 39/125 68/13 R

* cited by examiner

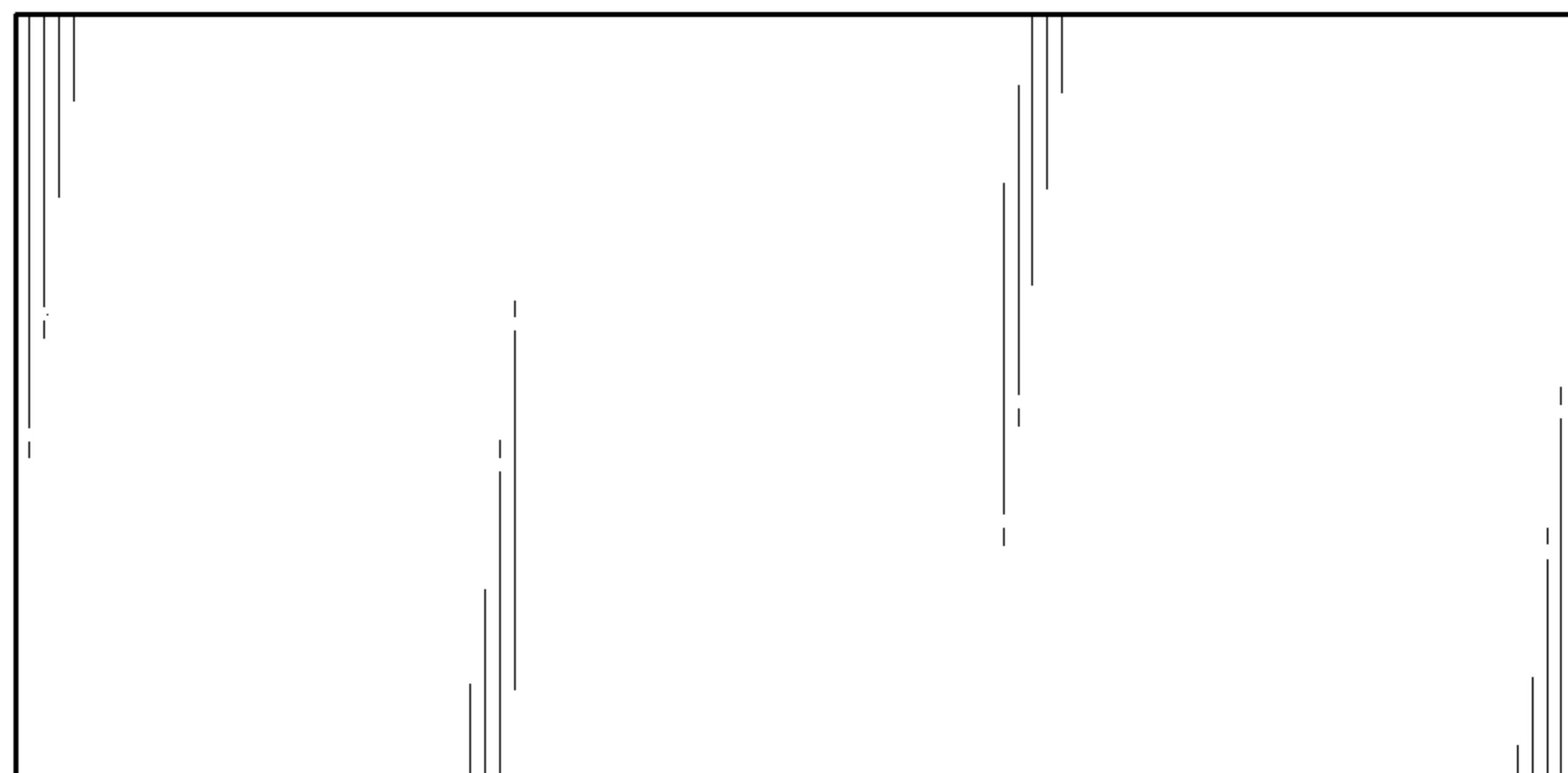
1. 1



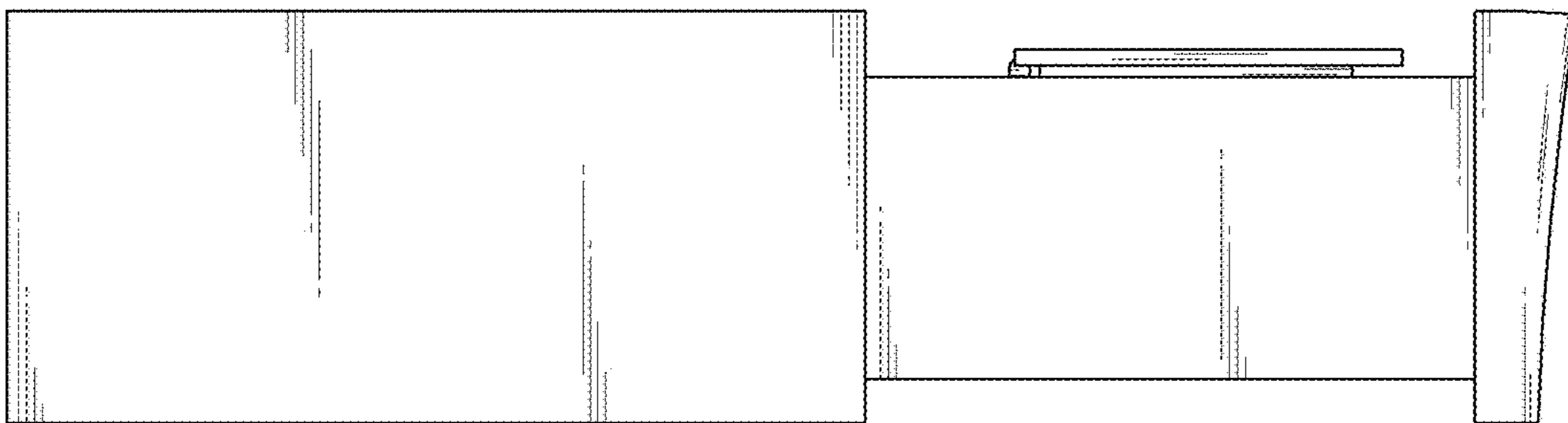
1. 2



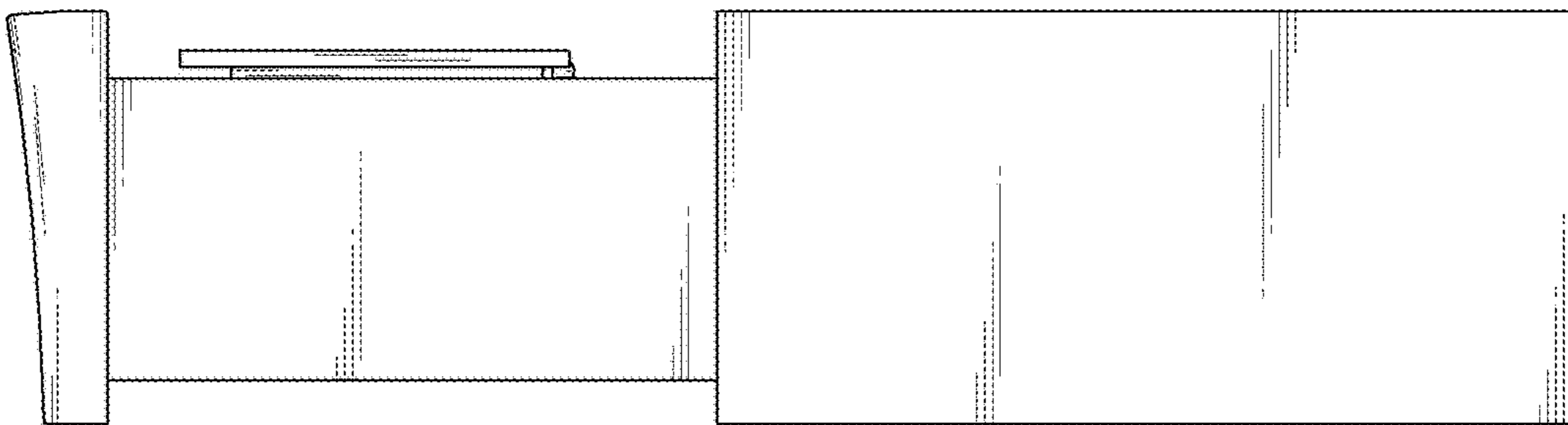
1. 3



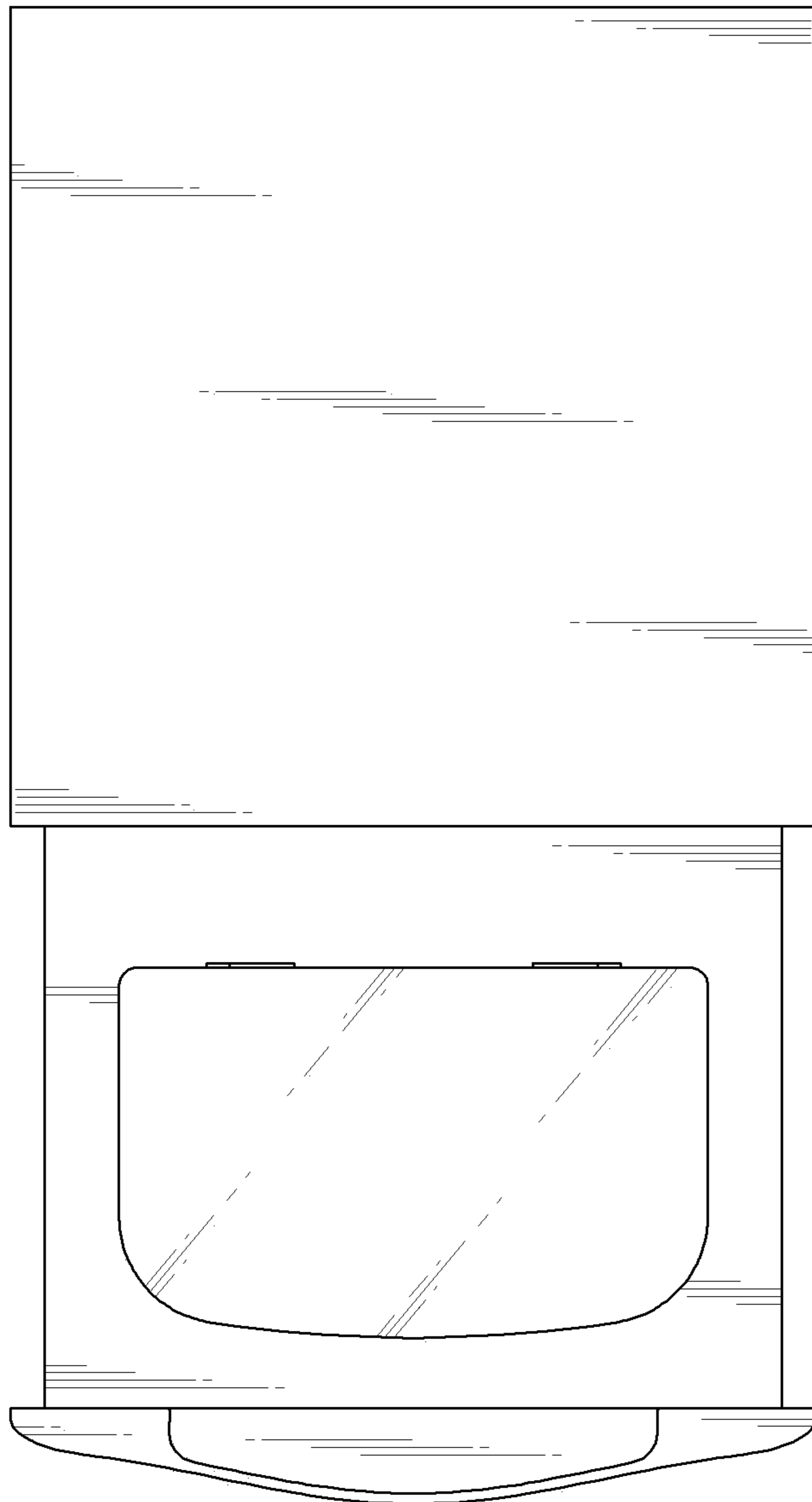
1. 4



1.5



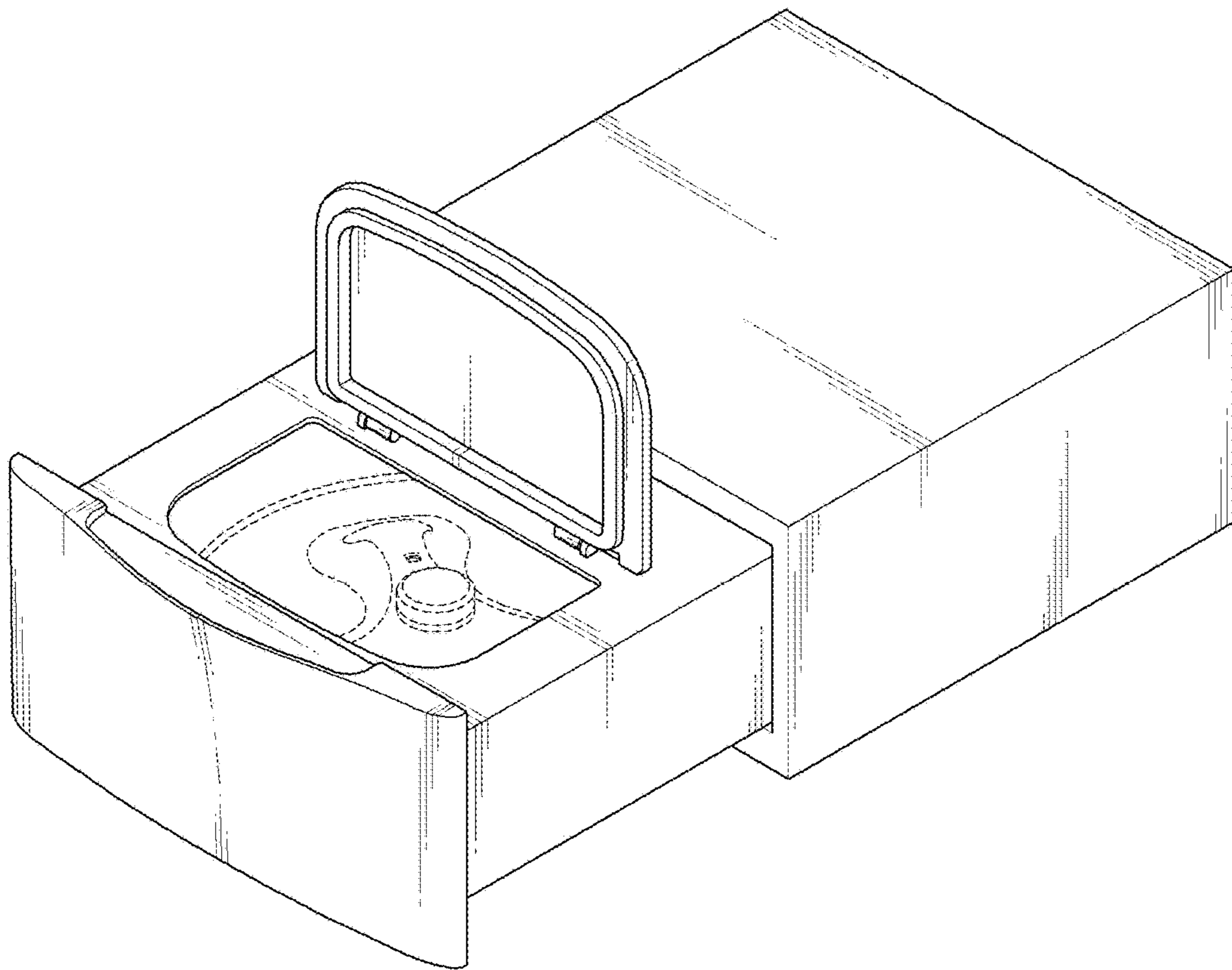
1. 6



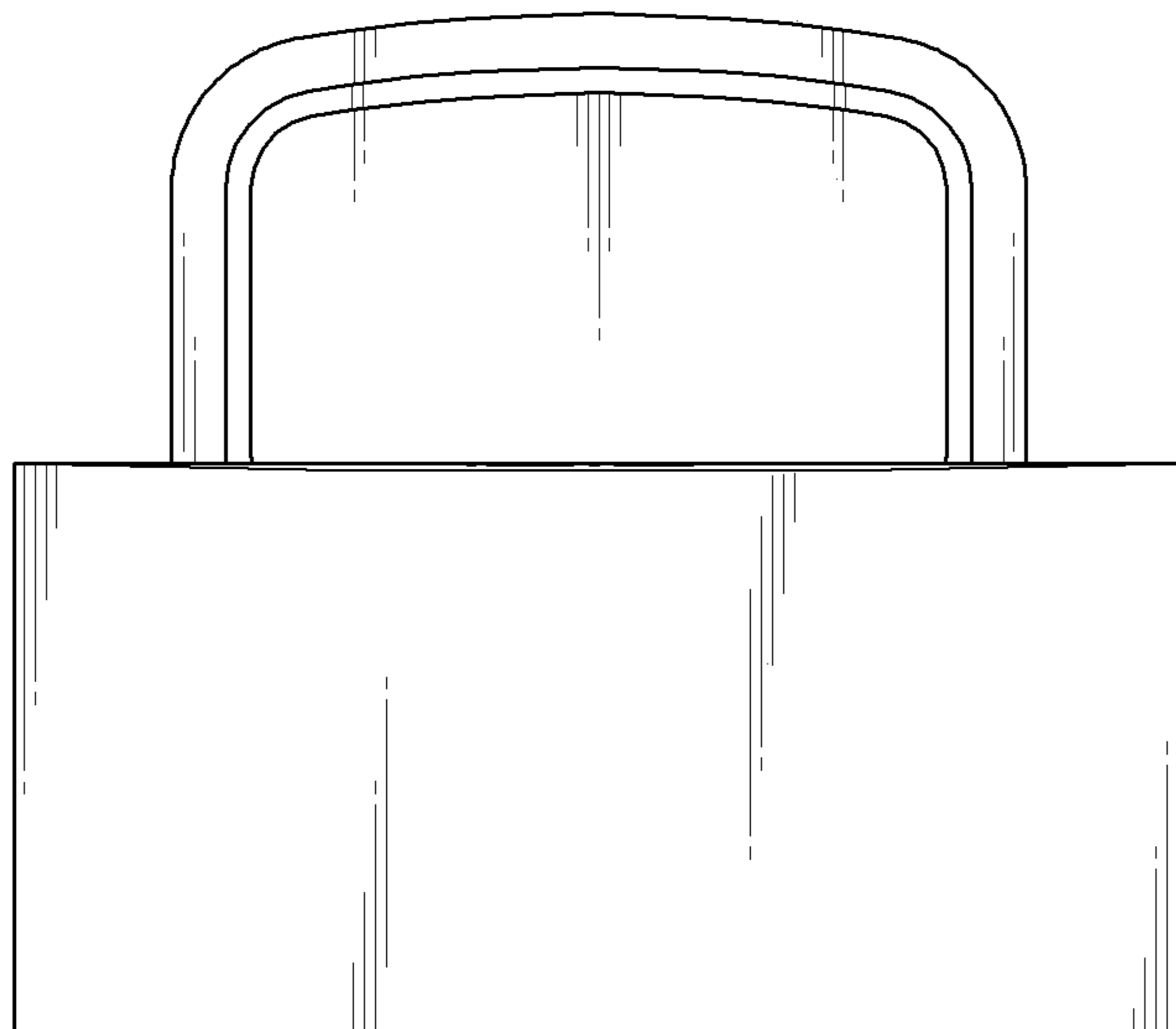
1. 7



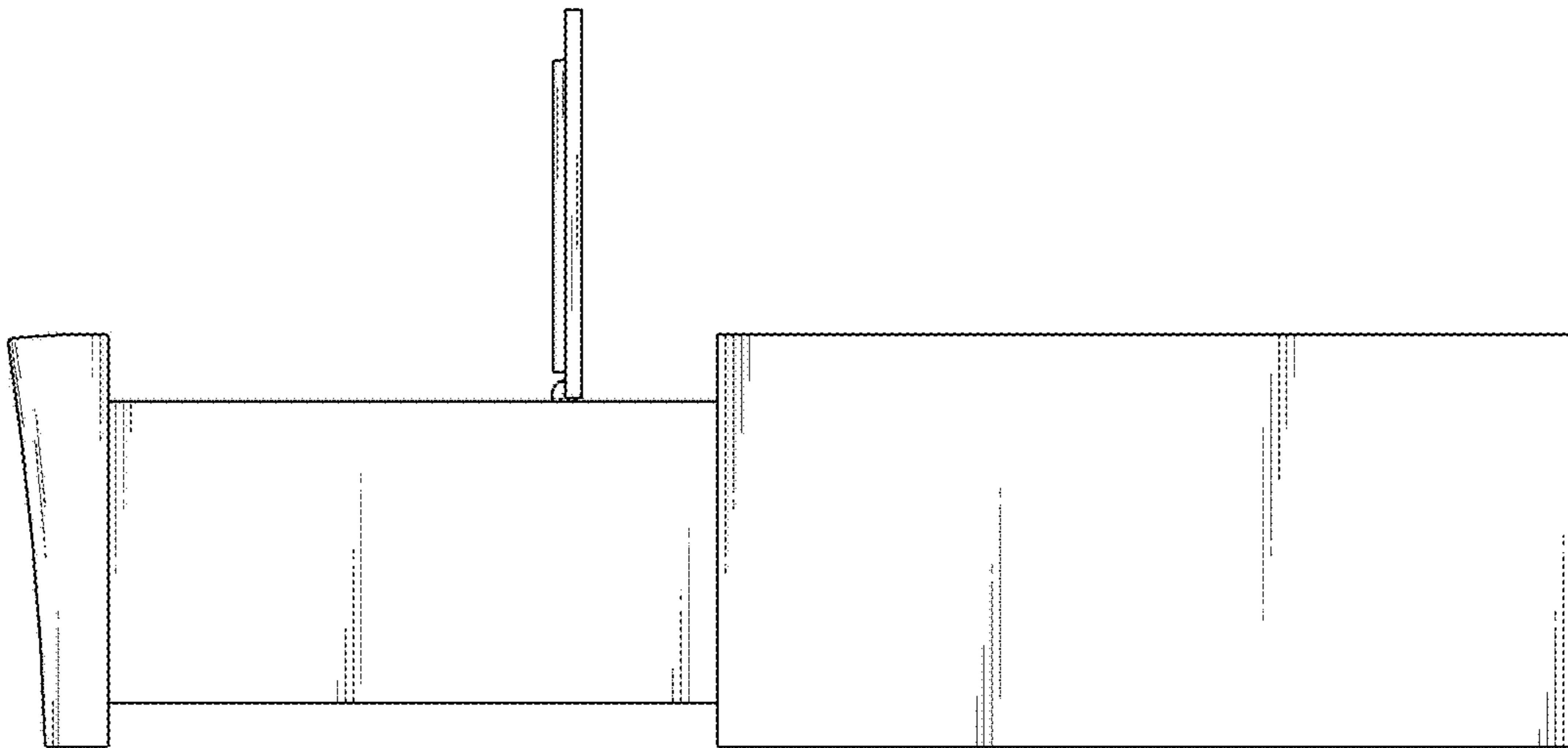
1. 8



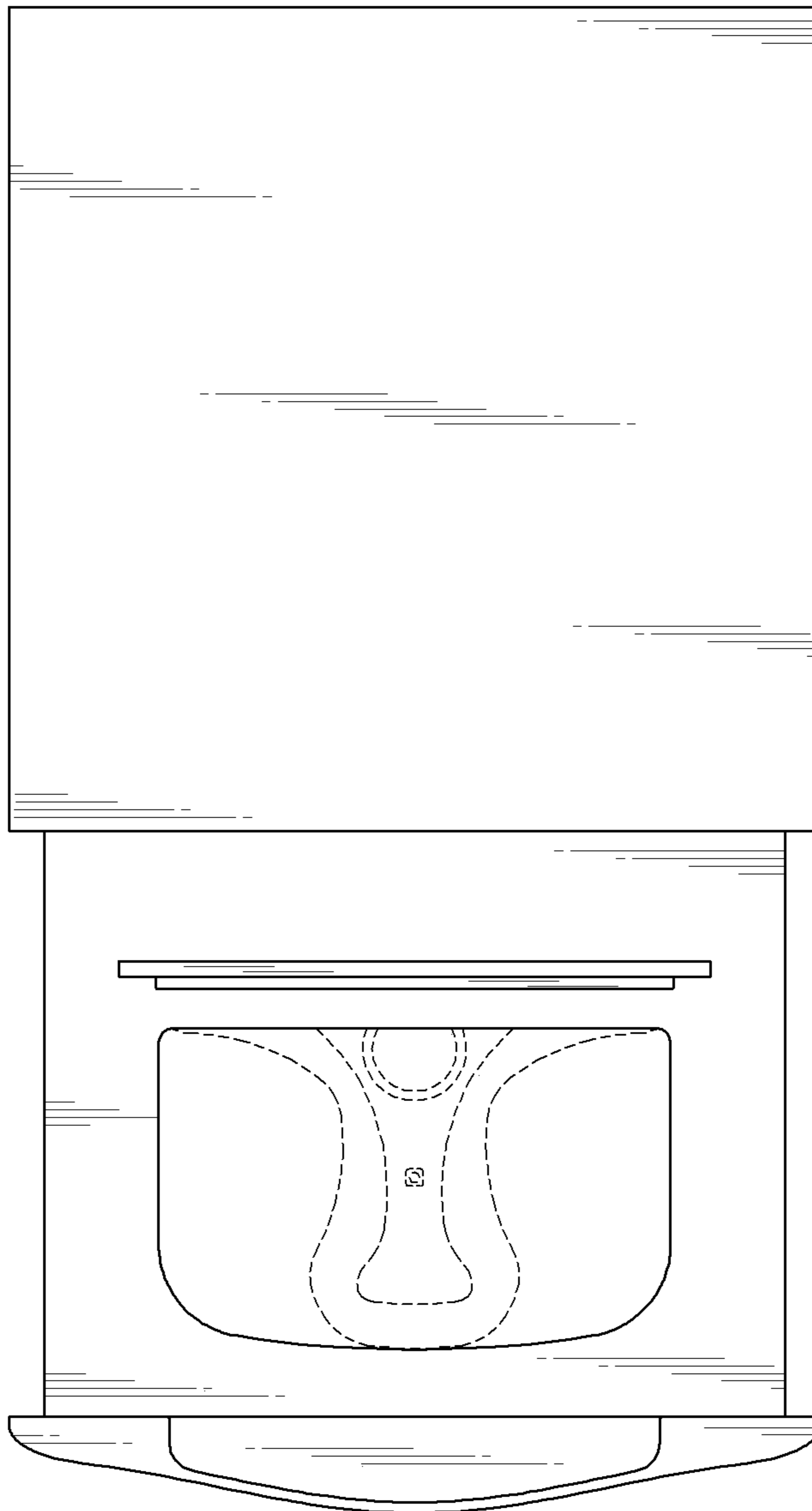
1.9



1. 10



1. 11



1. 12

