



US00D815375S

(12) **United States Design Patent**  
**Cheng**

(10) **Patent No.:** **US D815,375 S**

(45) **Date of Patent:** **\*\* Apr. 10, 2018**

(54) **DUST COLLECTOR**

(71) Applicant: **SAN FORD MACHINERY CO., LTD.**, Taichung (TW)

(72) Inventor: **Mao-Nan Cheng**, Taichung (TW)

(73) Assignee: **SAN FORD MACHINERY CO., LTD.**, Taichung (TW)

(\*\*) Term: **15 Years**

(21) Appl. No.: **29/555,897**

(22) Filed: **Feb. 25, 2016**

(51) **LOC (11) Cl.** ..... **15-05**

(52) **U.S. Cl.**  
USPC ..... **D32/21**

(58) **Field of Classification Search**  
USPC ..... D32/21–23, 31, 34  
CPC ..... G06N 3/008; A47L 9/2857; A47L 9/2842;  
A47L 9/2852; A47L 9/00; A47L 9/325;  
A47L 5/36–5/367; A47L 7/0019; A47L  
7/0004; A47L 11/34; A47L 11/29; A47L  
11/30; E04H 4/1654; B01D 46/52; B01D  
46/0086; B01D 46/0075; B01D 46/2403;  
B01D 46/48

See application file for complete search history.

(56) **References Cited**

**U.S. PATENT DOCUMENTS**

D593,264 S \* 5/2009 Lin ..... D32/21  
D596,358 S \* 7/2009 Witter ..... D32/21

D596,816 S \* 7/2009 Leasure ..... D32/21  
D632,443 S \* 2/2011 Witter ..... D32/21  
D632,854 S \* 2/2011 Witter ..... D32/21  
D638,179 S \* 5/2011 Witter ..... D32/21

\* cited by examiner

*Primary Examiner* — Ruth McInroy

(74) *Attorney, Agent, or Firm* — Ming Chow Sinorica, LLC

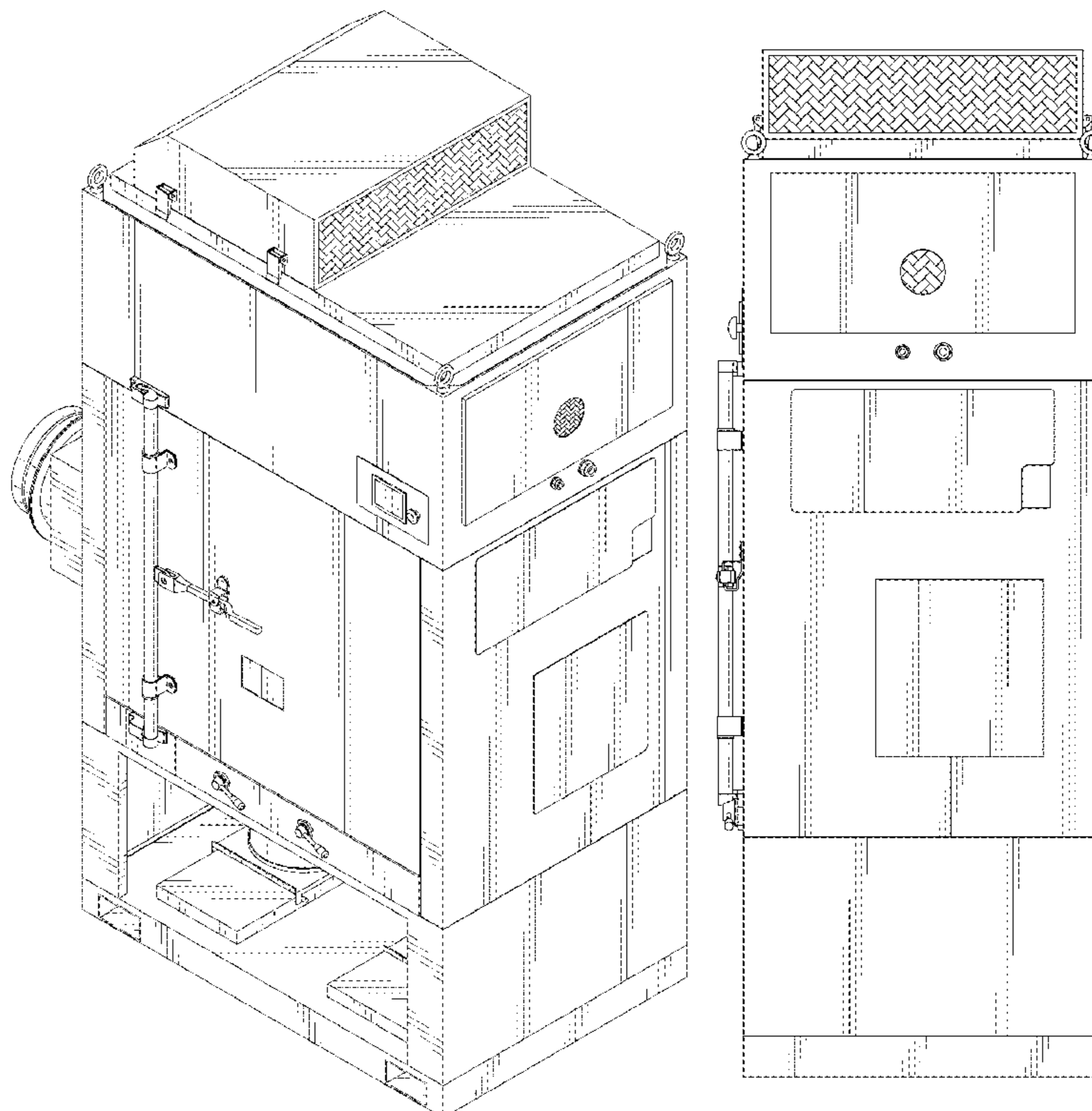
(57) **CLAIM**

I claim the ornamental design for a dust collector, as shown and described.

**DESCRIPTION**

FIG. 1 is a front perspective view of a dust collector showing my new design;  
FIG. 2 is a front elevational view thereof;  
FIG. 3 is a rear elevational view thereof.  
FIG. 4 is a left side elevational view thereof;  
FIG. 5 is a right side elevational view thereof;  
FIG. 6 is a top plan view thereof; and,  
FIG. 7 is a bottom plan view thereof.  
The details shown in broken lines form no part of the claimed design.

**1 Claim, 6 Drawing Sheets**



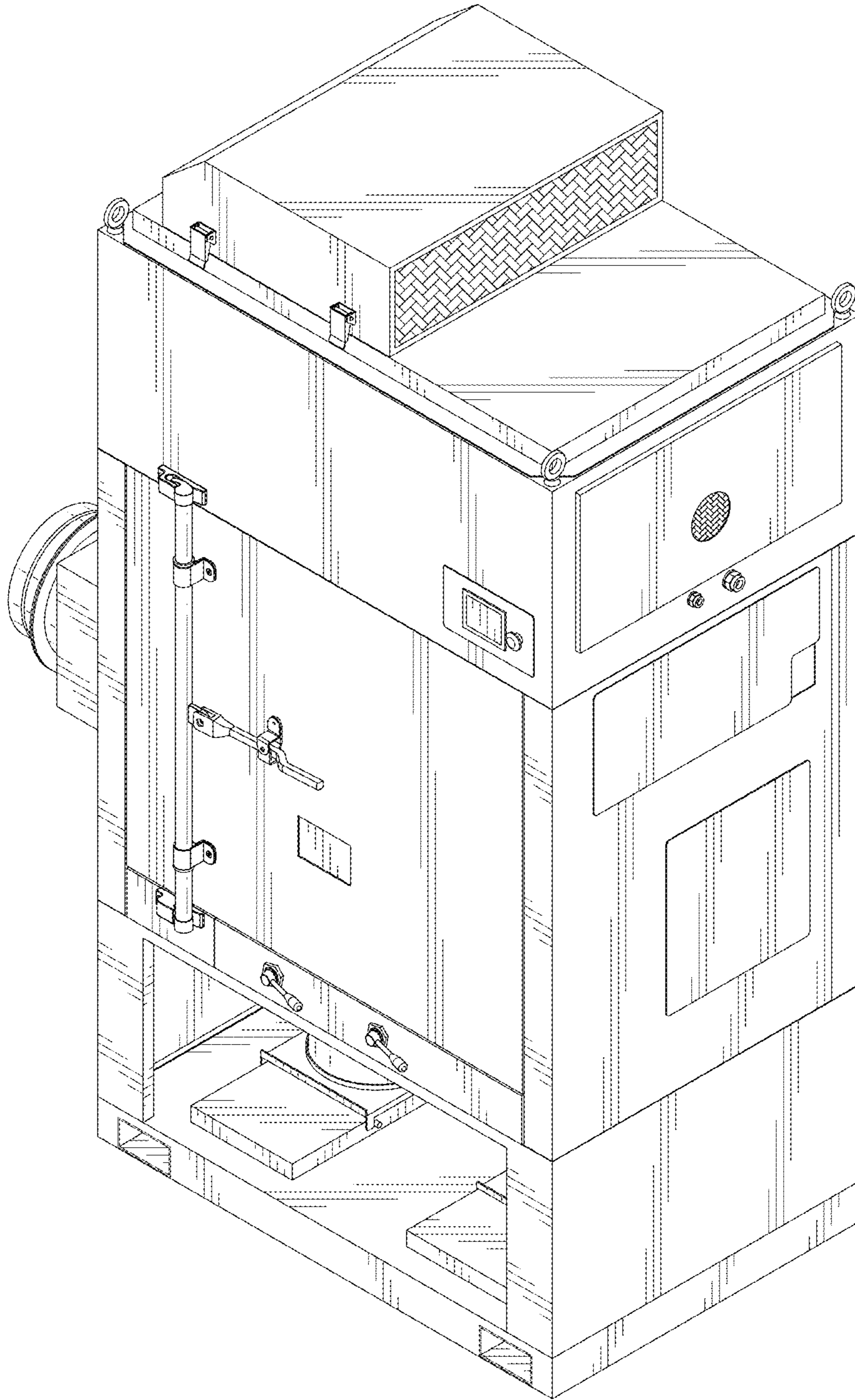


FIG. 1

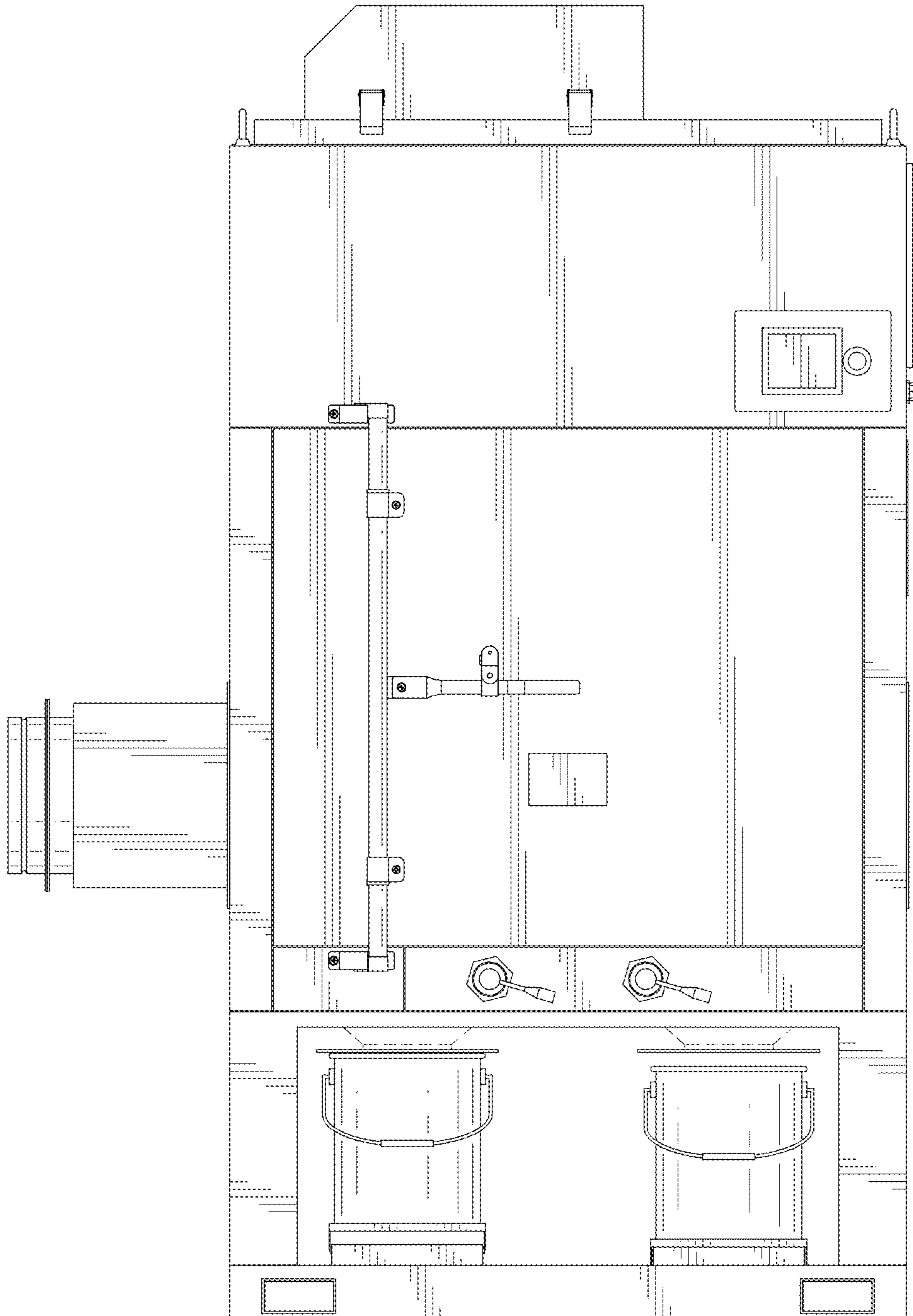


FIG. 2

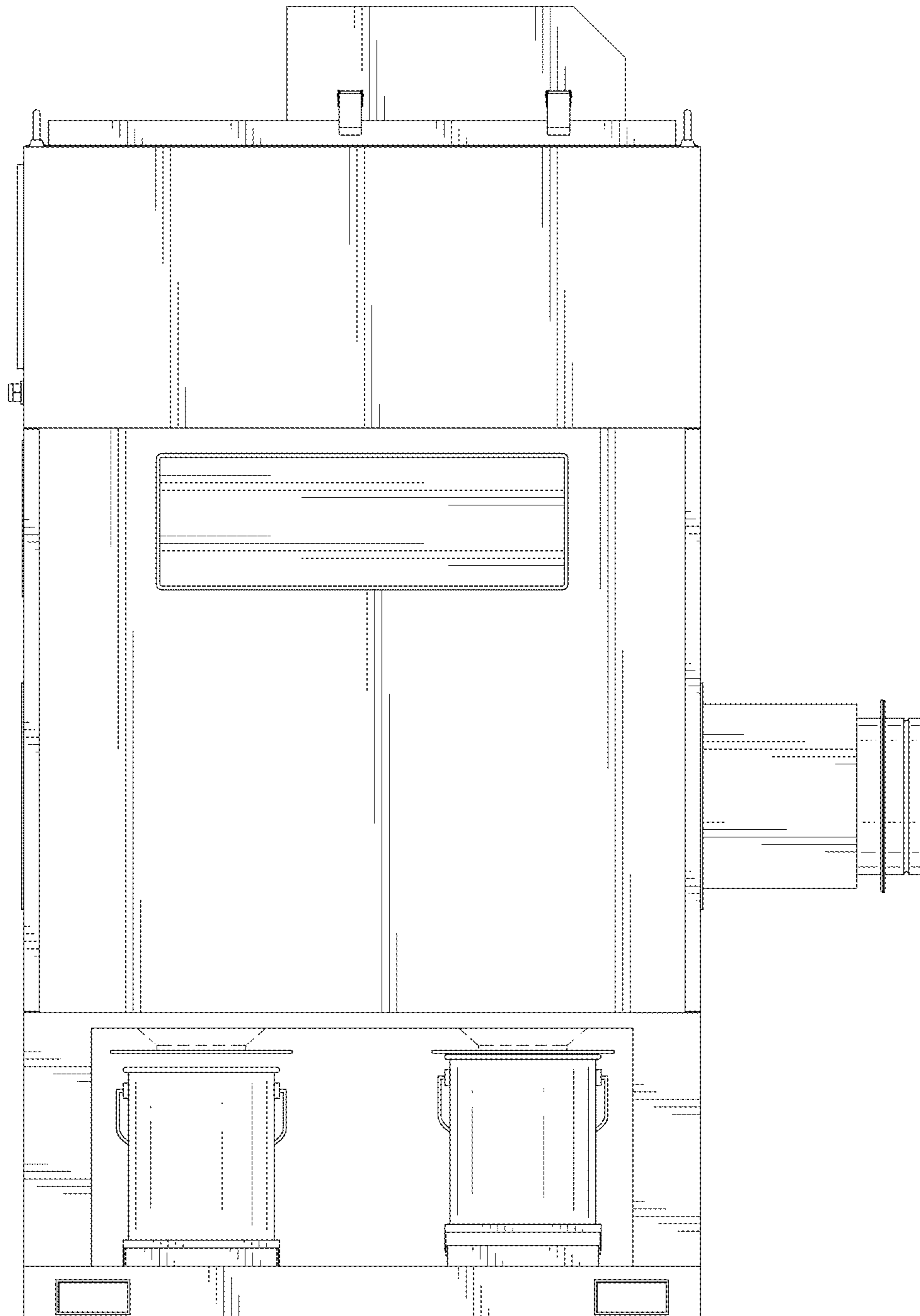


FIG. 3

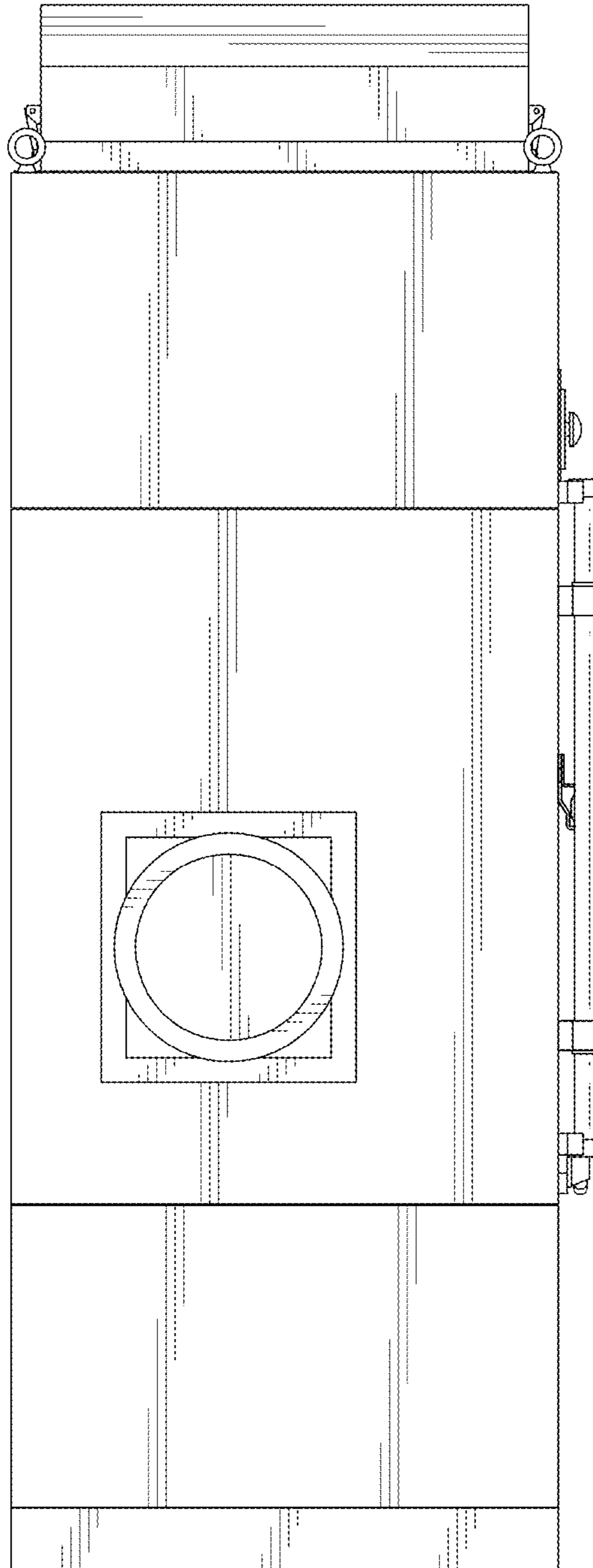


FIG. 4

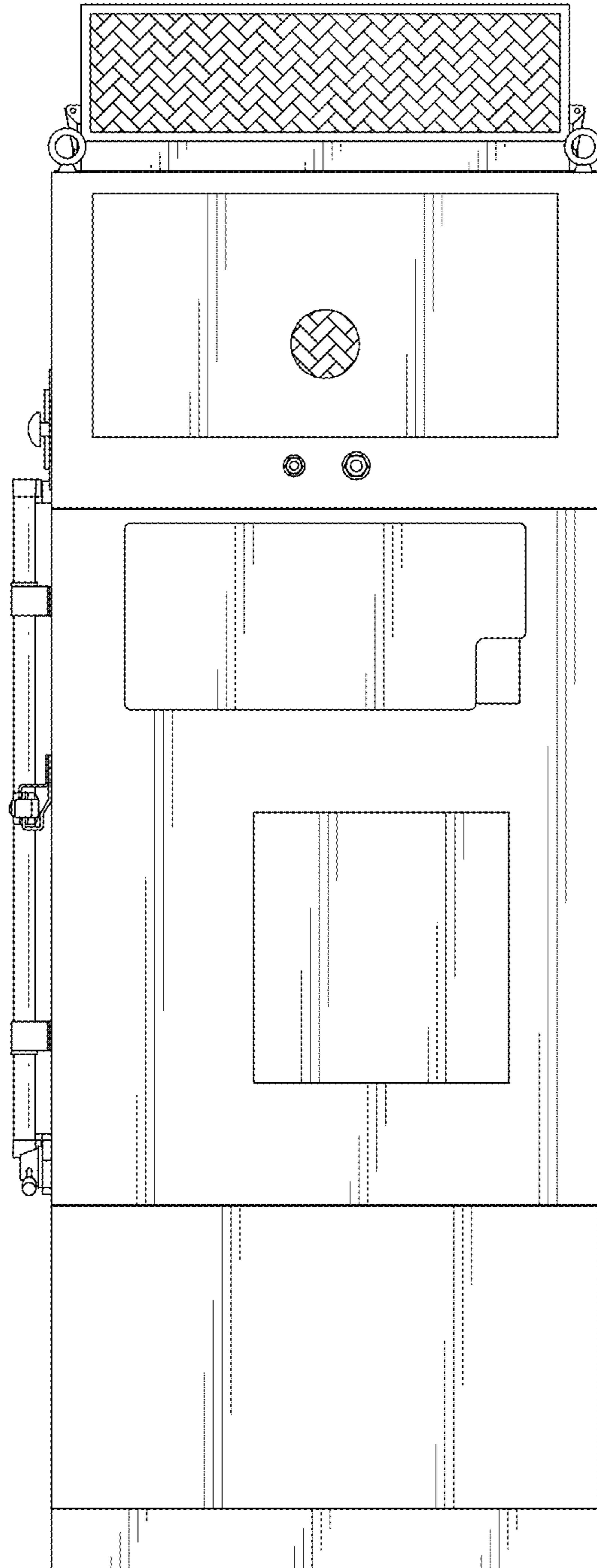


FIG. 5

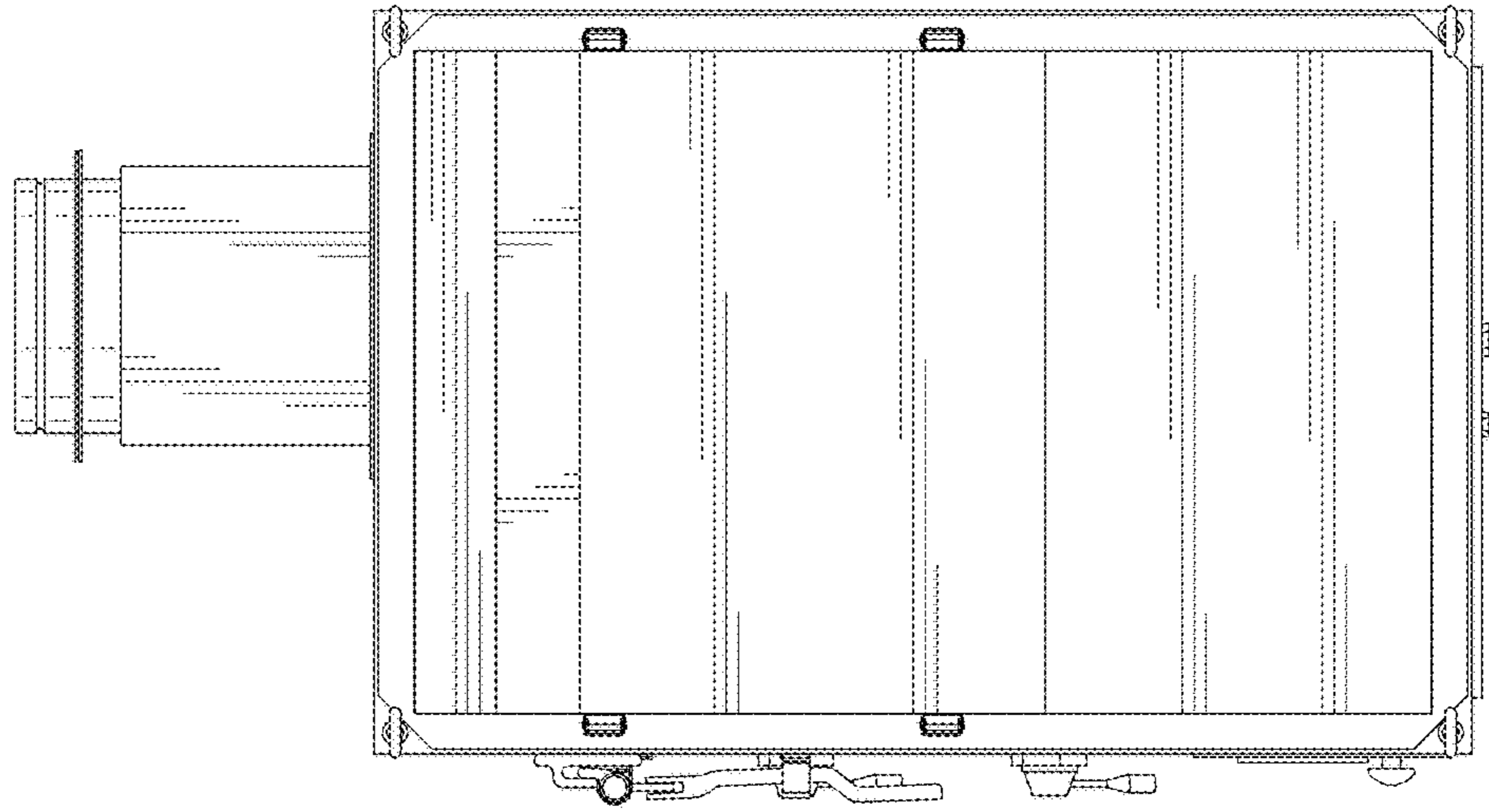


FIG. 6

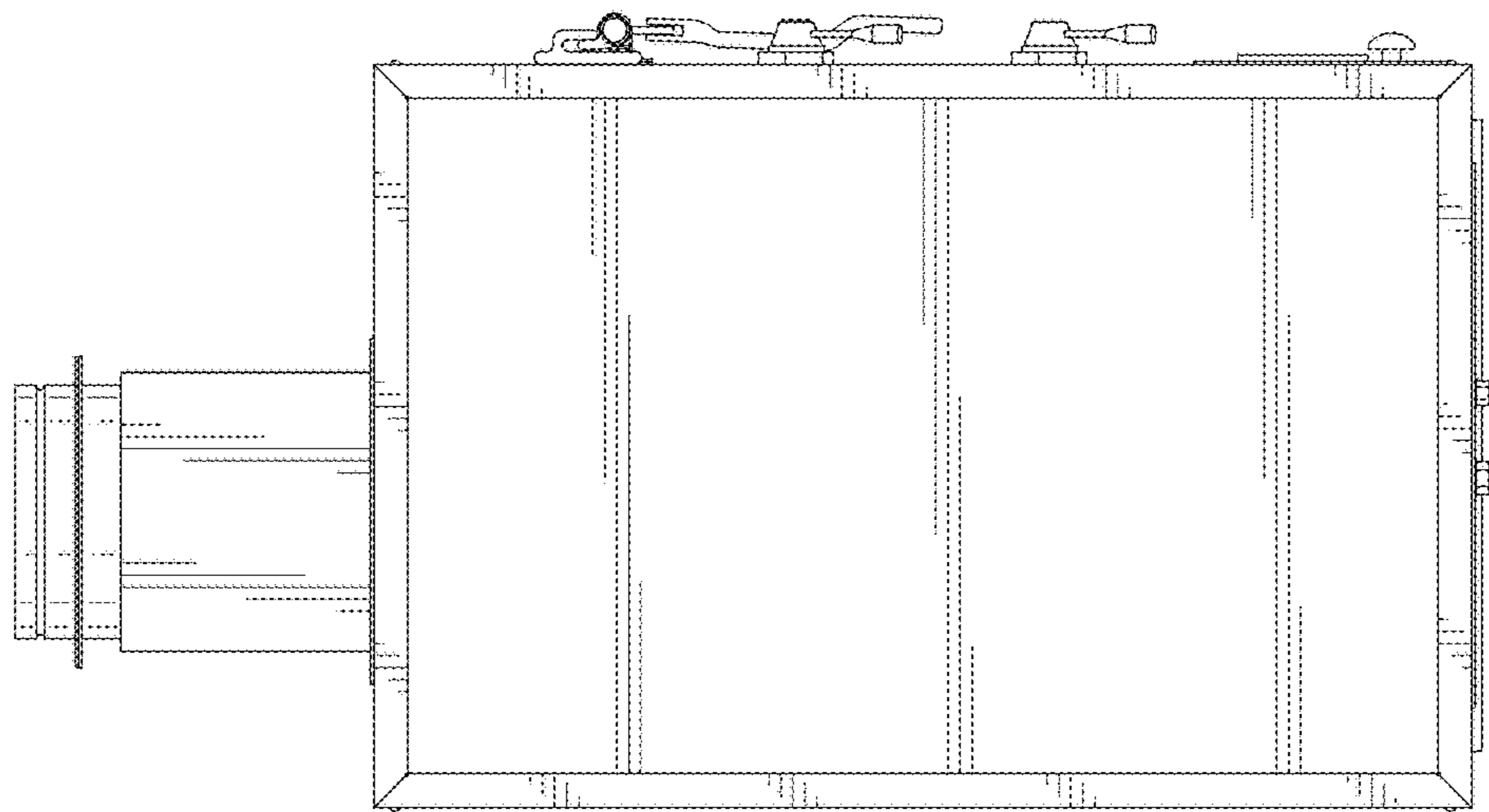


FIG. 7