

US00D815374S

(12) **United States Design Patent** (10) **Patent No.:** **US D815,374 S**
D'Heygere (45) **Date of Patent:** **** Apr. 10, 2018**

- (54) **DRYING MACHINE**
- (71) Applicant: **LAPAUW INTERNATIONAL NV**,
Heule (BE)
- (72) Inventor: **Lorenz D'Heygere**, Menen (BE)
- (73) Assignee: **LAPAUW INTERNATIONAL NV**,
Heule (BE)
- (**) Term: **15 Years**
- (21) Appl. No.: **29/554,635**
- (22) Filed: **Feb. 12, 2016**
- (51) **LOC (11) Cl.** **15-05**
- (52) **U.S. Cl.**
USPC **D32/8**
- (58) **Field of Classification Search**
USPC D7/340, 348; D32/2, 6, 8, 10, 25
CPC A47L 15/22; A47L 15/449; A47L 15/4463;
A47L 15/4445; A47L 15/4295; A47L
15/0055; A47L 15/0057; A47L 2301/04;
A47L 2501/07
See application file for complete search history.

- D700,409 S * 2/2014 Takahashi D32/25
- D703,886 S * 4/2014 Ha D32/6
- D730,601 S * 5/2015 Jinnam D32/25
- D730,602 S * 5/2015 Choi D32/25
- D731,131 S * 6/2015 Ha D32/25
- D732,767 S * 6/2015 Ha D32/25
- D767,835 S * 9/2016 Ha D32/25

* cited by examiner

Primary Examiner — Michael A. Pratt
Assistant Examiner — Michelle E Wilson
(74) *Attorney, Agent, or Firm* — Symbus Law Group,
LLC; Clifford D. Hyra

(57) **CLAIM**

The ornamental design for a drying machine, as shown and described.

DESCRIPTION

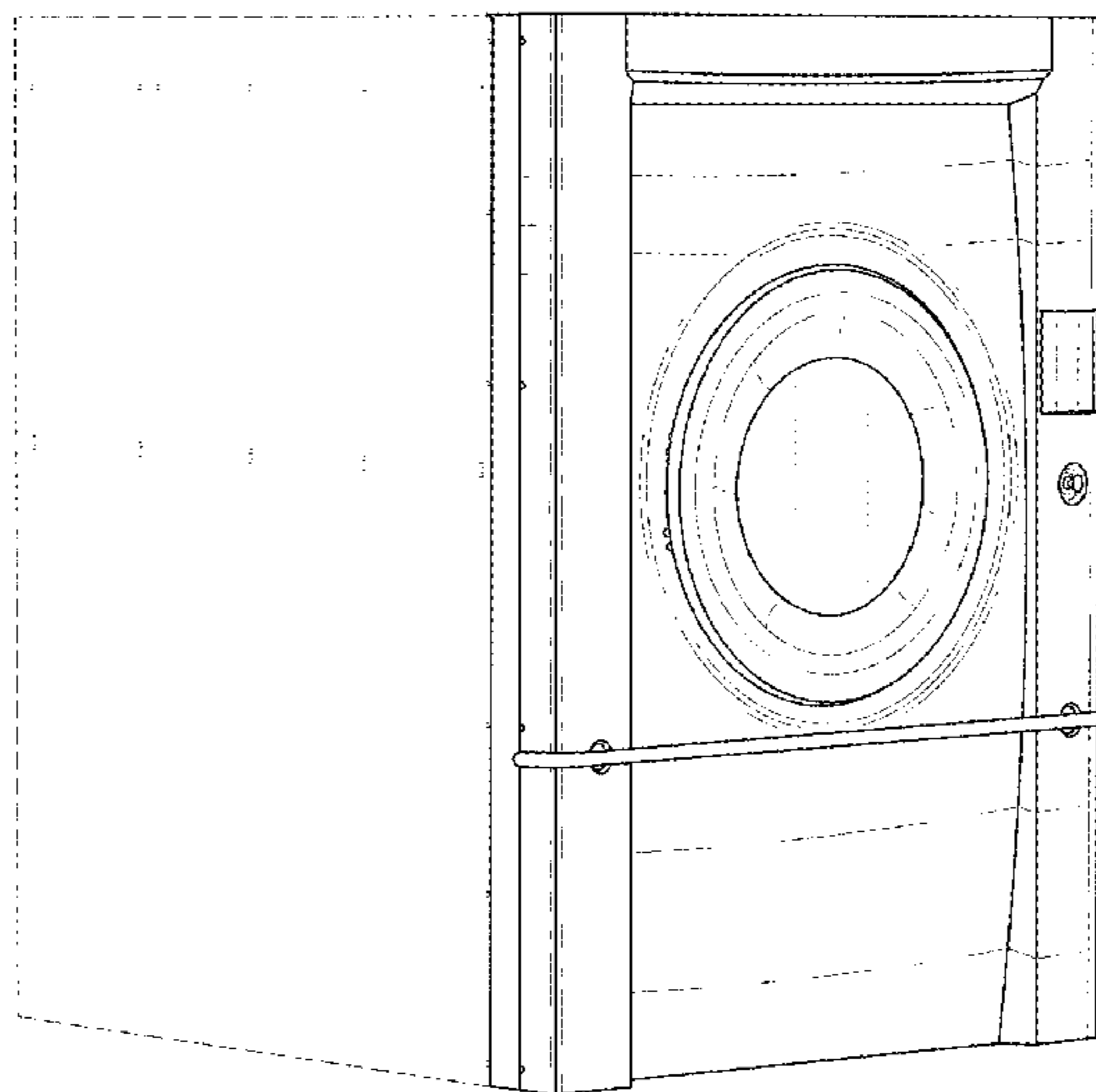
FIG. 1 is a perspective view of the drying machine, showing the front and left sides thereof.
 FIG. 2 is a perspective view thereof, showing the front and right sides.
 FIG. 3 is a perspective view thereof, showing the rear and left sides.
 FIG. 4 is a perspective view thereof, showing the rear and right sides.
 FIG. 5 is a rear view thereof.
 FIG. 6 is a front view thereof.
 FIG. 7 is a right side view thereof.
 FIG. 8 is a left side view thereof.
 FIG. 9 is a perspective view thereof, showing the top, front and right sides.
 FIG. 10 is a perspective view thereof, showing the top, front and left sides; and,
 FIG. 11 is a perspective view thereof, showing the bottom, front and left sides.
 The broken lines are showing portions of the drying machine that form no part of the claimed design.

1 Claim, 11 Drawing Sheets

(56) **References Cited**

U.S. PATENT DOCUMENTS

- D501,966 S * 2/2005 Hwang D32/25
- D506,045 S * 6/2005 No D32/25
- D515,260 S * 2/2006 Ha D32/25
- D544,157 S * 6/2007 Crookshanks D32/25
- D582,107 S * 12/2008 Ha D32/6
- D592,367 S * 5/2009 Crookshanks D32/25
- D616,163 S * 5/2010 Nam D32/25
- D622,918 S * 8/2010 Choi D32/25
- D627,114 S * 11/2010 Jeon D32/6
- D631,623 S * 1/2011 Chung D32/6
- D634,492 S * 3/2011 Chung D32/6
- D635,313 S * 3/2011 Jeon D32/6
- D646,859 S * 10/2011 DeSalvo D32/25
- D688,429 S * 8/2013 Meda D32/25
- D688,430 S * 8/2013 Meda D32/25



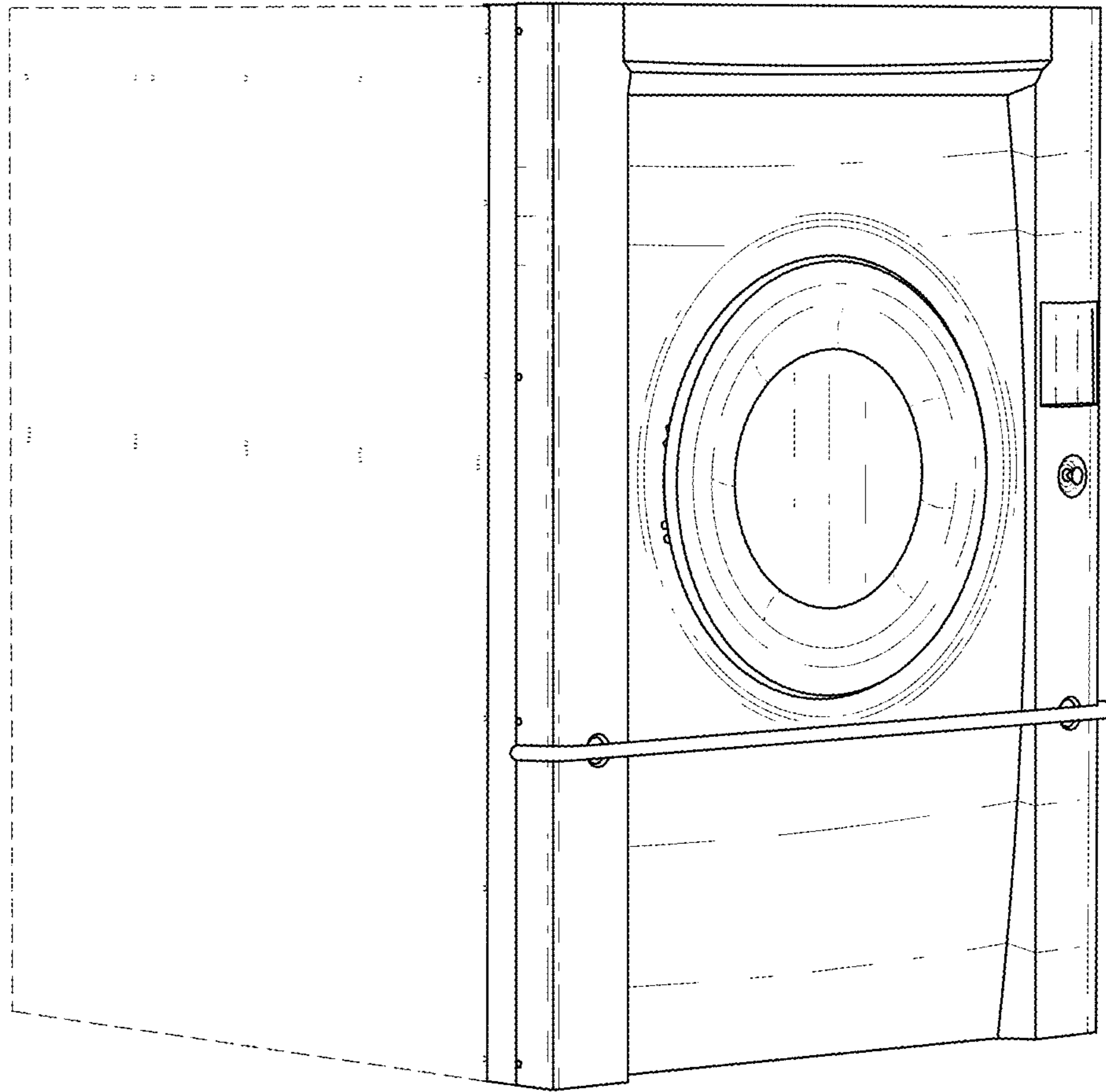


FIG. 1

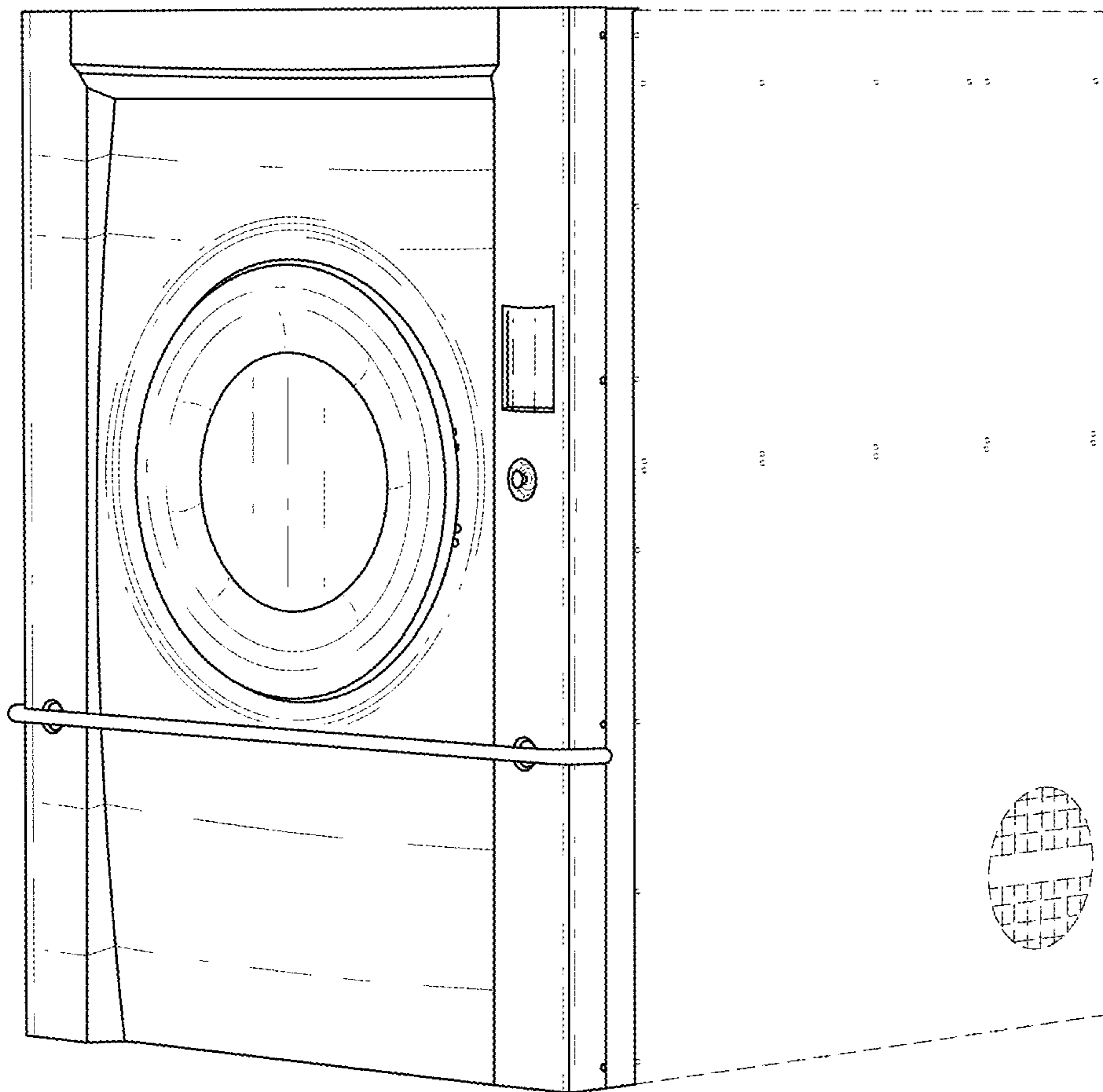


FIG. 2

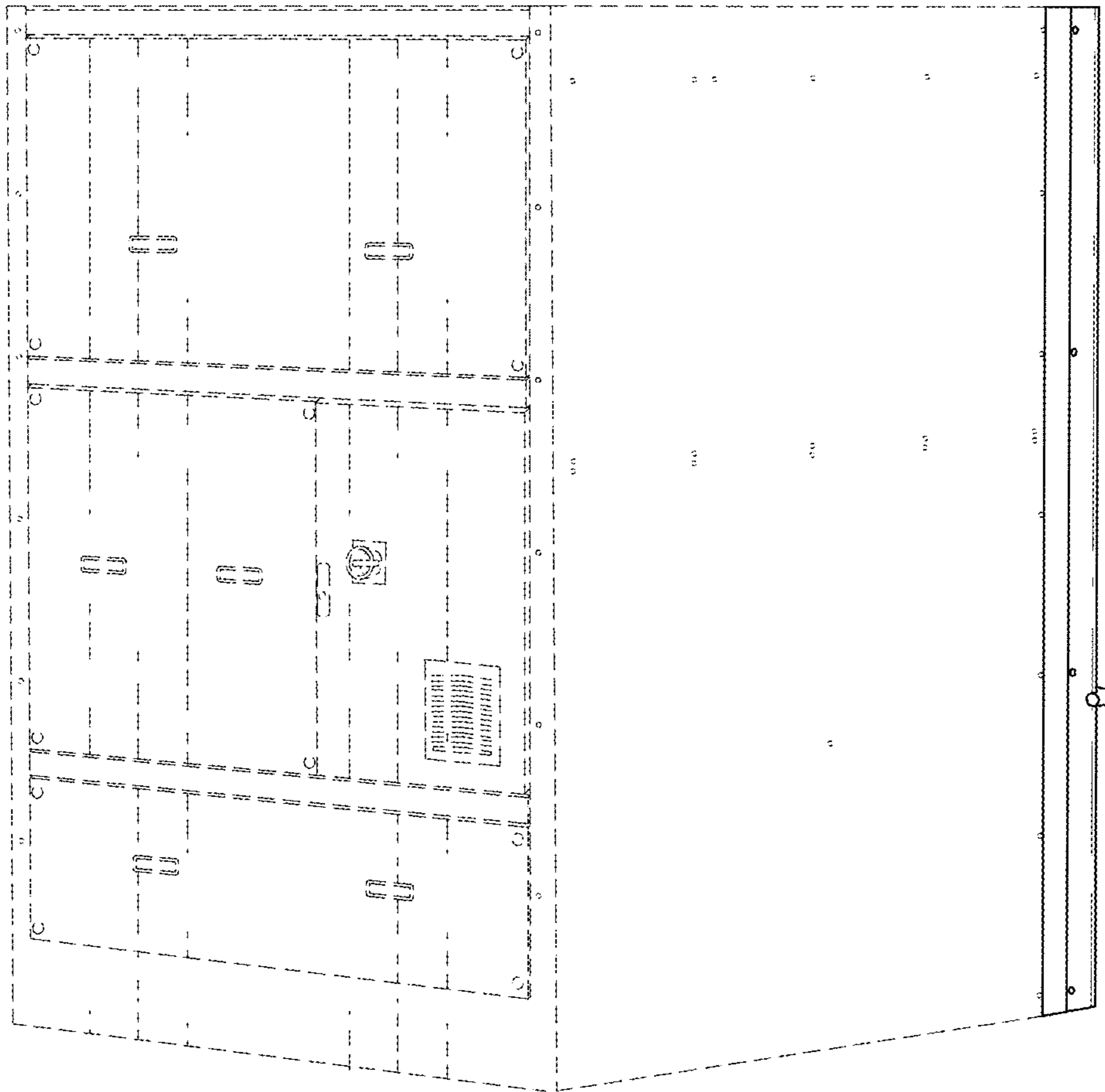


FIG. 3

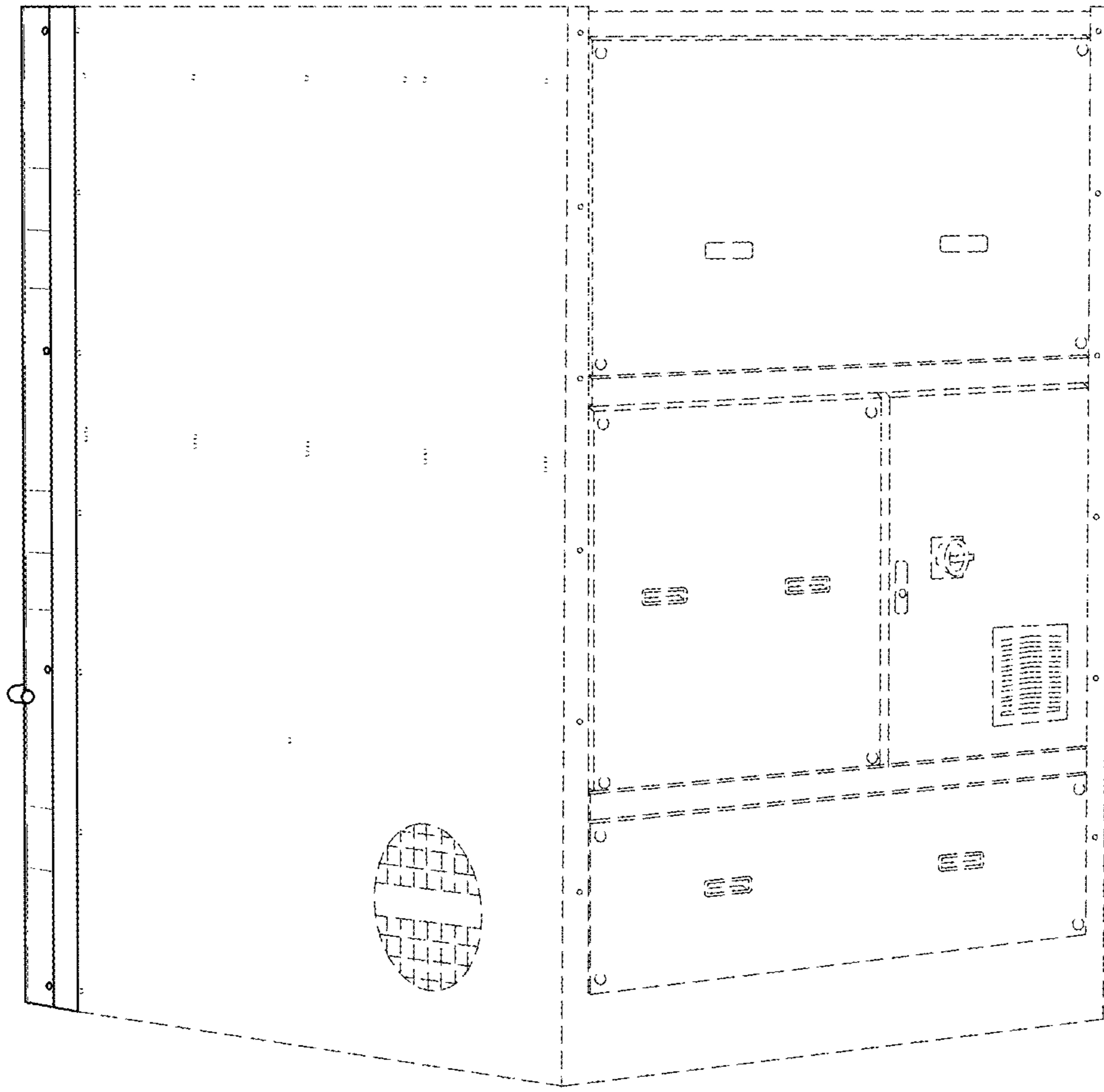


FIG. 4

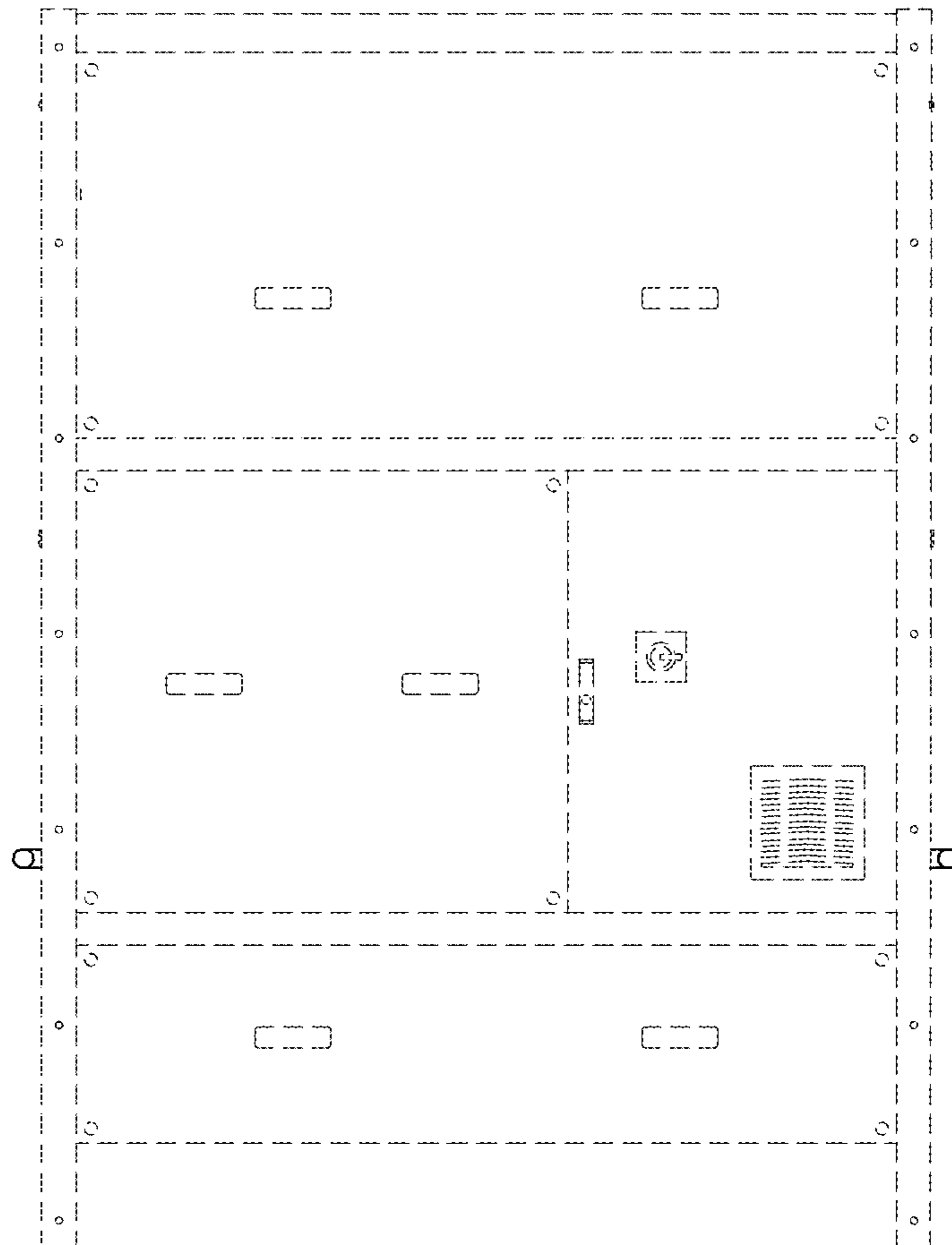


FIG. 5

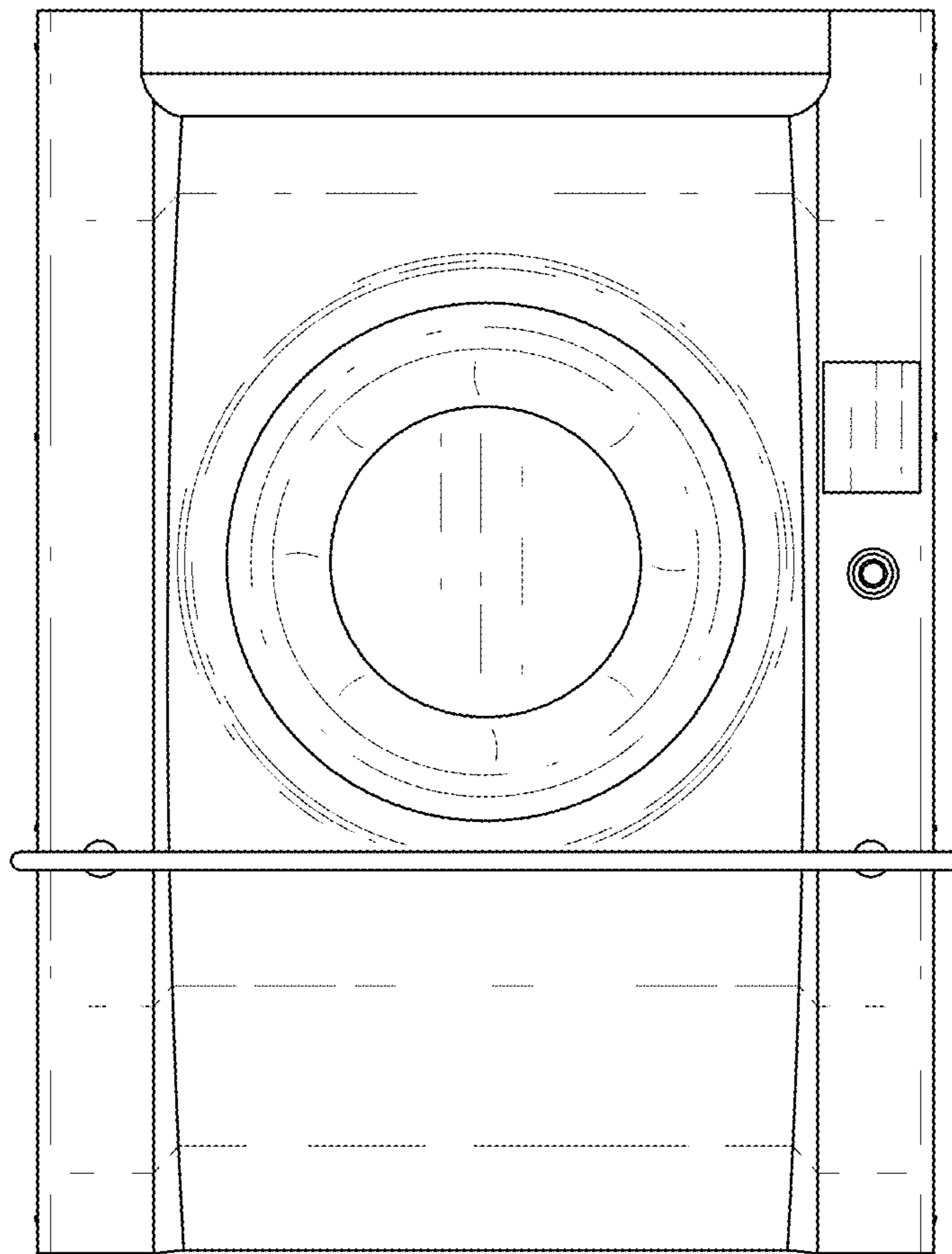


FIG. 6

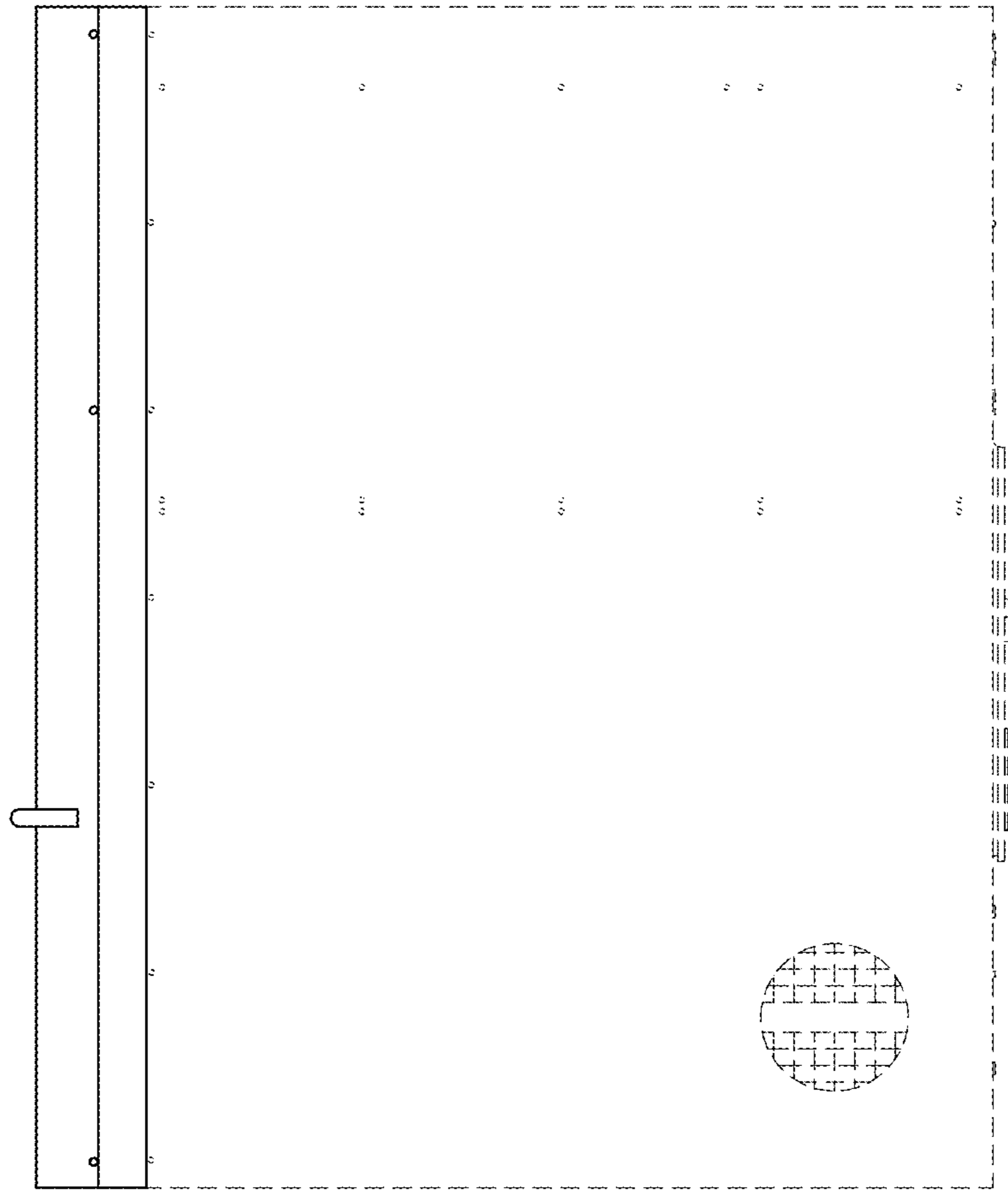


FIG. 7

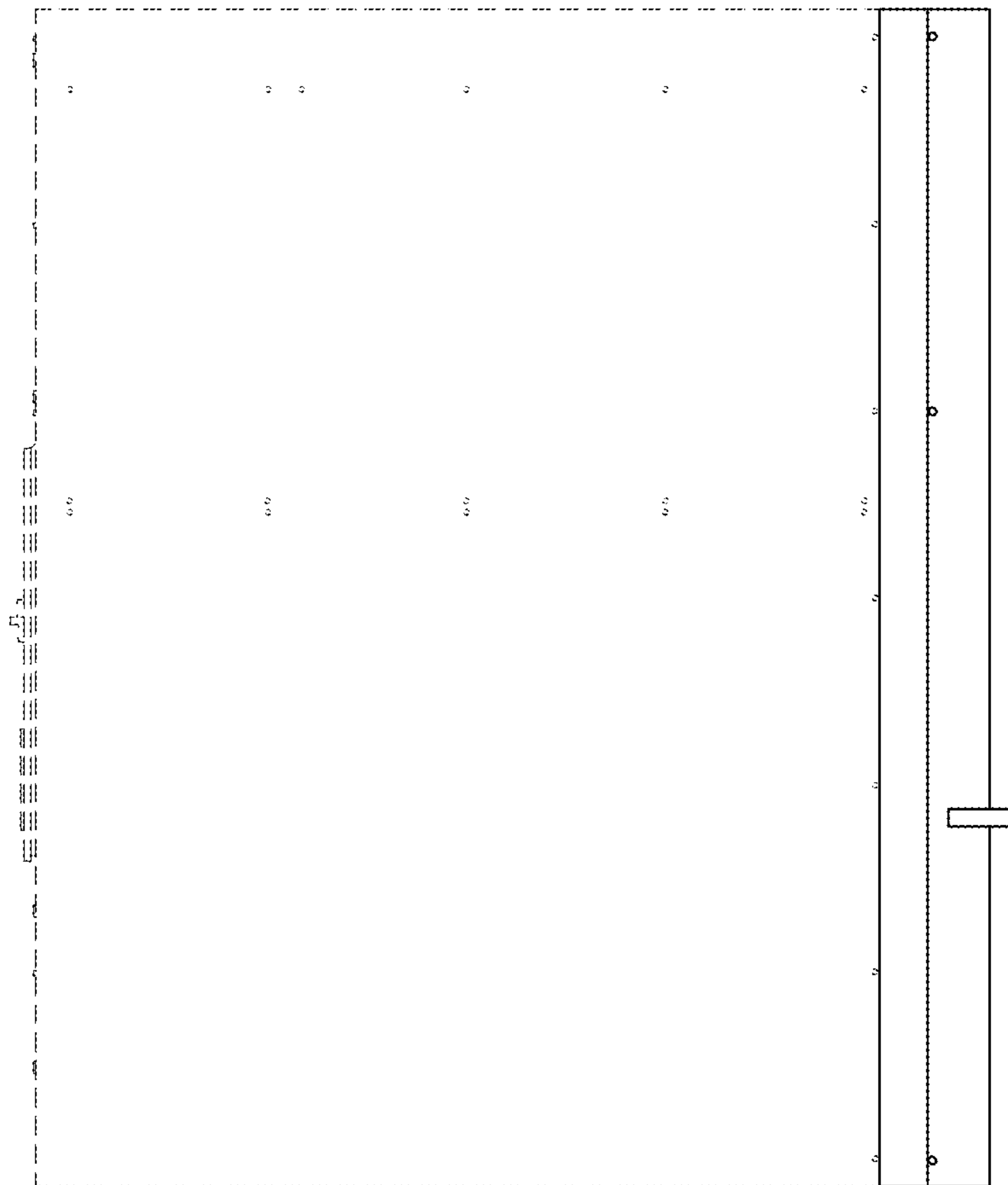


FIG. 8

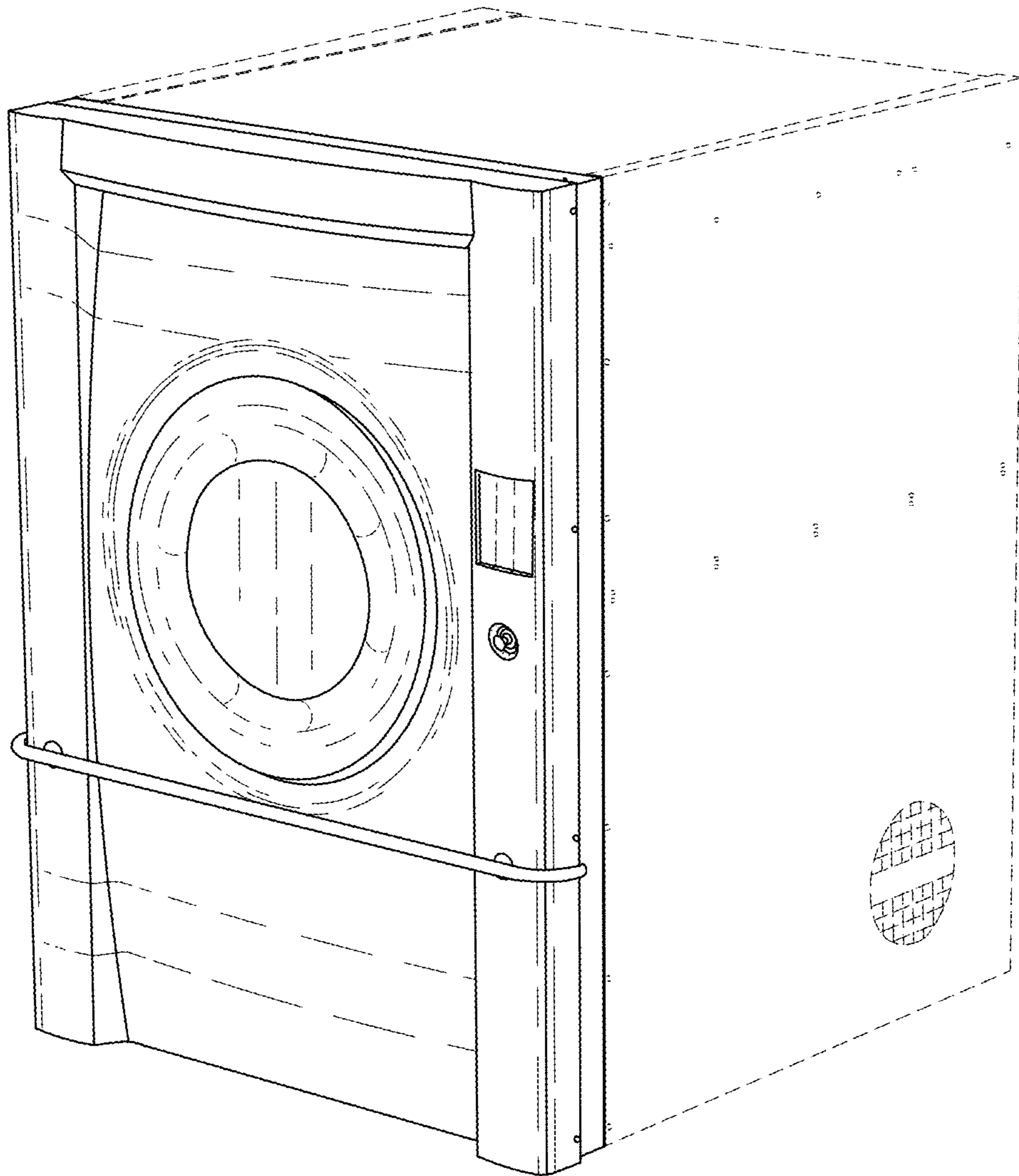


FIG. 9

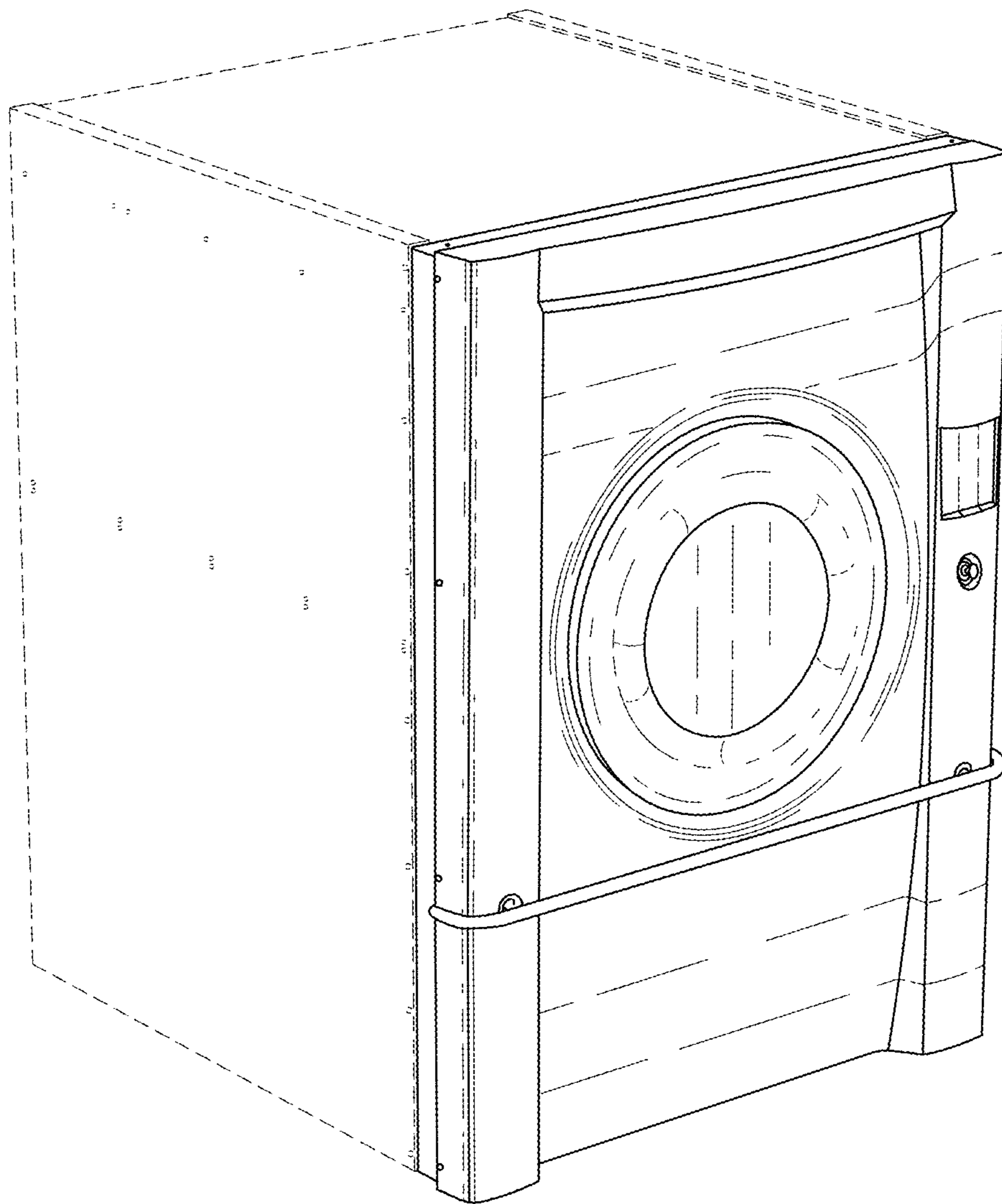


FIG. 10

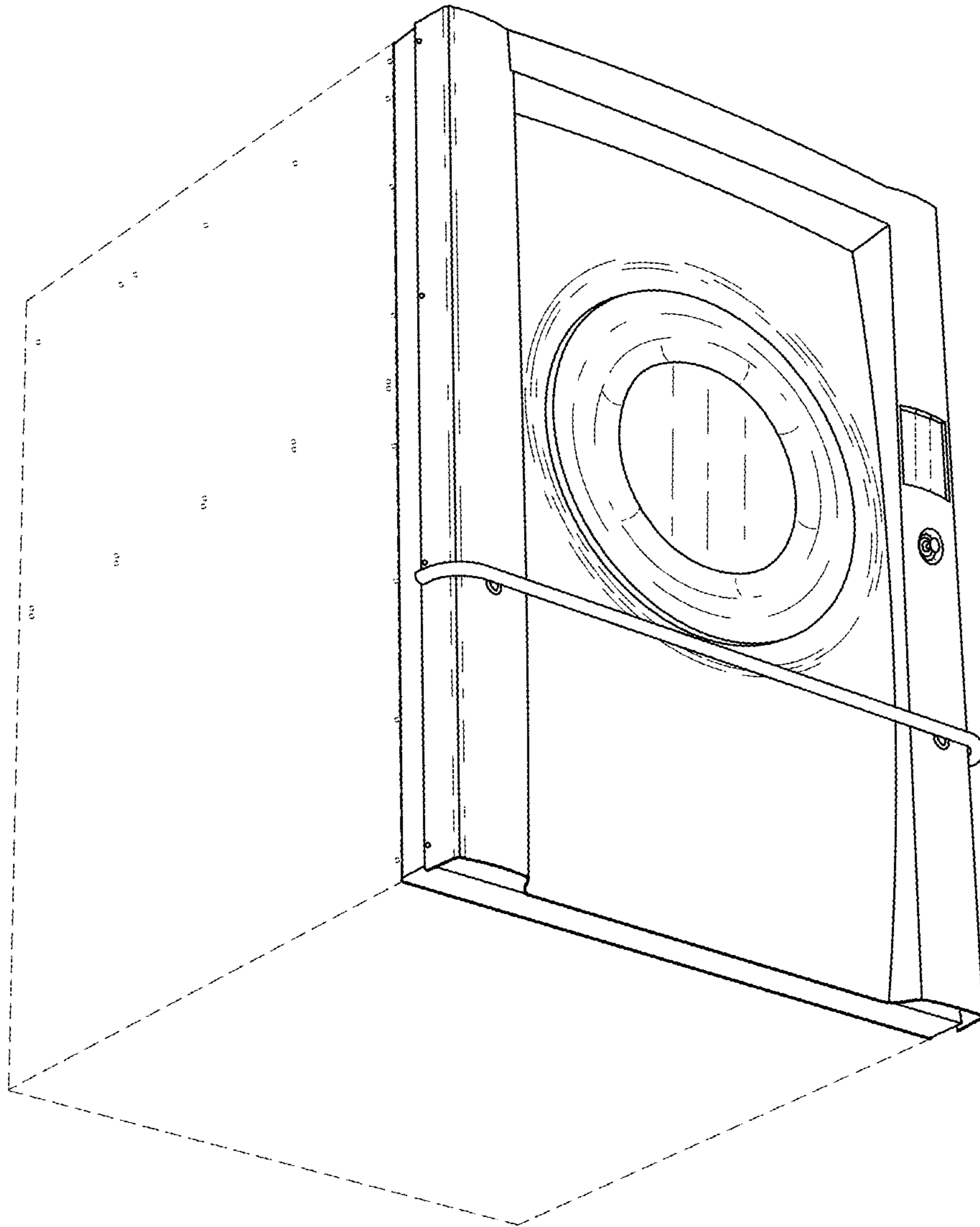


FIG. 11