



US00D815373S

(12) **United States Design Patent**  
**Yao**

(10) **Patent No.:** **US D815,373 S**  
(45) **Date of Patent:** **\*\* Apr. 10, 2018**

(54) **DIGITAL ULTRASONIC CLEANER**

(71) Applicant: **Xingyuan Yao**, Shenzhen (CN)

(72) Inventor: **Xingyuan Yao**, Shenzhen (CN)

(\*\*) Term: **15 Years**

(21) Appl. No.: **29/566,902**

(22) Filed: **Jun. 3, 2016**

(51) **LOC (11) Cl.** ..... **15-05**

(52) **U.S. Cl.**  
USPC ..... **D32/1**

(58) **Field of Classification Search**  
USPC ..... D32/1, 15, 16; D28/9, 73-78; D24/107,  
D24/117, 167, 186, 217; 451/64, 65;  
134/84, 85, 6, 11, 137, 159, 184  
CPC ..... A47L 11/125; A47L 15/0086; A47L  
15/0076; A47L 15/13  
See application file for complete search history.

(56) **References Cited**

**U.S. PATENT DOCUMENTS**

3,640,295	A	*	2/1972	Peterson	.....	B08B 3/12 134/1
D261,423	S	*	10/1981	Geissler	.....	D24/217
D307,653	S	*	5/1990	Weirsman	.....	D32/1
D315,039	S	*	2/1991	Wortham	.....	D32/1
D322,337	S	*	12/1991	Padgett	.....	D32/1
D593,262	S	*	5/2009	Gong	.....	D24/217
D633,663	S	*	3/2011	Choi	.....	D32/1
D678,634	S	*	3/2013	Liao	.....	D32/1
D685,540	S	*	7/2013	Yao	.....	D32/1
D688,839	S	*	8/2013	Helm	.....	D32/1
D704,349	S	*	5/2014	Williams	.....	D24/217

D748,872	S	*	2/2016	Yao	.....	D32/1
D763,521	S	*	8/2016	Yao	.....	D32/1
D778,004	S	*	1/2017	Yao	.....	D32/1
D778,005	S	*	1/2017	Yao	.....	D32/1

\* cited by examiner

*Primary Examiner* — Susan Bennett Hattan  
*Assistant Examiner* — Rebecca Tsehaye  
(74) *Attorney, Agent, or Firm* — Gokalp Bayramoglu

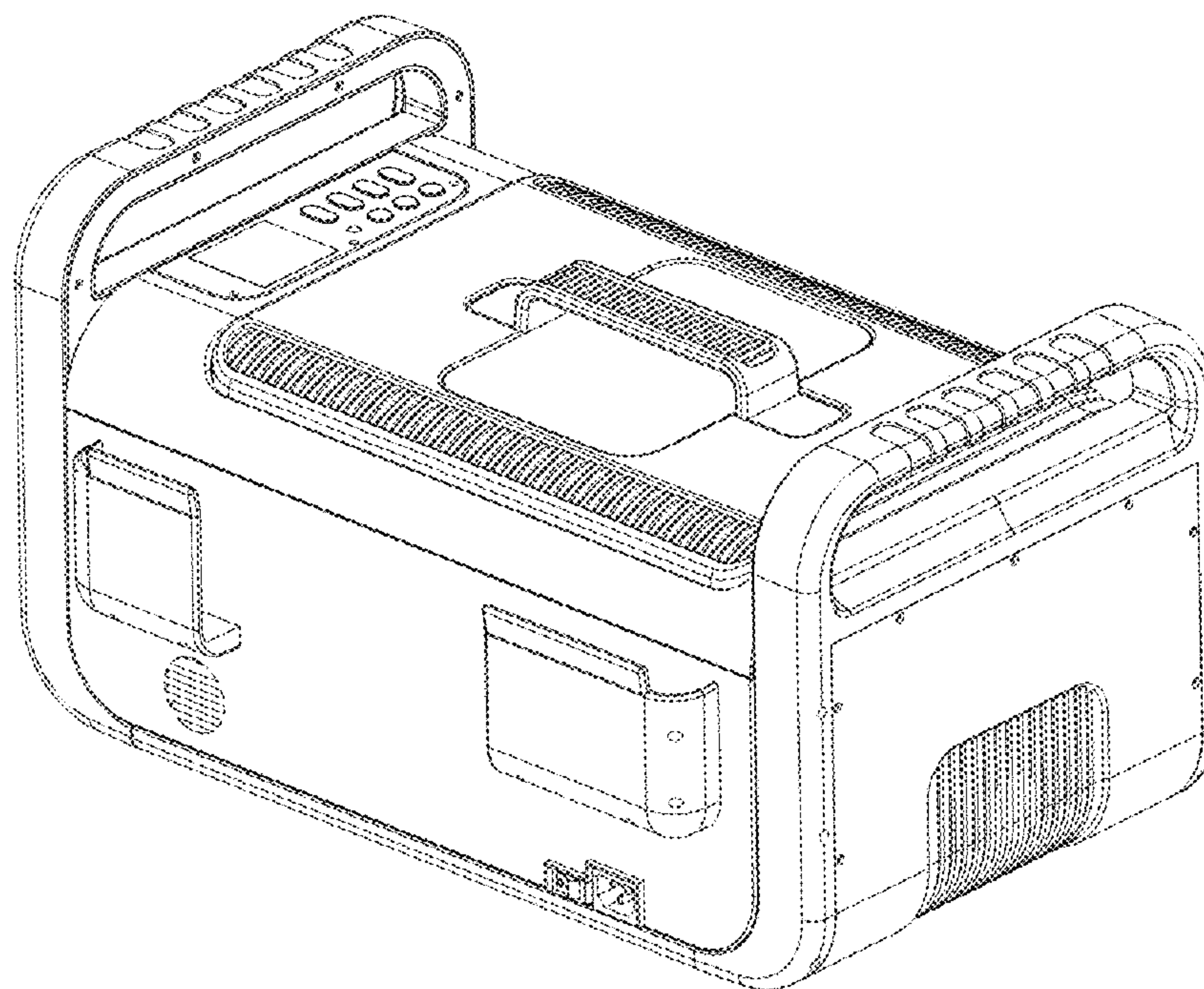
(57) **CLAIM**

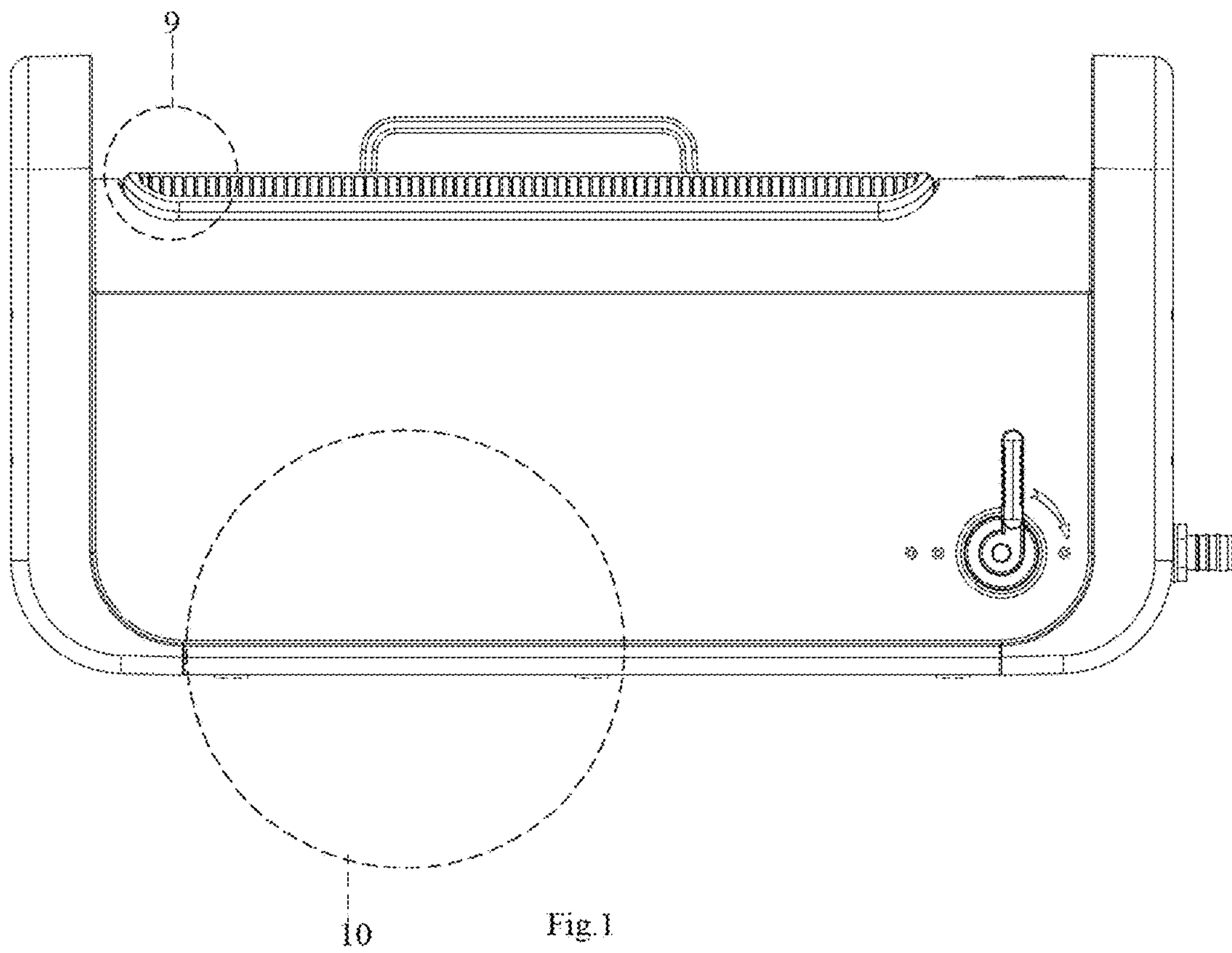
The ornamental design for a digital ultrasonic cleaner, as shown and described.

**DESCRIPTION**

FIG. 1 is a front view of the digital ultrasonic cleaner.  
FIG. 2 is a rear view of the digital ultrasonic cleaner.  
FIG. 3 is a left side view of the digital ultrasonic cleaner.  
FIG. 4 is a right side view of the digital ultrasonic cleaner.  
FIG. 5 is a top view of the digital ultrasonic cleaner.  
FIG. 6 is a bottom view of the digital ultrasonic cleaner.  
FIG. 7 is a front perspective view of the digital ultrasonic cleaner.  
FIG. 8 is a rear perspective view of the digital ultrasonic cleaner.  
FIG. 9 is an expanded view of an upper portion of the digital ultrasonic cleaner thereof; and,  
FIG. 10 is an expended view of a lower portion of the digital ultrasonic cleaner thereof.  
The broken lines in the drawings depict portions of the digital ultrasonic cleaner that form no part of the claimed design.

**1 Claim, 10 Drawing Sheets**





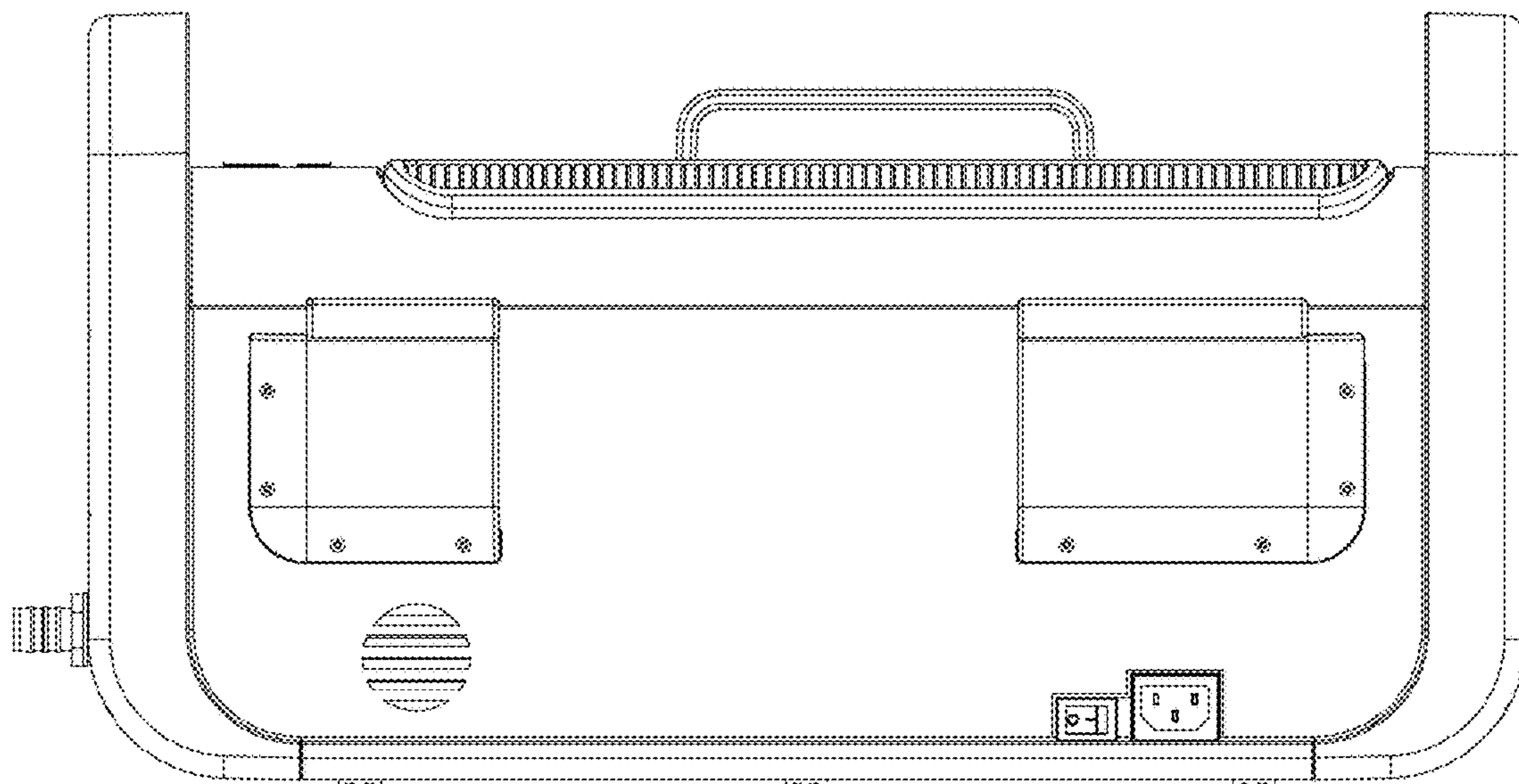


Fig.2

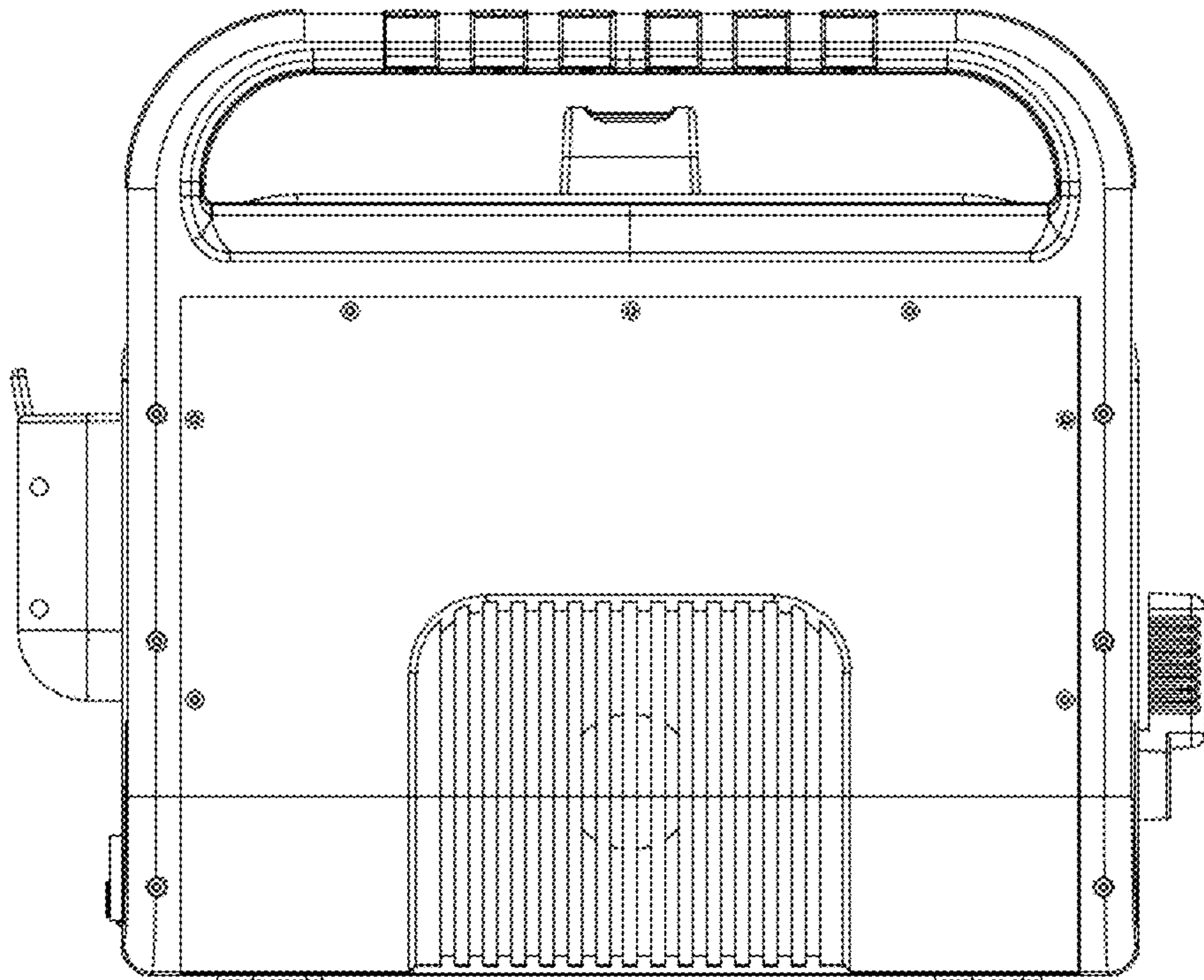


Fig.3



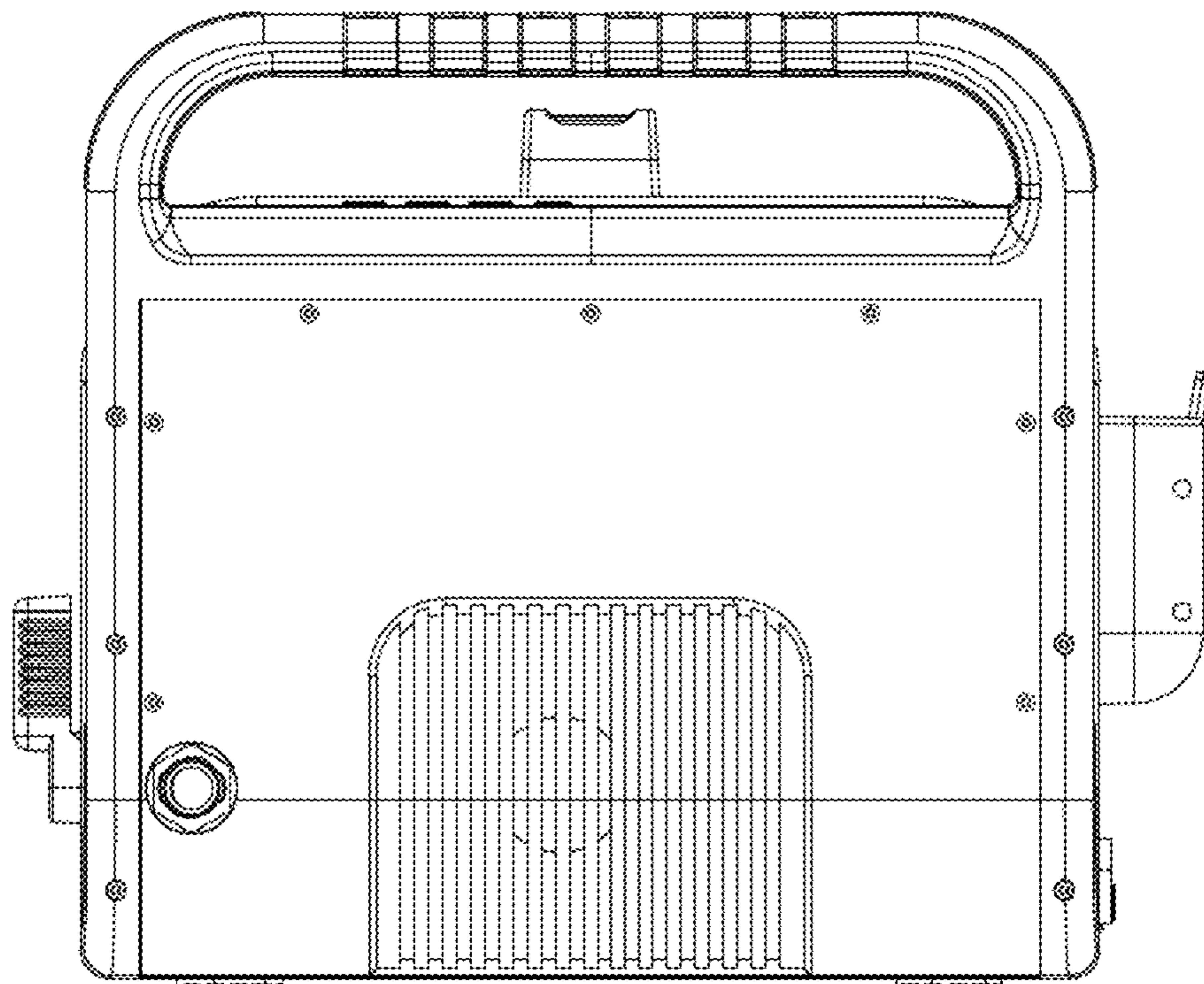


Fig.4

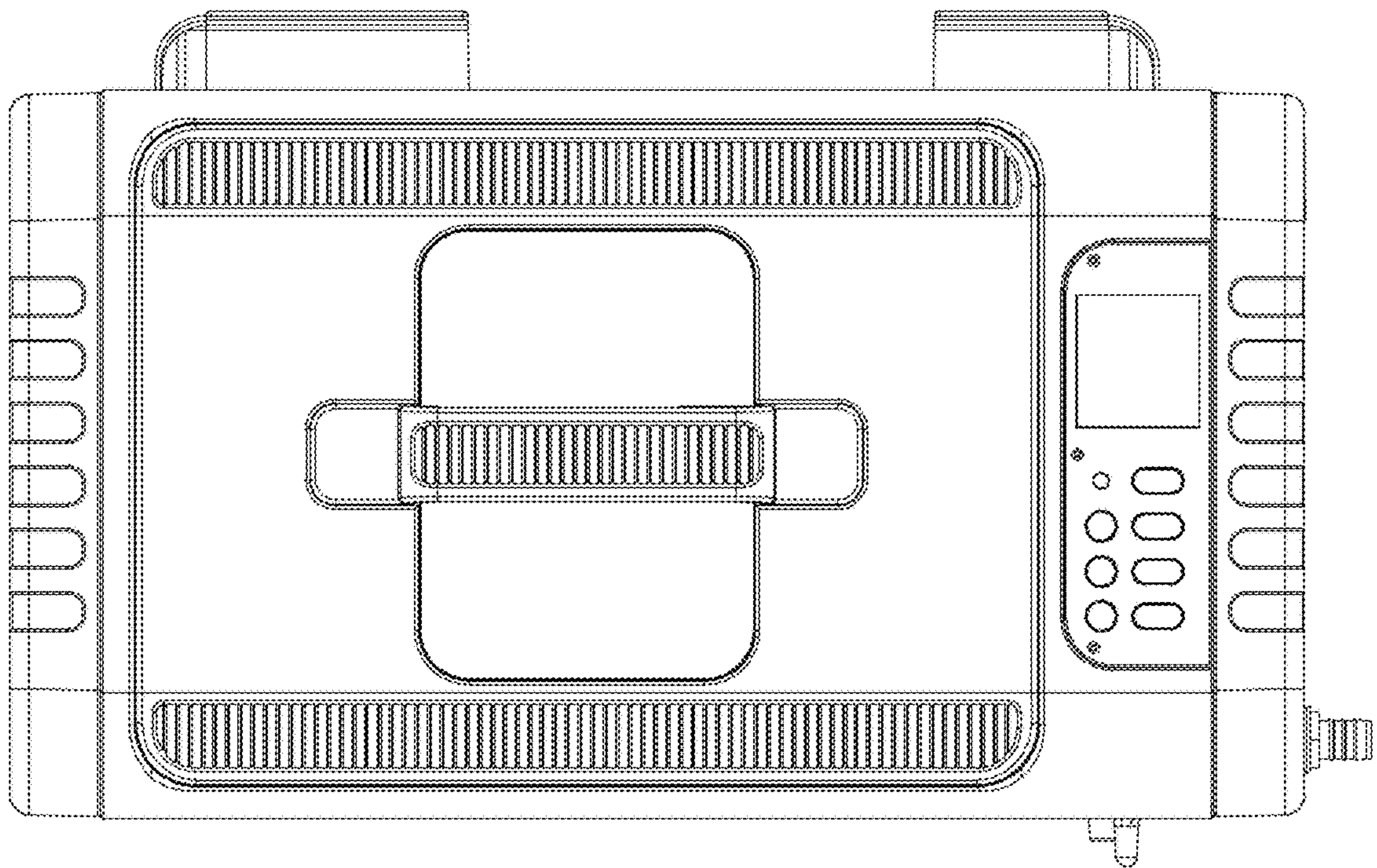


Fig. 5

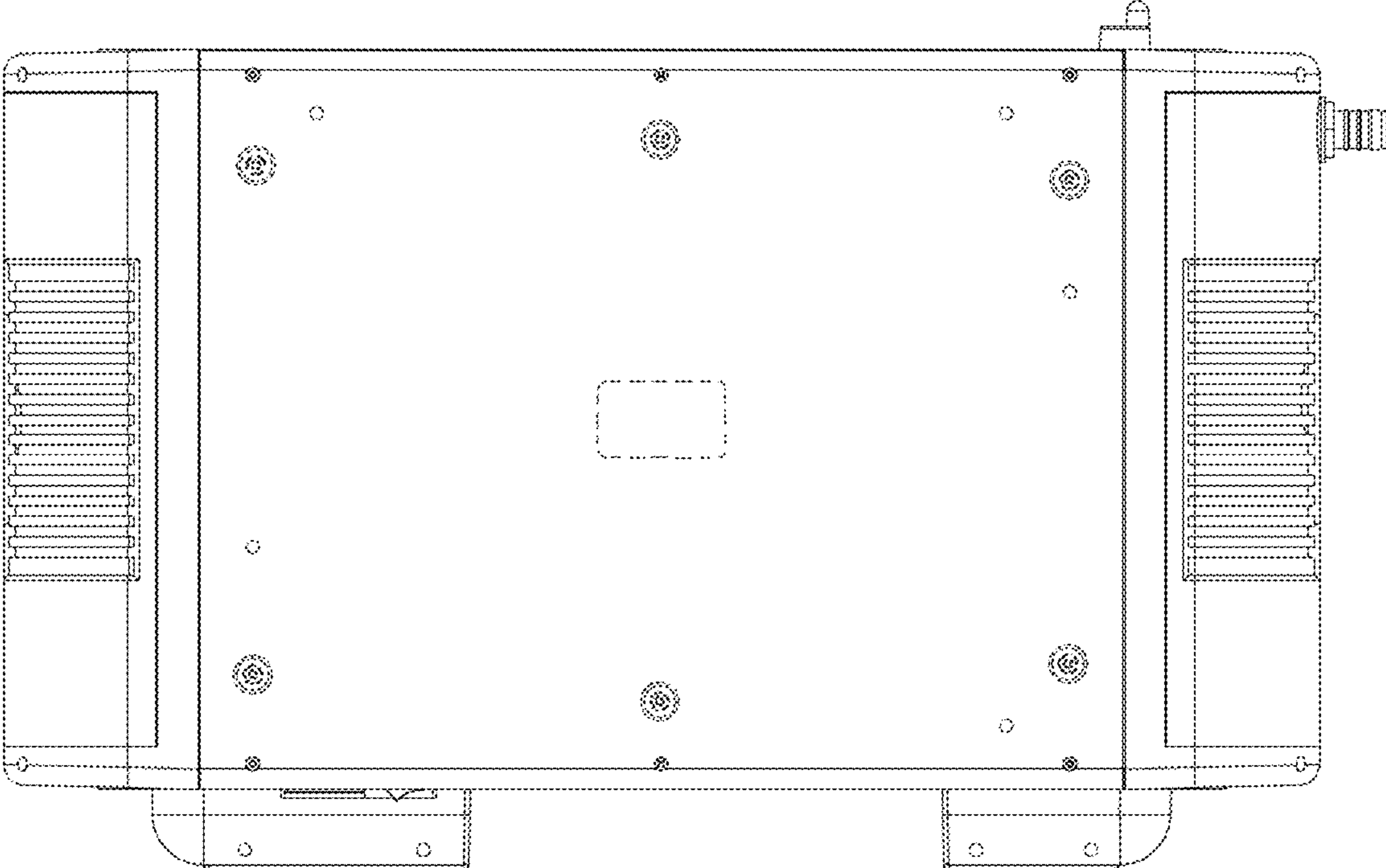


Fig.6

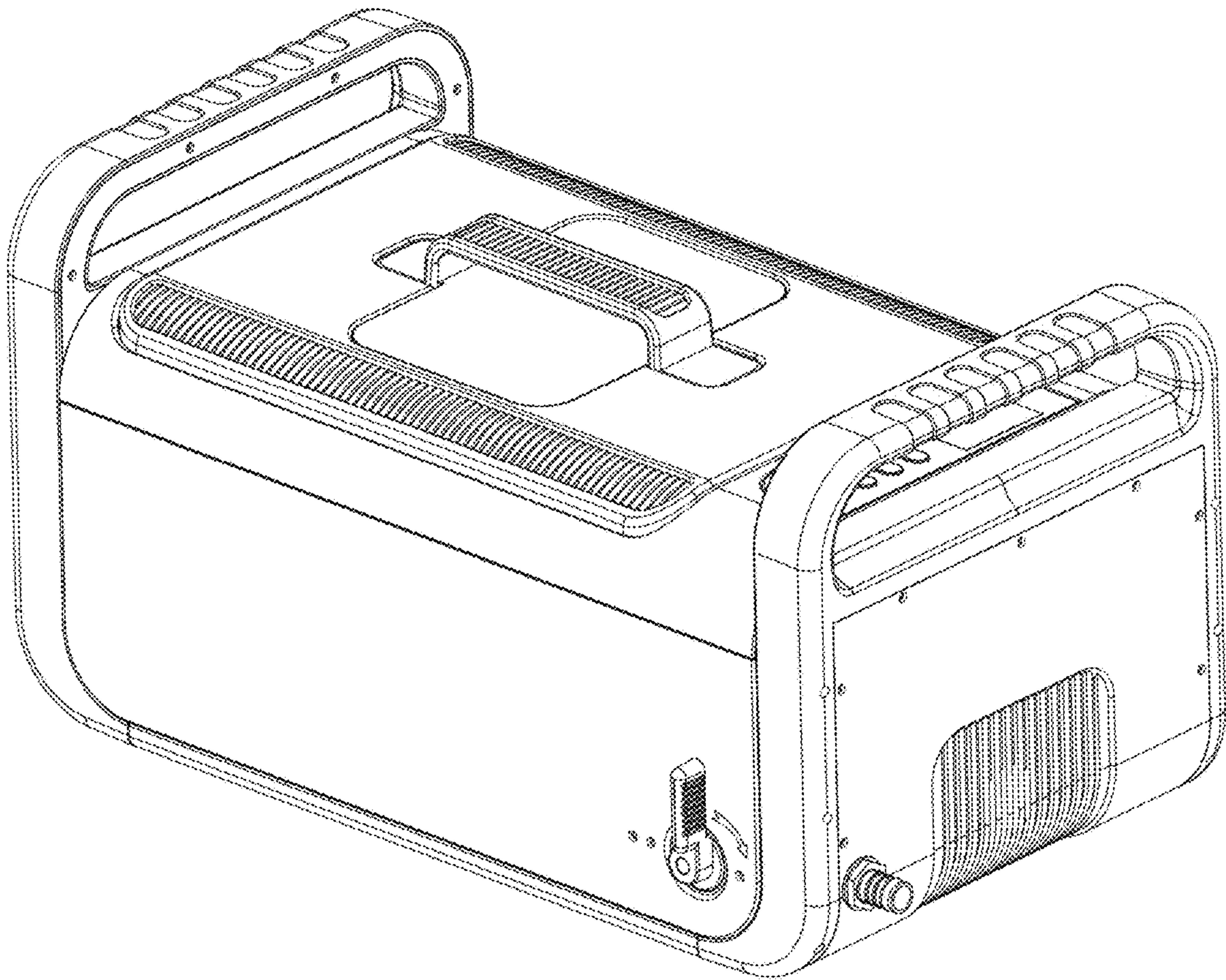


Fig.7



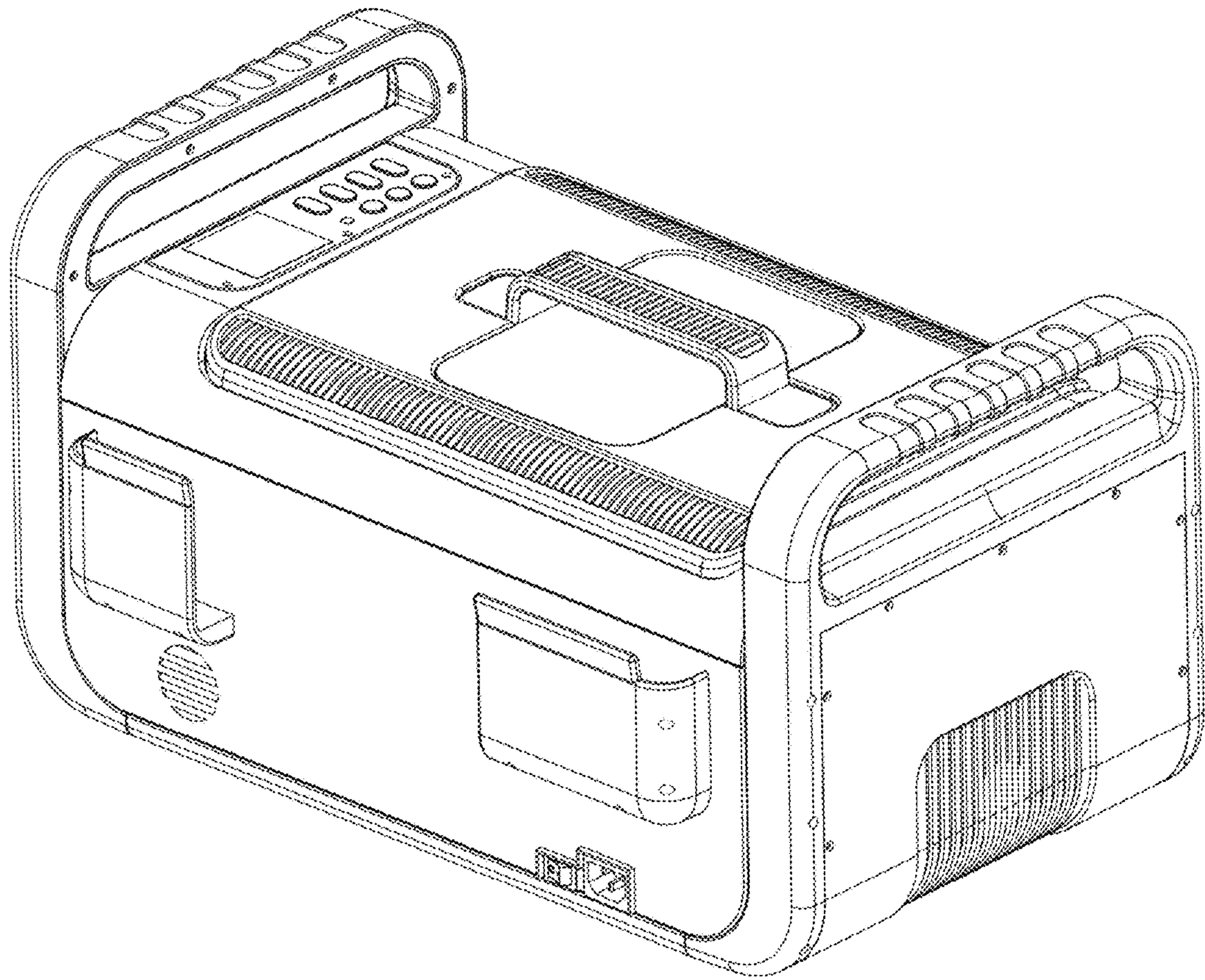


Fig. 8

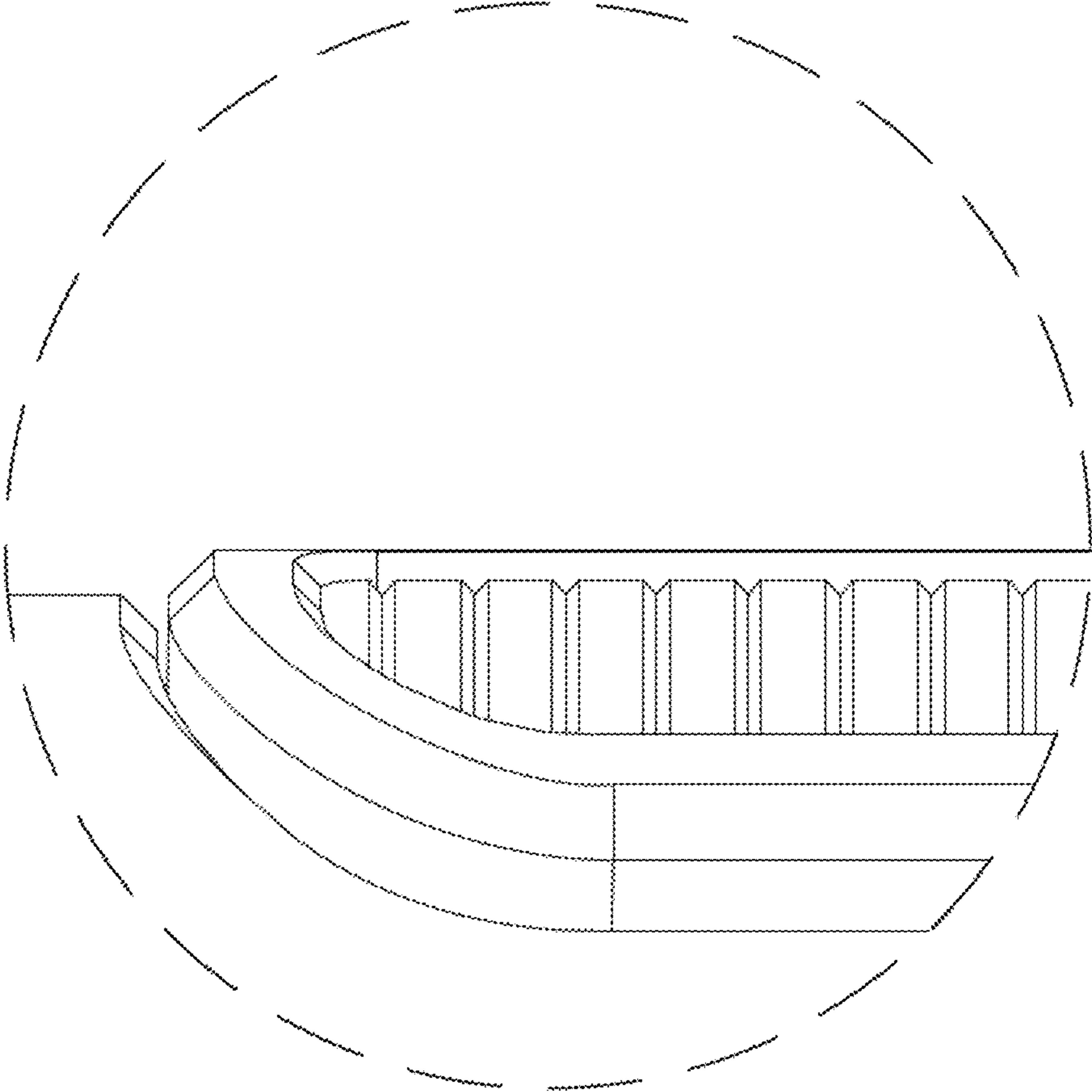


Fig.9

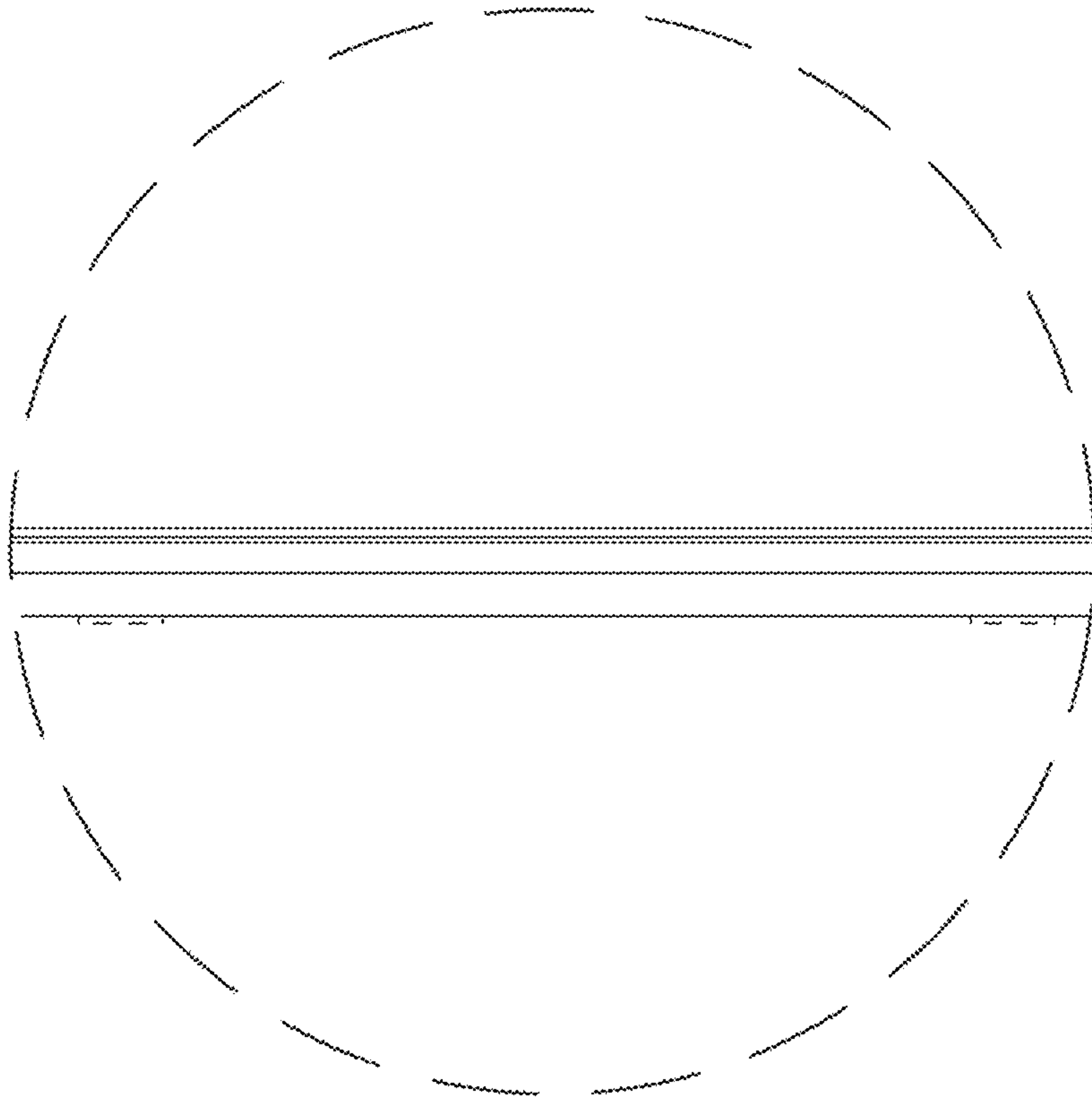


Fig. 10