



US00D815372S

(12) **United States Design Patent** (10) **Patent No.:** **US D815,372 S**
Goetzl et al. (45) **Date of Patent:** **** Apr. 10, 2018**

(54) **HANDHELD TRANSMITTER FOR A PET TRAINER**

(71) Applicant: **RADIO SYSTEMS CORPORATION**,
Knoxville, TN (US)

(72) Inventors: **Brent A. Goetzl**, Ocinda, CA (US);
Aaron L. Russell, Knoxville, TN (US)

(73) Assignee: **RADIO SYSTEMS CORPORATION**,
Knoxville, TN (US)

(**) Term: **15 Years**

(21) Appl. No.: **29/595,974**

(22) Filed: **Mar. 3, 2017**

(51) **LOC (11) Cl.** **30-99**

(52) **U.S. Cl.**
USPC **D30/199; D10/104.1**

(58) **Field of Classification Search**
USPC D30/199, 155; 119/718-721, 712, 905,
119/908, 859; D10/104.1, 106.1, 104.2,
D10/106.3; D14/137, 496, 218, 159;
340/573.3, 573.1, 384.2, 825.76, 538.15,
340/538.16, 539.1, 539.11, 539.14,
340/539.15, 539.16, 539.17, 539.18,
340/539.19, 572.7, 572.8, 572.9, 573.2,
340/573.4; D13/168
CPC .. A01K 15/021; A01K 15/022; A01K 15/023;
A01K 15/029; A01K 15/04; A01K 15/00;
A01K 15/02; A01K 15/006; A01K
27/009; A01K 29/005; A01K 29/00
See application file for complete search history.

(56) **References Cited**

U.S. PATENT DOCUMENTS

D383,745 S 9/1997 Lindeman et al.
D387,758 S 12/1997 Oross et al.
D416,252 S * 11/1999 Haase D14/137
D426,166 S 6/2000 Ferron et al.
(Continued)

OTHER PUBLICATIONS

Screen shots taken from www.petsafe.net for Adventure Dog
Trainer remote trainer (accessed Feb. 1, 2017).
(Continued)

Primary Examiner — Susan Moon Lee
(74) *Attorney, Agent, or Firm* — Baker, Donelson,
Bearman, Caldwell & Berkowitz, PC

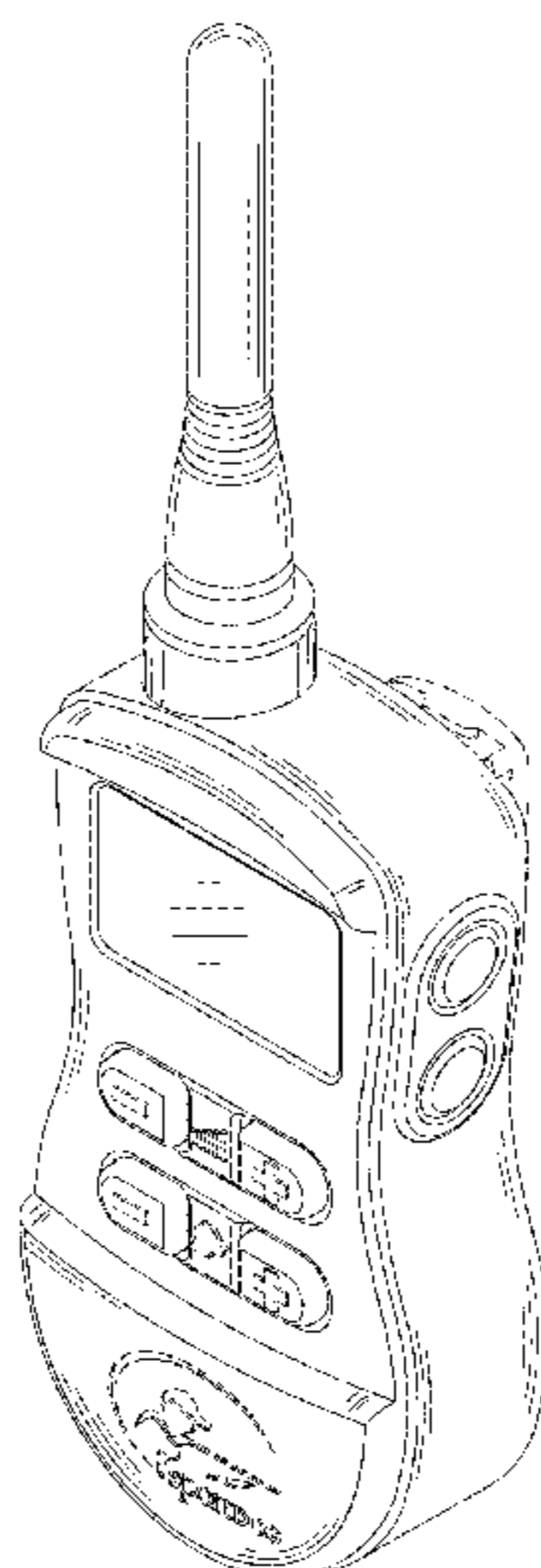
(57) **CLAIM**

The ornamental design for a handheld transmitter for a pet
trainer, as shown and described.

DESCRIPTION

FIG. 1 is a top, right and front perspective view showing our
new design for a transmitter for a pet trainer, in a first
embodiment.
FIG. 2 is a front elevational view of the transmitter of FIG.
1.
FIG. 3 is a rear elevational view thereof.
FIG. 4 is a right side elevational view thereof.
FIG. 5 is a left side elevational view thereof.
FIG. 6 is a top plan view thereof.
FIG. 7 is a bottom plan view thereof.
FIG. 8 is a top, right and front perspective view showing our
new design for a transmitter for a pet trainer, in a second
embodiment.
FIG. 9 is a front elevational view of the transmitter of FIG.
8.
FIG. 10 is a rear elevational view thereof.
FIG. 11 is a right side elevational view thereof.
FIG. 12 is a left side elevational view thereof.
FIG. 13 is a top plan view thereof; and,
FIG. 14 is a bottom plan view thereof.
The structural features shown in broken lines have been
shown for the purpose of illustrating portions of the trans-
mitter for a pet trainer that form no part of the claimed
design.

1 Claim, 8 Drawing Sheets



(56)

References Cited

U.S. PATENT DOCUMENTS

D433,395 S 11/2000 Wong
 D434,401 S * 11/2000 Haase D14/137
 D445,706 S 7/2001 Myers et al.
 D446,195 S * 8/2001 Chamberlain D14/137
 D451,836 S 12/2001 Fleetwood et al.
 D452,684 S * 1/2002 Sedan D14/137
 D462,916 S 9/2002 Fleetwood et al.
 6,474,269 B2 * 11/2002 So A01K 15/021
 119/719
 D469,708 S 2/2003 To
 6,598,563 B2 * 7/2003 Kim A01K 15/021
 119/719
 D480,698 S * 10/2003 Slipy D14/147
 D482,630 S 11/2003 So
 D487,026 S 2/2004 Fleetwood et al.
 D493,776 S * 8/2004 Esslinger D14/137
 D494,944 S * 8/2004 Esslinger D14/137
 D500,486 S 1/2005 Zeitman
 D510,077 S 9/2005 Oh
 D510,333 S 10/2005 Lodato et al.
 D545,790 S 7/2007 Jameson et al.
 D545,791 S 7/2007 Jameson et al.
 7,249,572 B2 7/2007 Goetzl
 D554,607 S * 11/2007 Mukai D14/137
 D571,768 S 6/2008 Shi et al.
 D573,564 S 7/2008 Goetzl et al.
 D576,124 S * 9/2008 Nishizawa D14/137
 D600,225 S * 9/2009 Woon D14/137
 D607,855 S * 1/2010 Nakagawa D14/137
 7,667,607 B2 2/2010 Gerig et al.
 D615,438 S 5/2010 Goetzl et al.
 7,712,438 B2 5/2010 Reinhart
 D631,027 S * 1/2011 Li D14/138 AA
 8,011,327 B2 9/2011 Mainini et al.
 8,069,823 B2 12/2011 Mainini et al.
 8,098,164 B2 1/2012 Gerig et al.
 D659,304 S 5/2012 Vatka et al.
 8,181,607 B2 5/2012 Kim
 8,342,134 B2 1/2013 Lee, IV et al.
 D685,757 S * 7/2013 Liu D14/155
 D700,148 S * 2/2014 Paul D13/168
 8,714,113 B2 5/2014 Lee, IV et al.

D711,848 S * 8/2014 Liu D14/155
 8,803,692 B2 8/2014 Goetzl et al.
 8,823,513 B2 9/2014 Jameson et al.
 D719,708 S 12/2014 Ye
 D721,861 S 1/2015 Guo
 D725,323 S 3/2015 Fang et al.
 D725,324 S 3/2015 Schrick
 D736,486 S 8/2015 Goetzl et al.
 D737,004 S 8/2015 Russell et al.
 D759,908 S 6/2016 Russell et al.
 D774,935 S * 12/2016 Liu D10/104.1
 2005/0145196 A1 7/2005 Crist et al.
 2008/0036610 A1 2/2008 Hokuf et al.
 2008/0163827 A1 7/2008 Goetzl
 2009/0012355 A1 1/2009 Lin
 2010/0154721 A1 6/2010 Gerig
 2012/0272924 A1 11/2012 So
 2013/0118418 A1 * 5/2013 Lalor A01K 15/021
 119/720
 2015/0040839 A1 2/2015 Goetzl

OTHER PUBLICATIONS

Screen shots taken from www.petsafe.net for Elite Big Dog Remote Trainer (accessed Feb. 1, 2017).
 Screen shots taken from www.petsafe.net for Elite Little Dog Remote Trainer (accessed Feb. 1, 2017).
 Screen shots taken from www.dogtra.com for Dogtra Pathfinderr Tracking and Training Collar (accessed Feb. 21, 2017).
 Screen shots taken from www.dogtra.com for Dogtra 2500 Training and Beeper Collar (accessed Feb. 21, 2017).
 Screen shots taken from www.garmin.com for Garmin Astro 320 Sporting Dog Tracking System (accessed Feb. 21, 2017).
 Screen shots taken from www.garmin.com for Garmin Astro 100 Sporting Dog Tracking and Training System (accessed Feb. 21, 2017).
 Screen shots taken from www.sportdog.com for SportDog Tek Series 2.0 GPS + E-Collar (accessed Feb. 21, 2017).
 Screen shots taken from www.sportdog.com for SportDog Tek Series 1.0 GPS + E-Collar (accessed Feb. 21, 2017).
 Screen shots taken from www.cabelas.com for Cabela's Gun Dog GS-4000 Dog Training Collar (accessed Feb. 21, 2017).

* cited by examiner

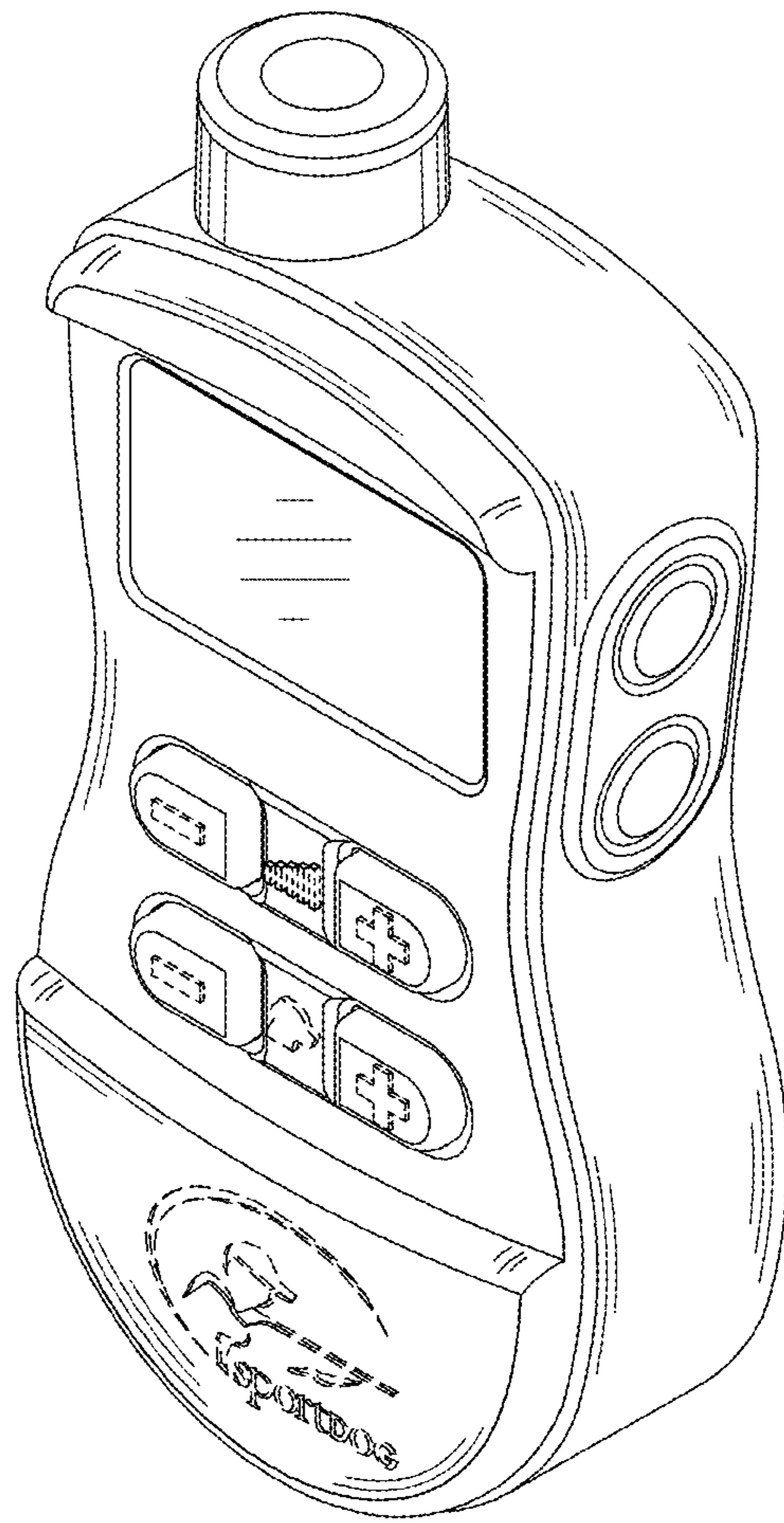


FIG. 1

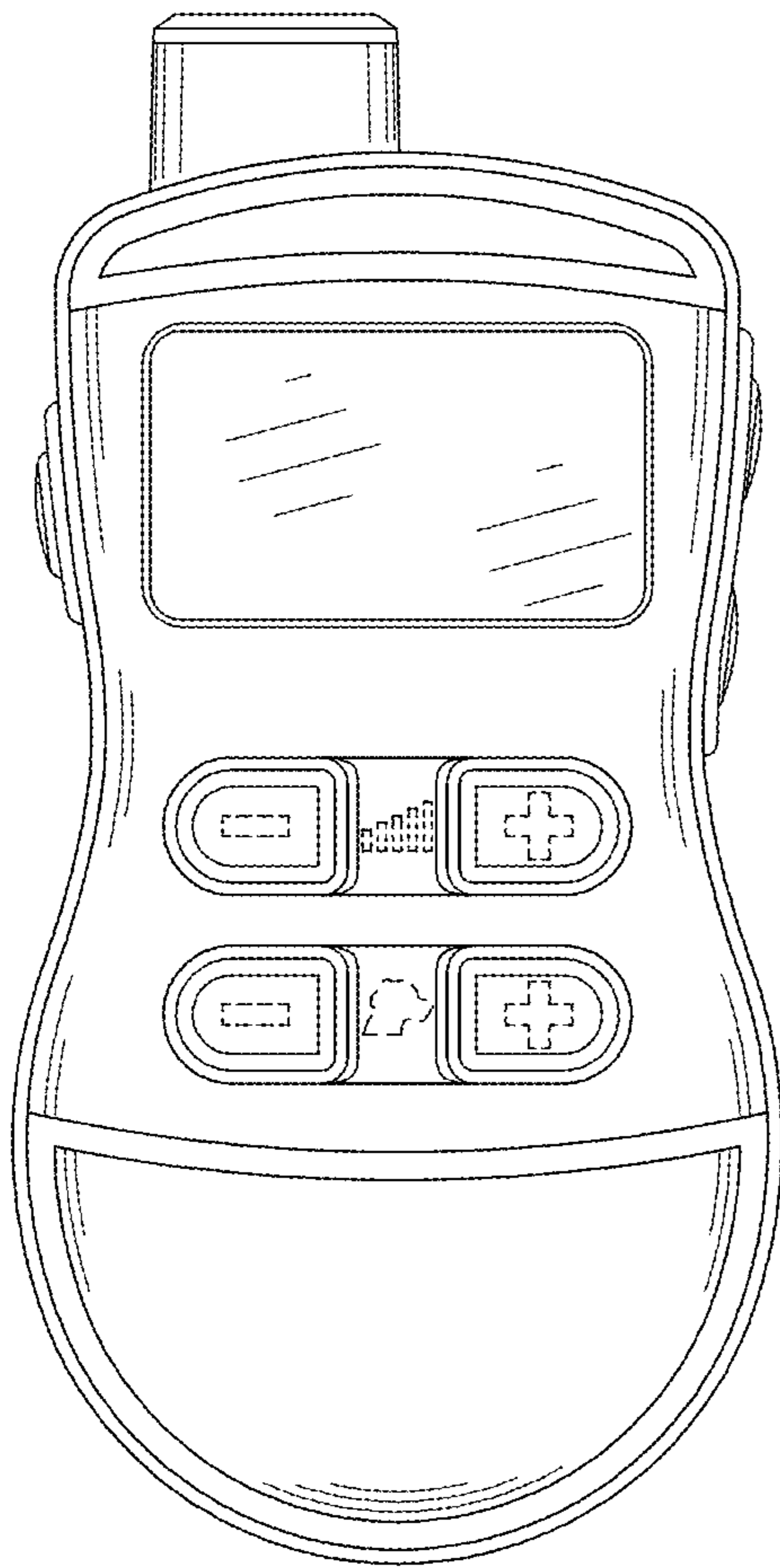


FIG. 2

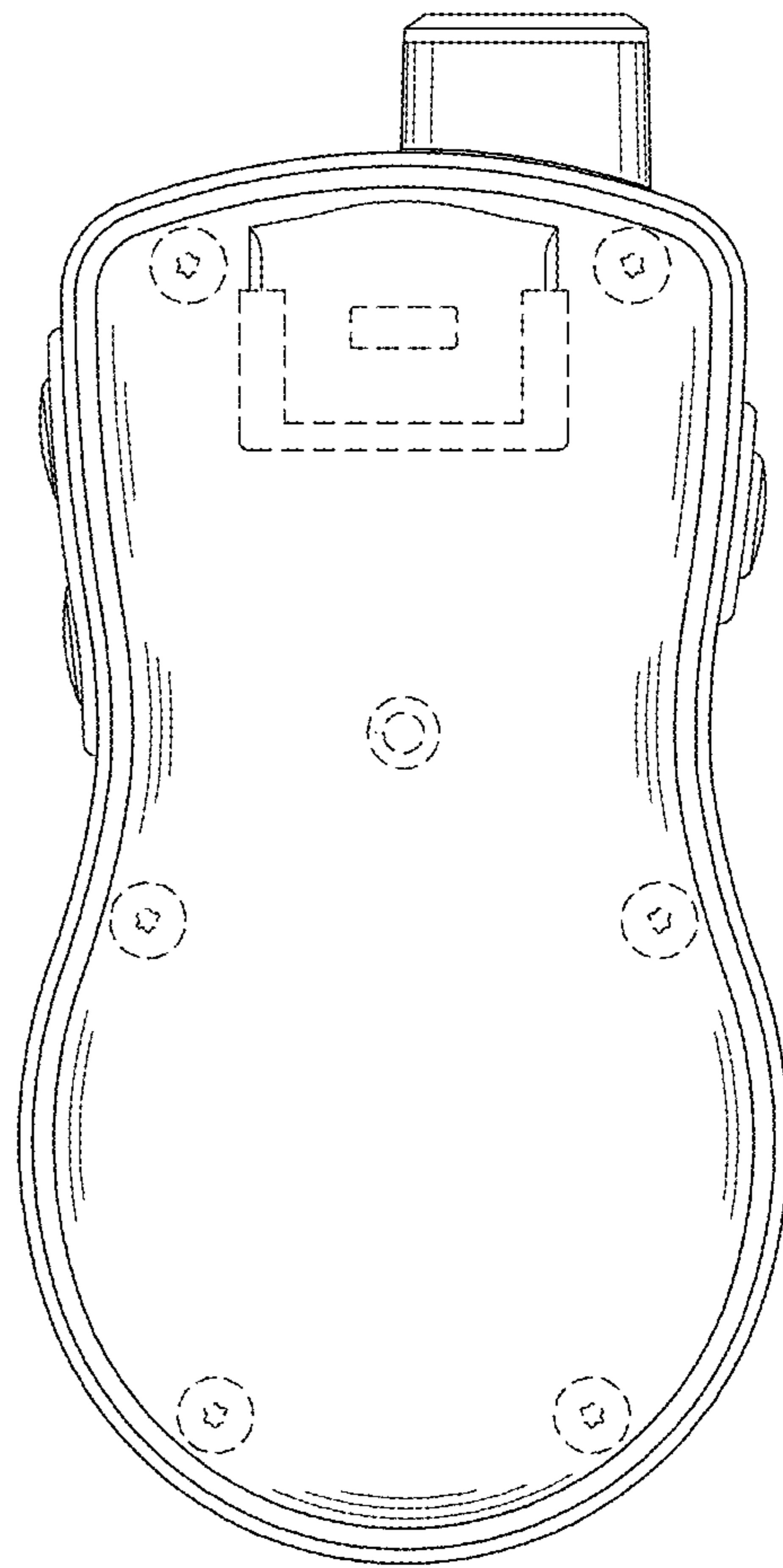


FIG. 3

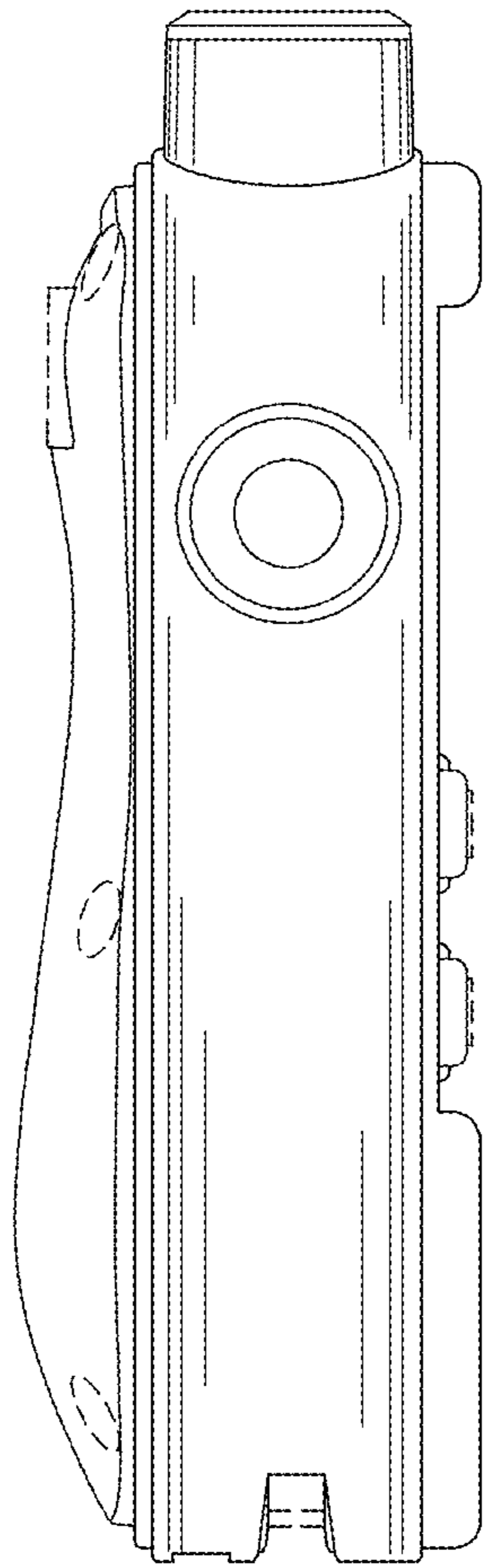


FIG. 4

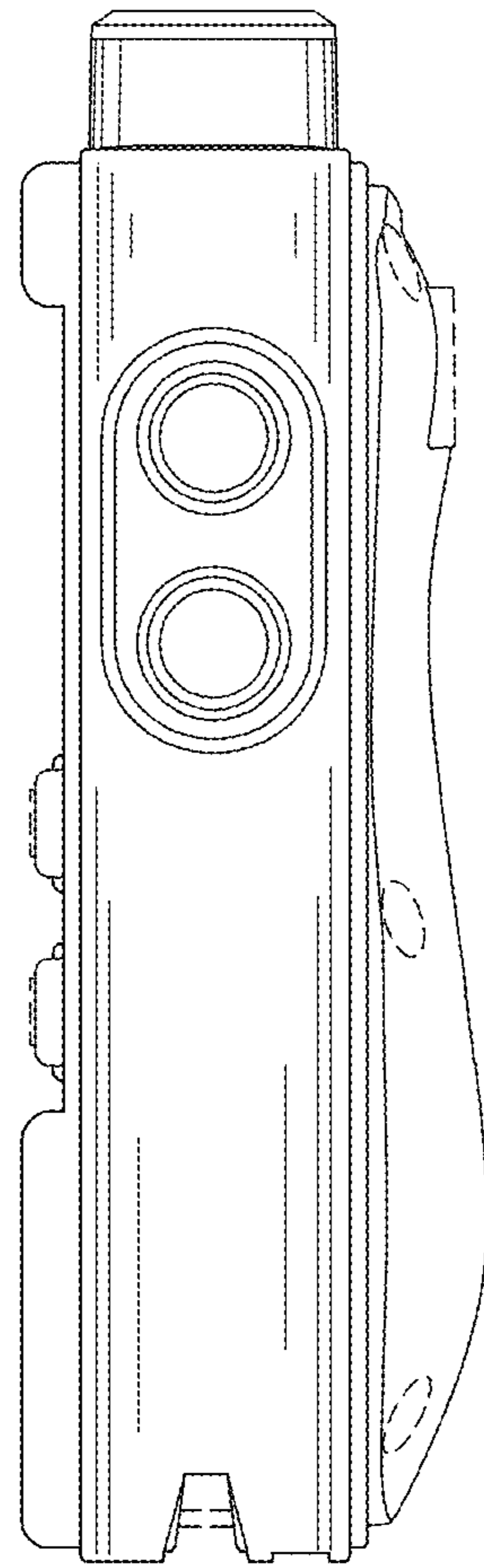


FIG. 5

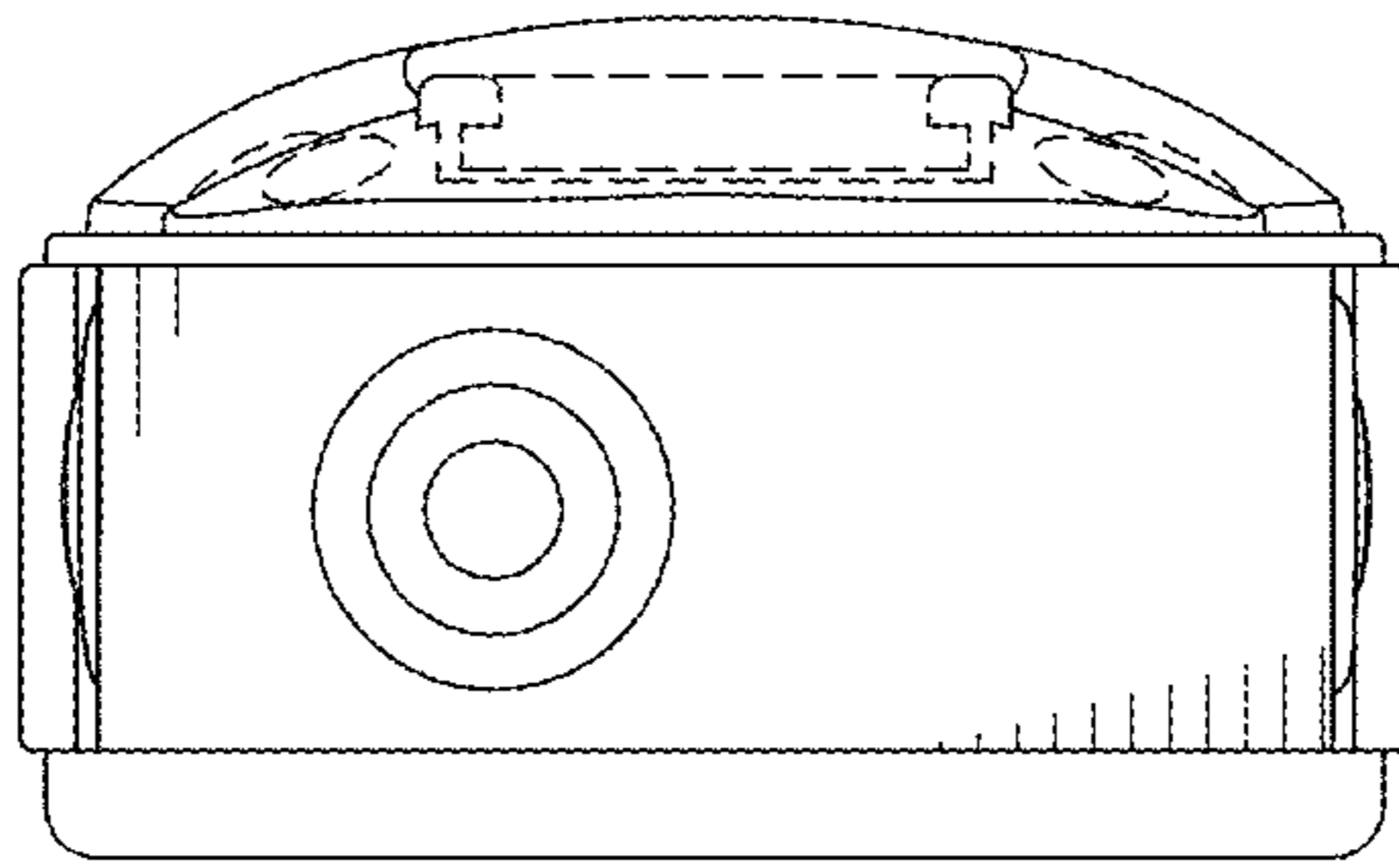


FIG. 6

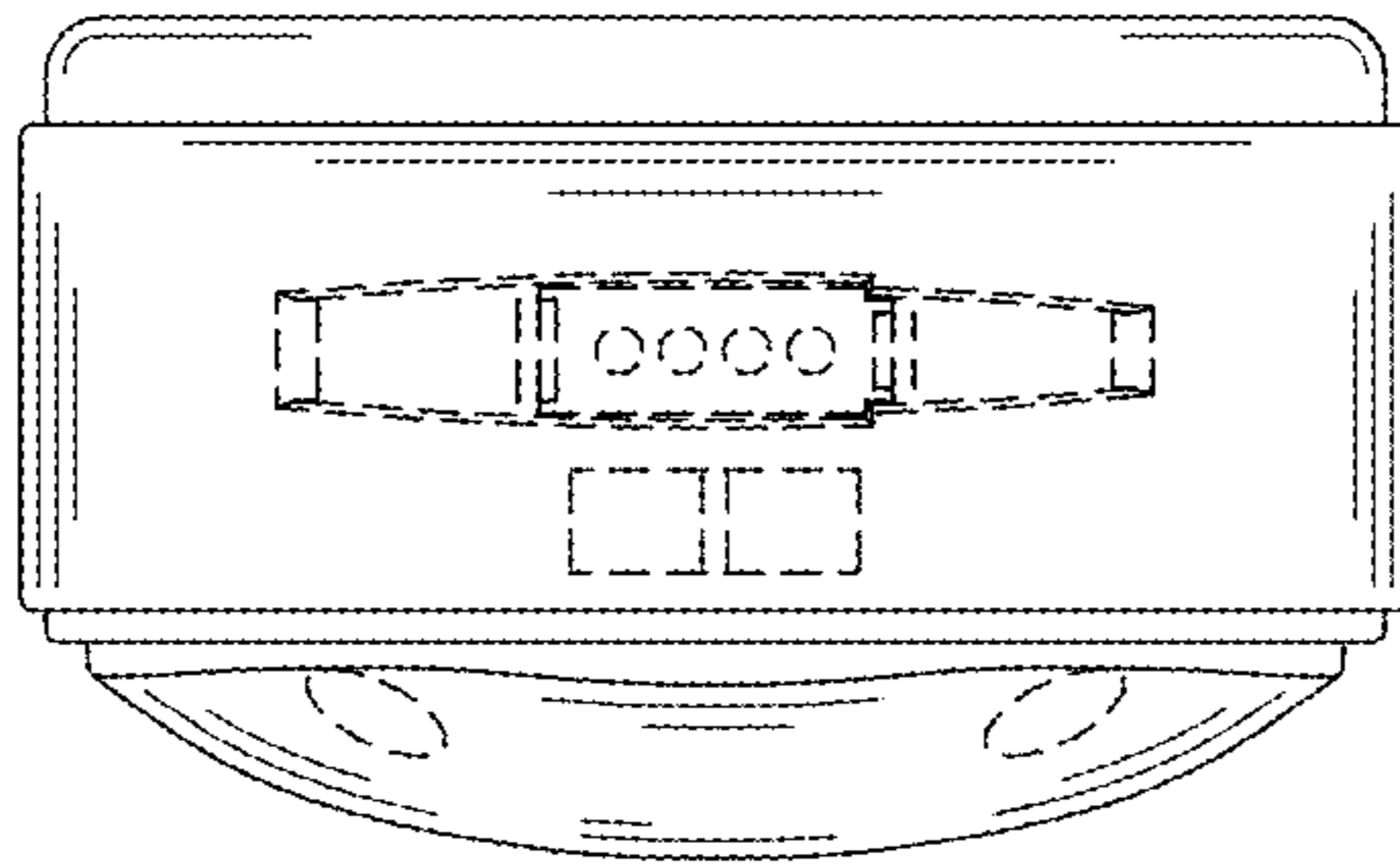


FIG. 7

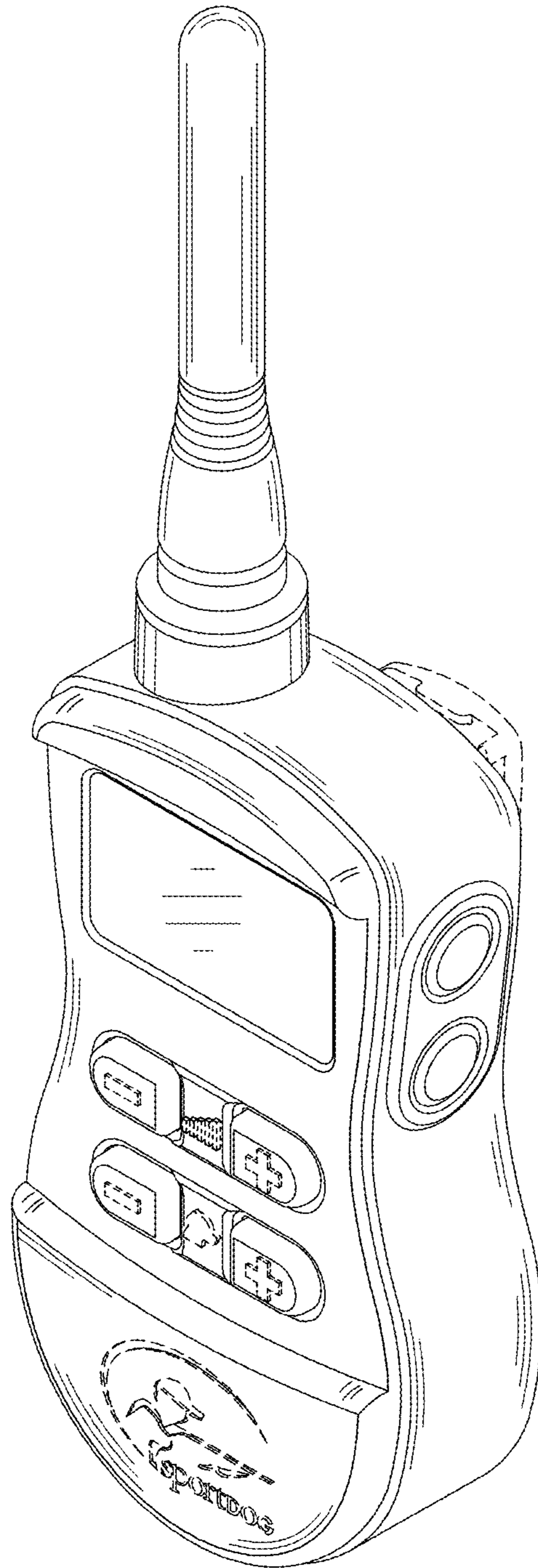


FIG. 8

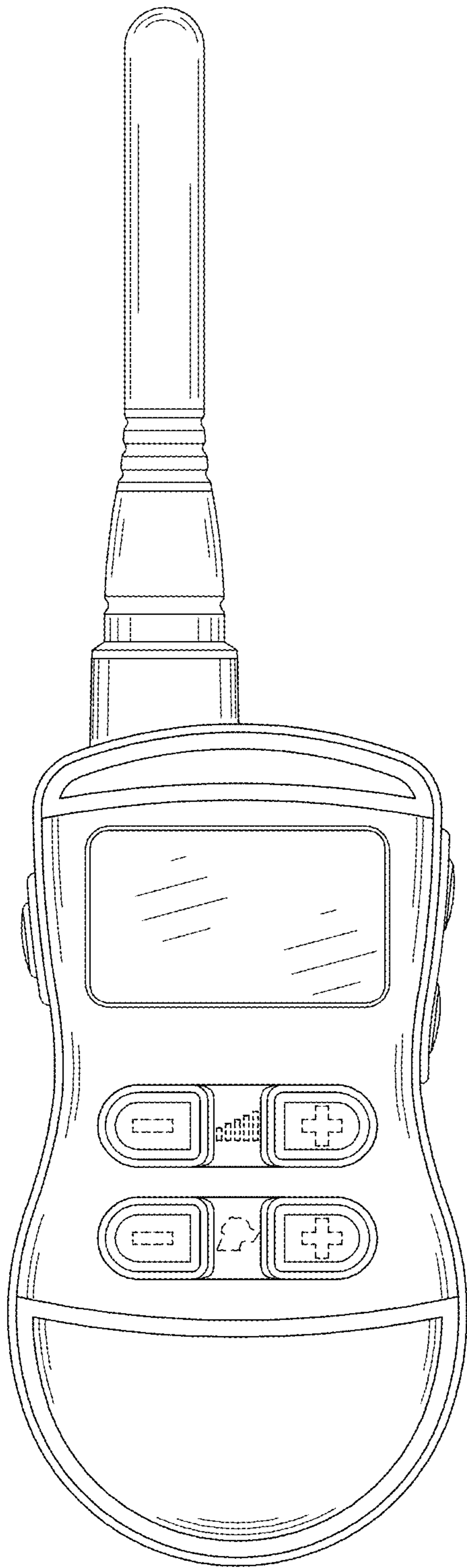


FIG. 9

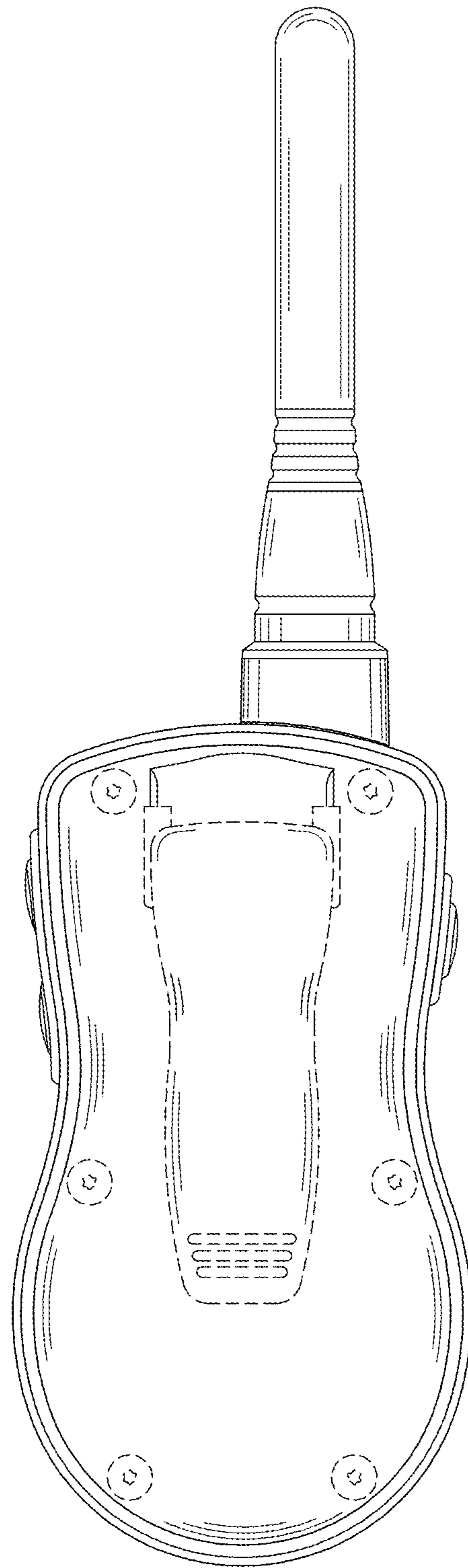


FIG. 10

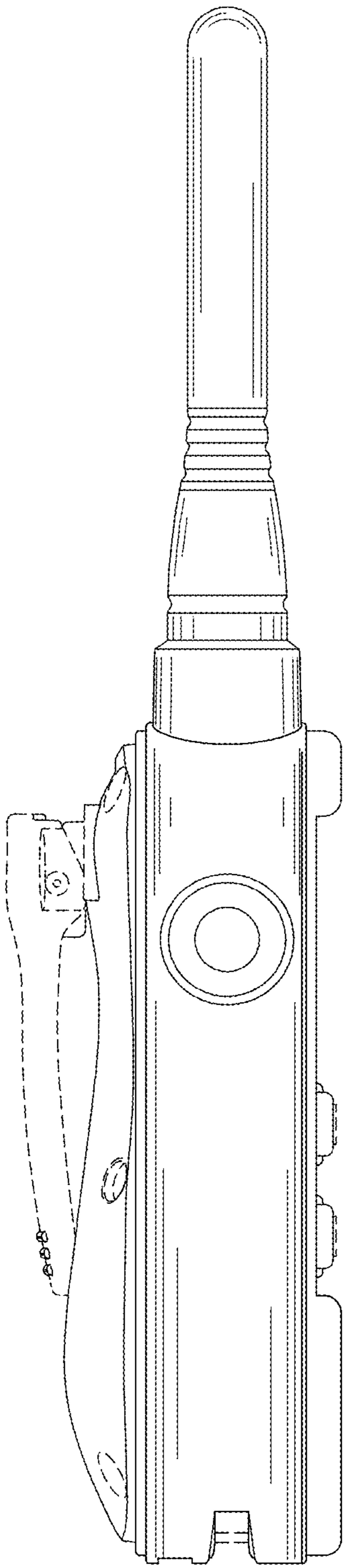


FIG. 11

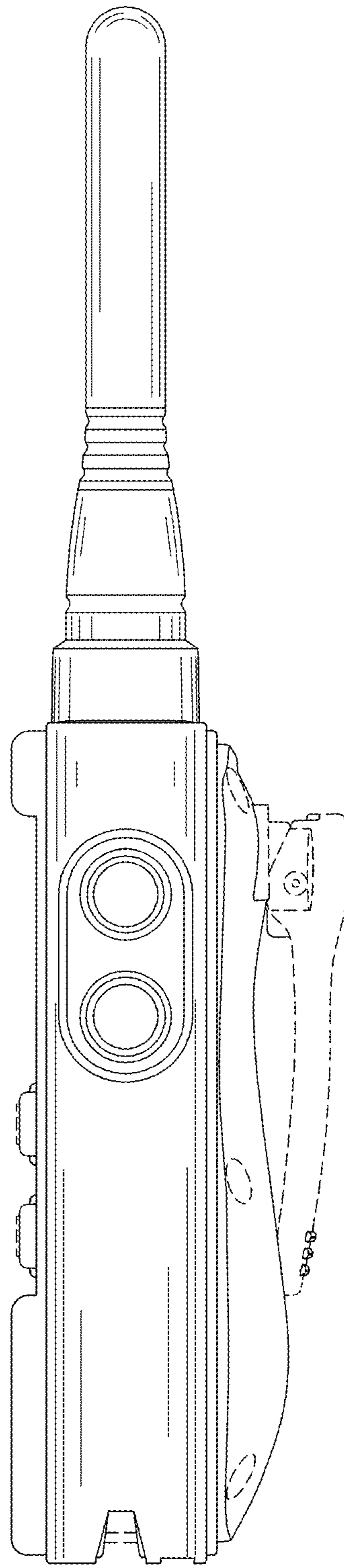


FIG. 12

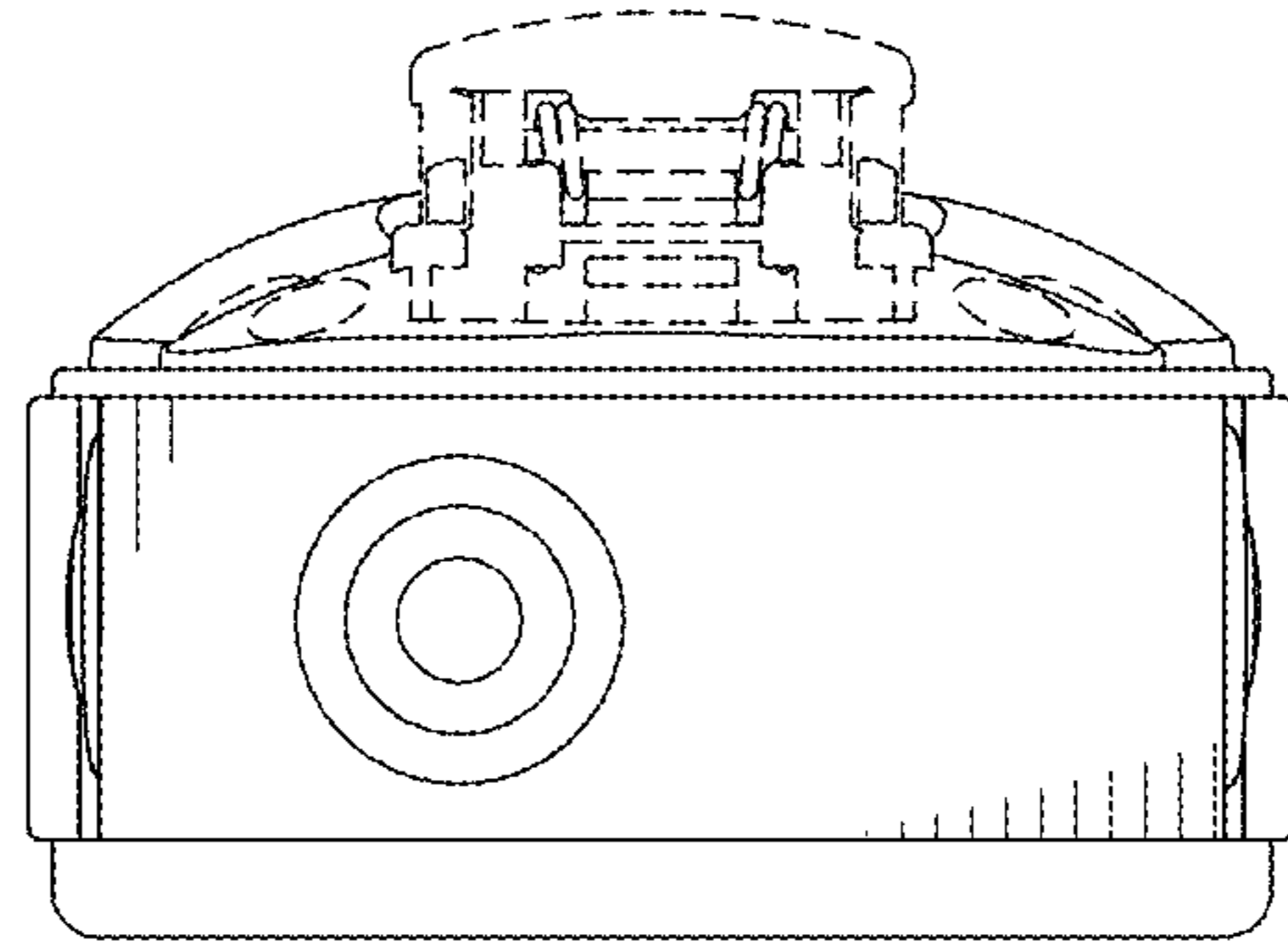


FIG. 13

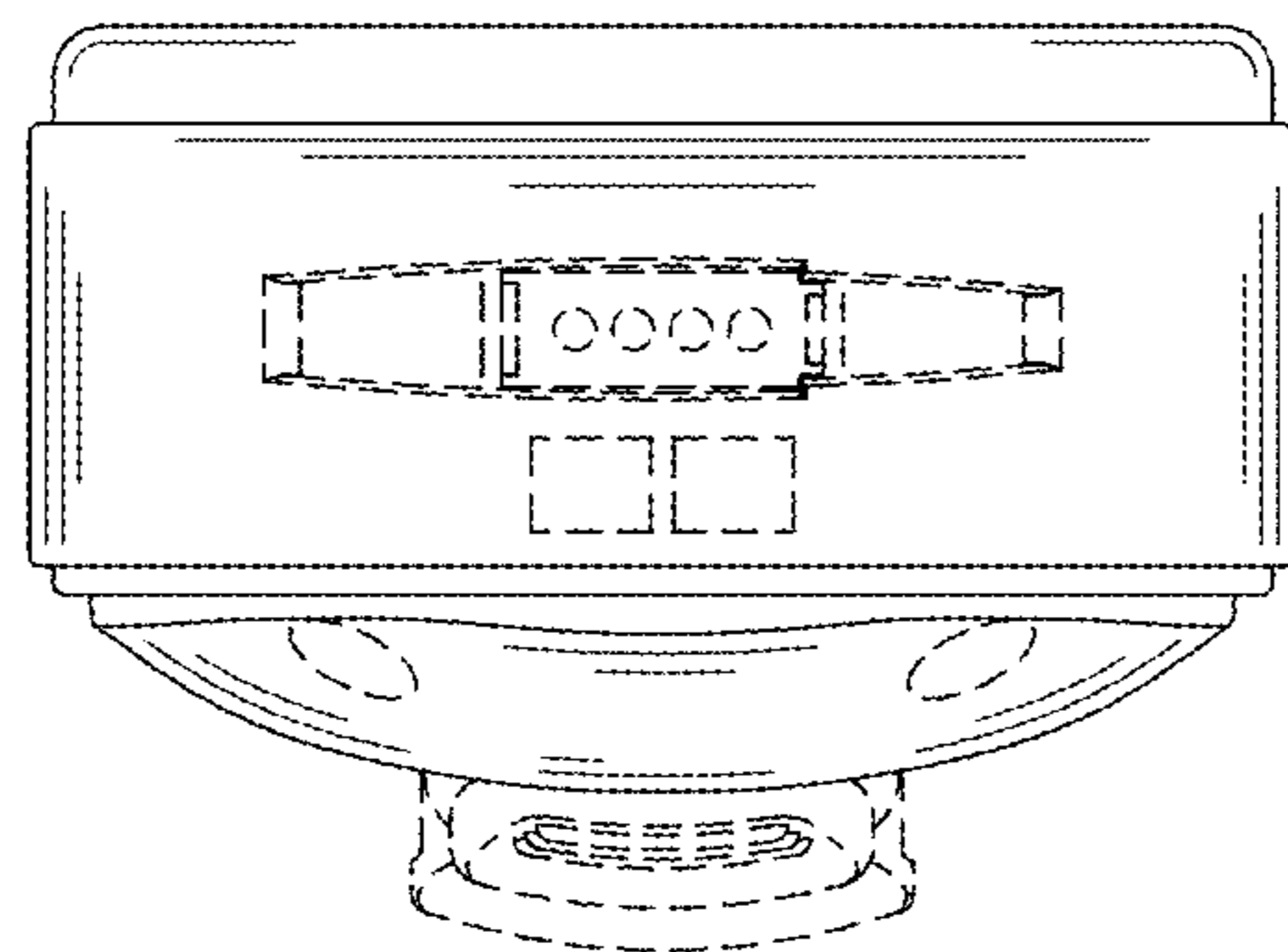


FIG. 14