



US00D815370S

(12) **United States Design Patent** (10) **Patent No.:** **US D815,370 S**
Pinto et al. (45) **Date of Patent:** **** Apr. 10, 2018**

(54) **PET TOY**

9,307,746 B2 * 4/2016 Kellogg A01K 15/026
D755,312 S * 5/2016 Summers D21/650
D765,799 S * 9/2016 Lui D30/160

(71) Applicant: **Doskocil Manufacturing Company, Inc.**, Arlington, TX (US)

* cited by examiner

(72) Inventors: **Sunil Pinto**, Arlington, TX (US); **Ryan Wills**, Carrollton, TX (US); **Norman Anderson**, Brooklyn, NY (US)

Primary Examiner — Cathy Anne MacCormac
(74) *Attorney, Agent, or Firm* — Global IP Counselors, LLP

(73) Assignee: **LITTLE BIG CAT, INC.**, Beverly Hills, CA (US)

(57) **CLAIM**

The ornamental design for a pet toy, as shown and described.

(**) Term: **15 Years**

DESCRIPTION

(21) Appl. No.: **29/557,302**

(22) Filed: **Mar. 8, 2016**

(51) **LOC (11) Cl.** **30-99**

(52) **U.S. Cl.**
USPC **D30/160; D21/657**

(58) **Field of Classification Search**
USPC D30/160; D21/656, 657, 707
CPC .. A01K 15/025; A01K 15/026; A01K 15/027;
A61H 15/00; A61H 15/0085
See application file for complete search history.

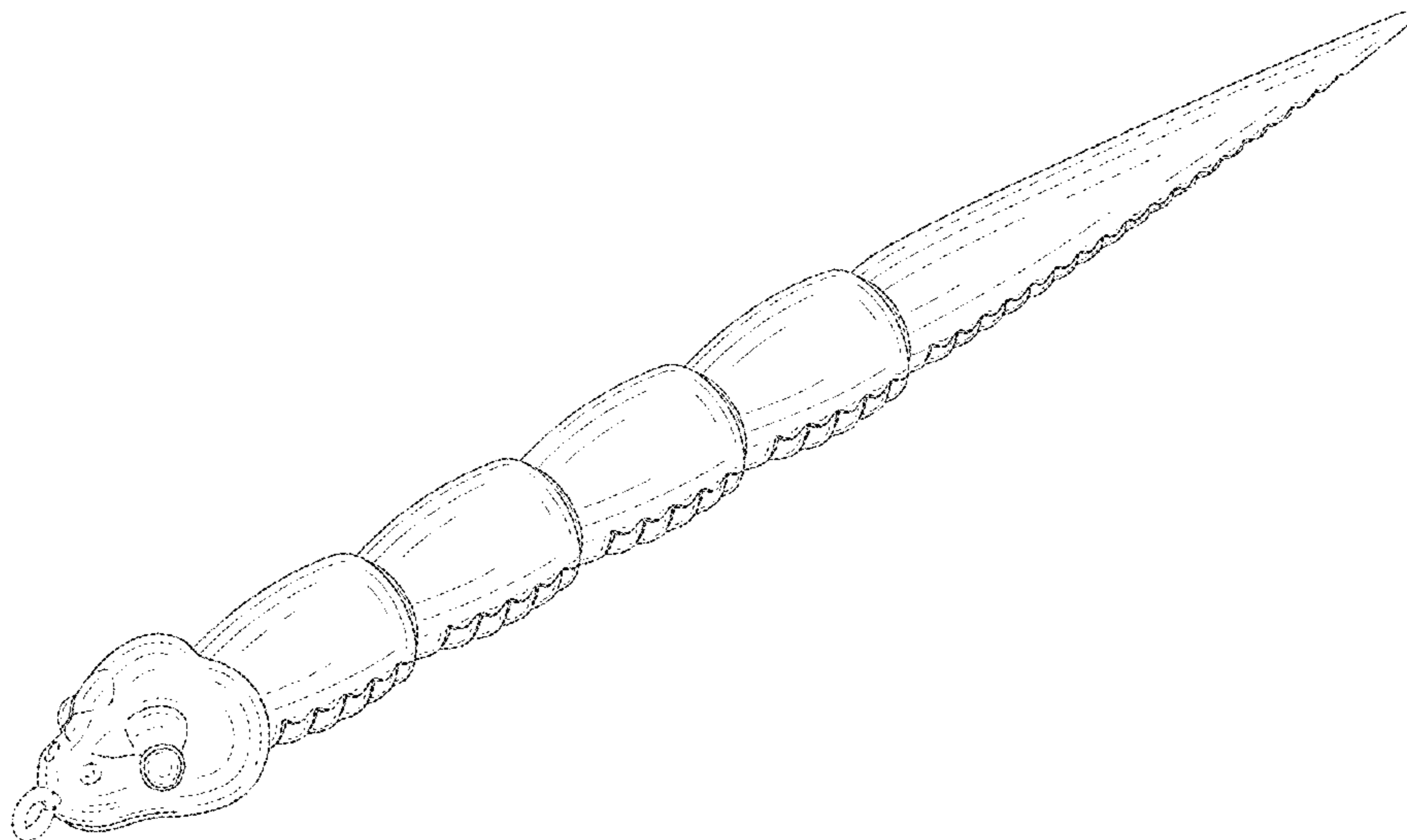
FIG. 1 is a top perspective view of a pet toy in accordance with our new design;
FIG. 2 is an enlarged front view thereof;
FIG. 3 is an enlarged back view thereof;
FIG. 4 is a right side view of FIG. 1;
FIG. 5 is a left side view of FIG. 1;
FIG. 6 is a top view of FIG. 1;
FIG. 7 is a bottom view of FIG. 1;
FIG. 8 is a top, front perspective view of the front portion of the pet toy;
FIG. 9 is a bottom, rear perspective view of FIG. 8;
FIG. 10 is a top, front perspective view of the middle portion of the pet toy;
FIG. 11 is a bottom, rear perspective view of FIG. 10;
FIG. 12 is a top, front perspective view of the back portion of the pet toy;
FIG. 13 is a bottom, rear perspective view of FIG. 12;
FIG. 14 is a detail of the encircled portion of FIG. 4;
FIG. 15 is a detail of the encircled portion of FIG. 5;
FIG. 16 is a detail of the encircled portion of FIG. 6; and,
FIG. 17 is a detail of the encircled portion of FIG. 7.
The broken lines depict environmental subject matter, are for illustration only, and form no part of the claimed design.

(56) **References Cited**

U.S. PATENT DOCUMENTS

857,593 A * 6/1907 Brown A63H 3/04
43/42.15
1,599,947 A * 9/1926 Bishop A63H 3/04
D21/657
2,241,576 A * 5/1941 Barton A63H 7/00
446/361
D247,259 S * 2/1978 Yonezawa D21/592
D279,809 S * 7/1985 Edmisson D21/592
D418,639 S * 1/2000 Simon D30/160
D624,974 S * 10/2010 Taylor D21/657
D655,058 S * 2/2012 Blair D30/160

1 Claim, 8 Drawing Sheets



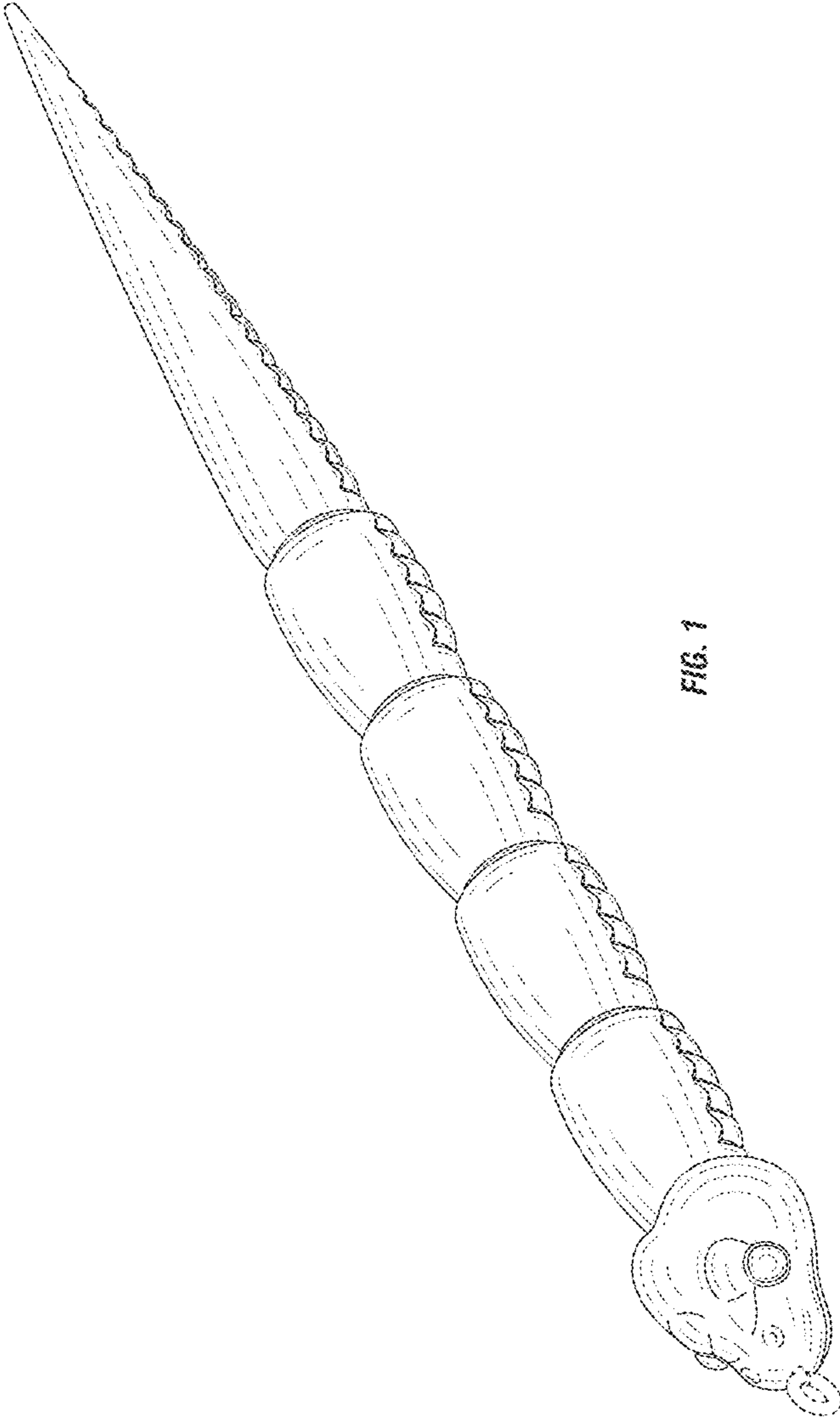


FIG. 1

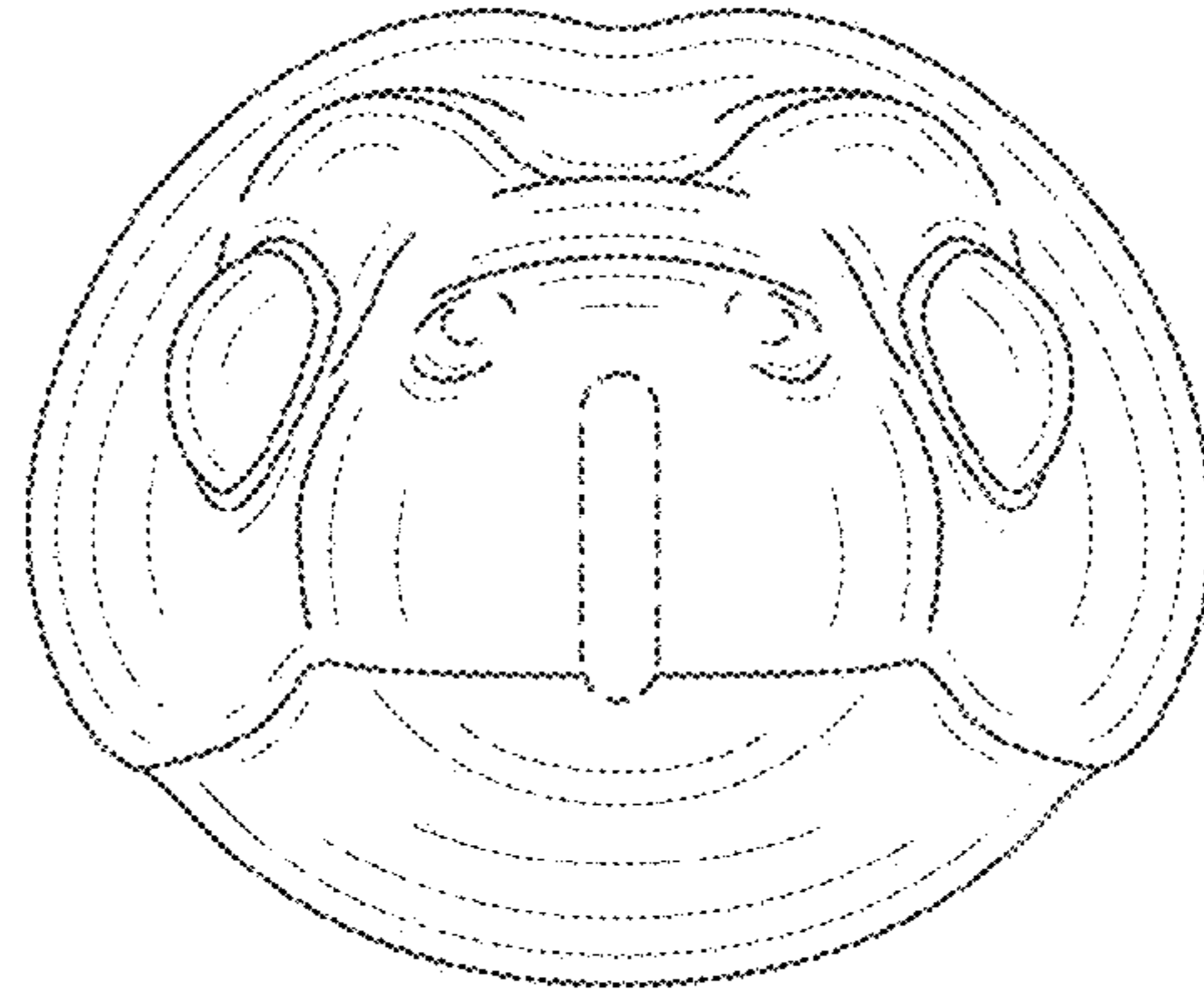


FIG. 2

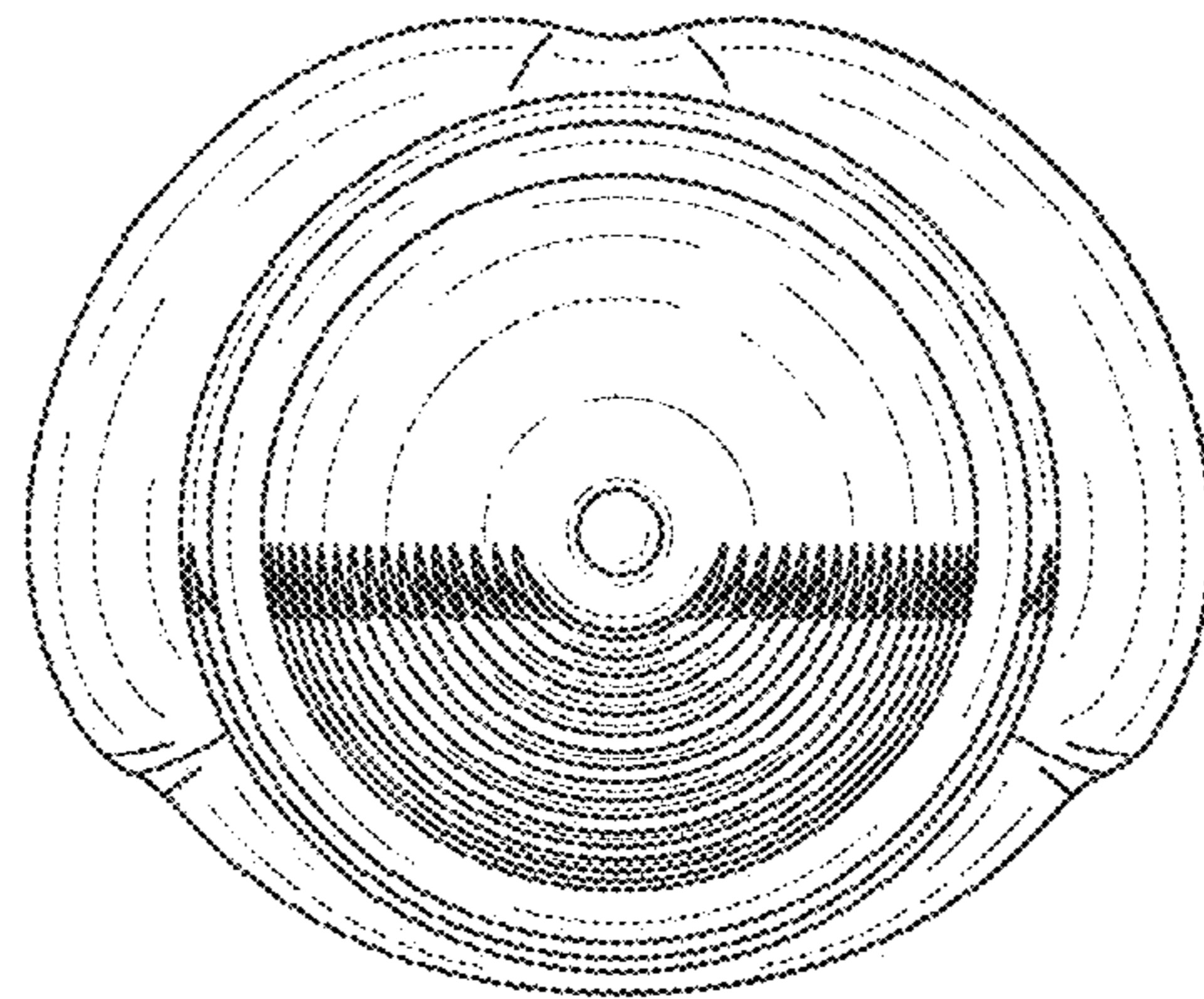


FIG. 3

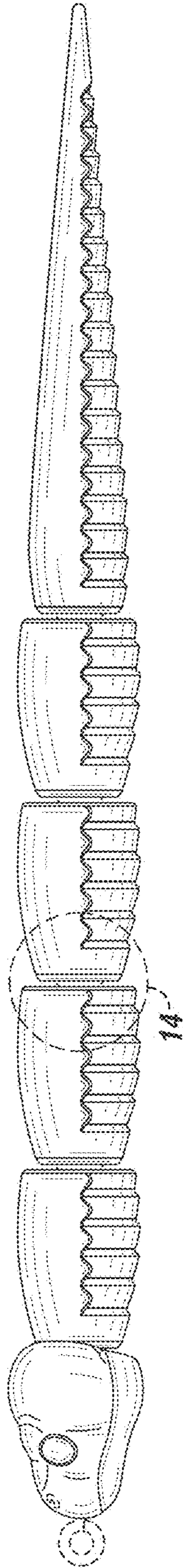


FIG. 4

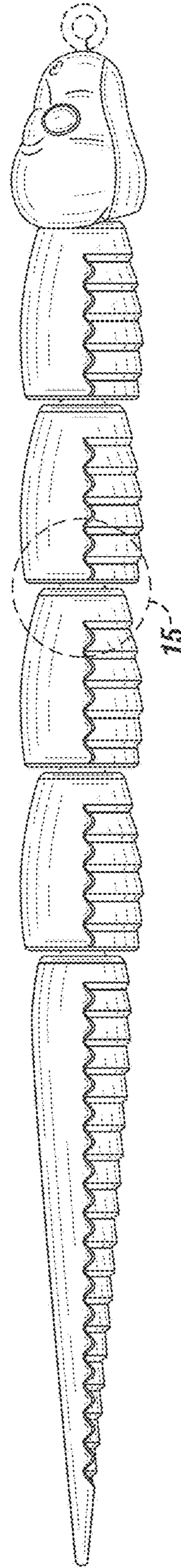


FIG. 5

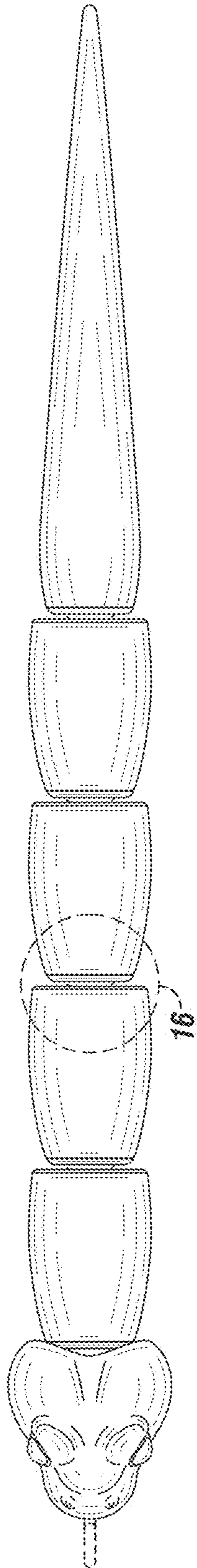


FIG. 6

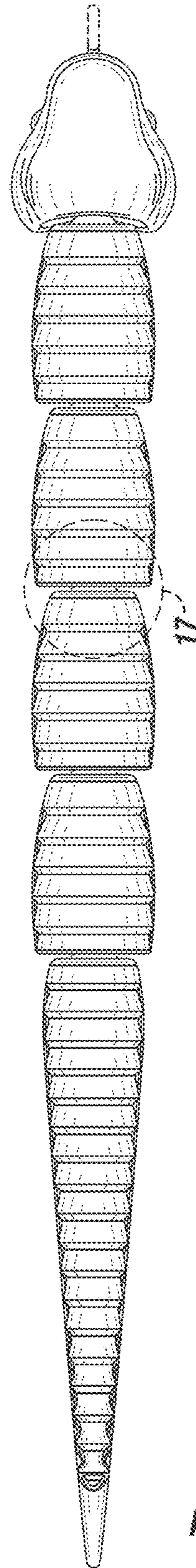


FIG. 7

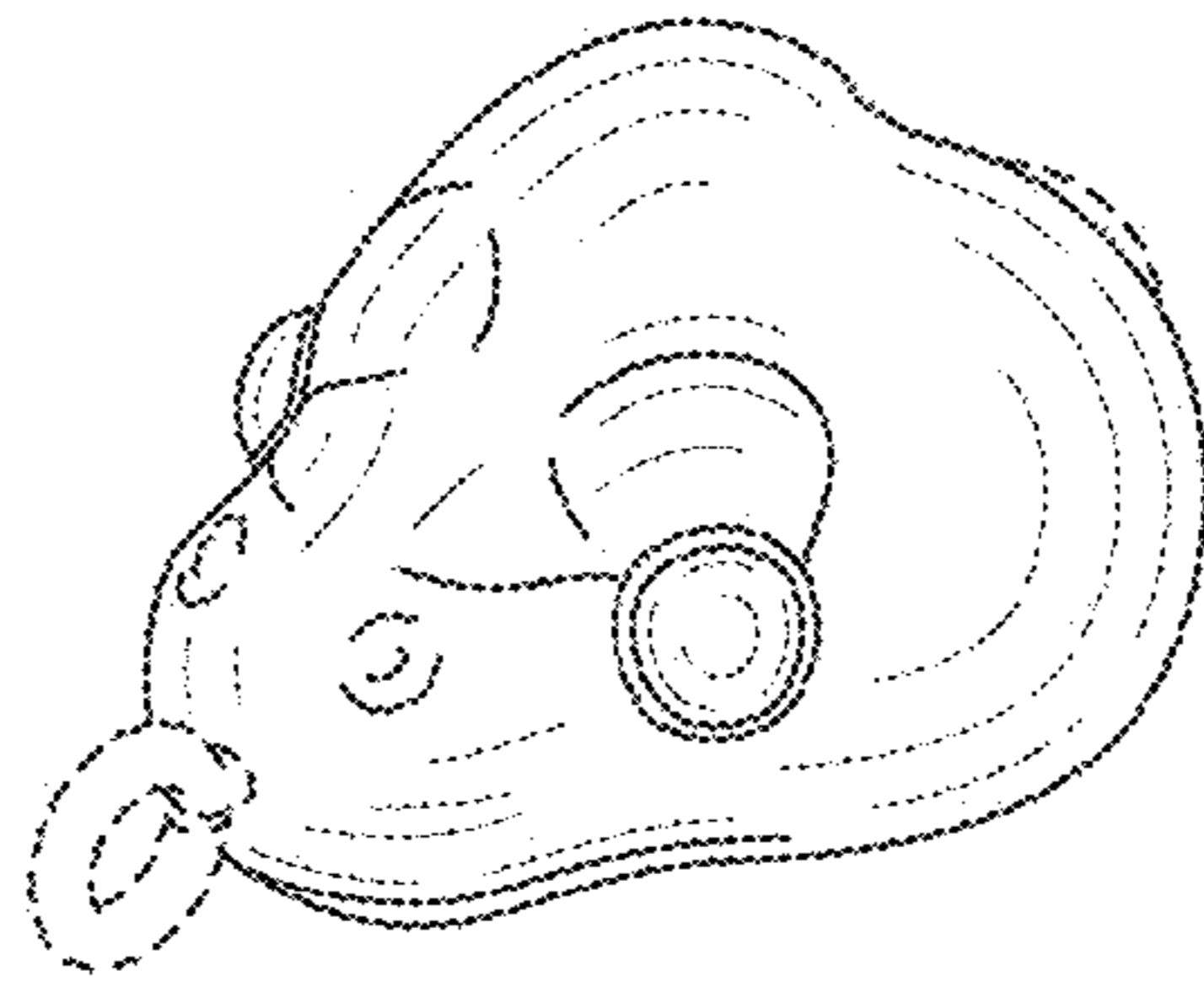


FIG. 8

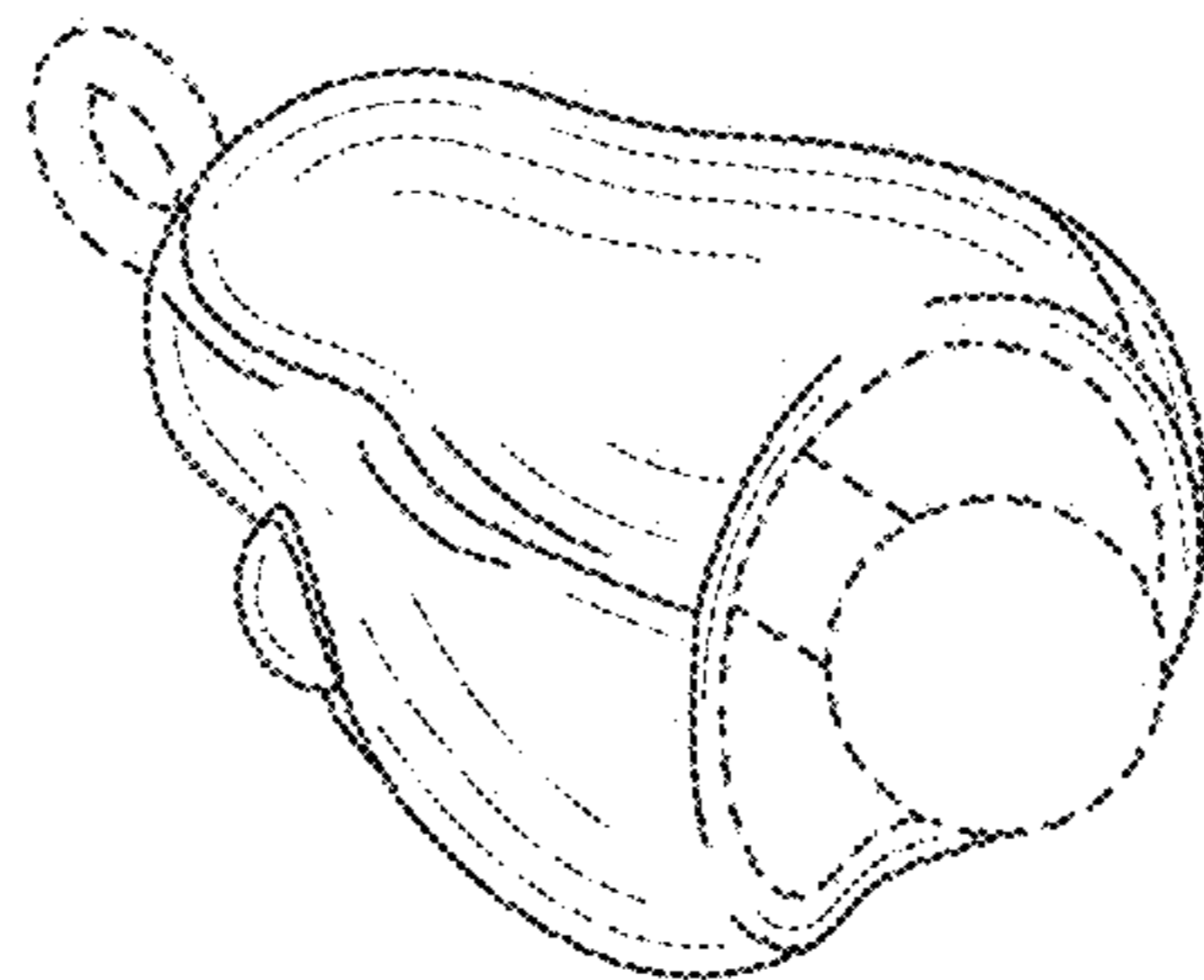


FIG. 9

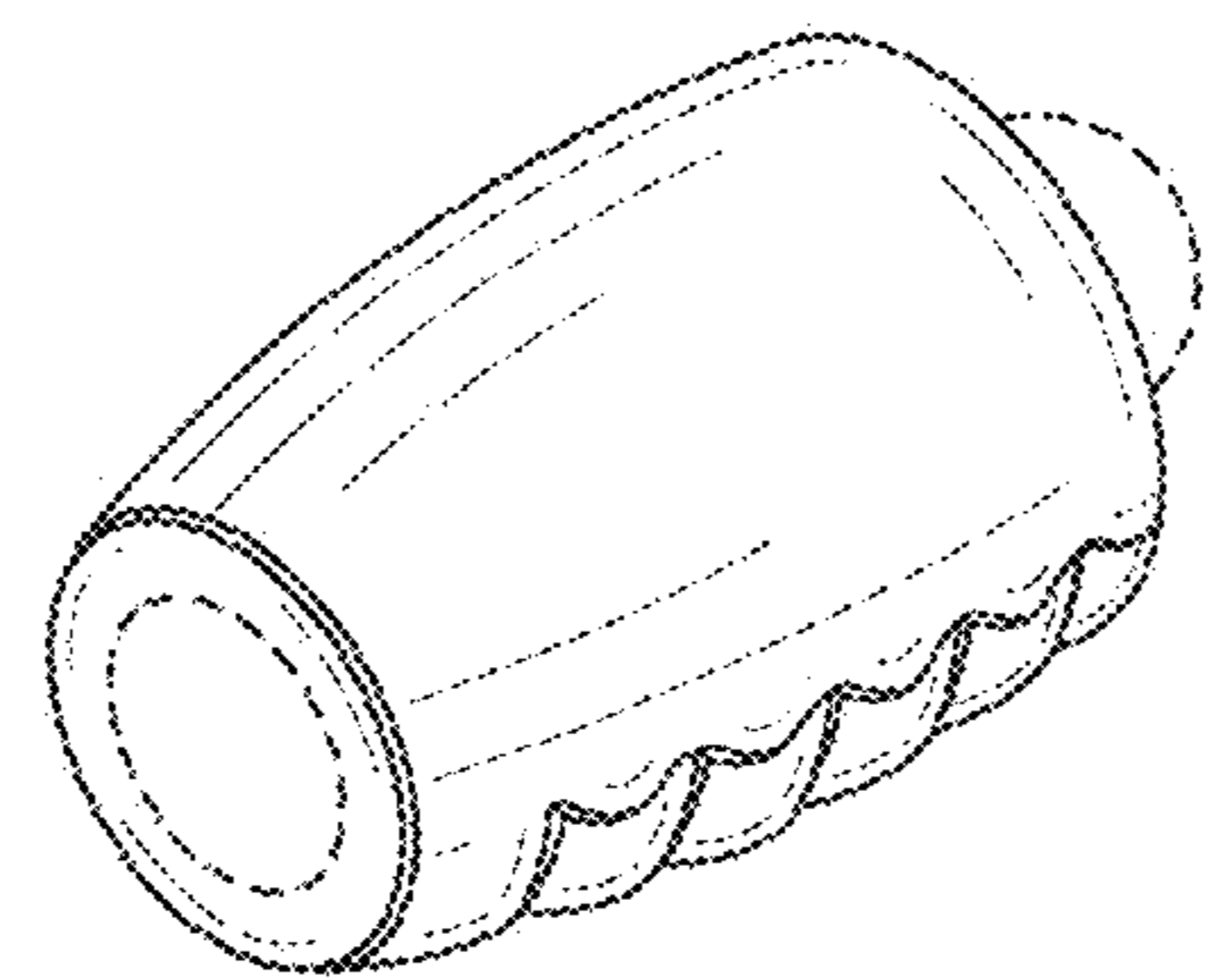


FIG. 10

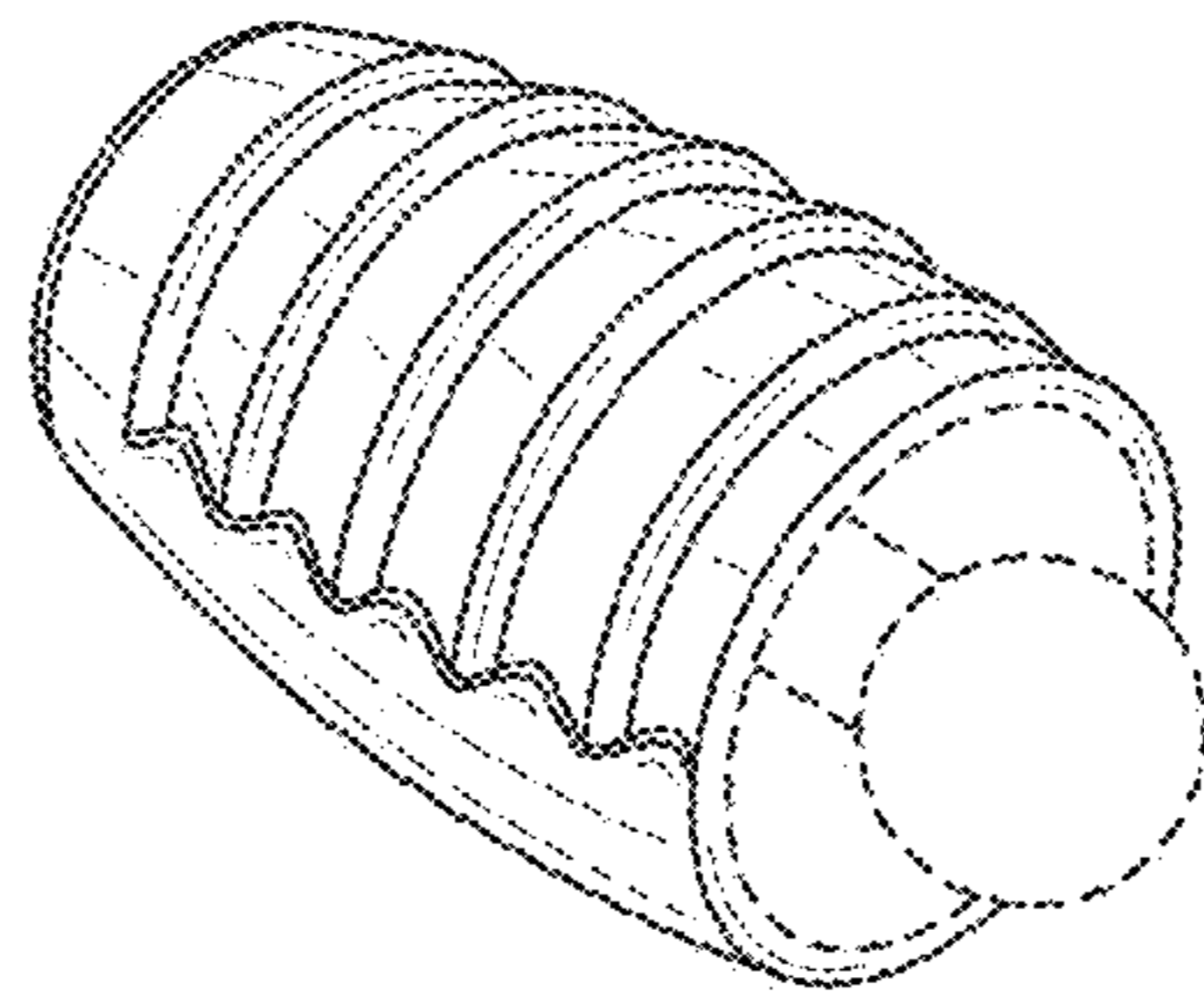


FIG. 11

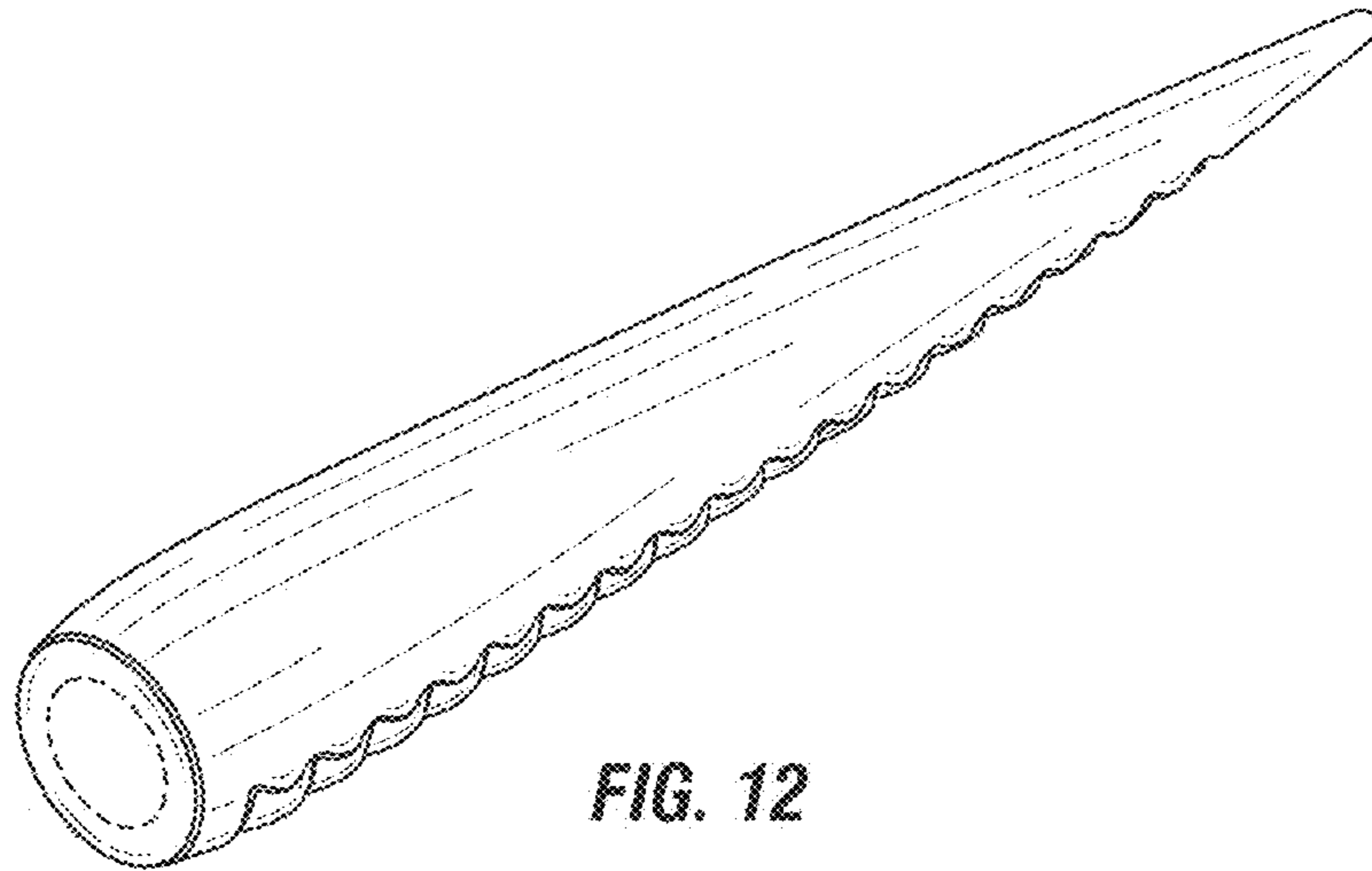


FIG. 12

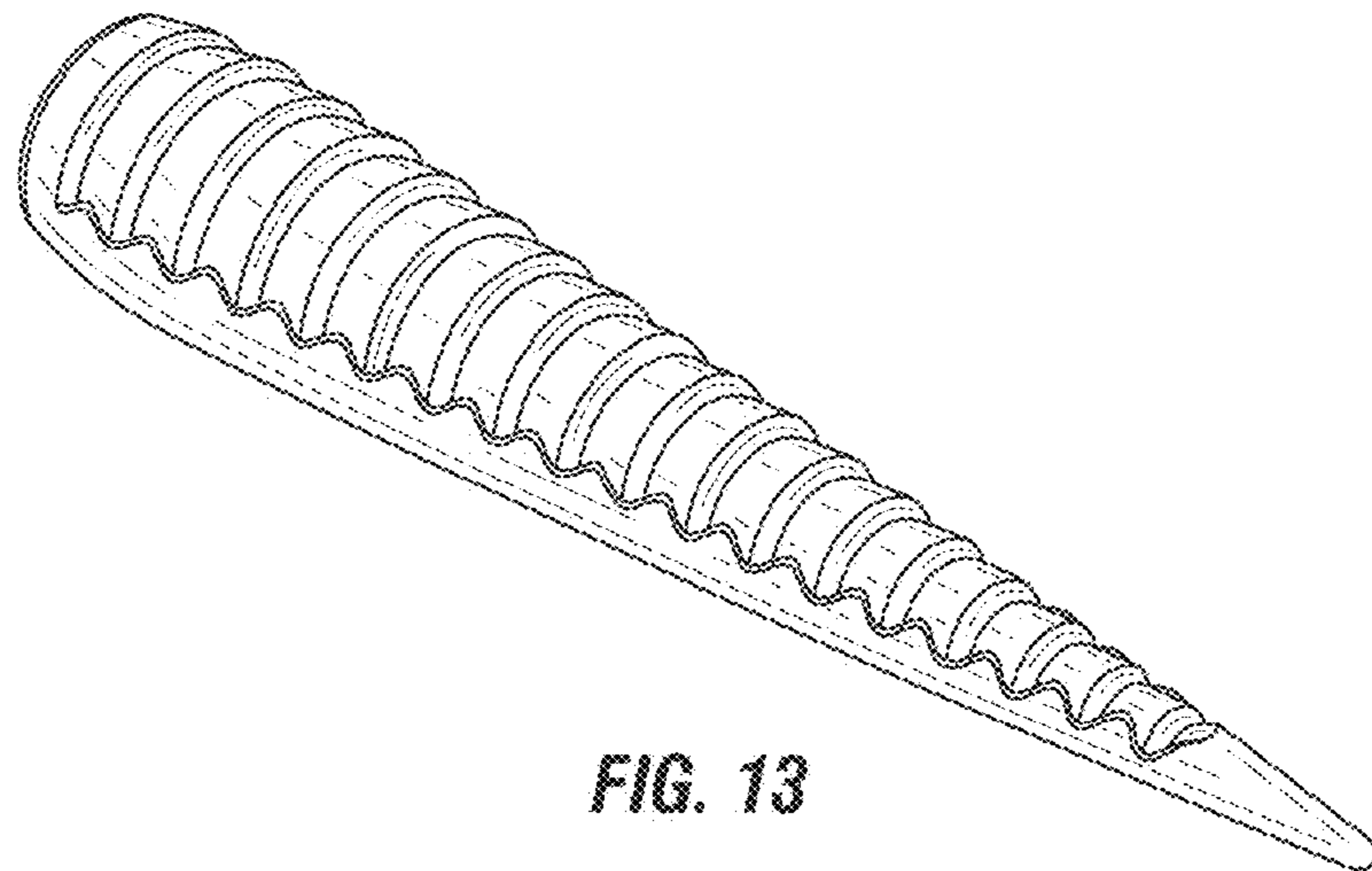


FIG. 13

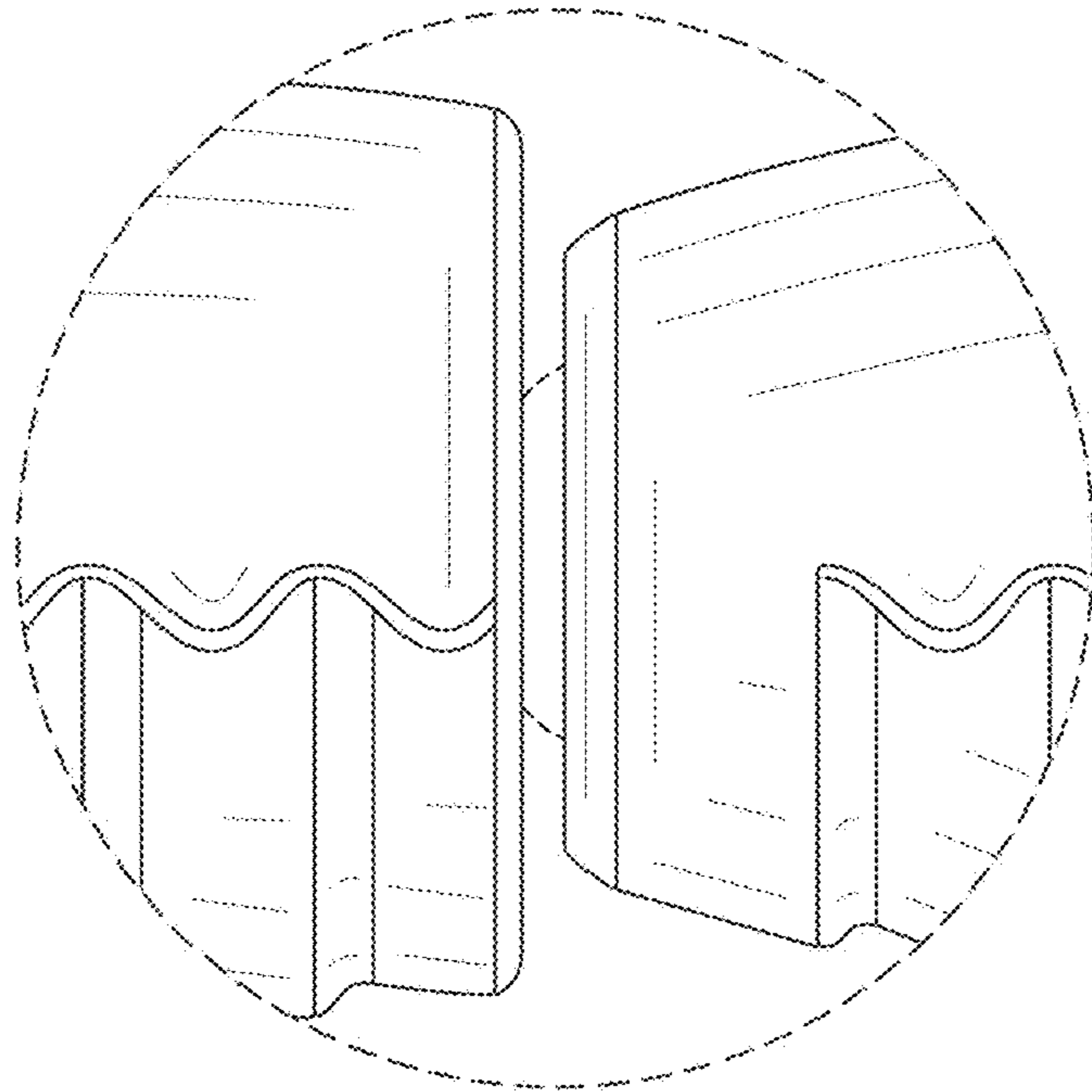


FIG. 14

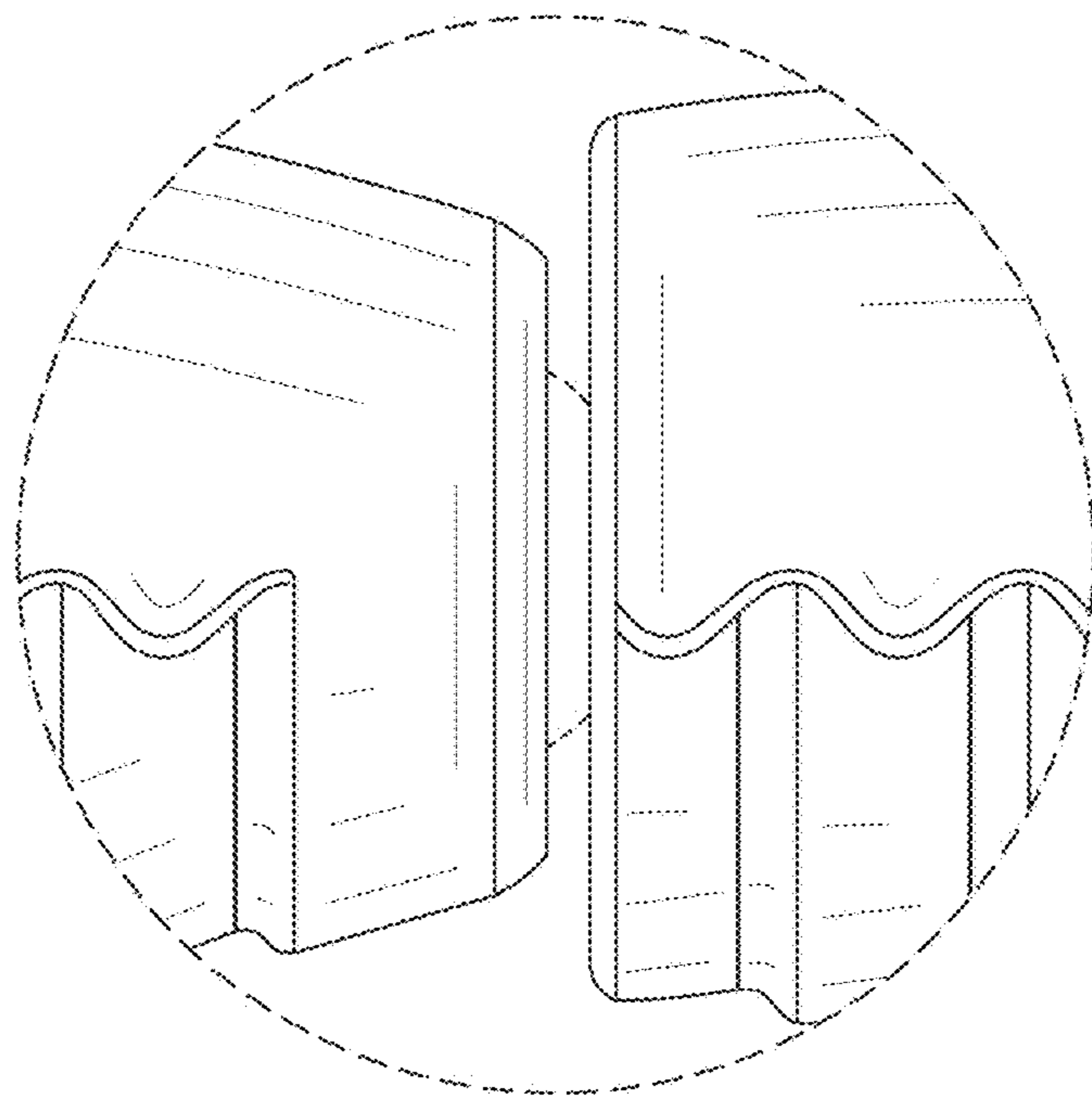


FIG. 15

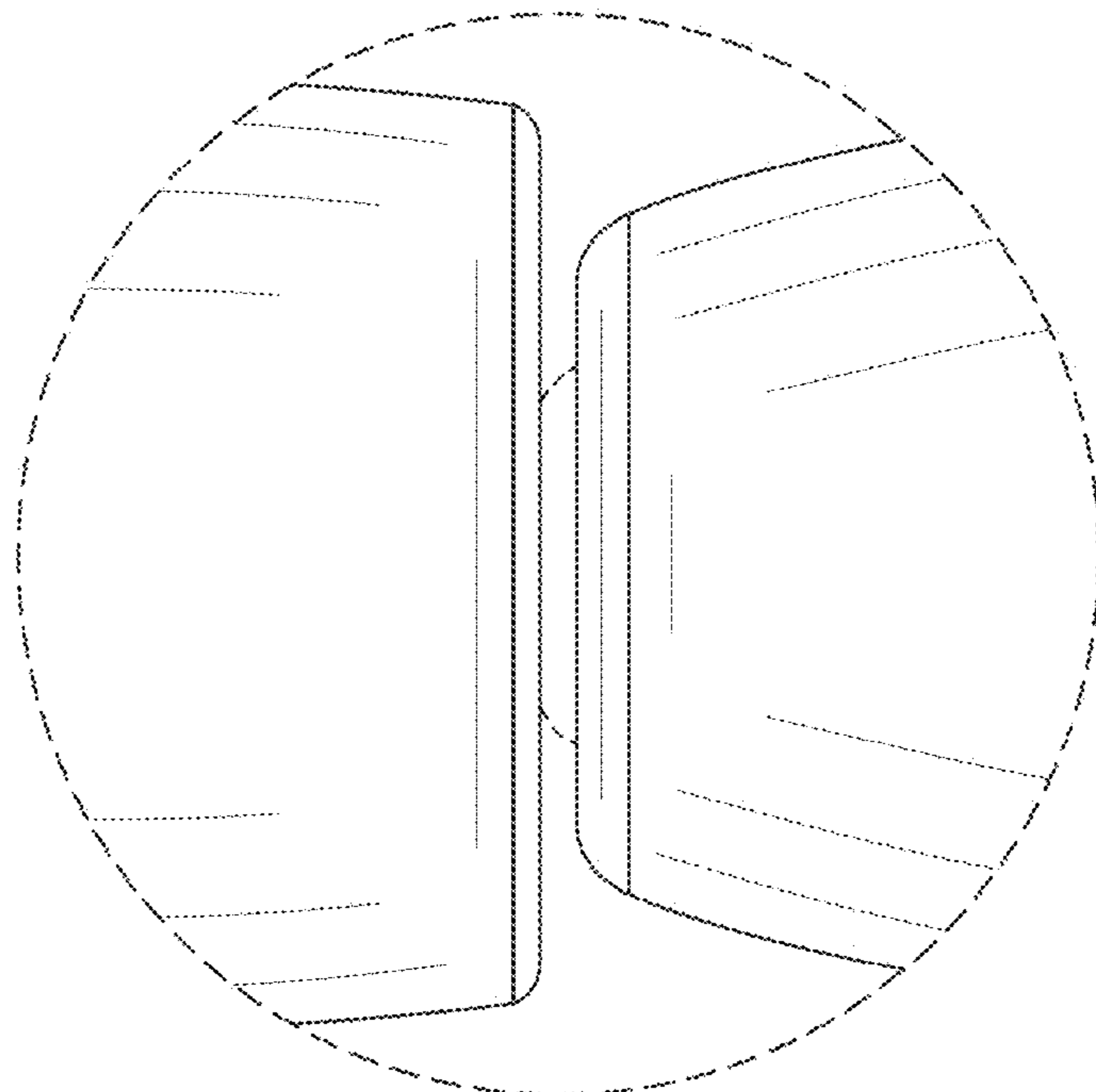


FIG. 16

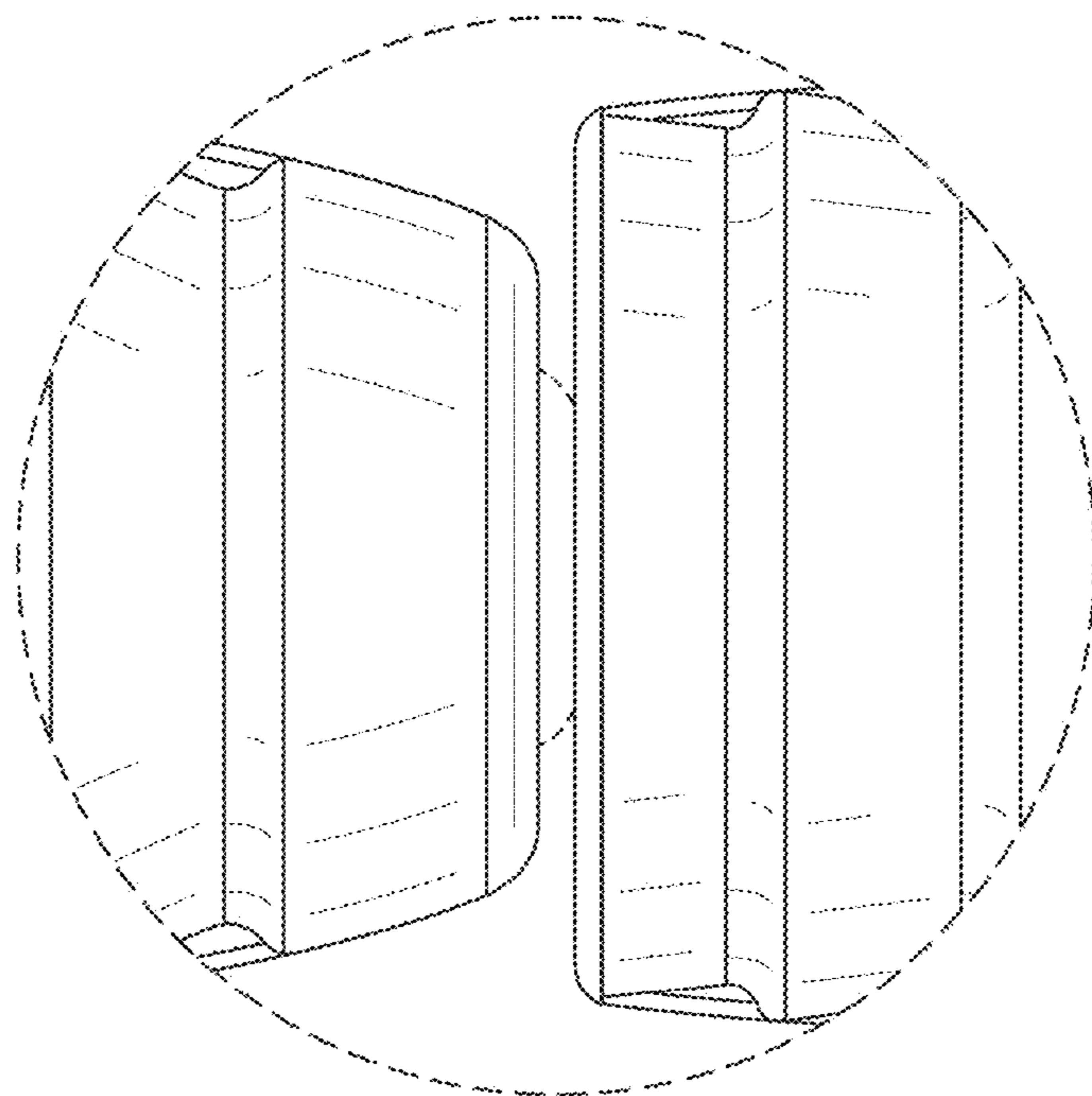


FIG. 17