



US00D815367S

(12) **United States Design Patent**  
**Kao**

(10) **Patent No.:** **US D815,367 S**

(45) **Date of Patent:** **\*\* Apr. 10, 2018**

(54) **RACING PIGEON FOOT RING**

(71) Applicant: **Shu-Hui Kao**, Taichung (TW)

(72) Inventor: **Shu-Hui Kao**, Taichung (TW)

(\*\*) Term: **15 Years**

(21) Appl. No.: **29/571,501**

(22) Filed: **Jul. 19, 2016**

(51) **LOC (11) Cl.** ..... **30-08**

(52) **U.S. Cl.**

USPC ..... **D30/155; D30/199**

(58) **Field of Classification Search**

USPC ..... D30/155, 199, 144–146, 151–153;  
119/856, 858, 859, 860, 863, 865, 654,  
119/712–714, 716, 720–726, 762, 763,  
119/792, 816, 818, 850, 853, 174, 855,  
119/862, 760, 789, 796, 815, 821;  
D11/2, 3, 4, 26, 5–25, 27–39, 131, 131.1,  
D11/133, 140, 155, 157, 93, 79, 80,  
D11/81–83, 86, 40–44, 94, 200, 201, 106,  
D11/114–116, 99, 220; 40/304, 300, 665,  
40/640, 633, 726, 776, 617; 63/3, 3.1,  
63/3.2, 5, 15.1–15.4, 15.45, 15.5, 15.6,  
63/15.65, 15.7, 26–28, 1.11, 1.13–1.17,  
63/5.1, 6, 7, 12, 15, 21, 33, 40, 41, 23,  
63/14.1, 18–20, 11; D10/30–32, 111, 98,  
D10/70, 78, 104.1; D24/211, 167;  
D28/41; D23/366, 367; D8/383, 349,  
D8/394, 395, 396; D6/332, 468;  
D21/683; D5/45, 46, 7, 13; D29/120.1,  
D29/100, 101.5; D2/609, 627, 614, 628,  
D2/624, 632, 894; D26/11, 26, 113–118;  
D20/10, 22, 27, 40, 42, 11; D9/434;  
428/690; 359/516; 2/232, 22, 468, 338;  
424/411; 600/38, 301; 24/180, 625, 188,  
24/662, 647; 439/352; 206/347;  
362/103, 104, 216, 335, 108; 283/72, 74,  
283/75, 103, 105, 106, 449; 229/72, 92,

(Continued)

(56) **References Cited**

U.S. PATENT DOCUMENTS

1,509,335 A \* 9/1924 Bockin ..... E05B 75/00  
70/16  
1,687,020 A \* 10/1928 Herzog ..... A44C 9/00  
63/15

(Continued)

OTHER PUBLICATIONS

Hitags 256 Chip Foot Ring for Racing Pigeon w/ Tracking Control, 2017 <http://szstarcad.en.made-in-china.com/product/XCMmztkj-nWB/China-Hitags256-Chip-Foot-Ring-for-Racing-Pigeon-Tracking-Control.html>.\*

(Continued)

*Primary Examiner* — Susan Moon Lee

(74) *Attorney, Agent, or Firm* — patenttm.us

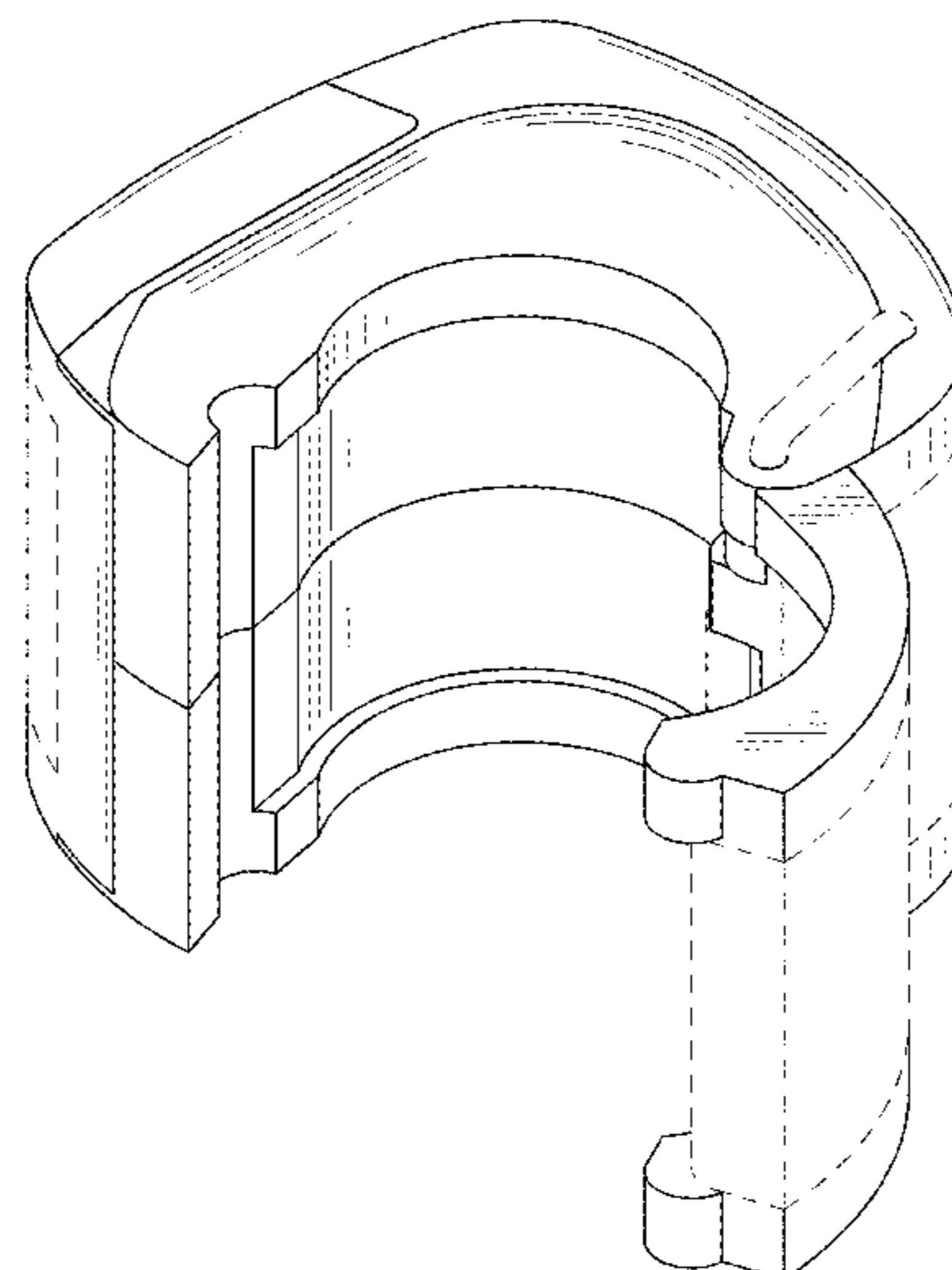
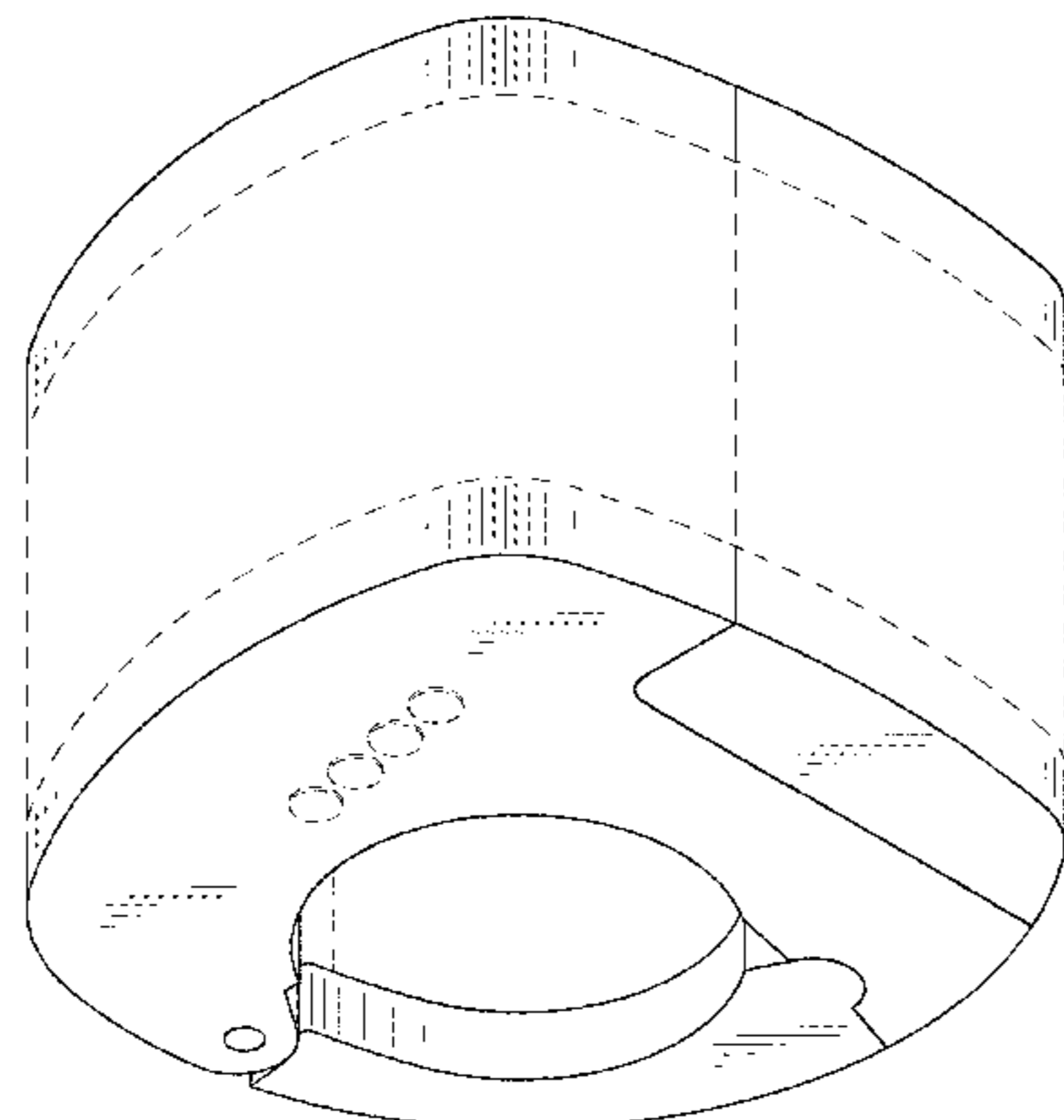
(57) **CLAIM**

The ornamental design for a racing pigeon foot ring, as shown and described.

**DESCRIPTION**

FIG. 1 is a perspective view of a racing pigeon foot ring, showing my new design;  
FIG. 2 is another perspective view thereof;  
FIG. 3 is a front view thereof;  
FIG. 4 is rear front view thereof;  
FIG. 5 is a left side view thereof;  
FIG. 6 is a right side view thereof;  
FIG. 7 is a top view thereof;  
FIG. 8 is a bottom view thereof; and,  
FIG. 9 is an operational perspective view thereof showing a gate of the racing pigeon foot ring opened.  
The elements depicted in broken line represent unclaimed features of the racing pigeon foot ring and form no part of the claimed design.

**1 Claim, 9 Drawing Sheets**



# US D815,367 S

(58) **Field of Classification Search**

USPC ..... 229/92.1, 300-303; 224/222, 184, 249,  
 224/676; D14/344, 341, 203.5, 427;  
 D3/218; 70/19, 15, 16; 340/531,  
 340/539.11-539.19, 539.24, 8.1, 573.4,  
 340/573.1, 573.3, 573.2; 455/456.1,  
 455/404.2, 575.2, 575.6, 90.1, 90.3  
 CPC ..... A01K 35/00; A01K 13/00; G09F 3/005;  
 G09F 3/02; A44C 5/00; A44C 5/0007;  
 A44C 5/0015; A44C 5/0023; A44C  
 5/003; A44C 5/0053; A44C 5/0084; A44C  
 5/14; A44C 5/18; A44C 5/2076; E05B  
 75/00; A61F 5/37; A61F 5/3723; Y10T  
 70/404; Y10T 70/409; Y10T 70/411;  
 G07C 9/00111; G01S 13/02; G01S 13/74;  
 G01V 3/08; G01V 3/165  
 See application file for complete search history.

(56) **References Cited**

U.S. PATENT DOCUMENTS

2,064,934 A \* 12/1936 Marshall ..... A44C 5/0092  
 63/15  
 2,235,350 A \* 3/1941 Anderson ..... A44C 15/002  
 206/37  
 2,522,852 A \* 9/1950 Apps ..... A44C 5/0092  
 63/7  
 2,533,049 A \* 12/1950 Rosenfeld ..... A44C 5/003  
 132/314  
 2,570,662 A \* 10/1951 Gray ..... E05B 75/00  
 70/16  
 3,592,028 A \* 7/1971 La Monica ..... A44B 11/12  
 24/191  
 D224,541 S \* 8/1972 Burrige ..... D14/222  
 D238,725 S \* 2/1976 Zerobnick et al. .... 224/679  
 4,383,374 A \* 5/1983 Bertero ..... G01C 9/12  
 33/373  
 D285,543 S \* 9/1986 Moser ..... D10/32  
 4,612,719 A \* 9/1986 de Jong ..... A01K 11/006  
 119/859  
 4,694,284 A \* 9/1987 Leveille ..... G08B 21/0297  
 340/539.1  
 D294,228 S \* 2/1988 Palazzo ..... D10/15  
 D300,731 S \* 4/1989 Flinchbaugh ..... D11/26  
 4,972,684 A \* 11/1990 Aitken ..... A44C 15/002  
 63/7  
 5,217,143 A \* 6/1993 Aitken ..... A44C 15/002  
 206/823  
 5,274,613 A \* 12/1993 Seager ..... H04B 1/385  
 368/13  
 D347,733 S \* 6/1994 Miller ..... 224/221  
 5,358,144 A \* 10/1994 Mock ..... F41H 9/10  
 222/175  
 5,434,759 A \* 7/1995 Endo ..... G09F 13/22  
 362/103  
 D388,333 S \* 12/1997 Wunderman ..... D10/32  
 D405,381 S \* 2/1999 Perrin ..... D11/4  
 D410,206 S \* 5/1999 Slater ..... D10/104.1  
 D413,531 S \* 9/1999 Philippe ..... D10/32  
 6,035,035 A \* 3/2000 Firooz ..... H04B 1/385  
 379/433.1  
 6,123,228 A \* 9/2000 Hippensteel ..... A44C 9/0053  
 222/153.11  
 6,150,950 A \* 11/2000 Shen Liu ..... A44C 15/0015  
 340/321  
 6,160,481 A \* 12/2000 Taylor, Jr. .... A61B 5/1112  
 340/539.1  
 6,212,414 B1 \* 4/2001 Alameh ..... H04B 1/385  
 455/347  
 D442,508 S \* 5/2001 Torres ..... D11/4  
 6,297,808 B1 \* 10/2001 Yang ..... G06F 3/03549  
 345/167

D460,430 S \* 7/2002 Wada ..... D10/31  
 6,447,457 B1 \* 9/2002 Forstner ..... A61B 5/022  
 600/485  
 D466,487 S \* 12/2002 Wada ..... D10/31  
 D466,488 S \* 12/2002 Wada ..... D10/31  
 D466,879 S \* 12/2002 Wada ..... D10/31  
 D471,471 S \* 3/2003 Fu ..... D10/32  
 6,552,714 B1 \* 4/2003 Vust ..... G06F 3/0338  
 345/157  
 6,703,936 B2 \* 3/2004 Hill ..... G07C 9/00111  
 340/573.1  
 D523,769 S \* 6/2006 Arlanda ..... D11/26  
 D526,885 S \* 8/2006 Kelleghan ..... D8/356  
 D543,192 S \* 5/2007 Jung ..... D10/31  
 D547,328 S \* 7/2007 Kin ..... D14/496  
 D549,221 S \* 8/2007 Yagi ..... D11/4  
 7,289,031 B1 \* 10/2007 Hock ..... G08B 21/22  
 340/539.13  
 D556,194 S \* 11/2007 Rambosek ..... D11/2  
 D567,227 S \* 4/2008 Hada ..... D11/4  
 D567,676 S \* 4/2008 Tang ..... D10/32  
 D568,768 S \* 5/2008 Tang ..... D10/30  
 D576,501 S \* 9/2008 Tang ..... D10/31  
 D578,918 S \* 10/2008 Aninye ..... D10/104.1  
 D584,972 S \* 1/2009 Aeberhard ..... D10/32  
 D586,331 S \* 2/2009 Francz ..... D14/218  
 D594,000 S \* 6/2009 Yeon ..... D14/226  
 D600,570 S \* 9/2009 Zinder ..... D10/31  
 D621,693 S \* 8/2010 Dong ..... D8/356  
 D621,726 S \* 8/2010 Lattmann ..... D10/38  
 D640,367 S \* 6/2011 Lin ..... D24/107  
 D643,428 S \* 8/2011 Janky ..... D14/240  
 8,090,418 B2 \* 1/2012 Thiel ..... H04B 1/385  
 455/575.2  
 D665,952 S \* 8/2012 Guo ..... D30/152  
 D669,382 S \* 10/2012 Alvarez ..... D11/3  
 D669,384 S \* 10/2012 Alvarez ..... D11/3  
 8,301,211 B2 \* 10/2012 Lee ..... H04M 1/274525  
 340/539.11  
 D673,334 S \* 12/2012 Guo ..... D30/152  
 D688,584 S \* 8/2013 Cobbett ..... D11/3  
 8,514,070 B2 \* 8/2013 Roper ..... G08B 21/0286  
 340/539.13  
 D703,069 S \* 4/2014 Adams ..... D10/31  
 8,725,842 B1 \* 5/2014 Al-Nasser ..... G04G 17/08  
 367/11  
 D709,047 S \* 7/2014 Jennings ..... D14/167  
 D711,002 S \* 8/2014 Ohnemus ..... D24/186  
 D711,269 S \* 8/2014 Esposito ..... D10/70  
 D712,930 S \* 9/2014 Lee ..... D14/496  
 D714,179 S \* 9/2014 Park ..... D11/3  
 D720,249 S \* 12/2014 Park ..... D11/3  
 D721,292 S \* 1/2015 Choi ..... D10/70  
 D721,701 S \* 1/2015 Al-Nasser ..... D14/344  
 D721,981 S \* 2/2015 Choi ..... D10/70  
 D725,071 S \* 3/2015 Lee ..... D14/138 R  
 D725,510 S \* 3/2015 Henning ..... D10/70  
 D726,139 S \* 4/2015 Park ..... D14/138 R  
 D726,140 S \* 4/2015 Park ..... D14/138 R  
 D726,572 S \* 4/2015 Walters ..... D11/3  
 D726,678 S \* 4/2015 Park ..... D14/138 R  
 D727,187 S \* 4/2015 Sullivan ..... D10/70  
 D727,188 S \* 4/2015 Sullivan ..... D10/70  
 D727,195 S \* 4/2015 Wanliss-Orlebar ..... D11/3  
 D730,347 S \* 5/2015 Jung ..... D14/344  
 D730,763 S \* 6/2015 Haapakoski ..... D10/70  
 D732,528 S \* 6/2015 Kim ..... D14/344  
 D733,130 S \* 6/2015 Kim ..... D14/344  
 D734,329 S \* 7/2015 Lee ..... D14/344  
 D735,587 S \* 8/2015 Squires ..... D10/32  
 D736,767 S \* 8/2015 Lee ..... D14/344  
 D737,715 S \* 9/2015 Coin ..... D11/3  
 D739,274 S \* 9/2015 Chen ..... D10/70  
 9,129,503 B2 \* 9/2015 Borlenghi ..... G08B 21/0269  
 D740,827 S \* 10/2015 Sun ..... D14/427  
 D742,373 S \* 11/2015 Ji ..... D10/38  
 D742,875 S \* 11/2015 Ji ..... D10/32  
 D744,869 S \* 12/2015 Dallmeyer ..... D10/32

(56)

References Cited

U.S. PATENT DOCUMENTS

D745,513 S \* 12/2015 Jung ..... D14/344  
 D746,477 S \* 12/2015 Cha ..... D24/186  
 D747,660 S \* 1/2016 Coin ..... D11/3  
 D749,072 S \* 2/2016 Ji ..... D10/38  
 D750,521 S \* 3/2016 Poesel ..... D10/104.1  
 D751,069 S \* 3/2016 Choi ..... D10/32  
 D752,042 S \* 3/2016 Fujita ..... D10/38  
 D752,043 S \* 3/2016 Ji ..... D10/38  
 D752,046 S \* 3/2016 Jun ..... D14/344  
 D752,578 S \* 3/2016 Ji ..... D14/344  
 9,274,555 B2 \* 3/2016 Otsuka ..... A61B 5/02422  
 D753,625 S \* 4/2016 Young ..... D14/203.5  
 D753,654 S \* 4/2016 Eastwood ..... D11/4  
 D754,356 S \* 4/2016 Lee ..... D11/3  
 D756,359 S \* 5/2016 Bailey ..... D11/19  
 D757,721 S \* 5/2016 Dallmeyer ..... D14/344  
 9,347,749 B2 \* 5/2016 Olah ..... F41H 9/10  
 D758,900 S \* 6/2016 Garner ..... D10/70  
 D759,516 S \* 6/2016 Ling ..... D10/30  
 D761,685 S \* 7/2016 Reaux ..... D11/26  
 D765,549 S \* 9/2016 Khodapanah ..... D12/114  
 D766,234 S \* 9/2016 Francis ..... D11/4  
 D767,565 S \* 9/2016 Francis ..... D11/4  
 D768,300 S \* 10/2016 Felix ..... D14/344  
 D768,622 S \* 10/2016 Kim ..... D14/344  
 D770,443 S \* 11/2016 Francis ..... D14/341  
 D772,867 S \* 11/2016 Park ..... D10/39  
 D773,459 S \* 12/2016 Jun ..... D14/344  
 D775,543 S \* 1/2017 Zah ..... D11/3  
 D779,358 S \* 2/2017 Lin ..... D11/4  
 D779,366 S \* 2/2017 Rose ..... D11/26  
 D779,367 S \* 2/2017 Rose ..... D11/26  
 D779,989 S \* 2/2017 Lee ..... D10/70  
 9,568,891 B2 \* 2/2017 Adams ..... G04G 21/08  
 D781,273 S \* 3/2017 Nuk ..... D14/240  
 D783,624 S \* 4/2017 Reaux ..... D14/447  
 D789,336 S \* 6/2017 Nuk ..... D14/240  
 D789,337 S \* 6/2017 Nuk ..... D14/240  
 D792,888 S \* 7/2017 Herrmann ..... D14/480.3  
 D794,013 S \* 8/2017 Heck ..... D11/5  
 D794,261 S \* 8/2017 Pulliam ..... D30/152  
 D795,719 S \* 8/2017 Lean ..... D10/39  
 D800,109 S \* 10/2017 Rouillac ..... D14/344  
 D801,331 S \* 10/2017 Bosveld ..... D14/344  
 D805,418 S \* 12/2017 Lowe ..... D11/3  
 2004/0209657 A1 \* 10/2004 Ghassabian ..... H04B 1/385  
 455/575.1

2005/0066563 A1 \* 3/2005 Juhan ..... E05B 73/0017  
 40/633  
 2005/0237704 A1 \* 10/2005 Ceresoli ..... G06F 1/163  
 361/679.03  
 2006/0203621 A1 \* 9/2006 Brodmann ..... A44C 5/0092  
 368/281  
 2006/0219742 A1 \* 10/2006 Chen ..... A44C 5/003  
 224/148.4  
 2006/0261958 A1 \* 11/2006 Klein ..... A01K 11/006  
 340/572.8  
 2007/0058295 A1 \* 3/2007 Lasser ..... G06K 19/04  
 360/131  
 2007/0066088 A1 \* 3/2007 Rambosek ..... H05K 5/0278  
 439/37  
 2008/0041898 A1 \* 2/2008 Chou ..... A45C 13/008  
 224/219  
 2009/0175130 A1 \* 7/2009 Hilfiker ..... A61B 5/02438  
 368/10  
 2009/0177129 A1 \* 7/2009 Chan ..... A61H 23/0254  
 601/112  
 2011/0209374 A1 \* 9/2011 Padgett ..... A44C 5/0015  
 40/633  
 2014/0039804 A1 \* 2/2014 Park ..... A61B 5/0002  
 702/19  
 2014/0049946 A1 \* 2/2014 Schrimmer ..... F21V 33/0008  
 362/103  
 2014/0298858 A1 \* 10/2014 Chang ..... A44C 5/0007  
 63/1.13  
 2015/0065204 A1 \* 3/2015 Sung ..... H02J 7/0045  
 455/573  
 2015/0277559 A1 \* 10/2015 Vescovi ..... G06F 3/014  
 345/173

OTHER PUBLICATIONS

Deister Electronic GmbH Unikon Pigeon Rings UCR3 Electronic Pigeon Rings for Race Flight, 2017 <http://unikon-system.com/en/products/pigeon-rings/>.  
 Shenzhen Goldbridge Industrial Co., Ltd Pigeon Leg RFID ring tag plastic 125hz em4100 bird racing RFID tags Model ACM-TAG015 Brand Name: ACM, 2017 [https://wholesaler.alibaba.com/product-detail/pigeon-leg-RFID-ring-tag-plastic\\_60547428089.html](https://wholesaler.alibaba.com/product-detail/pigeon-leg-RFID-ring-tag-plastic_60547428089.html).  
 XCC RFID Racing pigeon Rings LF, 2017 [http://www.xccrfid.com/rfid-racing-pigeon-rings-lf\\_p55.html](http://www.xccrfid.com/rfid-racing-pigeon-rings-lf_p55.html).

\* cited by examiner

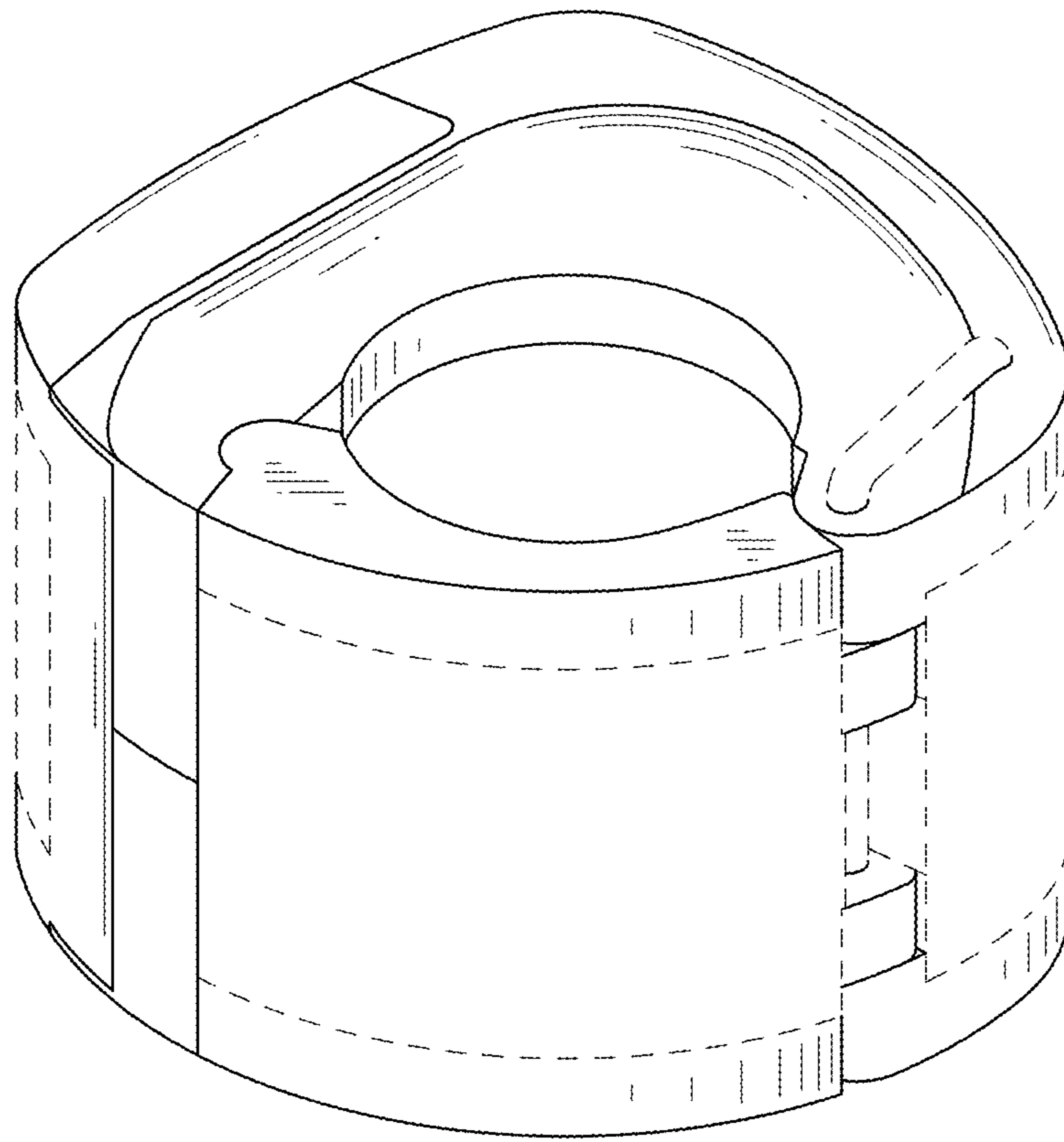


FIG.1

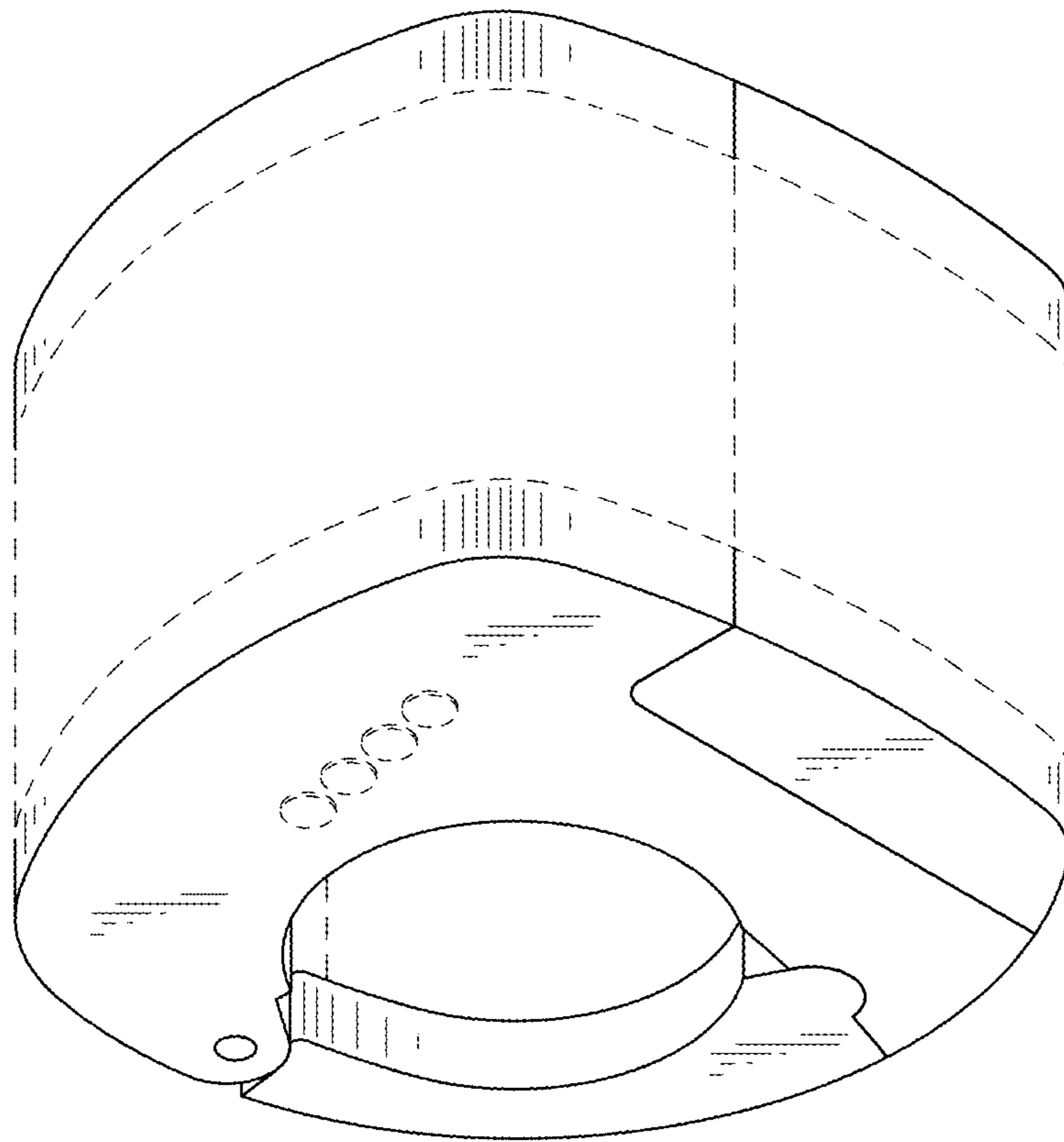


FIG.2

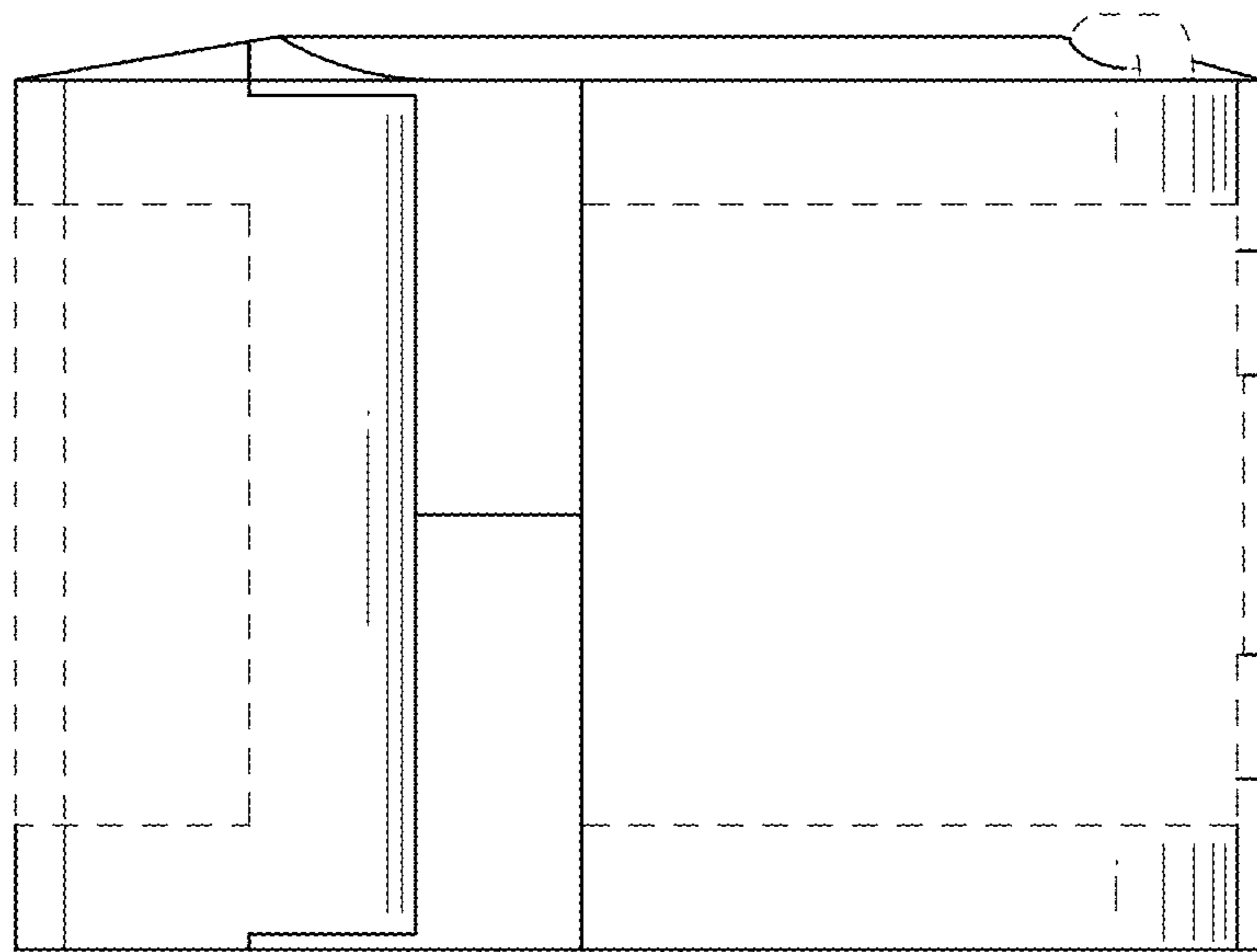


FIG.3

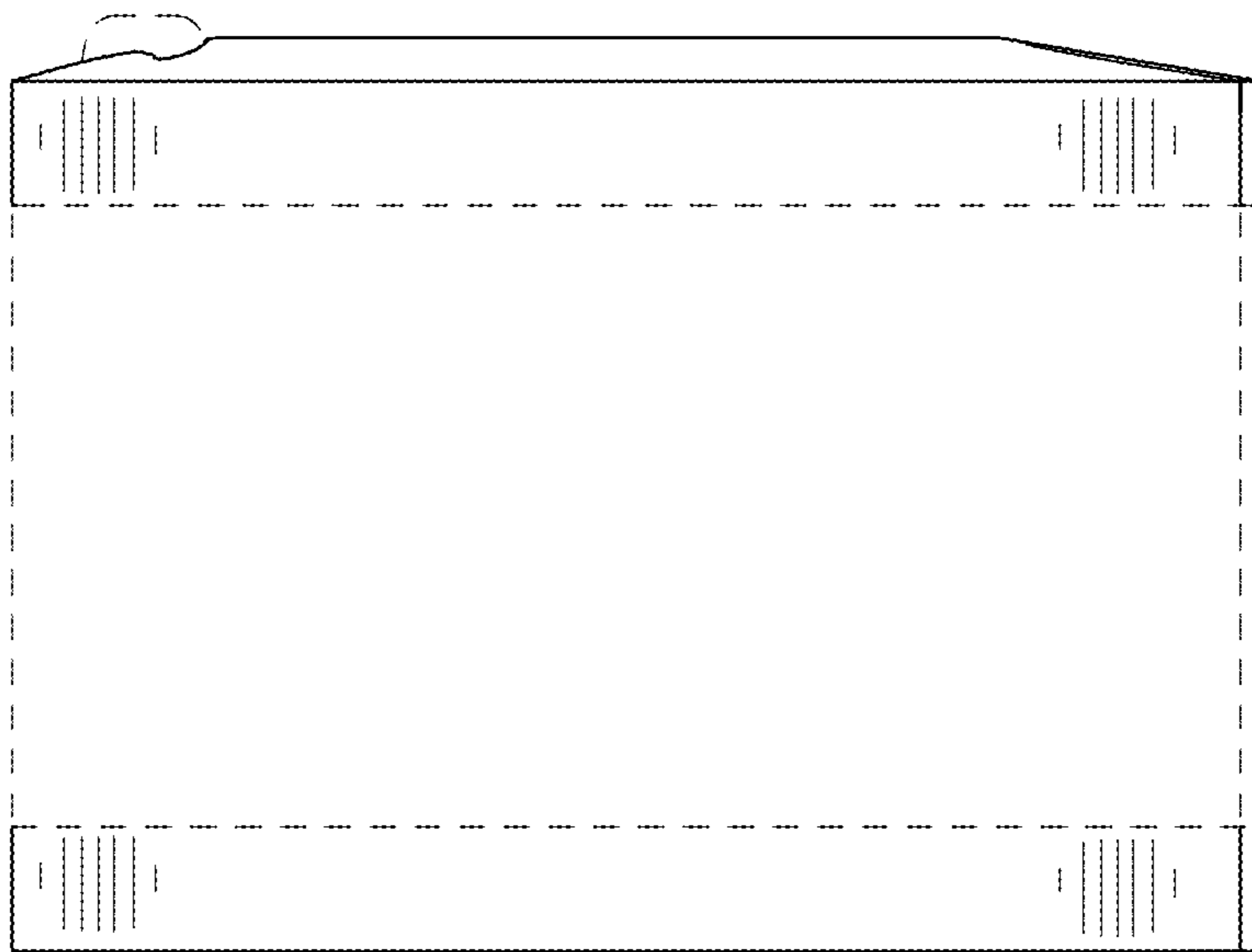


FIG.4

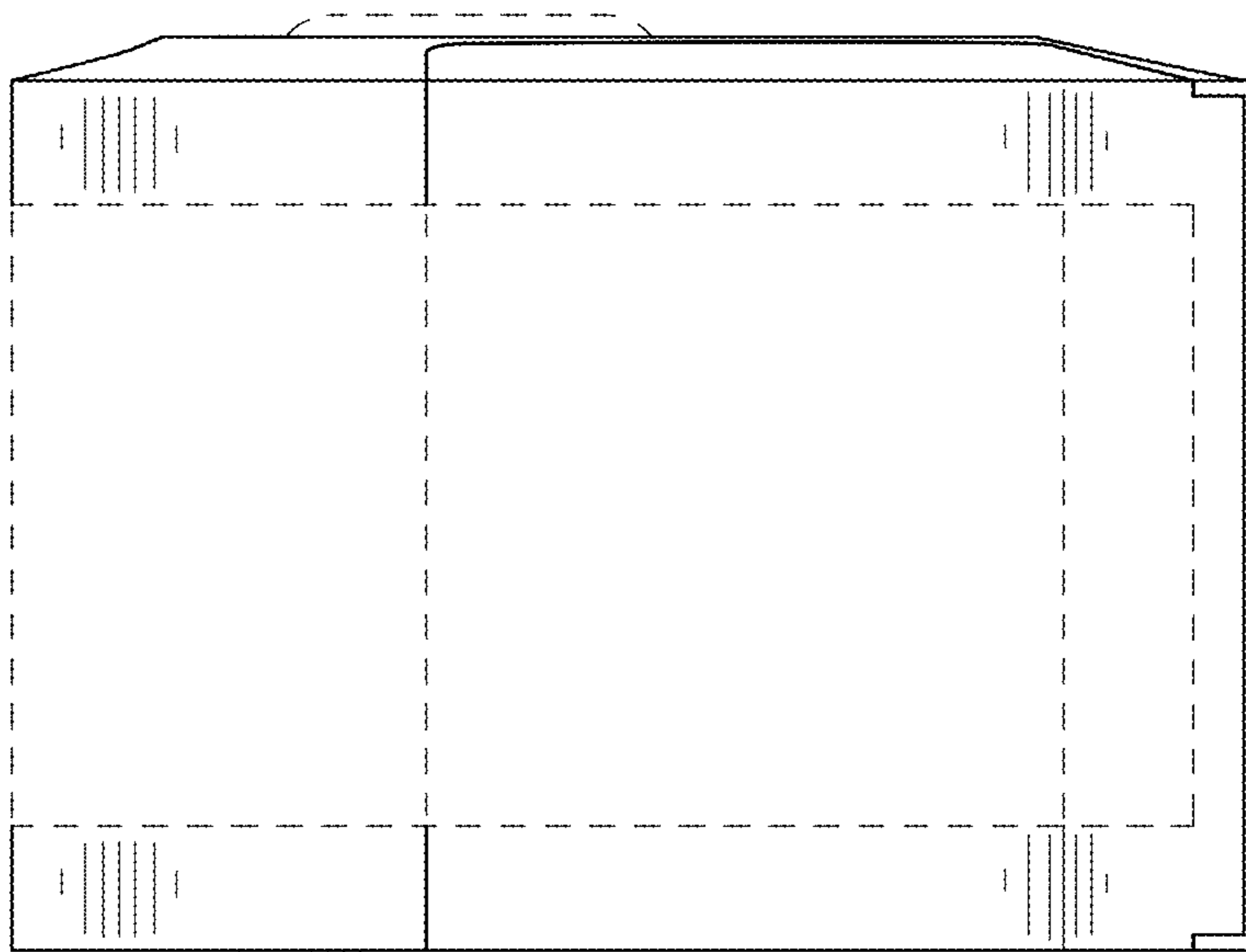


FIG.5



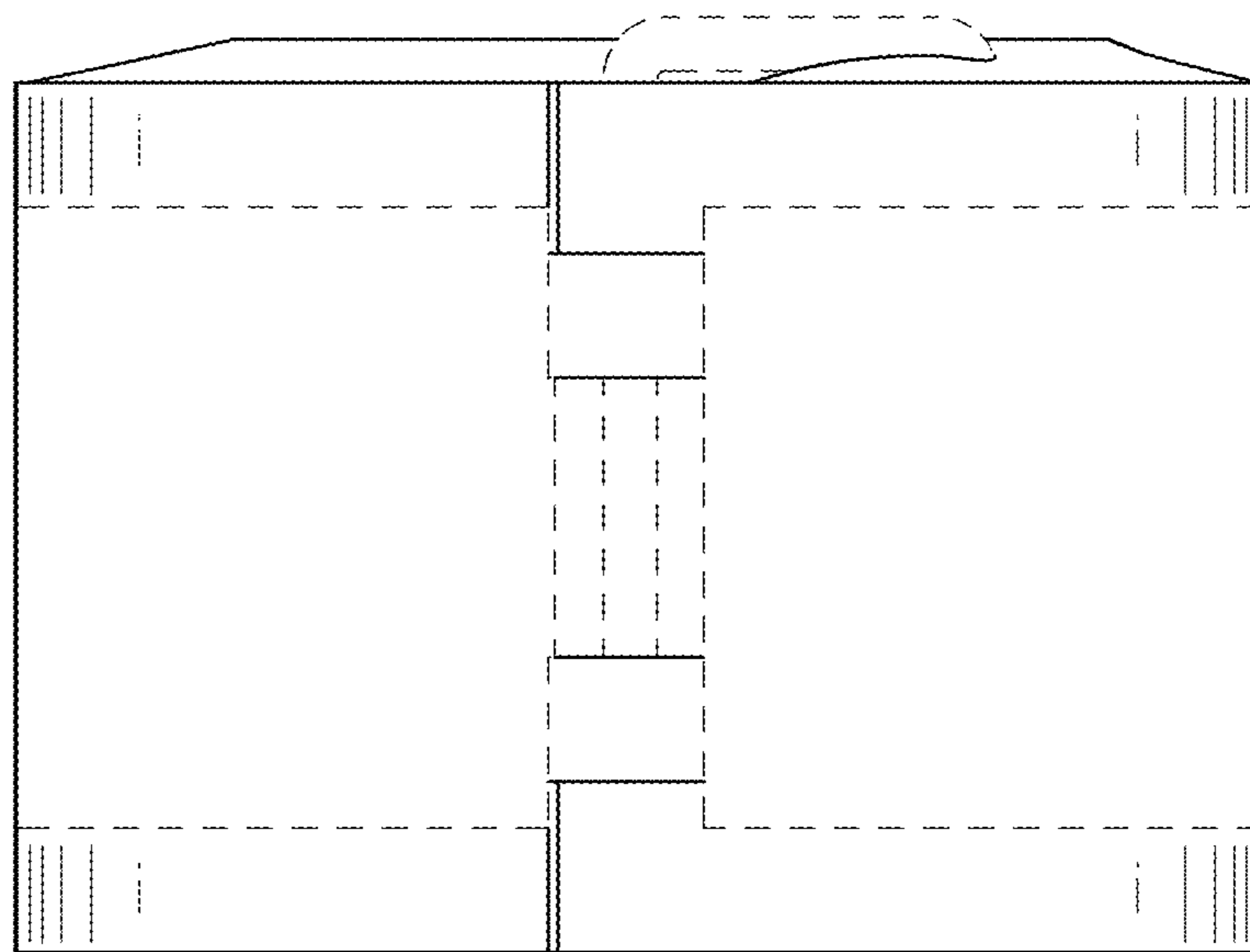


FIG.6

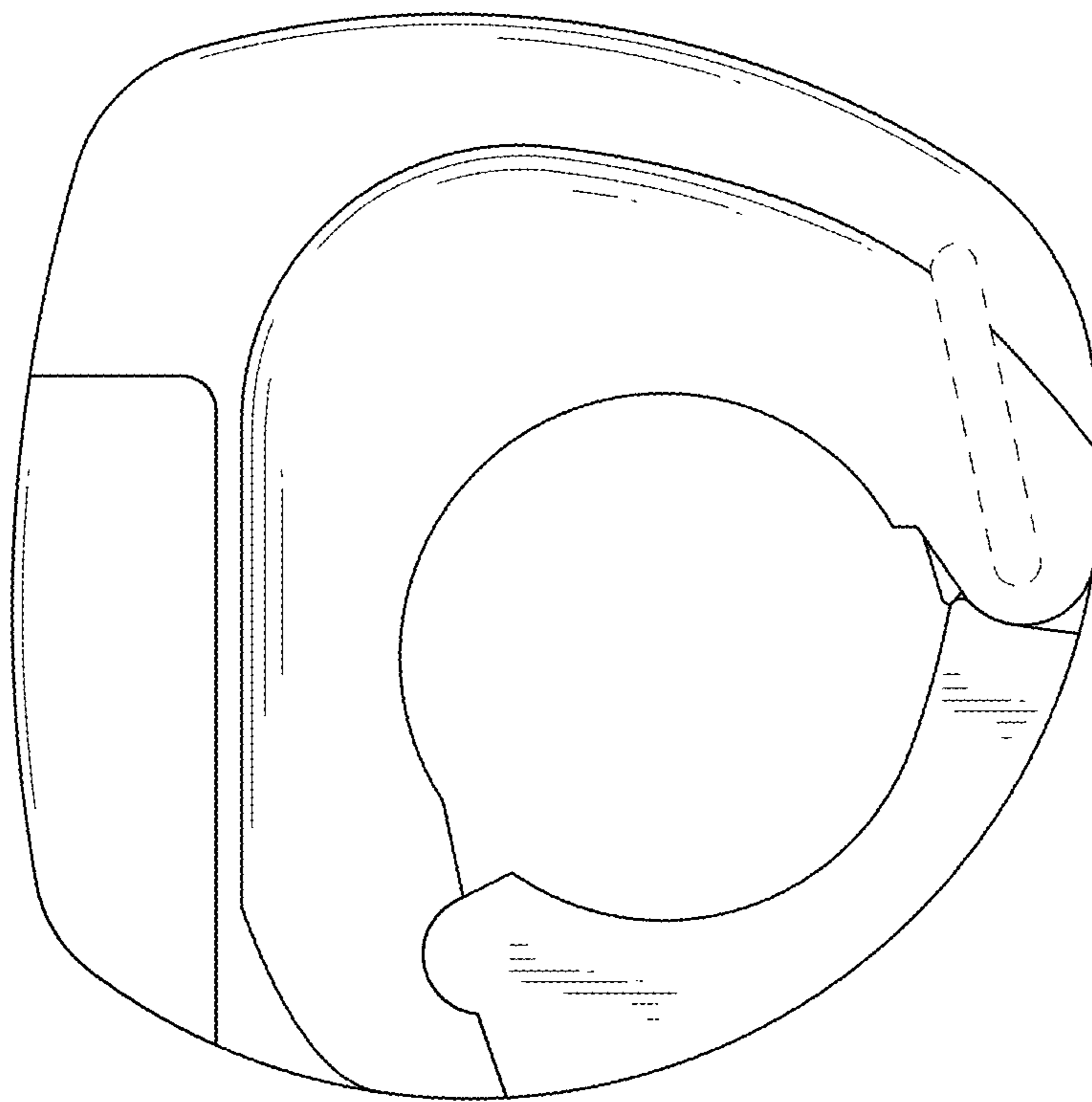


FIG.7

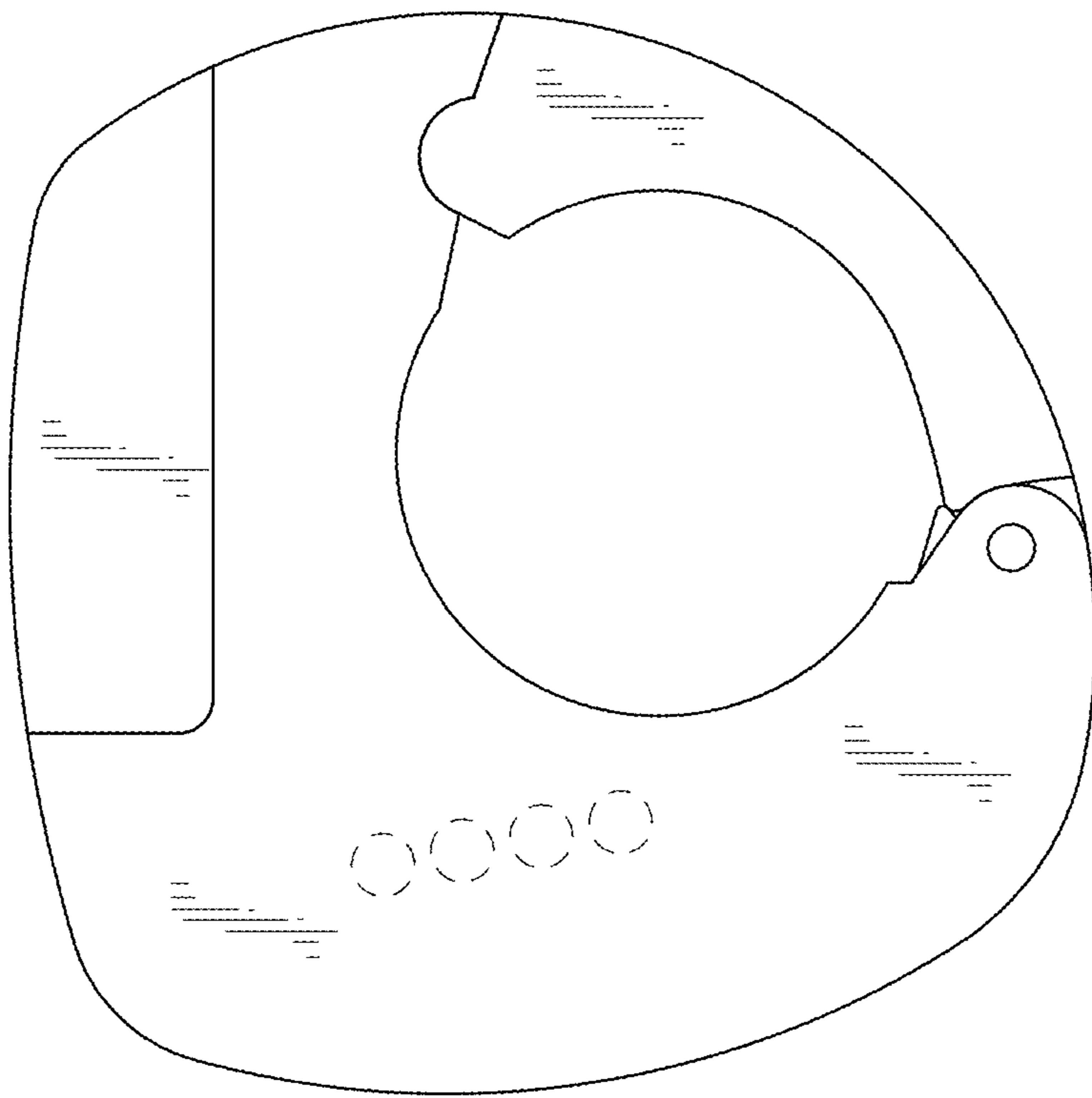


FIG. 8

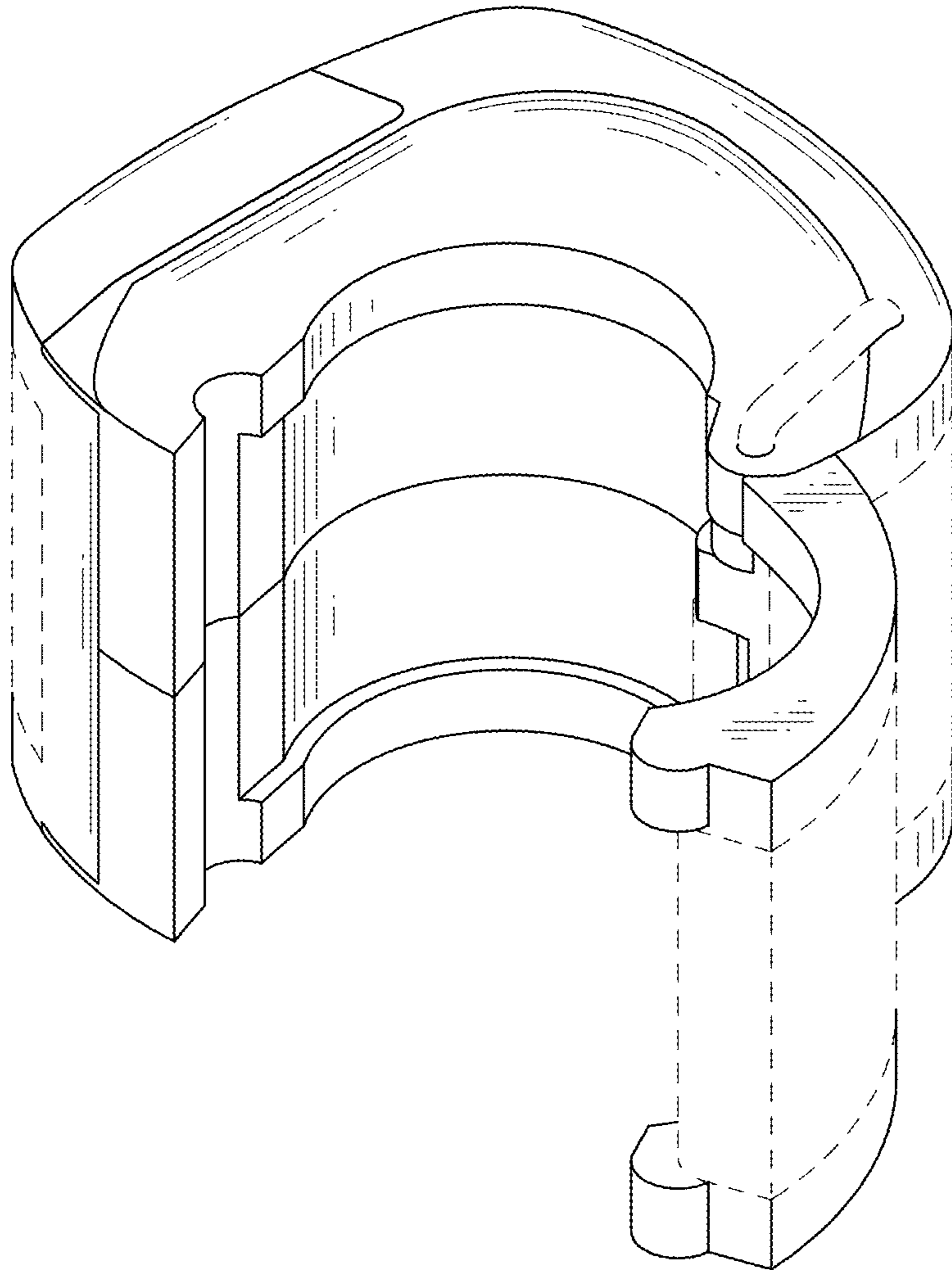


FIG.9