



US00D815366S

(12) **United States Design Patent** (10) **Patent No.:** **US D815,366 S**
Kao (45) **Date of Patent:** **** Apr. 10, 2018**

(54) **RACING PIGEON FOOT RING**
(71) Applicant: **Shu-Hui Kao**, Taichung (TW)
(72) Inventor: **Shu-Hui Kao**, Taichung (TW)
(**) Term: **15 Years**
(21) Appl. No.: **29/571,370**
(22) Filed: **Jul. 18, 2016**
(51) **LOC (11) Cl.** **30-08**
(52) **U.S. Cl.**
USPC **D30/155; D30/199**
(58) **Field of Classification Search**
USPC D30/155, 199, 144-146, 151-153;
119/856, 858, 859, 860, 863, 865, 654,
119/712-714, 716, 720-726, 762, 763,
119/792, 816, 818, 850, 853, 174, 855,
119/862, 760, 789, 796, 815, 821;
D11/2, 3, 4, 26, 5-25, 27-39, 131, 131.1,
D11/133, 140, 155, 157, 93, 79, 80,
D11/81-83, 86, 40-44, 94, 200, 201, 106,
D11/114-116, 99, 220; 40/304, 300, 665,
40/640, 633, 726, 776, 617; 63/3, 3.1,
63/3.2, 5, 15.1-15.4, 15.45, 15.5, 15.6,
63/15.65, 15.7, 26-28, 1.11, 1.13-1.17,
63/5.1, 6, 7, 12, 15, 21, 33, 40, 41, 23,
63/14.1, 18-20, 11; D10/30-32, 111, 98,
D10/70, 78, 104.1; D24/211, 167;
D28/41; D23/366, 367; D8/383, 349,
D8/394, 395, 396; D6/332, 468;
D21/683; D5/45, 46, 7, 13; D29/120.1,
D29/100, 101.5; D2/609, 627, 614, 628,
D2/624, 632, 894; D26/11, 26, 113-118;
D20/10, 22, 27, 40, 42, 11; D9/434;
428/690; 359/516; 2/232, 22, 468, 338;
424/411; 600/38, 301; 24/180, 625, 188,
24/662, 647; 439/352; 206/347;
362/103, 104, 216, 335, 108; 283/72, 74,
283/75, 103, 105, 106, 449; 229/72, 92,
(Continued)

(56) **References Cited**
U.S. PATENT DOCUMENTS
1,509,335 A * 9/1924 Bockin E05B 75/00
70/16
1,687,020 A * 10/1928 Herzog A44C 9/00
63/15
(Continued)

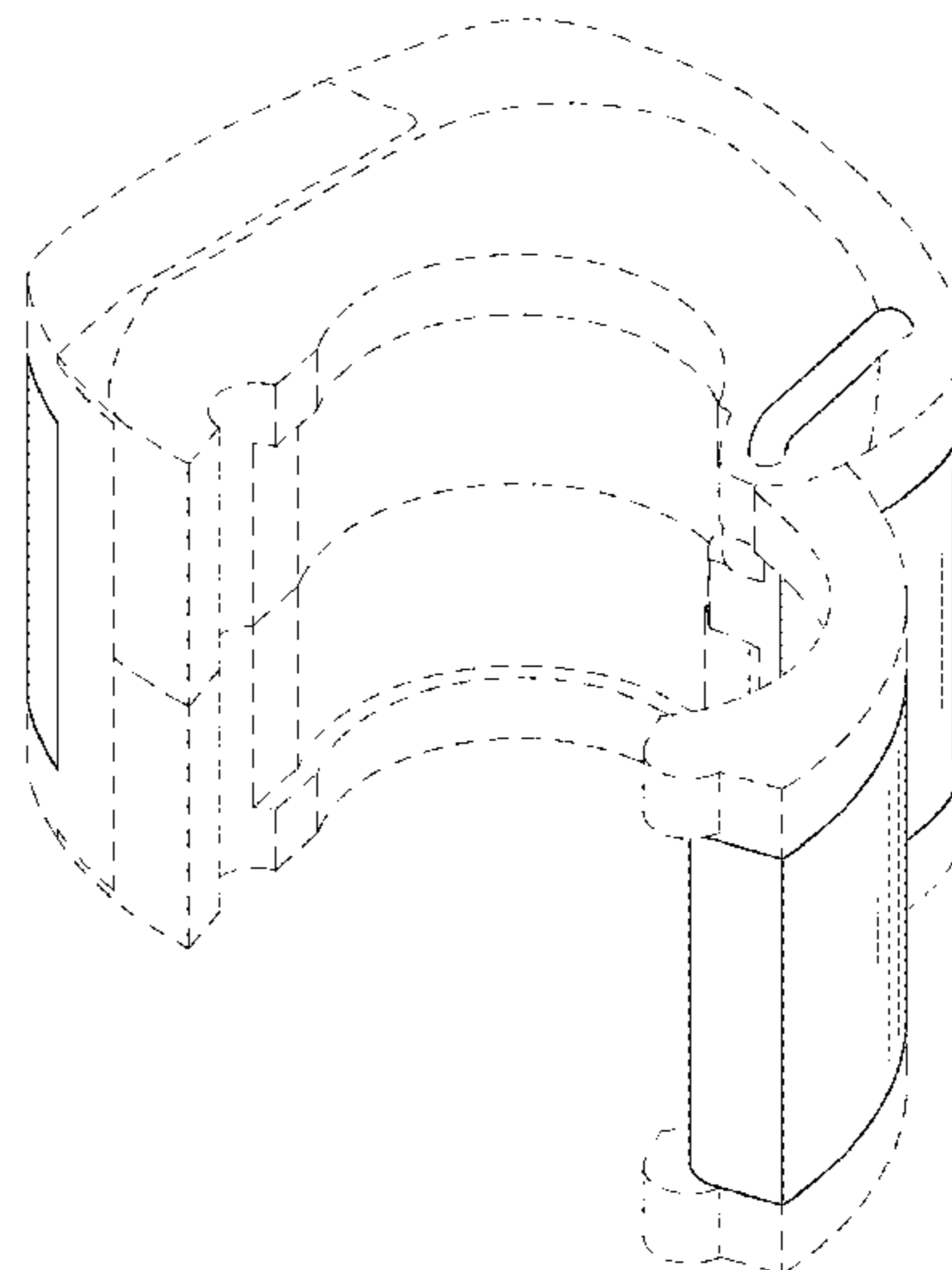
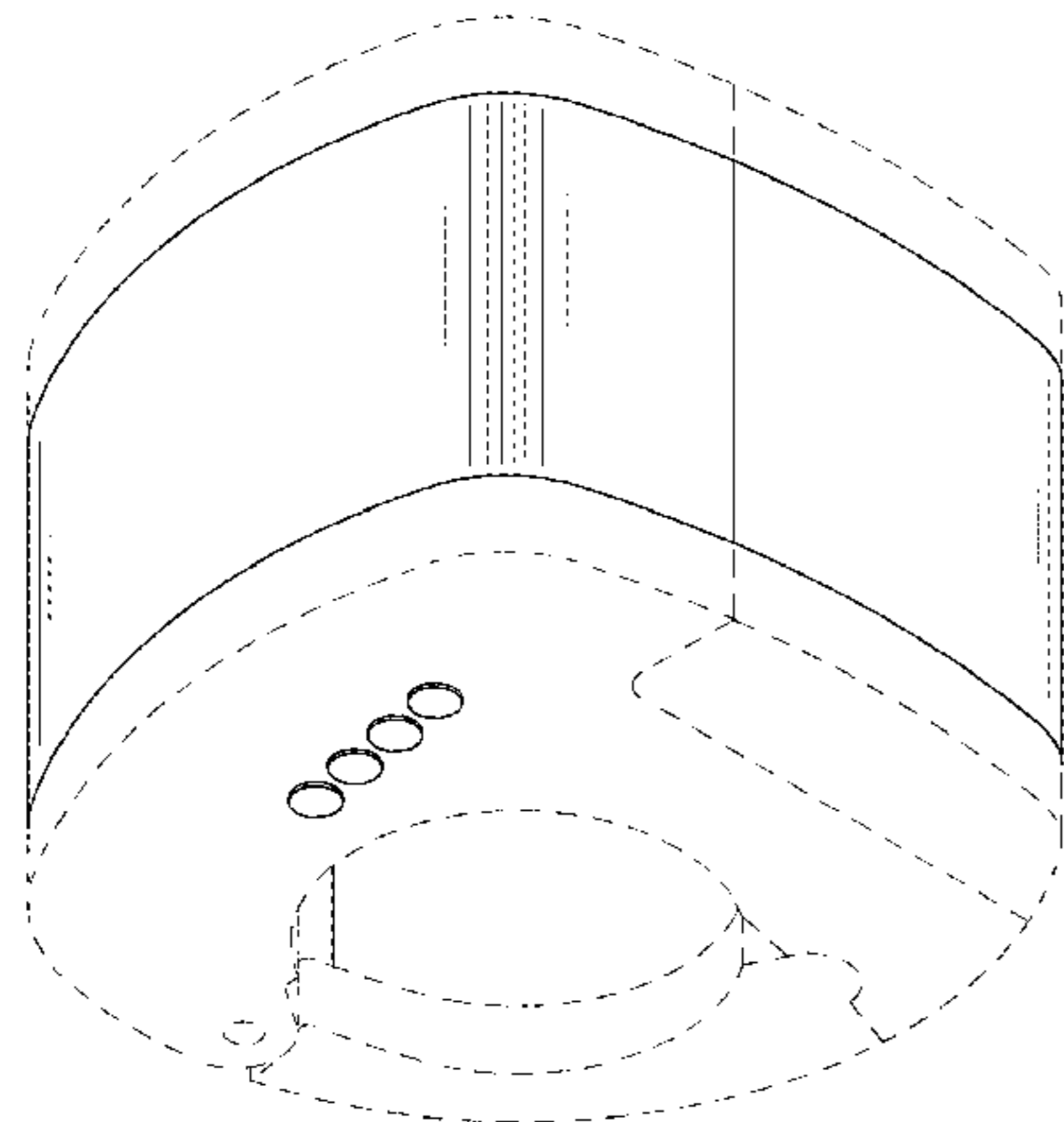
OTHER PUBLICATIONS
Hitags 256 Chip Foot Ring for Racing Pigeon w/ Tracking Control,
2017 <http://szstarcad.en.made-in-china.com/product/XCMmztjknWB/China-Hitags256-Chip-Foot-Ring-for-Racing-Pigeon-Tracking-Control.html>.
(Continued)

Primary Examiner — Susan Moon Lee
(74) *Attorney, Agent, or Firm* — patenttm.us

(57) **CLAIM**
The ornamental design for a racing pigeon foot ring, as shown and described.

DESCRIPTION
FIG. 1 is a perspective view of a racing pigeon foot ring, showing my new design;
FIG. 2 is another perspective view thereof;
FIG. 3 is a front view thereof;
FIG. 4 is rear front view thereof;
FIG. 5 is a left side view thereof;
FIG. 6 is a right side view thereof;
FIG. 7 is a top view thereof;
FIG. 8 is a bottom view thereof; and,
FIG. 9 is an operational perspective view thereof showing a gate of the racing pigeon foot ring opened.
The elements depicted in broken line represent unclaimed features of the racing pigeon foot ring and form no part of the claimed design.

1 Claim, 9 Drawing Sheets



US D815,366 S

(58) **Field of Classification Search**
 USPC 229/92.1, 300-303; 224/222, 184, 249,
 224/676; D14/344, 341, 203.5, 427;
 D3/218; 70/19, 15, 16; 340/531,
 340/539.11-539.19, 539.24, 8.1, 573.4,
 340/573.1, 573.3, 573.2; 455/456.1,
 455/404.2, 575.2, 575.6, 90.1, 90.3
 CPC A01K 35/00; A01K 13/00; G09F 3/005;
 G09F 3/02; A44C 5/00; A44C 5/0007;
 A44C 5/0015; A44C 5/0023; A44C
 5/003; A44C 5/0053; A44C 5/0084; A44C
 5/14; A44C 5/18; A44C 5/2076; E05B
 75/00; A61F 5/37; A61F 5/3723; Y10T
 70/404; Y10T 70/409; Y10T 70/411;
 G07C 9/00111; G01S 13/02; G01S 13/74;
 G01V 3/08; G01V 3/165
 See application file for complete search history.

(56) **References Cited**
 U.S. PATENT DOCUMENTS

2,064,934 A * 12/1936 Marshall A44C 5/0092
 63/15
 2,235,350 A * 3/1941 Anderson A44C 15/002
 206/37
 2,522,852 A * 9/1950 Apps A44C 5/0092
 63/7
 2,533,049 A * 12/1950 Rosenfeld A44C 5/003
 132/314
 2,570,662 A * 10/1951 Gray E05B 75/00
 70/16
 3,592,028 A * 7/1971 La Monica A44B 11/12
 24/191
 D224,541 S * 8/1972 Burrige D14/222
 D238,725 S * 2/1976 Zerobnick 224/679
 4,383,374 A * 5/1983 Bertero G01C 9/12
 33/373
 D285,543 S * 9/1986 Moser D10/32
 4,612,719 A * 9/1986 de Jong A01K 11/006
 119/859
 4,694,284 A * 9/1987 Leveille G08B 21/0297
 340/539.1
 D294,228 S * 2/1988 Palazzo D10/15
 D300,731 S * 4/1989 Flinchbaugh D11/26
 4,972,684 A * 11/1990 Aitken A44C 15/002
 63/7
 5,217,143 A * 6/1993 Aitken A44C 15/002
 206/823
 5,274,613 A * 12/1993 Seager H04B 1/385
 368/13
 D347,733 S * 6/1994 Miller 224/221
 5,358,144 A * 10/1994 Mock F41H 9/10
 222/175
 5,434,759 A * 7/1995 Endo G09F 13/22
 362/103
 D388,333 S * 12/1997 Wunderman D10/32
 D405,381 S * 2/1999 Perrin D11/4
 D410,206 S * 5/1999 Slater D10/104.1
 D413,531 S * 9/1999 Philippe D10/32
 6,035,035 A * 3/2000 Firooz H04B 1/385
 379/433.1
 6,123,228 A * 9/2000 Hippensteel A44C 9/0053
 222/153.11
 6,150,950 A * 11/2000 Shen Liu A44C 15/0015
 340/321
 6,160,481 A * 12/2000 Taylor, Jr. A61B 5/1112
 340/539.1
 6,212,414 B1 * 4/2001 Alameh H04B 1/385
 455/347
 D442,508 S * 5/2001 Torres D11/4
 6,297,808 B1 * 10/2001 Yang G06F 3/03549
 345/167

D460,430 S * 7/2002 Wada D10/31
 6,447,457 B1 * 9/2002 Forstner A61B 5/022
 600/485
 D466,487 S * 12/2002 Wada D10/31
 D466,488 S * 12/2002 Wada D10/31
 D466,879 S * 12/2002 Wada D10/31
 D471,471 S * 3/2003 Fu D10/32
 6,552,714 B1 * 4/2003 Vust G06F 3/0338
 345/157
 6,703,936 B2 * 3/2004 Hill G07C 9/00111
 340/573.1
 D523,769 S * 6/2006 Arlanda D11/26
 D526,885 S * 8/2006 Kelleghan D8/356
 D543,192 S * 5/2007 Jung D10/31
 D547,328 S * 7/2007 Kin D14/496
 D549,221 S * 8/2007 Yagi D11/4
 7,289,031 B1 * 10/2007 Hock G08B 21/22
 340/539.13
 D556,194 S * 11/2007 Rambosek D11/2
 D567,227 S * 4/2008 Hada D11/4
 D567,676 S * 4/2008 Tang D10/32
 D568,768 S * 5/2008 Tang D10/30
 D576,501 S * 9/2008 Tang D10/31
 D578,918 S * 10/2008 Aninye D10/104.1
 D584,972 S * 1/2009 Aeberhard D10/32
 D586,331 S * 2/2009 Francz D14/218
 D594,000 S * 6/2009 Yeon D14/226
 D600,570 S * 9/2009 Zinder D10/31
 D621,693 S * 8/2010 Dong D8/356
 D621,726 S * 8/2010 Lattmann D10/38
 D640,367 S * 6/2011 Lin D24/107
 D643,428 S * 8/2011 Janky D14/240
 8,090,418 B2 * 1/2012 Thiel H04B 1/385
 455/575.2
 D665,952 S * 8/2012 Guo D30/152
 D669,382 S * 10/2012 Alvarez D11/3
 D669,384 S * 10/2012 Alvarez D11/3
 8,301,211 B2 * 10/2012 Lee H04M 1/274525
 340/539.11
 D673,334 S * 12/2012 Guo D30/152
 D688,584 S * 8/2013 Cobbett D11/3
 8,514,070 B2 * 8/2013 Roper G08B 21/0286
 340/539.13
 D703,069 S * 4/2014 Adams D10/31
 8,725,842 B1 * 5/2014 Al-Nasser G04G 17/08
 367/11
 D709,047 S * 7/2014 Jennings D14/167
 D711,002 S * 8/2014 Ohnemus D24/186
 D711,269 S * 8/2014 Esposito D10/70
 D712,930 S * 9/2014 Lee D14/496
 D714,179 S * 9/2014 Park D11/3
 D720,249 S * 12/2014 Park D11/3
 D721,292 S * 1/2015 Choi D10/70
 D721,701 S * 1/2015 Al-Nasser D14/344
 D721,981 S * 2/2015 Choi D10/70
 D725,071 S * 3/2015 Lee D14/138 R
 D725,510 S * 3/2015 Henning D10/70
 D726,139 S * 4/2015 Park D14/138 R
 D726,140 S * 4/2015 Park D14/138 R
 D726,572 S * 4/2015 Walters D11/3
 D726,678 S * 4/2015 Park D14/138 R
 D727,187 S * 4/2015 Sullivan D10/70
 D727,188 S * 4/2015 Sullivan D10/70
 D727,195 S * 4/2015 Wanliss-Orlebar D11/3
 D730,347 S * 5/2015 Jung D14/344
 D730,763 S * 6/2015 Haapakoski D10/70
 D732,528 S * 6/2015 Kim D14/344
 D733,130 S * 6/2015 Kim D14/344
 D734,329 S * 7/2015 Lee D14/344
 D735,587 S * 8/2015 Squires D10/32
 D736,767 S * 8/2015 Lee D14/344
 D737,715 S * 9/2015 Coin D11/3
 D739,274 S * 9/2015 Chen D10/70
 9,129,503 B2 * 9/2015 Borlenghi G08B 21/0269
 D740,827 S * 10/2015 Sun D14/427
 D742,373 S * 11/2015 Ji D10/38
 D742,875 S * 11/2015 Ji D10/32
 D744,869 S * 12/2015 Dallmeyer D10/32

(56)

References Cited

U.S. PATENT DOCUMENTS

D745,513 S * 12/2015 Jung D14/344
 D746,477 S * 12/2015 Cha D24/186
 D747,660 S * 1/2016 Coin D11/3
 D749,072 S * 2/2016 Ji D10/38
 D750,521 S * 3/2016 Poesel D10/104.1
 D751,069 S * 3/2016 Choi D10/32
 D752,042 S * 3/2016 Fujita D10/38
 D752,043 S * 3/2016 Ji D10/38
 D752,046 S * 3/2016 Jun D14/344
 D752,578 S * 3/2016 Ji D14/344
 9,274,555 B2 * 3/2016 Otsuka A61B 5/02422
 D753,625 S * 4/2016 Young D14/203.5
 D753,654 S * 4/2016 Eastwood D11/4
 D754,356 S * 4/2016 Lee D11/3
 D756,359 S * 5/2016 Bailey D11/19
 D757,721 S * 5/2016 Dallmeyer D14/344
 9,347,749 B2 * 5/2016 Olah F41H 9/10
 D758,900 S * 6/2016 Garner D10/70
 D759,516 S * 6/2016 Ling D10/30
 D761,685 S * 7/2016 Reaux D11/26
 D765,549 S * 9/2016 Khodapanah D12/114
 D766,234 S * 9/2016 Francis D11/4
 D767,565 S * 9/2016 Francis D11/4
 D768,300 S * 10/2016 Felix D14/344
 D768,622 S * 10/2016 Kim D14/344
 D770,443 S * 11/2016 Francis D14/341
 D772,867 S * 11/2016 Park D10/39
 D773,459 S * 12/2016 Jun D14/344
 D775,543 S * 1/2017 Zah D11/3
 D779,358 S * 2/2017 Lin D11/4
 D779,366 S * 2/2017 Rose D11/26
 D779,367 S * 2/2017 Rose D11/26
 D779,989 S * 2/2017 Lee D10/70
 9,568,891 B2 * 2/2017 Adams G04G 21/08
 D781,273 S * 3/2017 Nuk D14/240
 D783,624 S * 4/2017 Reaux D14/447
 D789,336 S * 6/2017 Nuk D14/240
 D789,337 S * 6/2017 Nuk D14/240
 D792,888 S * 7/2017 Herrmann D14/480.3
 D794,013 S * 8/2017 Heck D11/5
 D794,261 S * 8/2017 Pulliam D30/152
 D795,719 S * 8/2017 Lean D10/39
 D800,109 S * 10/2017 Rouillac D14/344
 D801,331 S * 10/2017 Bosveld D14/344
 D805,418 S * 12/2017 Lowe D11/3
 2004/0209657 A1 * 10/2004 Ghassabian H04B 1/385
 455/575.1

2005/0066563 A1 * 3/2005 Juhan E05B 73/0017
 40/633
 2005/0237704 A1 * 10/2005 Ceresoli G06F 1/163
 361/679.03
 2006/0203621 A1 * 9/2006 Brodmann A44C 5/0092
 368/281
 2006/0219742 A1 * 10/2006 Chen A44C 5/003
 224/148.4
 2006/0261958 A1 * 11/2006 Klein A01K 11/006
 340/572.8
 2007/0058295 A1 * 3/2007 Lasser G06K 19/04
 360/131
 2007/0066088 A1 * 3/2007 Rambosek H05K 5/0278
 439/37
 2008/0041898 A1 * 2/2008 Chou A45C 13/008
 224/219
 2009/0175130 A1 * 7/2009 Hilfiker A61B 5/02438
 368/10
 2009/0177129 A1 * 7/2009 Chan A61H 23/0254
 601/112
 2011/0209374 A1 * 9/2011 Padgett A44C 5/0015
 40/633
 2014/0039804 A1 * 2/2014 Park A61B 5/0002
 702/19
 2014/0049946 A1 * 2/2014 Schrimmer F21V 33/0008
 362/103
 2014/0298858 A1 * 10/2014 Chang A44C 5/0007
 63/1.13
 2015/0065204 A1 * 3/2015 Sung H02J 7/0045
 455/573
 2015/0277559 A1 * 10/2015 Vescovi G06F 3/014
 345/173

OTHER PUBLICATIONS

Deister Electronic GmbH Unikon Pigeon Rings UCR3 Electronic Pigeon Rings for Race Flight, 2017 <http://unikon-system.com/en/products/pigeon-rings/>.
 Shenzhen Goldbridge Industrial Co., Ltd Pigeon Leg RFID ring tag plastic 125hz em4100 bird racing RFID tags Model ACM-TAG015 Brand Name: ACM, 2017 https://wholesaler.alibaba.com/product-detail/pigeon-leg-RFID-ring-tag-plastic_60547428089.html.
 XCC RFID Racing pigeon Rings LF, 2017 http://www.xccrfid.com/rfid-racing-pigeon-rings-lf_p55.html.

* cited by examiner

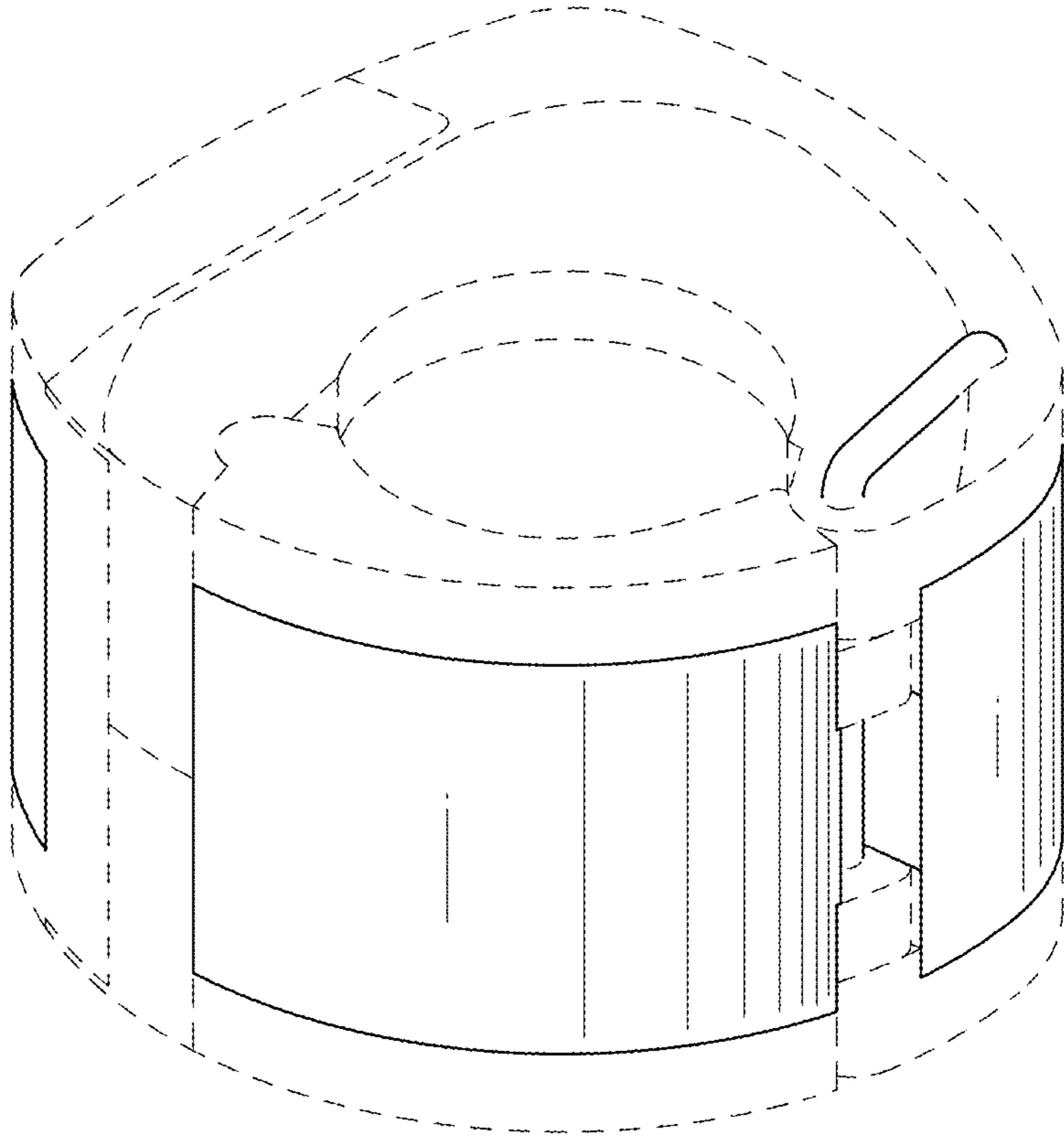


FIG.1

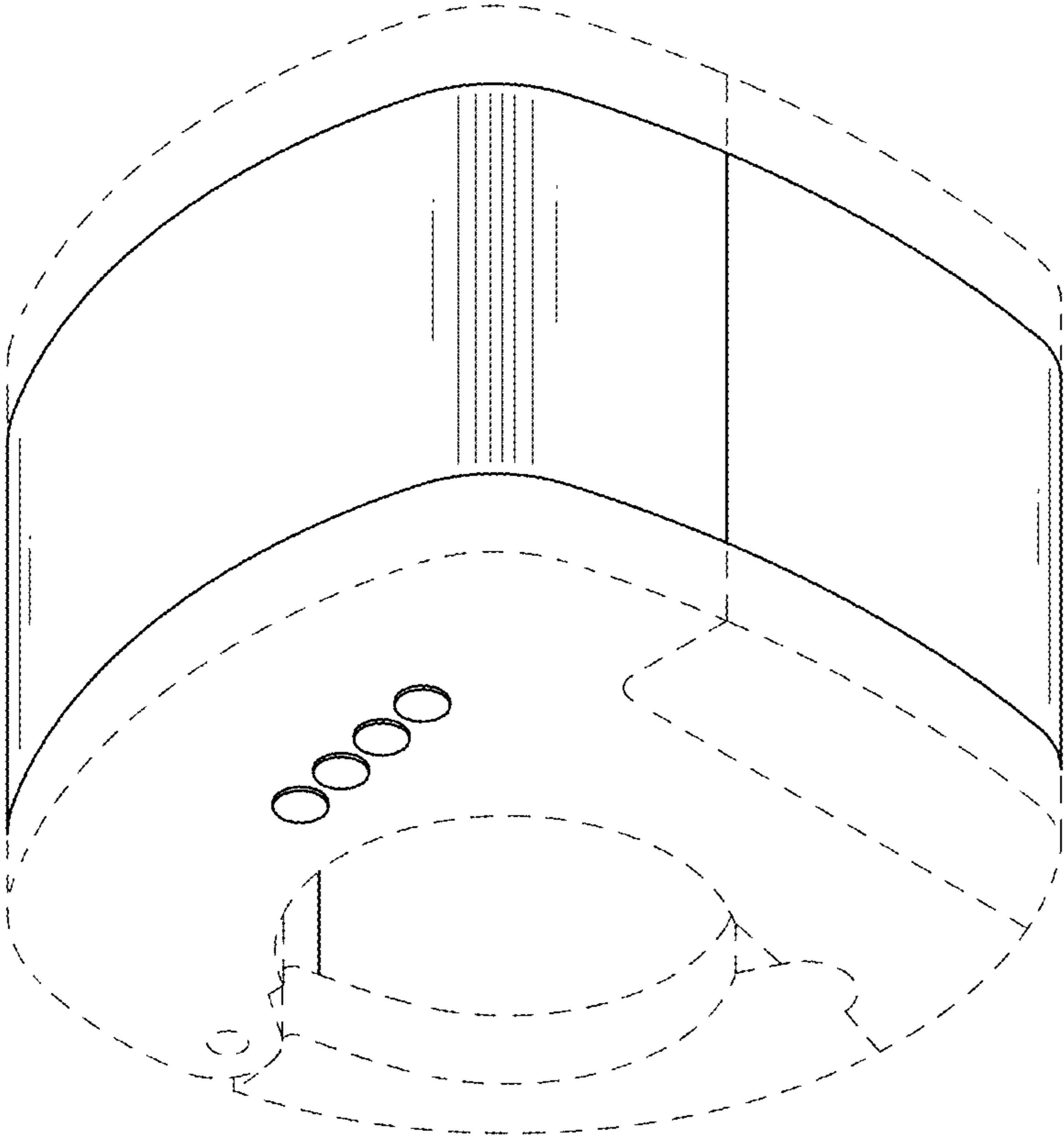


FIG.2

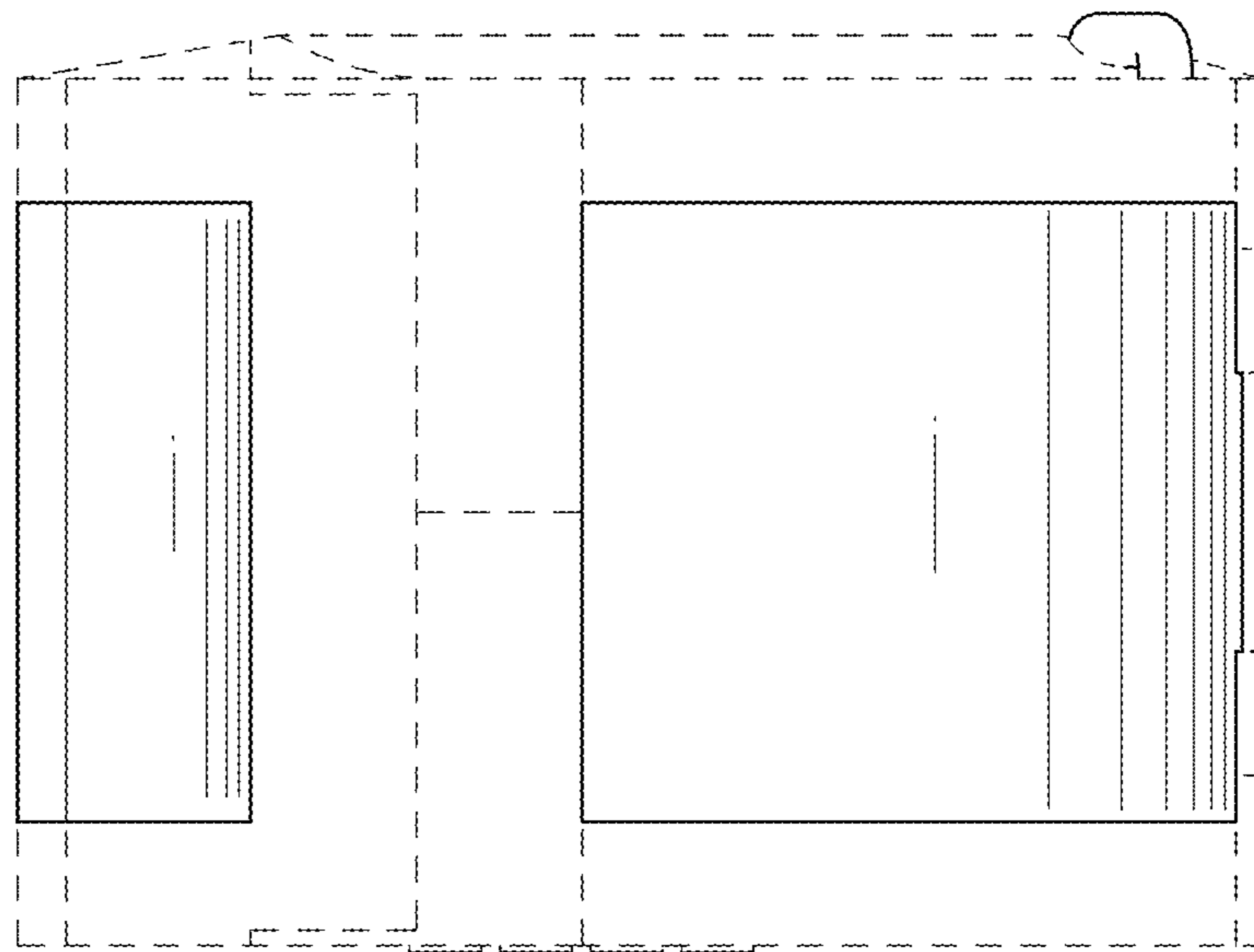


FIG.3

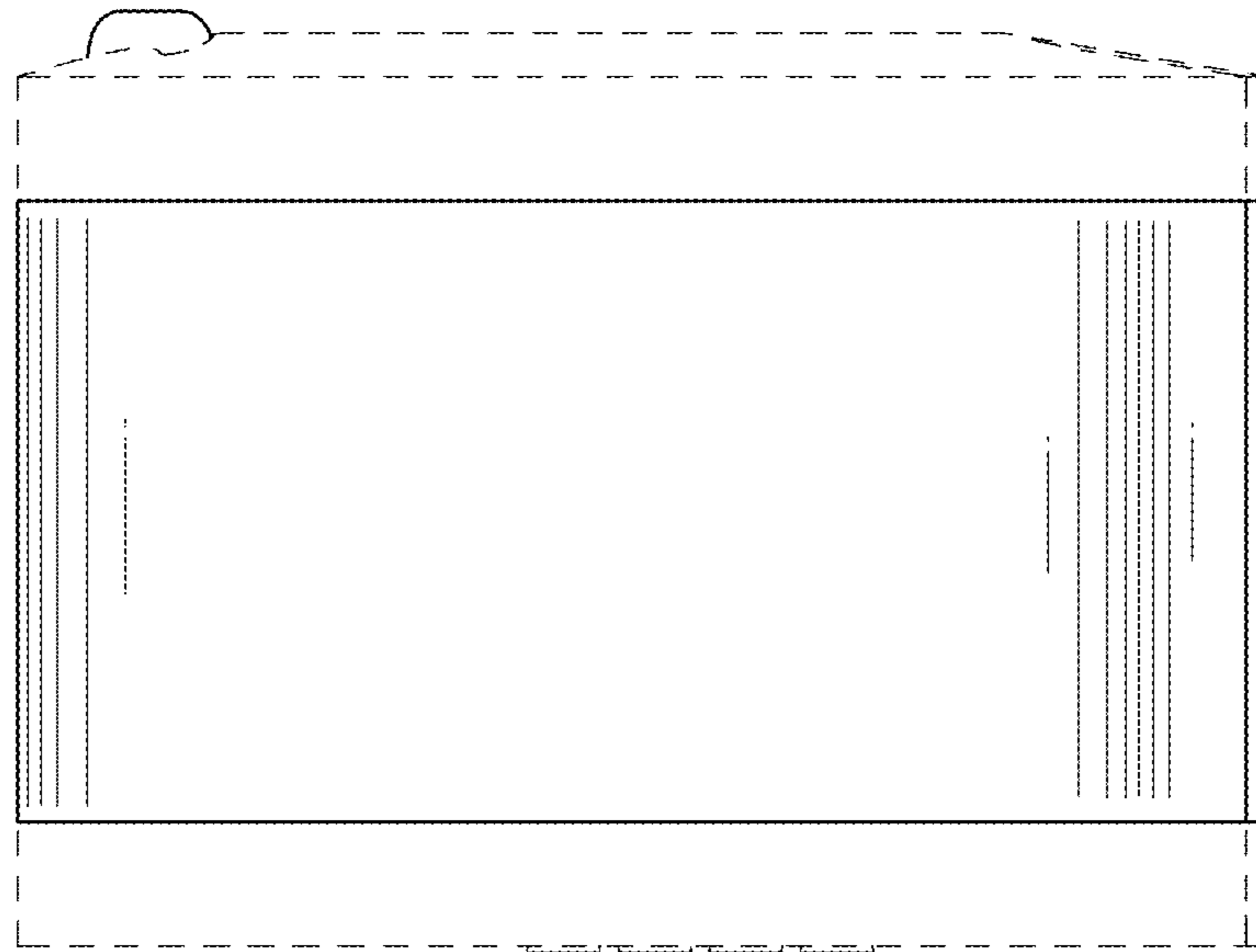


FIG.4

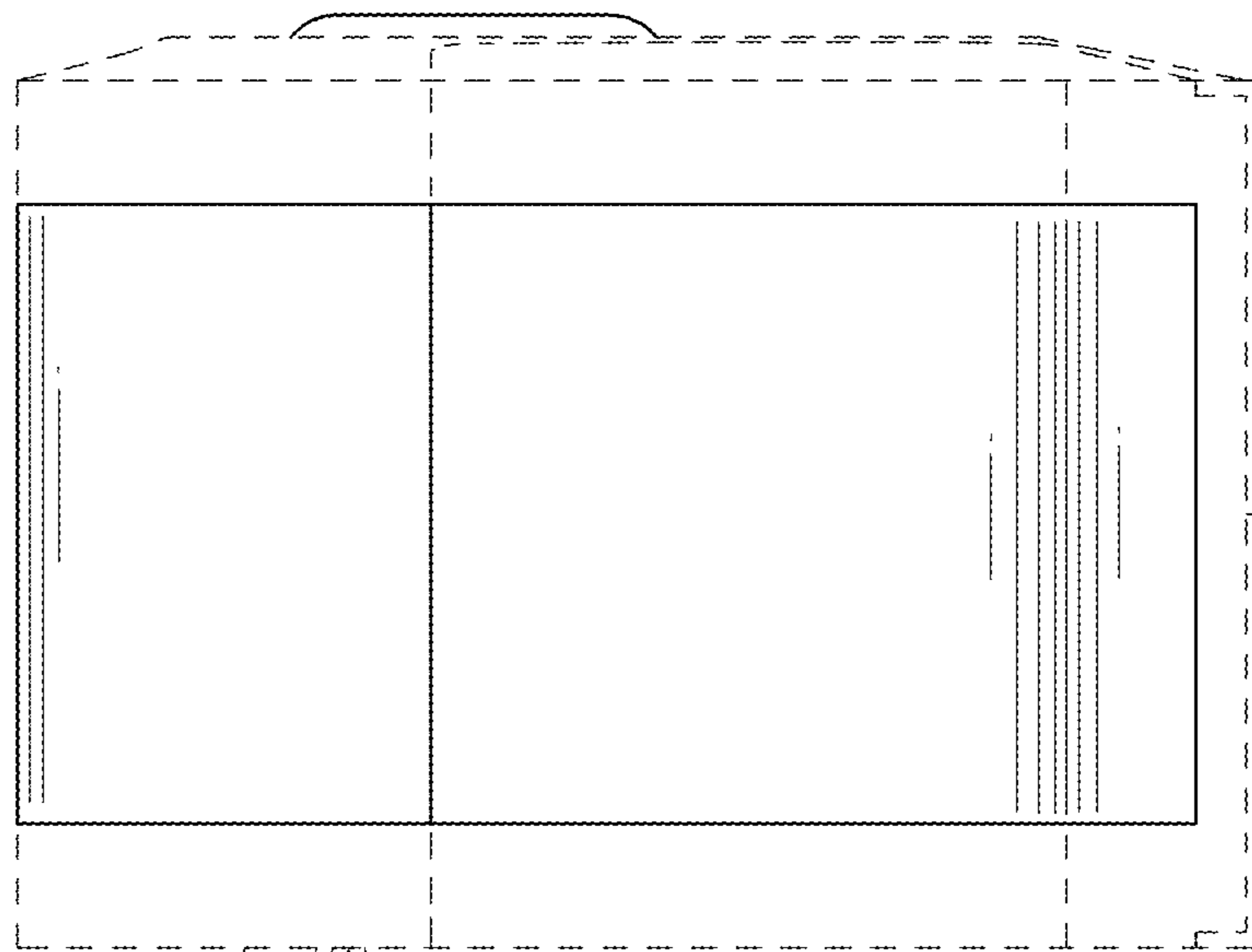


FIG.5

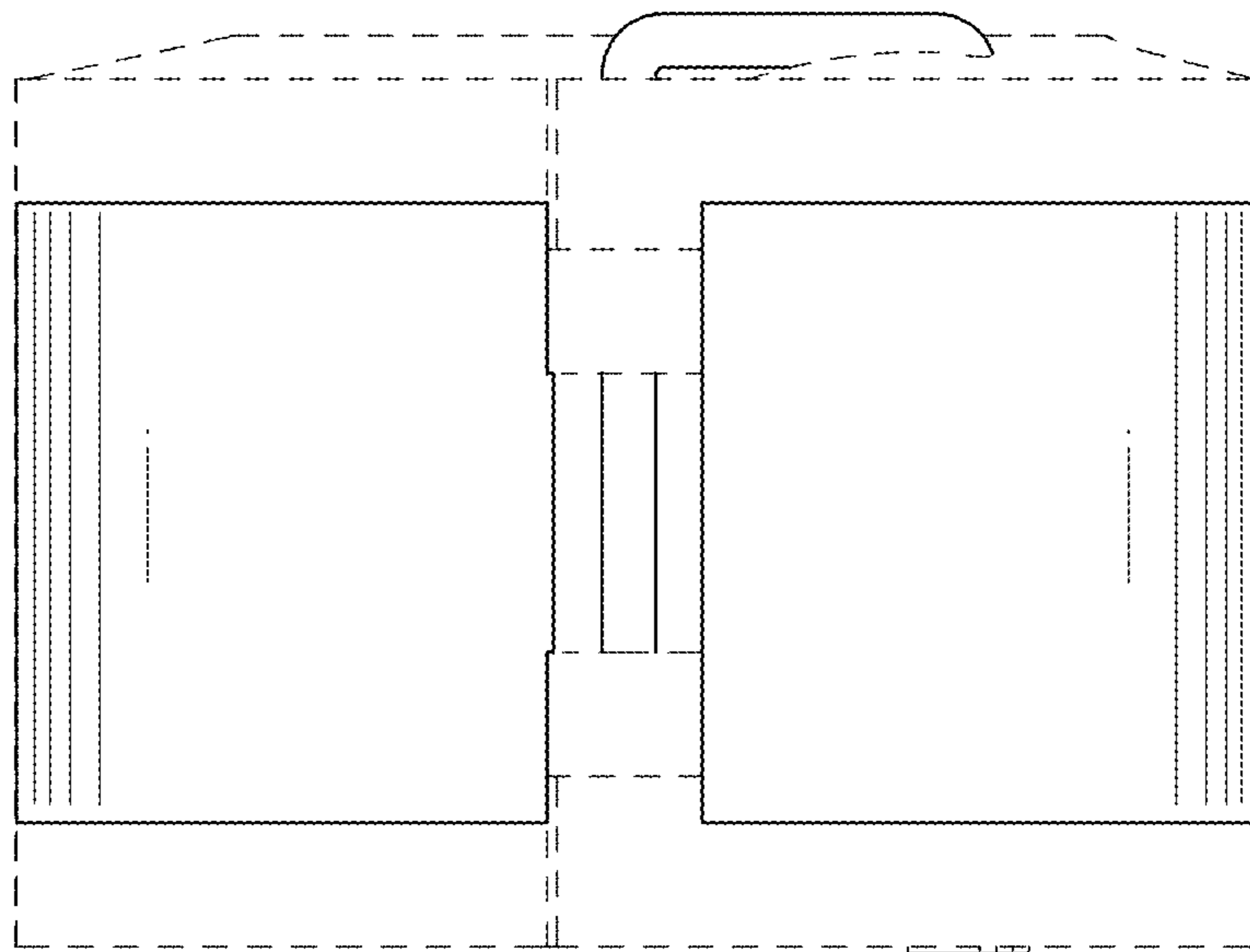


FIG.6

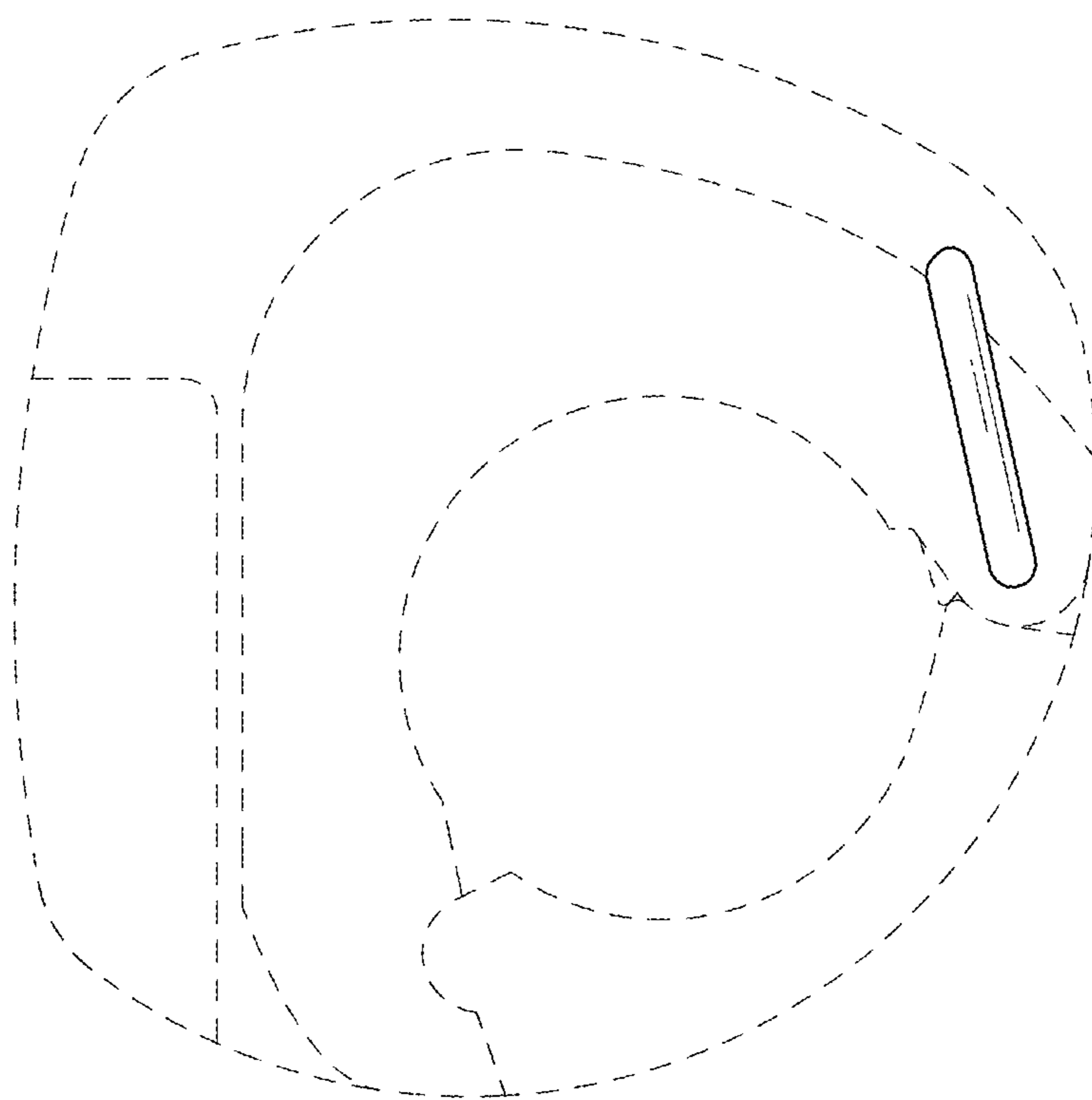


FIG. 7

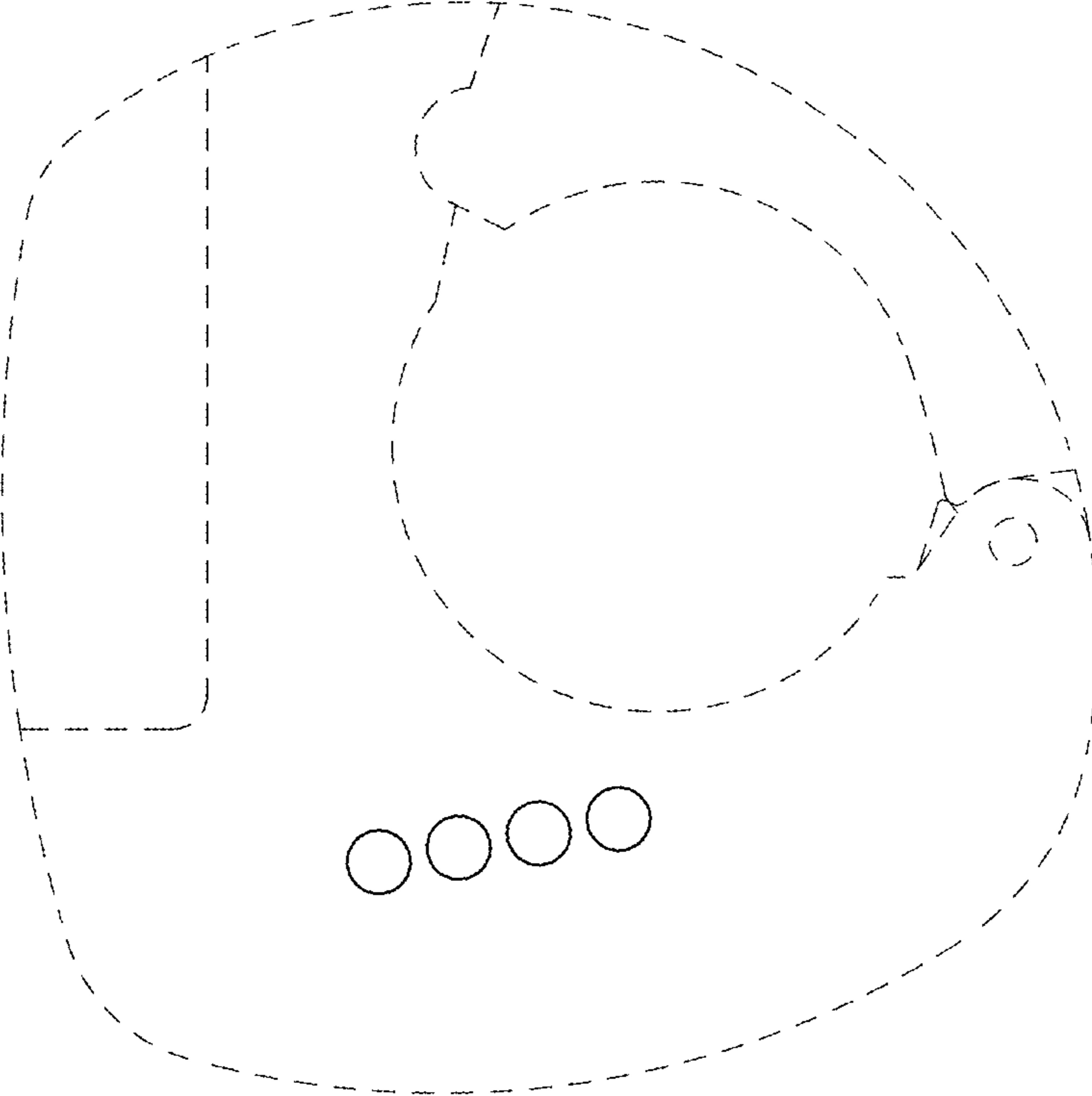


FIG.8

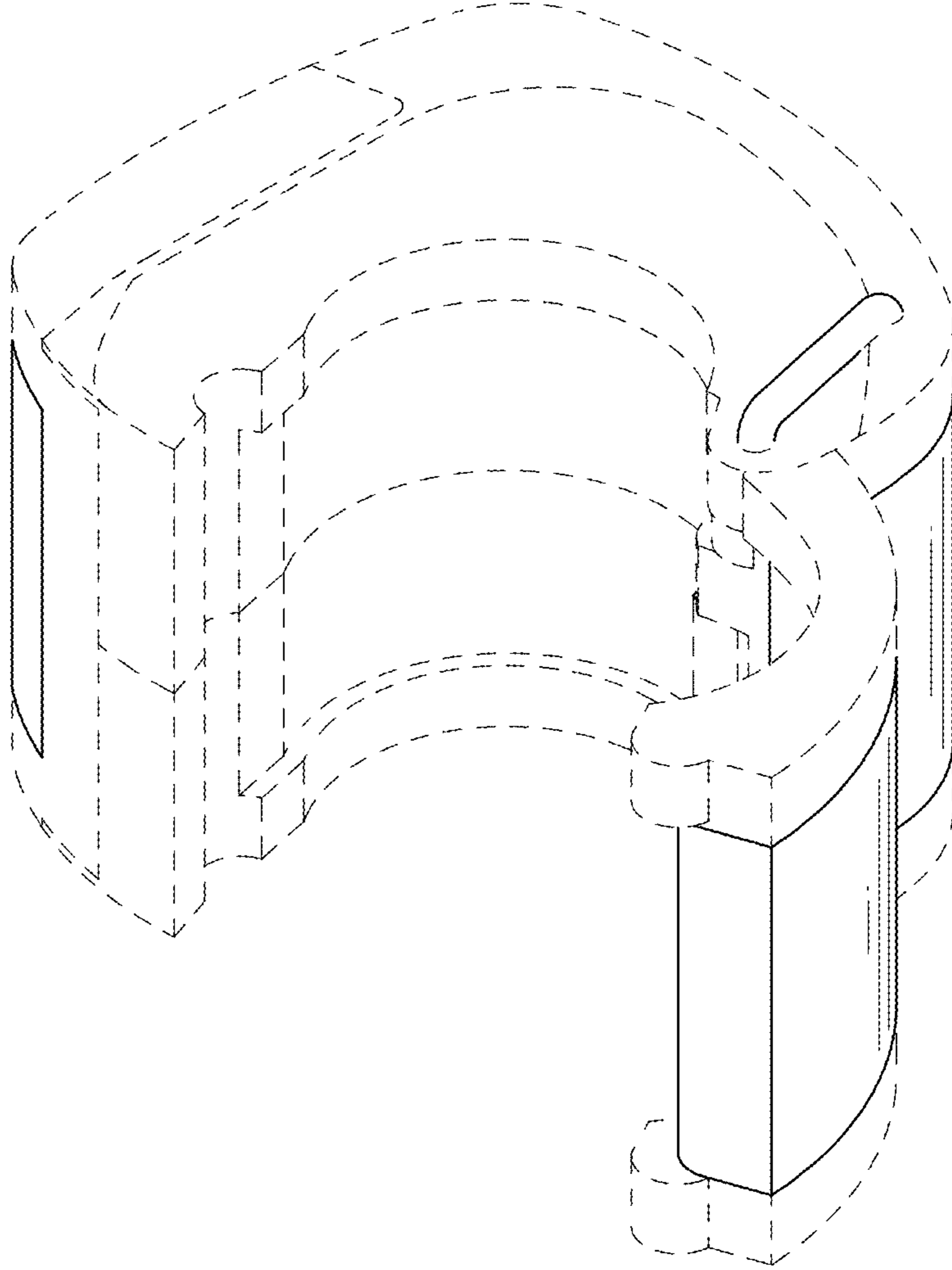


FIG.9