



US00D815358S

(12) **United States Design Patent** (10) **Patent No.:** **US D815,358 S**  
**Wolfe** (45) **Date of Patent:** **\*\* Apr. 10, 2018**

(54) **COSMETICS CASE**  
(71) Applicant: **Barnett Wolfe**, Port Washington, NY (US)  
(72) Inventor: **Barnett Wolfe**, Port Washington, NY (US)  
(\*\*) Term: **15 Years**  
(21) Appl. No.: **29/550,916**  
(22) Filed: **Jan. 8, 2016**  
(51) **LOC (11) Cl.** ..... **28-03**  
(52) **U.S. Cl.**  
USPC ..... **D28/83**  
(58) **Field of Classification Search**  
USPC ..... D28/76-84; D9/503-504  
CPC ..... A45D 33/00; A45D 33/006-33/16; A45D 33/18; A45D 33/20-33/24; A45D 34/00; A45D 34/007; A45D 40/00; A45D 40/0006; A45D 40/0012; A45D 40/0018; A45D 40/22-40/24; A45D 40/10; A45D 40/105; A45D 2200/05; A45D 2200/051  
See application file for complete search history.

2009/0044826 A1\* 2/2009 Eng ..... A45D 33/008  
132/295  
2010/0051049 A1\* 3/2010 Jaworski ..... A45D 40/24  
132/296  
2012/0000926 A1\* 1/2012 Ki ..... A45D 33/006  
220/826  
2013/0061867 A1\* 3/2013 Kim ..... A45D 33/26  
132/293  
2013/0104927 A1\* 5/2013 Hurst ..... A45D 19/0008  
132/221  
2015/0068550 A1\* 3/2015 Sasaki ..... A45D 40/222  
132/295  
2016/0007714 A1\* 1/2016 Eberlein ..... A45D 33/20  
220/505  
2016/0270507 A1\* 9/2016 Thompson ..... A45D 40/24

**FOREIGN PATENT DOCUMENTS**

WO WO 2016118891 A1 \* 7/2016 ..... A45D 33/006  
\* cited by examiner

*Primary Examiner* — Jennifer Rivard  
(74) *Attorney, Agent, or Firm* — Thomas A. O'Rourke; Bodner & O'Rourke, LLP

(57) **CLAIM**

I claim the ornamental design for a cosmetics case, as shown and described.

(56) **References Cited**

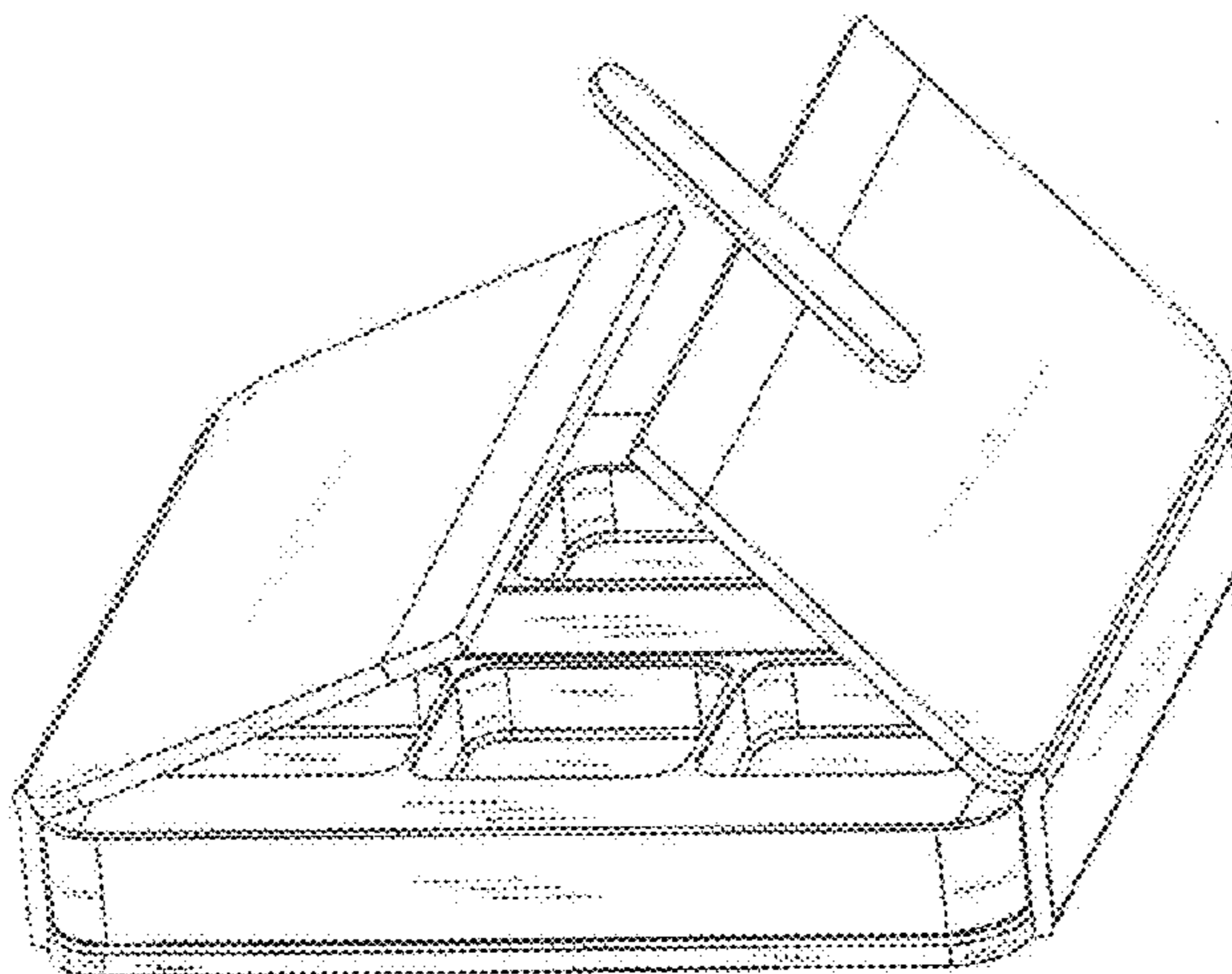
**U.S. PATENT DOCUMENTS**

D148,815 S \* 2/1948 Olevin ..... 132/295  
D303,163 S \* 8/1989 Bakic ..... D28/78  
D355,486 S \* 2/1995 Ikeda ..... D24/133  
D409,801 S \* 5/1999 Kim ..... D28/83  
6,223,754 B1 \* 5/2001 Burdi ..... A45D 33/006  
132/295  
D465,305 S \* 11/2002 Thorpe ..... D28/83  
D473,681 S \* 4/2003 Thorpe ..... D28/83  
D476,116 S \* 6/2003 Cohen ..... D28/83  
D627,931 S \* 11/2010 Barresi ..... D28/83  
7,828,000 B2 \* 11/2010 Lee ..... A45D 33/006  
132/287  
D723,742 S \* 3/2015 Shteyssel ..... D28/83  
D759,895 S \* 6/2016 Wawoe ..... D28/78

**DESCRIPTION**

FIG. 1 is a perspective view of the cosmetics case of the present invention with the lids partially opened.  
FIG. 2 is a perspective view of the case of FIG. 1 with both lids fully opened.  
FIG. 3 is a front end view of the case of FIG. 1 with both lids fully closed. The rear view of the case is identical to the front end view shown in FIG. 3.  
FIG. 4 is a top view of the case of FIG. 3.  
FIG. 5 is a bottom view of the case of FIG. 3; and,  
FIG. 6 is a left side view of the case of FIG. 3. The right side is identical to FIG. 6.

**1 Claim, 3 Drawing Sheets**



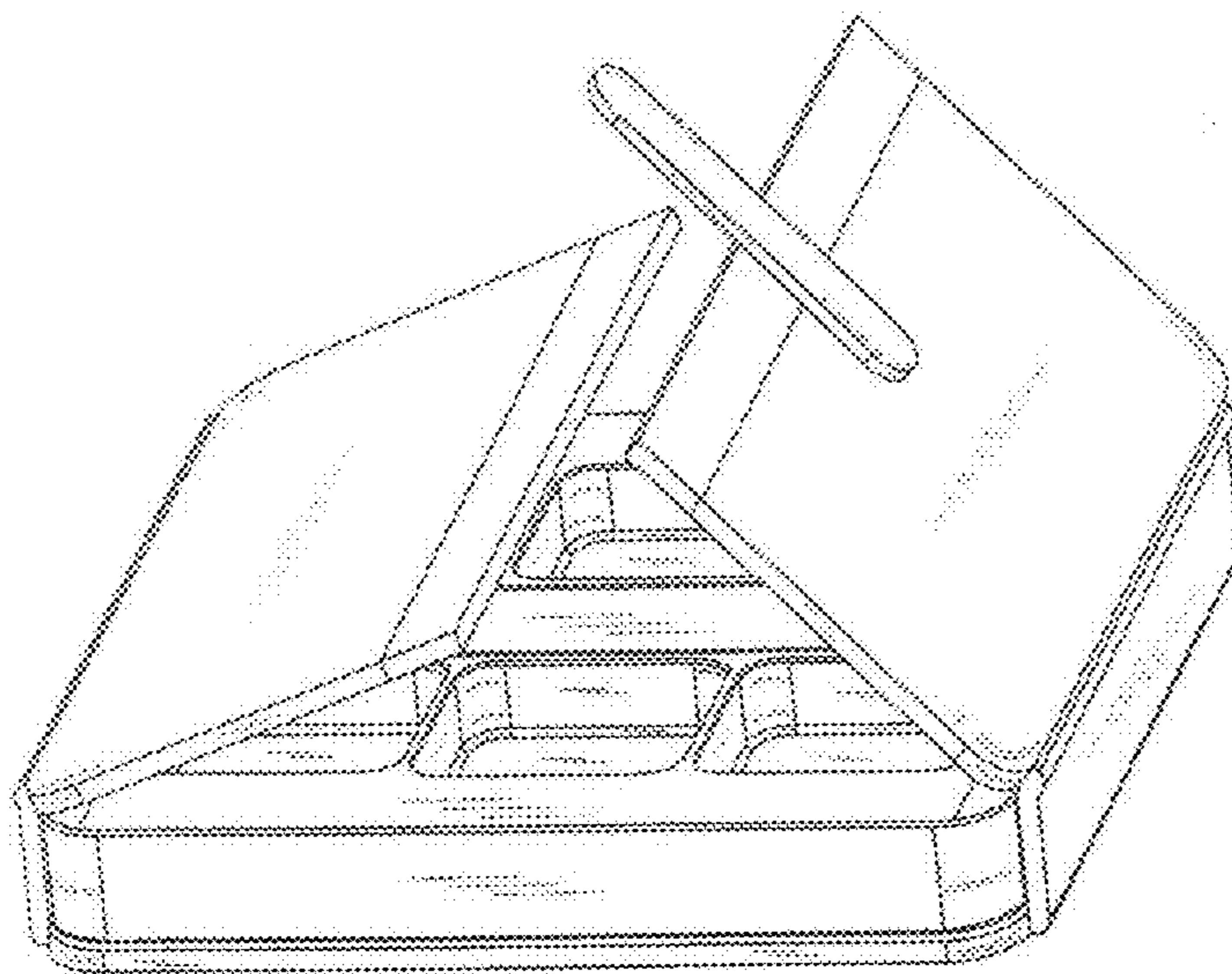


FIG. 1

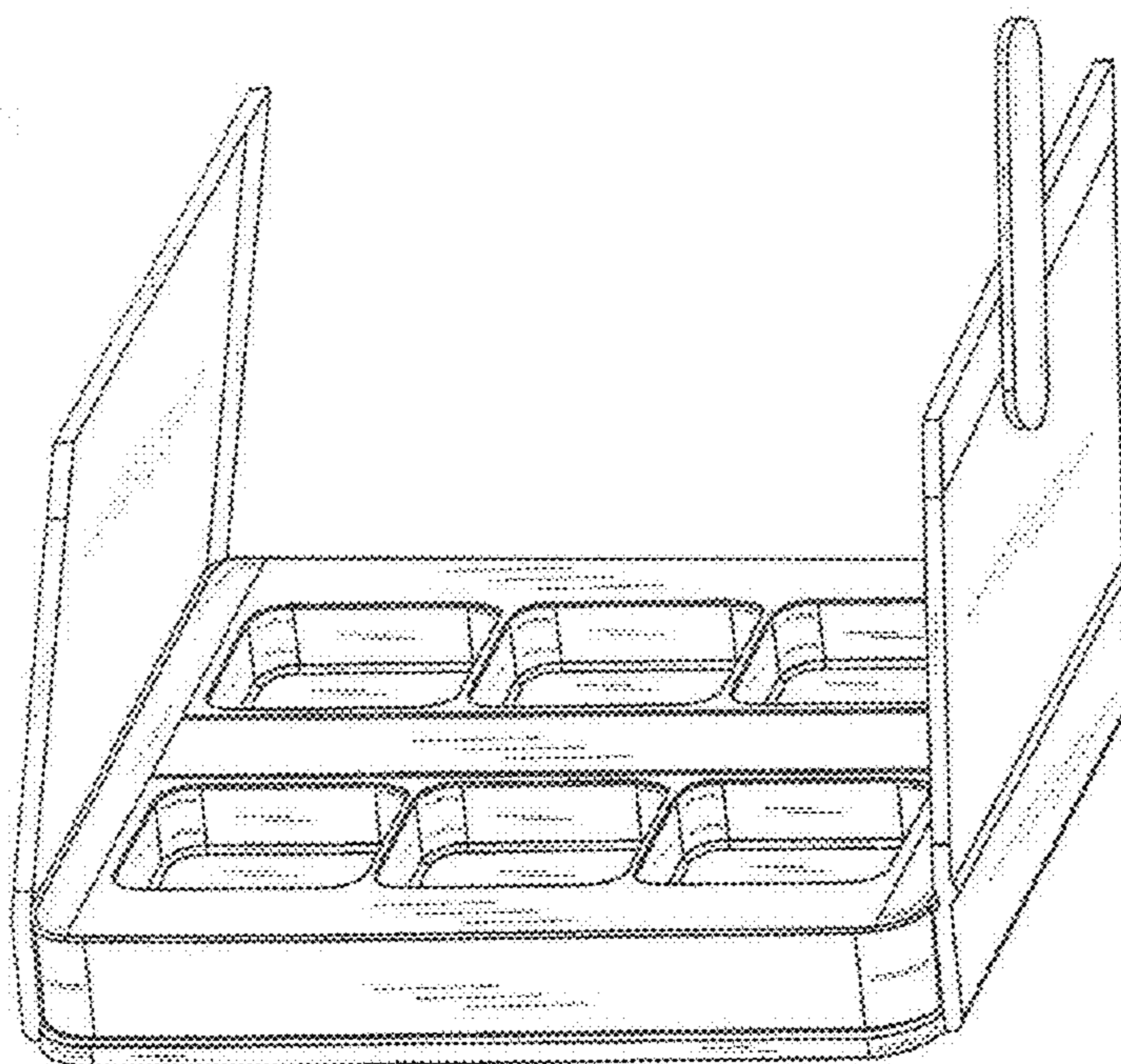


FIG. 2

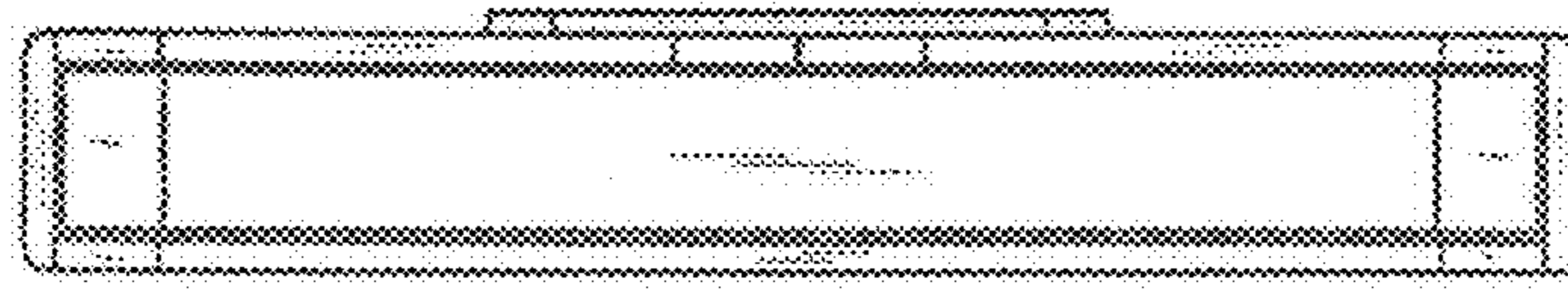


FIG. 3

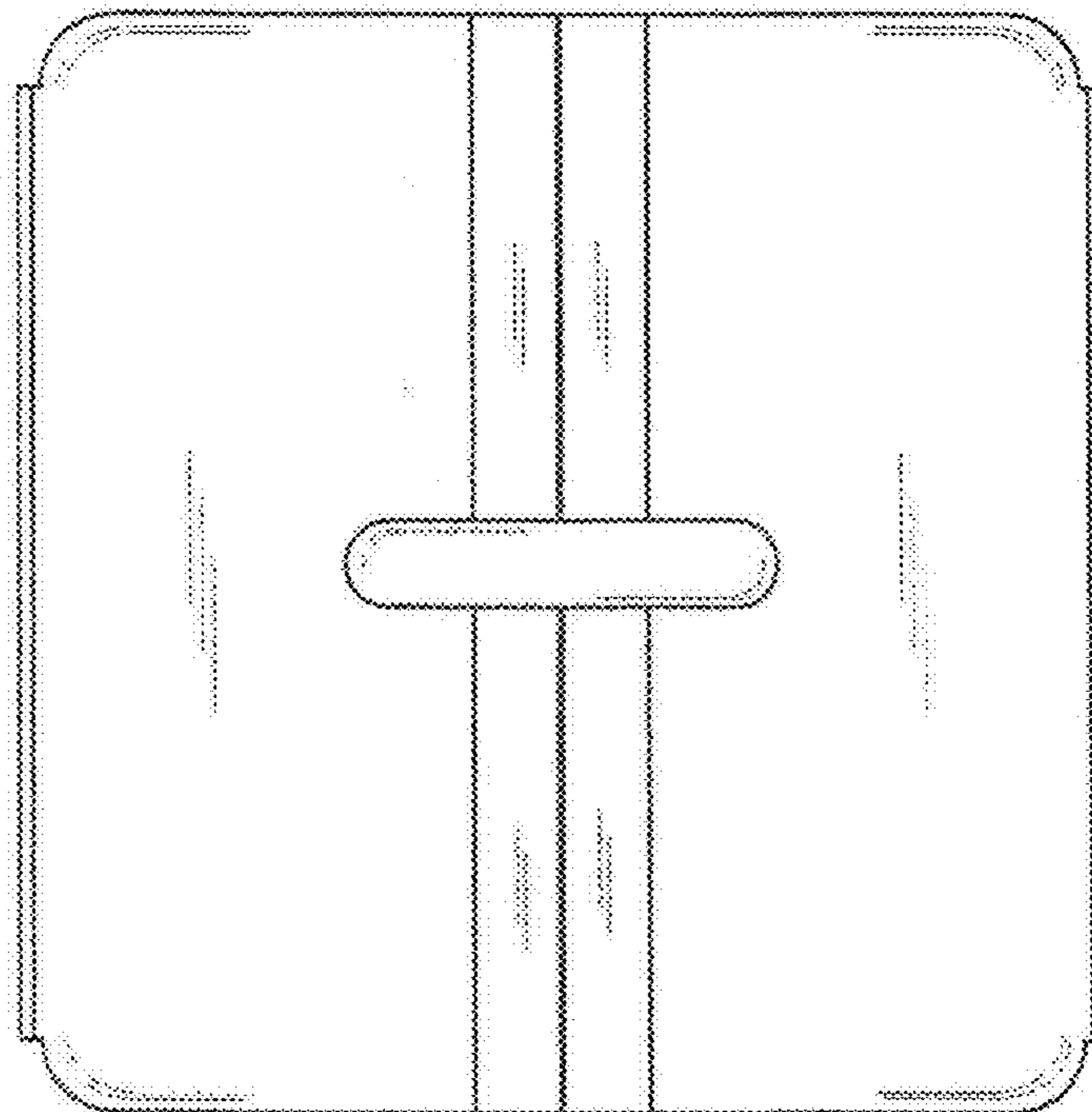


FIG. 4

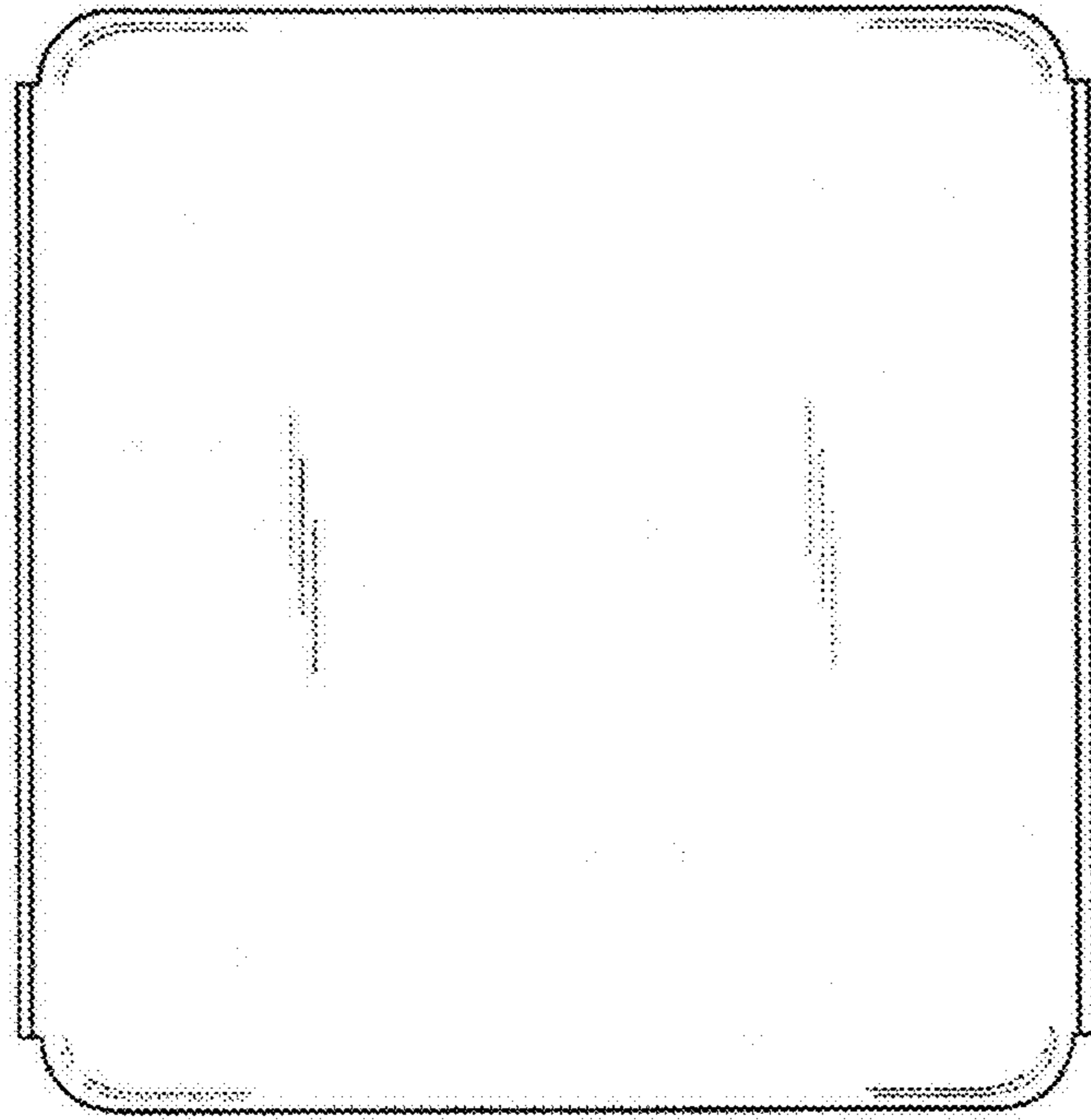


FIG. 5

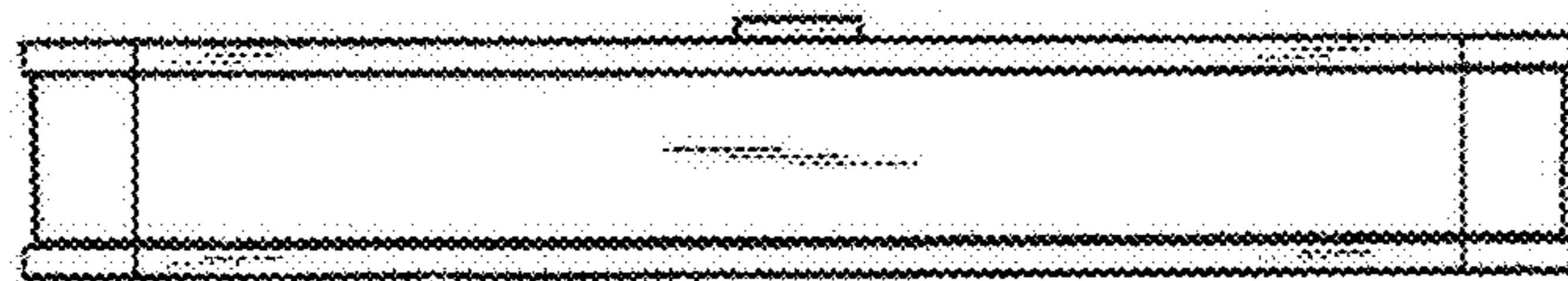


FIG. 6