



US00D815357S

(12) **United States Design Patent** (10) **Patent No.:** **US D815,357 S**  
**Wieland** (45) **Date of Patent:** **\*\* Apr. 10, 2018**

(54) **MASCARA PACKAGE**

FOREIGN PATENT DOCUMENTS

(71) Applicant: **ELC Management LLC**, Melville, NY  
(US)  
(72) Inventor: **Brett Matthew Wieland**, Brooklyn, NY  
(US)  
(73) Assignee: **ELC Management LLC**, Melville, NY  
(US)

CN	3447417	5/2005
CN	302727454	1/2014
CN	303322988	8/2015
EM	002150078-0003	2/2013
JP	D1497505	5/2014
KR	300499808.0000	7/2008
KR	300564203.0000	6/2010
KR	300624987.0000	12/2011
KR	300663260.0000	10/2012

(\*\*) Term: **15 Years**

OTHER PUBLICATIONS

(21) Appl. No.: **29/575,092**

Total Tease Mascara, www. utla.com, 2 pages, <https://www.ultra.com/total-tease-mascara?productId=xlsImpprod16211123>[Feb. 12, 2018 2:18:28 PM].\*

(22) Filed: **Aug. 22, 2016**

(51) **LOC (11) Cl.** ..... **28-03**

\* cited by examiner

(52) **U.S. Cl.**

USPC ..... **D28/76; D9/529**

(58) **Field of Classification Search**

USPC ..... D28/76, 85-90; D9/551, 529, 503-505

CPC ..... A45D 34/042-34/048

See application file for complete search history.

*Primary Examiner* — Jennifer Rivard

(74) *Attorney, Agent, or Firm* — Cynthia R. Miller

(57) **CLAIM**

The ornamental design for a mascara package, as shown.

(56) **References Cited**

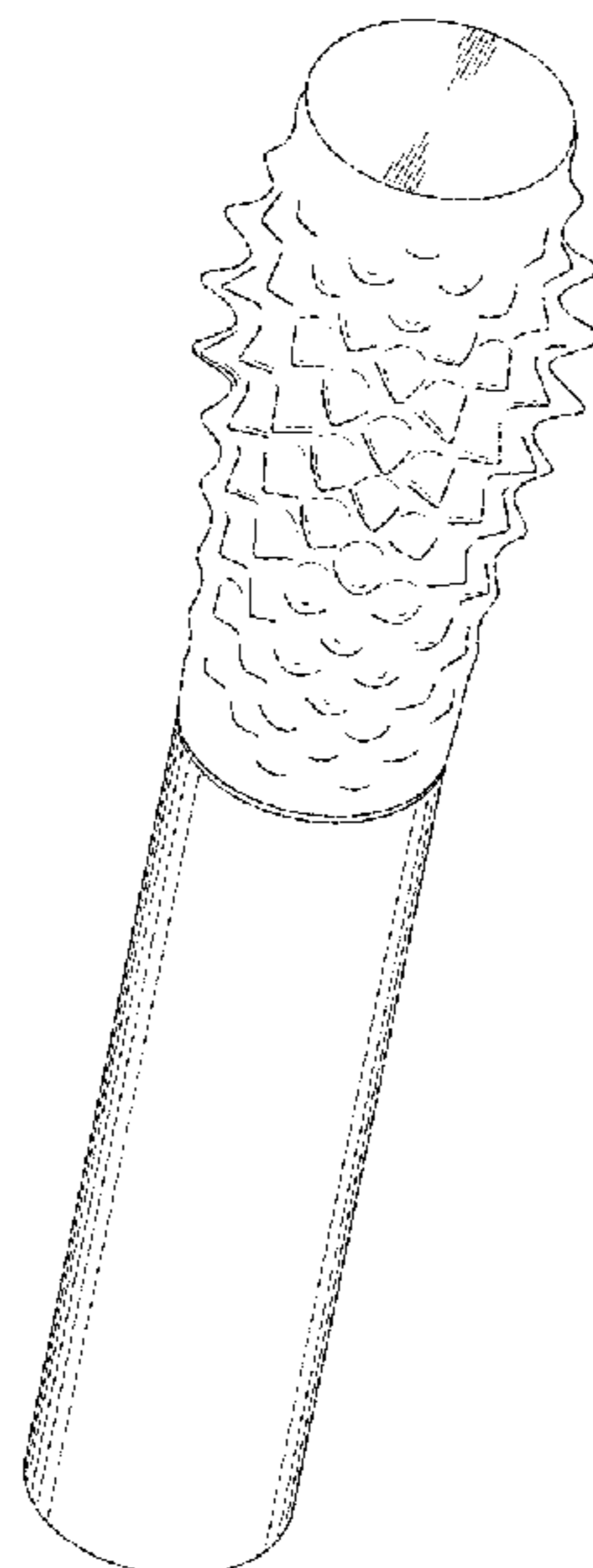
U.S. PATENT DOCUMENTS

D171,675 S	3/1954	Wisotsky	
D179,785 S *	2/1957	Slater .....	D28/90
D180,024 S *	4/1957	Kent .....	D28/90
D304,095 S	10/1989	Gavin	
D335,086 S	4/1993	Wacker	
D360,486 S	7/1995	Schultz	
D362,925 S	10/1995	Granai	
D496,758 S	9/2004	Stohr	
D533,309 S	12/2006	Nobuto et al.	
D539,482 S *	3/2007	Koch .....	D28/90
D539,985 S	4/2007	Koch	
D580,597 S	11/2008	Mascotte et al.	
D739,606 S *	9/2015	DeMarco Staab .....	D28/76
D740,491 S *	10/2015	Albertini .....	D28/76

**DESCRIPTION**

FIG. 1 is a top, front and side perspective view of my new design for a mascara package;  
FIG. 2 is a front view of the mascara package shown in FIG. 1, the rear view being a mirror image thereof;  
FIG. 3 is a side view of the mascara package shown in FIG. 1, the opposite side view being a mirror image thereof;  
FIG. 4 is a top plan view of the mascara package shown in FIG. 1; and,  
FIG. 5 is a bottom plan view of the mascara package shown in FIG. 1.

**1 Claim, 3 Drawing Sheets**



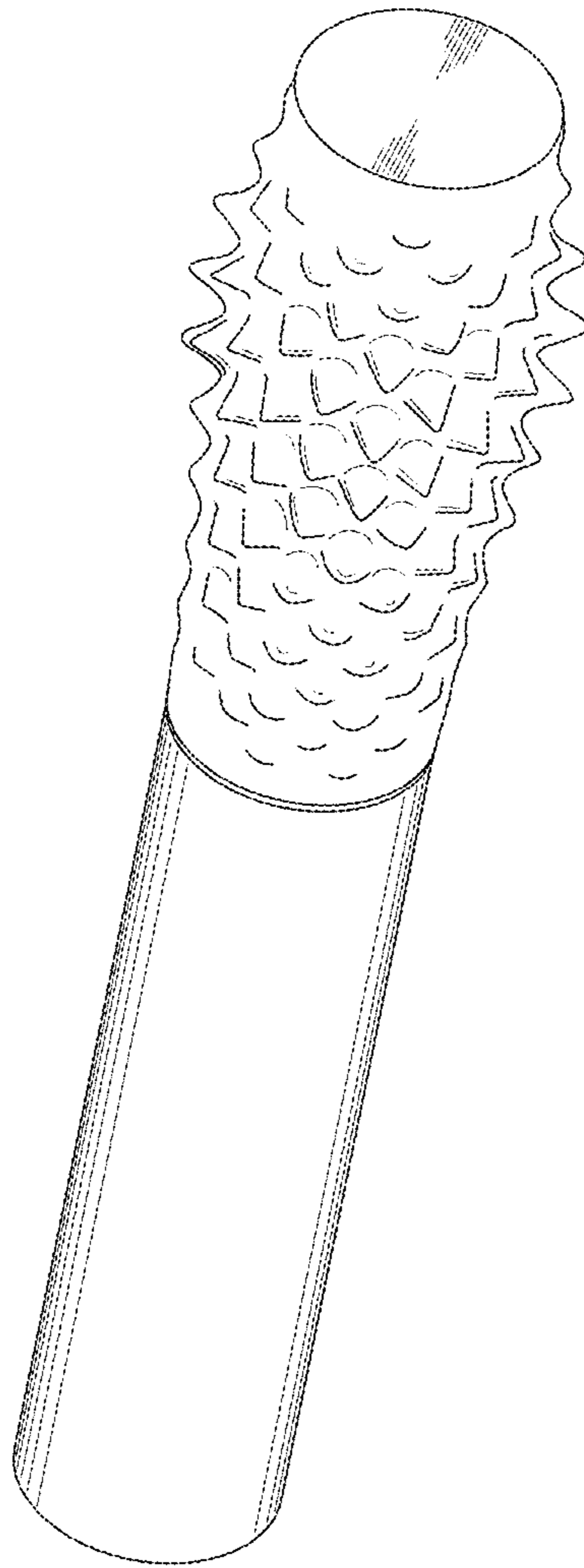


FIG. 1

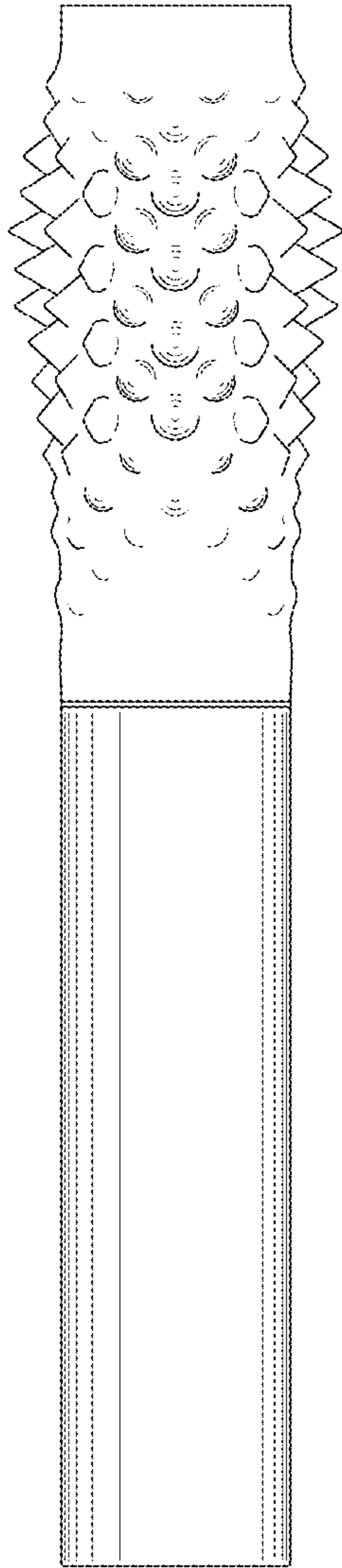


FIG. 2

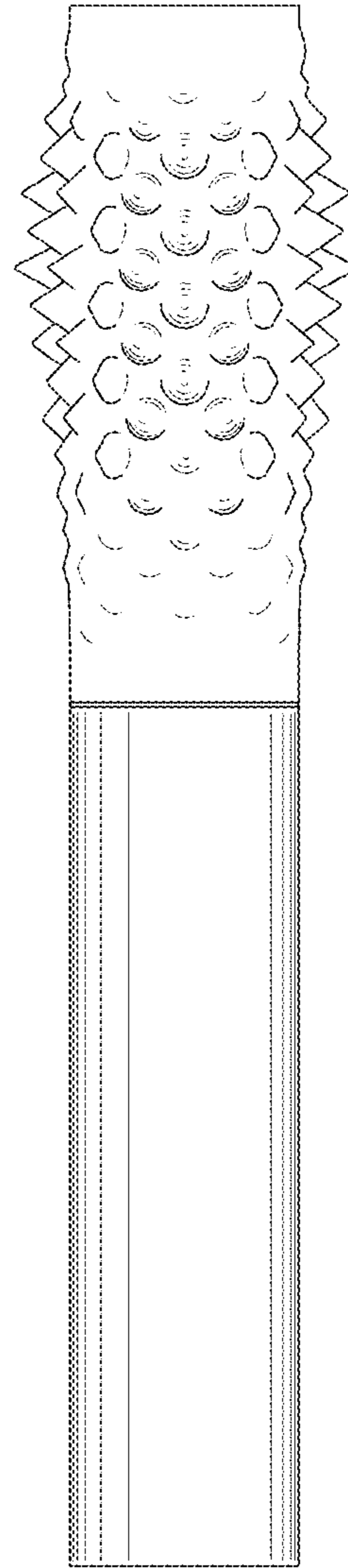


FIG. 3

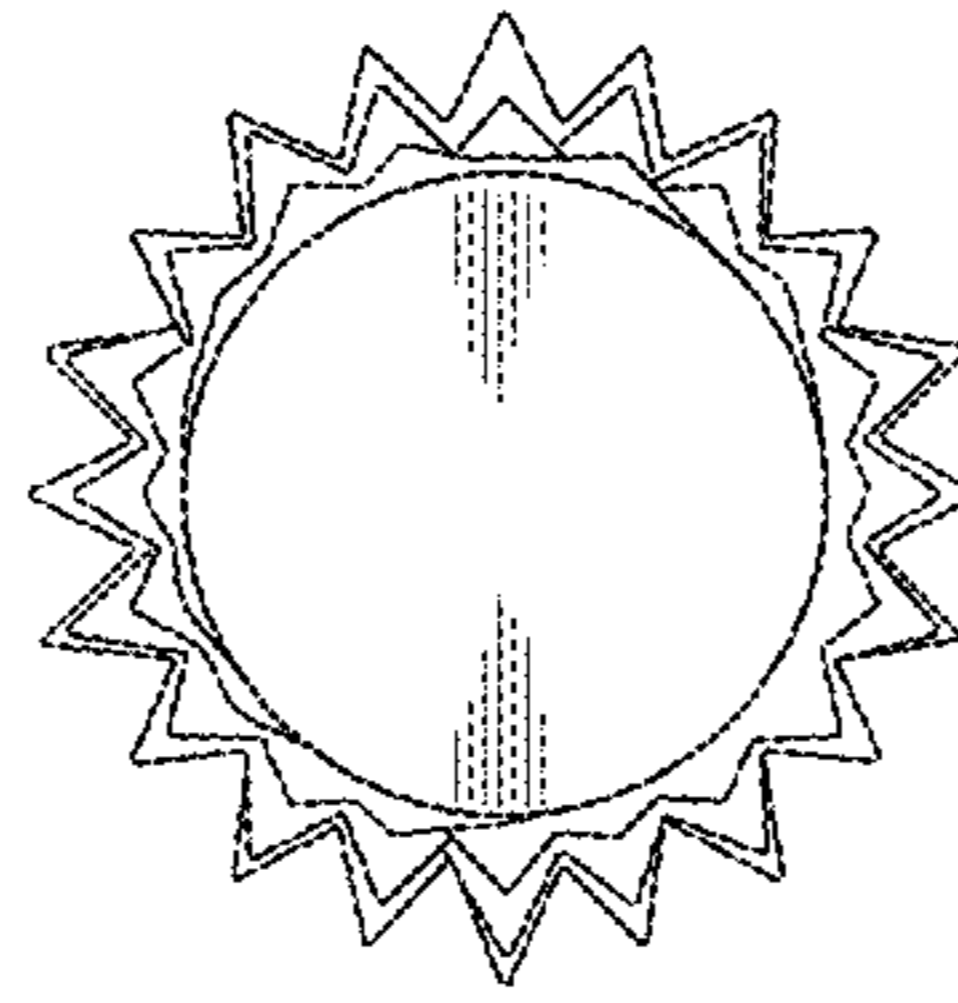


FIG. 4

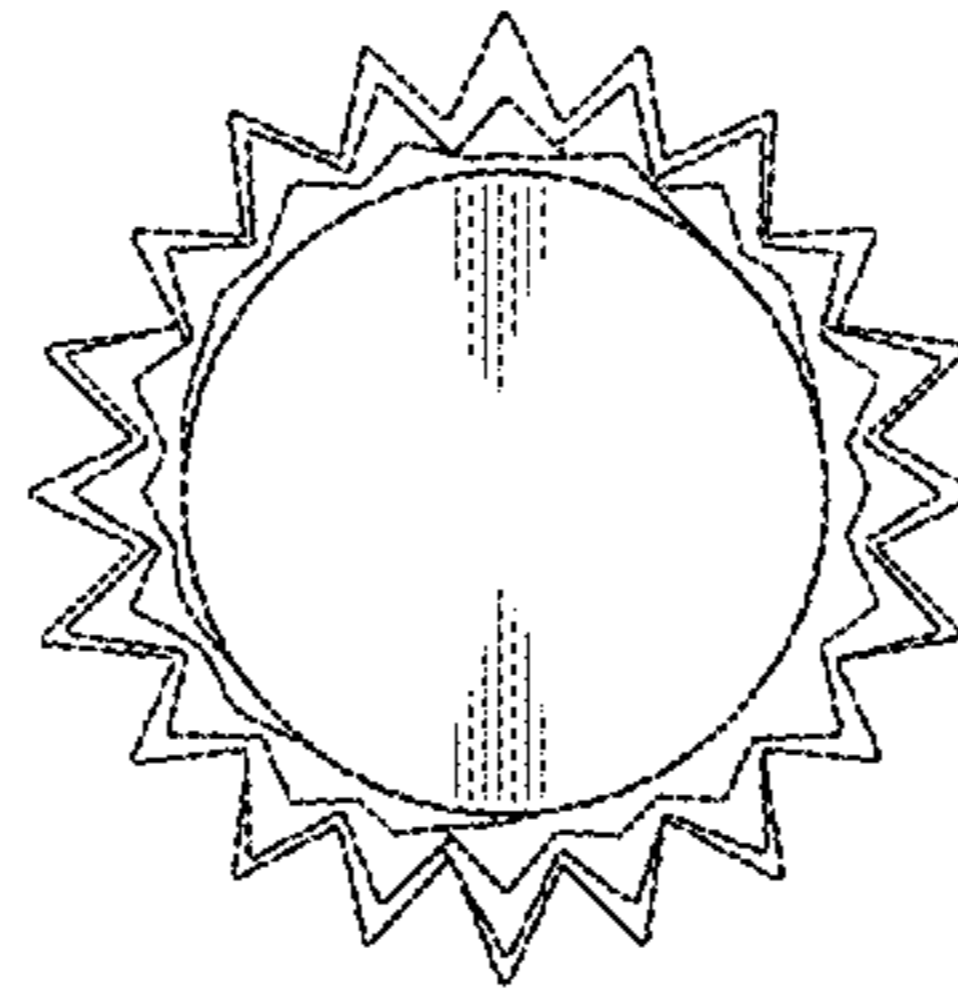


FIG. 5