



US00D815356S

(12) **United States Design Patent**
Hajiri

(10) **Patent No.:** **US D815,356 S**

(45) **Date of Patent:** **** Apr. 10, 2018**

- (54) **NAIL POLISH BOTTLE STORAGE BALL**
- (71) Applicant: **Kamal Hajiri**, The Hague (NL)
- (72) Inventor: **Kamal Hajiri**, The Hague (NL)
- (**) Term: **15 Years**
- (21) Appl. No.: **29/555,806**
- (22) Filed: **Feb. 25, 2016**
- (51) **LOC (11) Cl.** **28-03**
- (52) **U.S. Cl.**
USPC **D28/61; D28/73; D9/668**
- (58) **Field of Classification Search**
USPC D28/61, 73; D6/658, 674; D21/713;
D9/668
CPC A45D 2040/0006; A45D 2040/0012; A45D
40/00; A45D 44/02; A45D 44/04
See application file for complete search history.

- 2003/0201201 A1* 10/2003 Cheng B65D 81/36
206/457
- 2006/0096995 A1* 5/2006 Liang B65D 25/24
220/630
- 2009/0170397 A1* 7/2009 Humphreys A63H 33/108
446/121
- 2014/0030395 A1* 1/2014 Kovacs A47J 27/04
426/233
- 2015/0259114 A1* 9/2015 Tussy B65D 81/365
206/457

* cited by examiner

Primary Examiner — Jennifer Rivard

(57) **CLAIM**

I claim the ornamental design for a nail polish bottle storage ball, as shown and described.

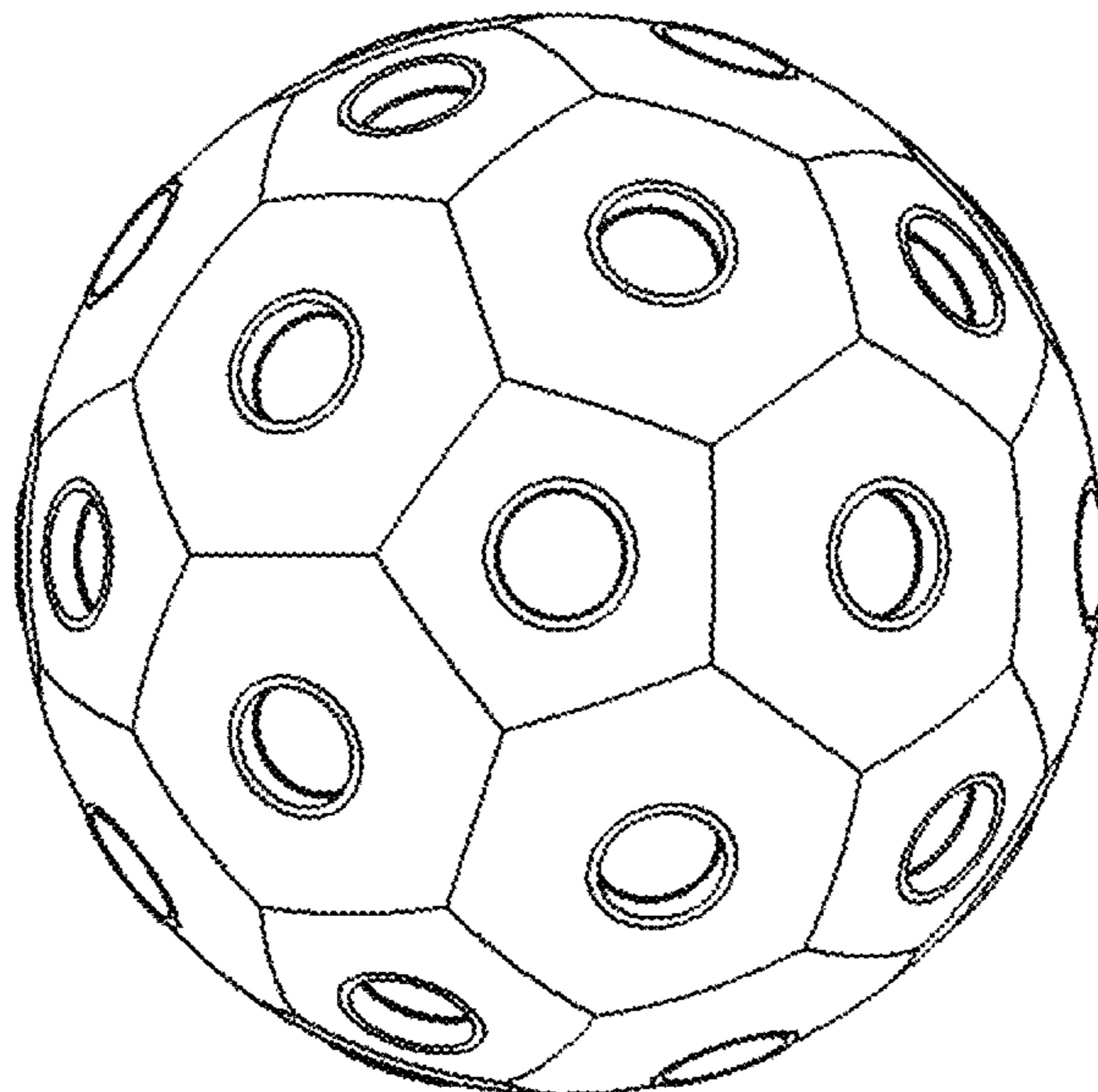
DESCRIPTION

FIG. 1 is an exploded perspective view of the nail polish bottle storage ball, showing my new design.
 FIG. 2 is a front perspective view of the storage ball;
 FIG. 3 is a rear perspective view of the storage ball;
 FIG. 4 is a top plan view of the storage ball;
 FIG. 5 is a bottom plan view of the storage ball;
 FIG. 6 is a front elevation view of the storage ball;
 FIG. 7 is a back elevation view of the storage ball;
 FIG. 8 is a right side elevation view of the storage ball;
 FIG. 9 is a left side elevation view of the storage ball;
 FIG. 10 is a cross-sectional view of FIG. 4, taken along lines 10-10, with the tubes closed at the bottom and the top;
 FIG. 11 is a sectional view of Part A of FIG. 10;
 FIG. 12 is a sectional view of Part B of FIG. 10;
 FIG. 13 is a cross-sectional view of FIG. 11, taken along lines 13-13; and,
 FIG. 14 is a cross-sectional view of FIG. 12, taken along lines 14-14.

(56) **References Cited**
U.S. PATENT DOCUMENTS

- D271,173 S * 11/1983 Keshishian D7/604
- D304,262 S * 10/1989 Mays D3/271.9
- D354,641 S * 1/1995 Stoddard D30/102
- D419,387 S * 1/2000 Hansen D7/606
- D420,255 S * 2/2000 D'Arrigo D7/510
- D433,066 S * 10/2000 Porter D19/77
- 6,457,604 B1 * 10/2002 McNabb A45D 34/00
215/395
- D584,854 S * 1/2009 Blum D28/10
- D606,807 S * 12/2009 Humphreys D7/505
- 7,731,053 B2 * 6/2010 Ivey B43M 99/009
220/603
- D628,746 S * 12/2010 Peta D28/61
- D653,256 S * 1/2012 Allo Allo D14/440
- D708,791 S * 7/2014 Schlatter D28/89
- 9,597,565 B2 * 3/2017 Forutanpour A63B 59/00

1 Claim, 14 Drawing Sheets



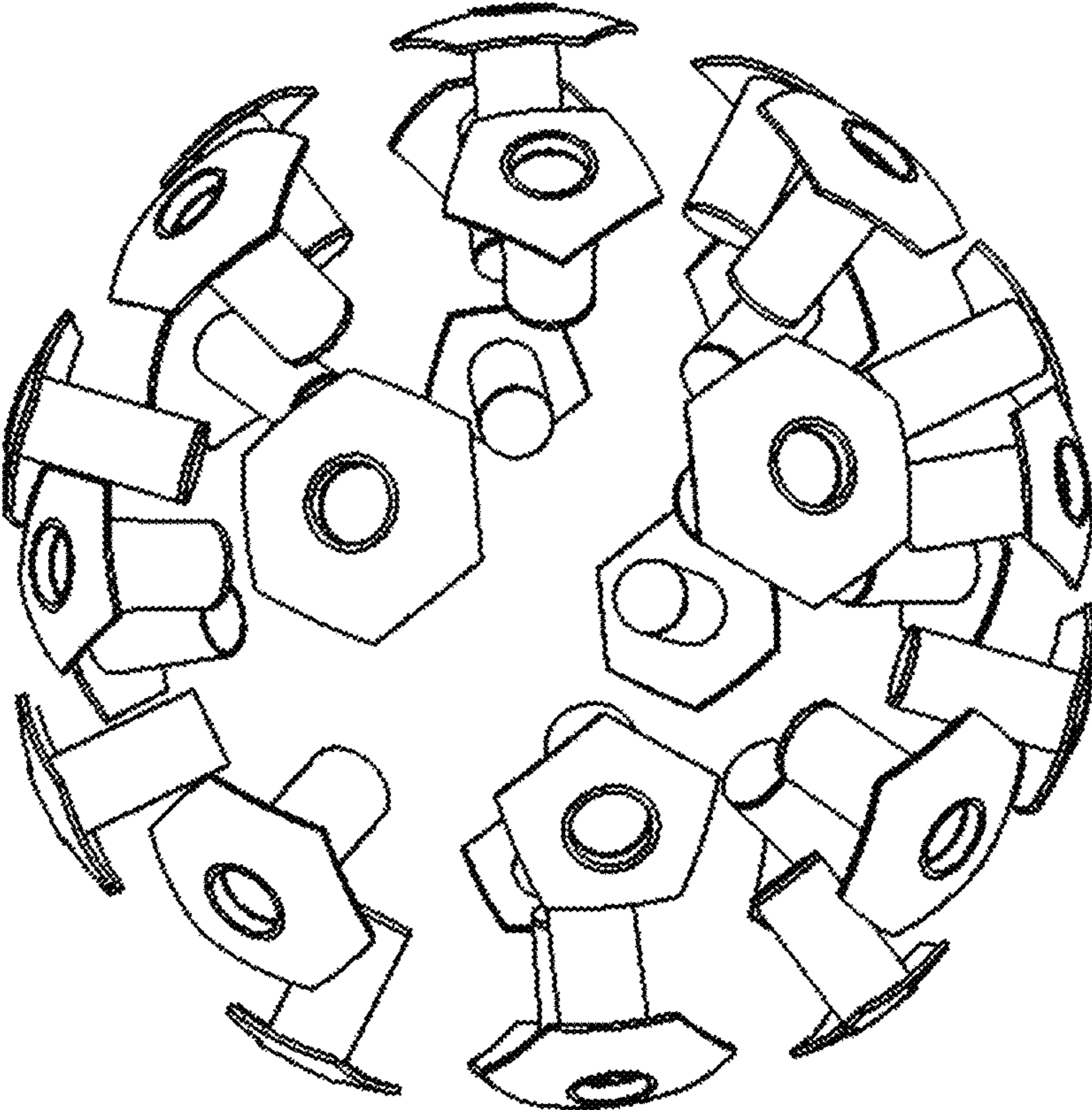


FIG. 1

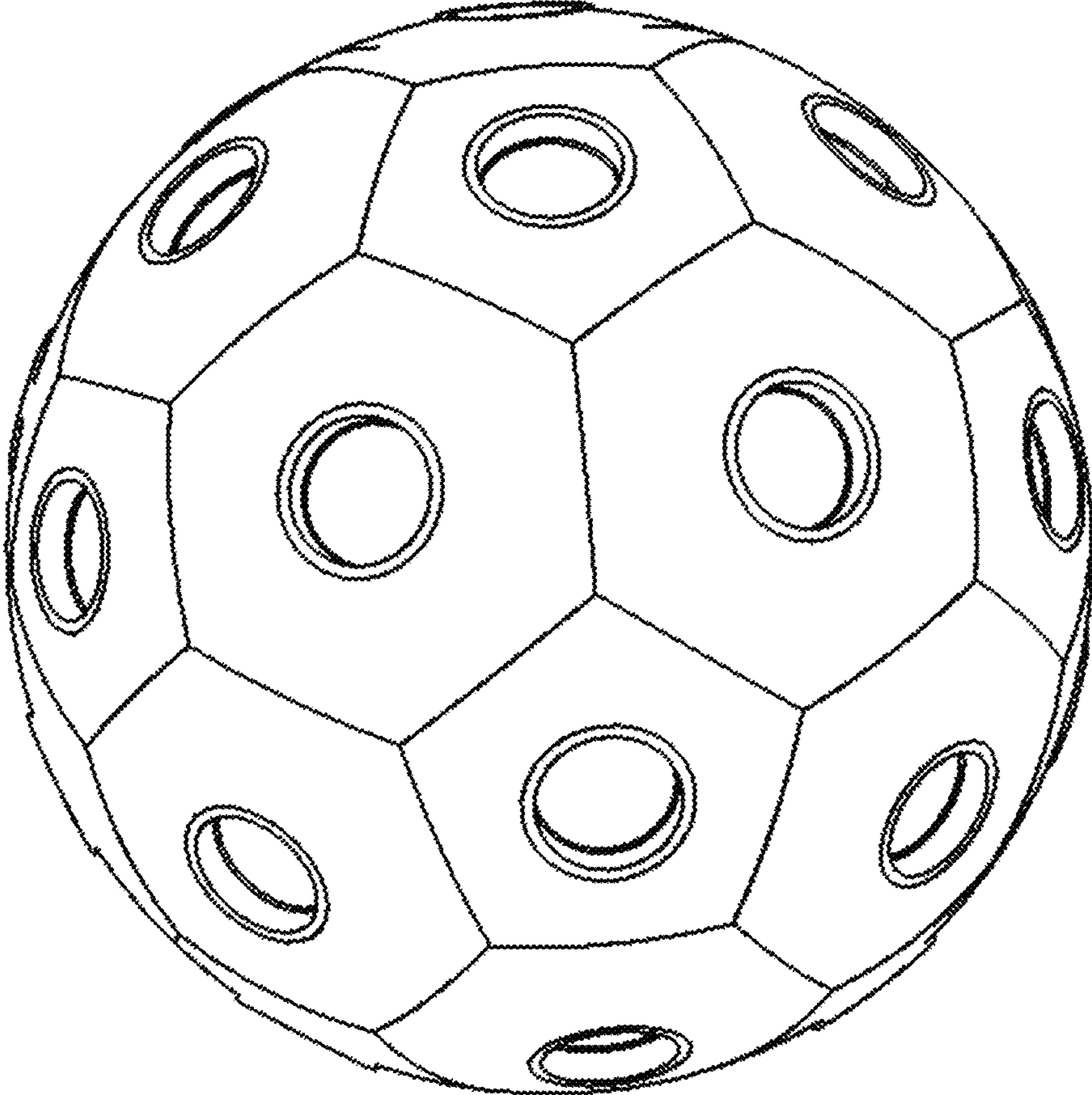


FIG. 2

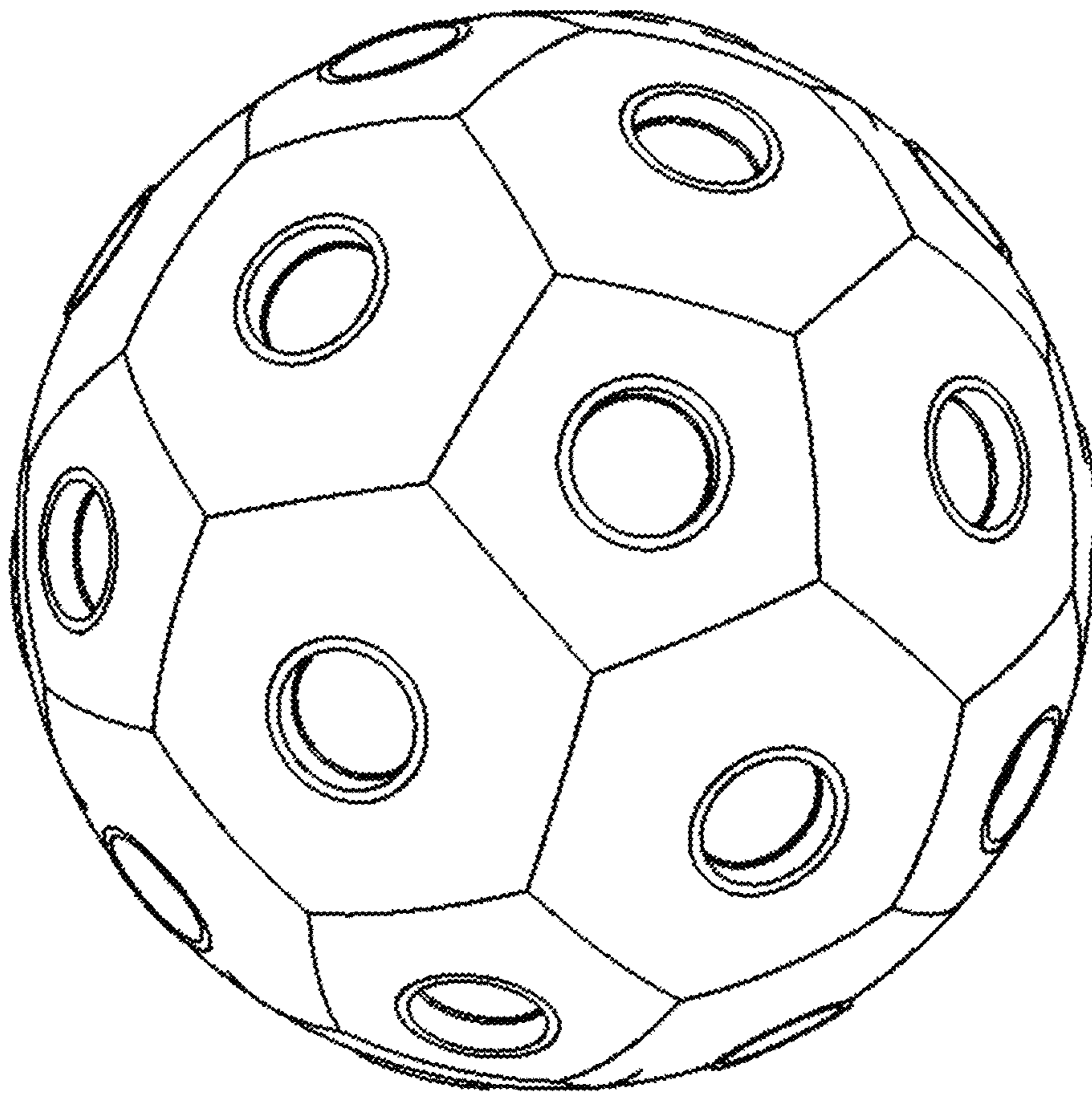


FIG. 3

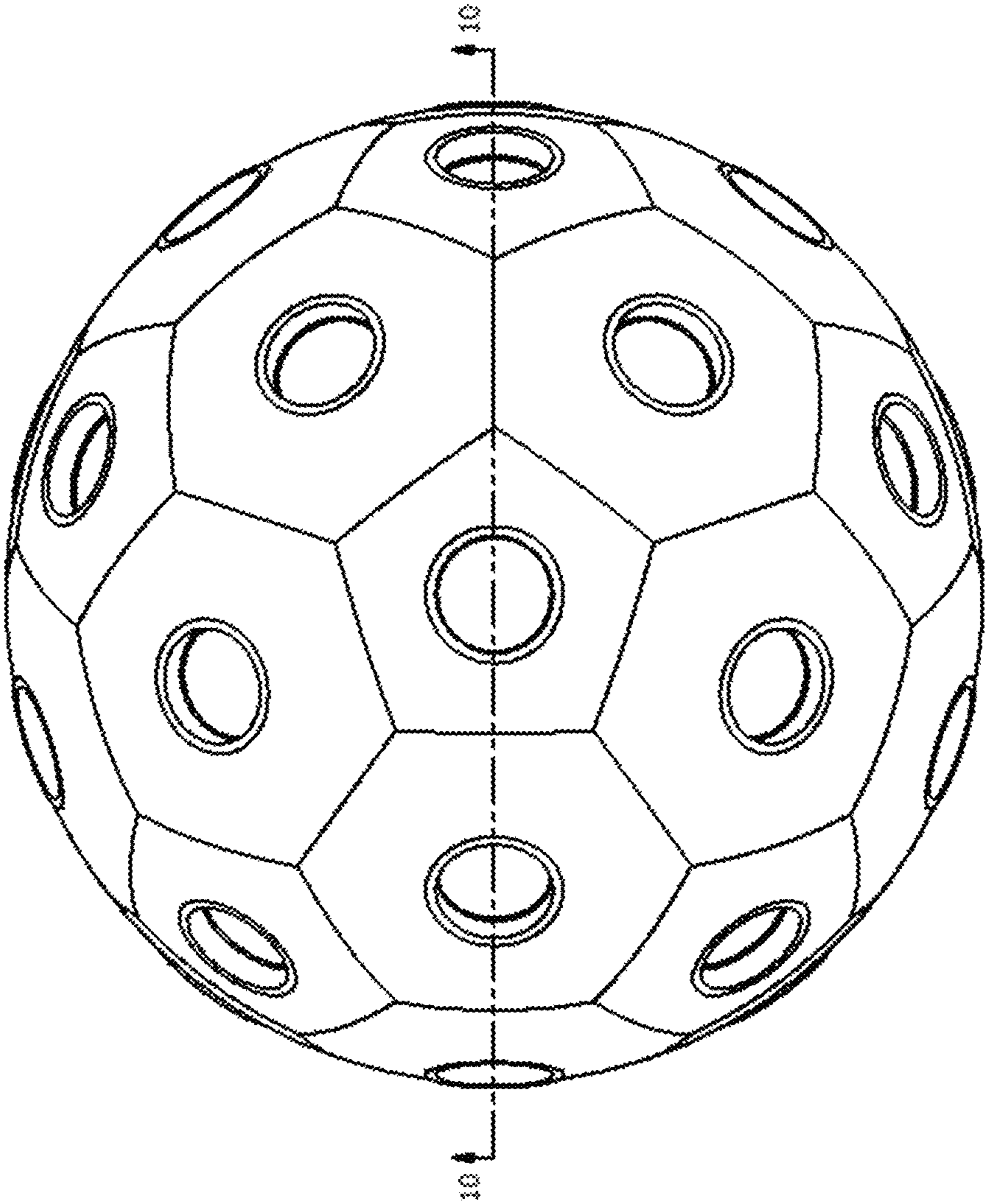


FIG. 4

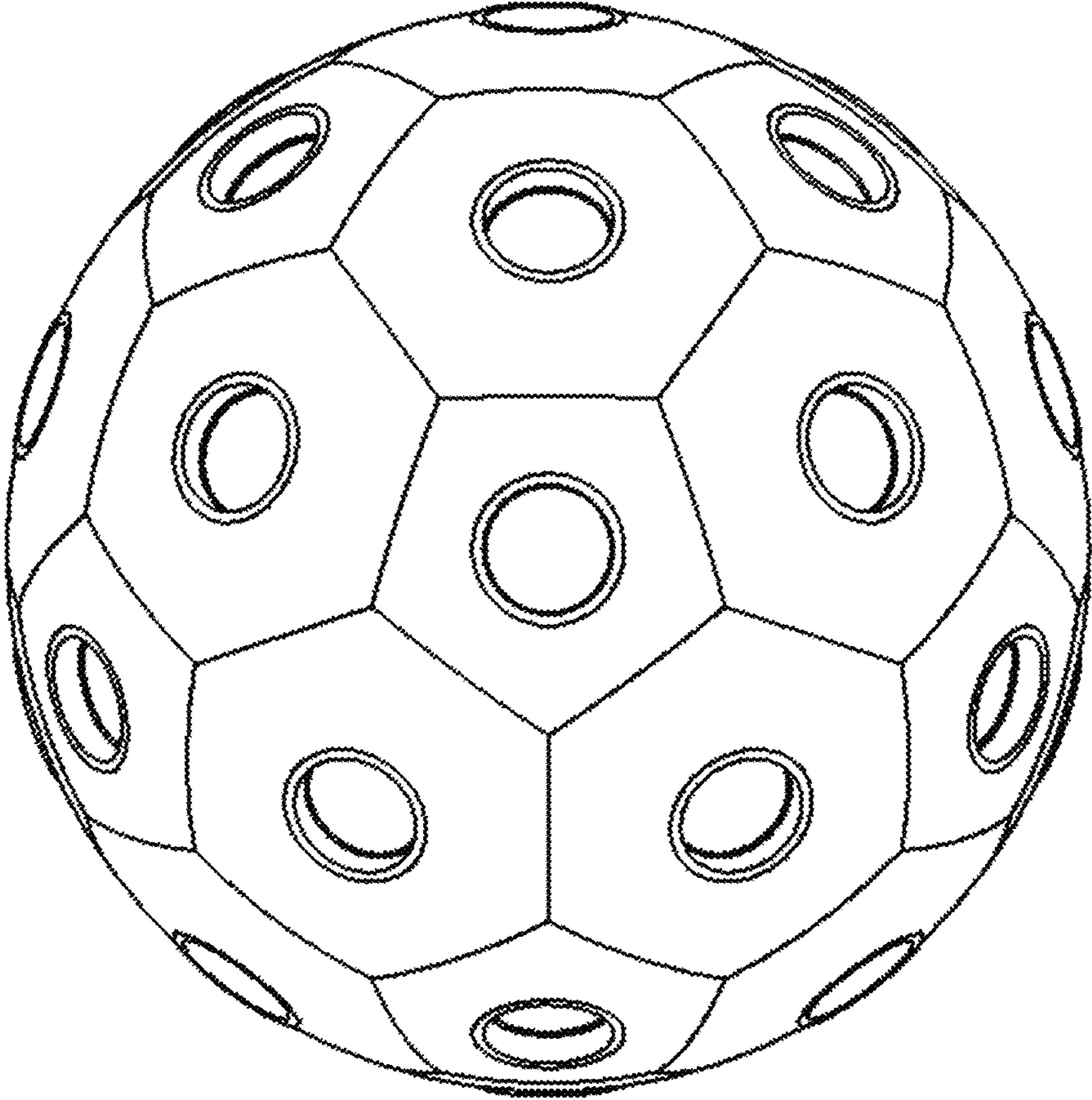


FIG. 5

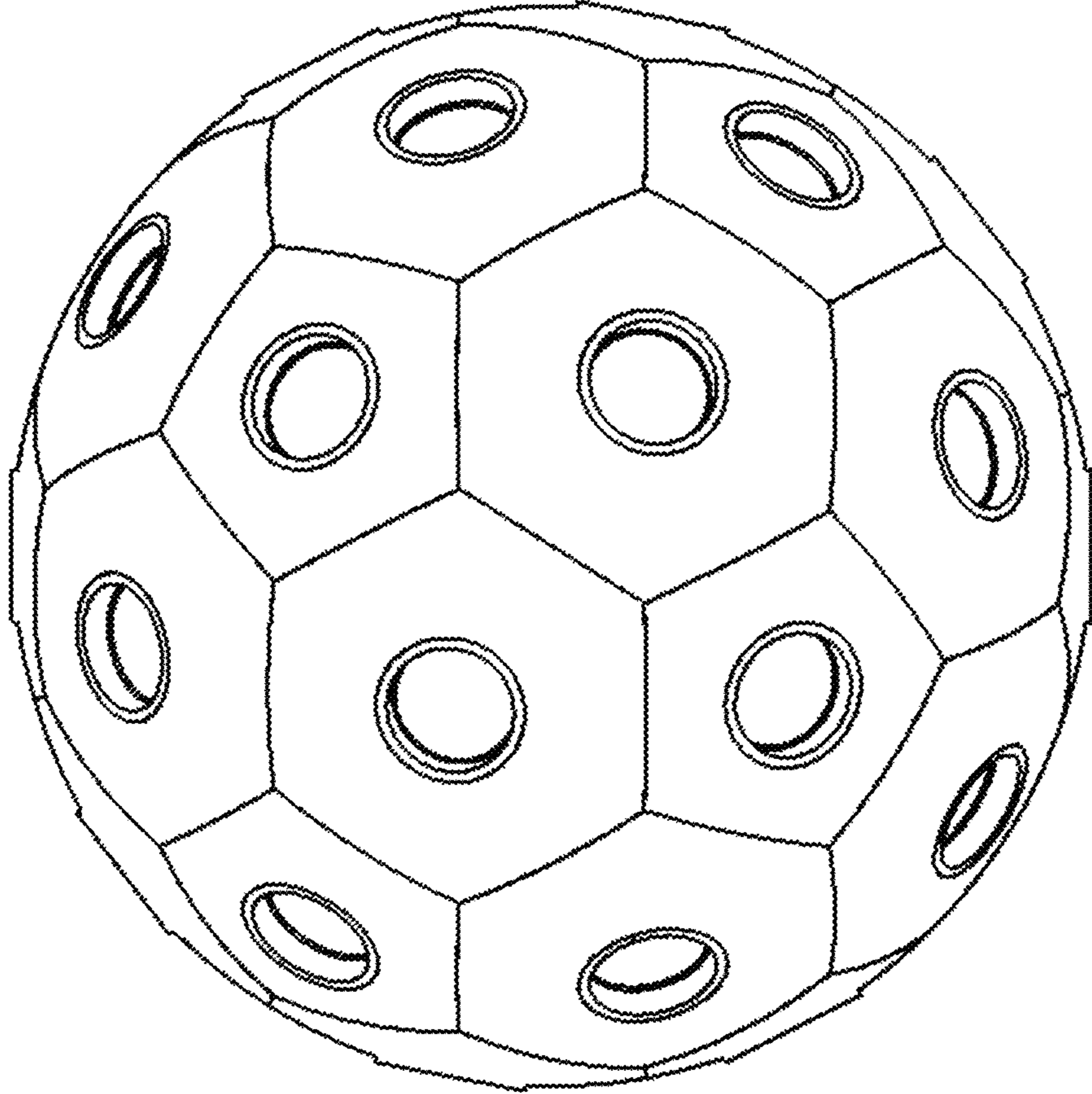


FIG. 6

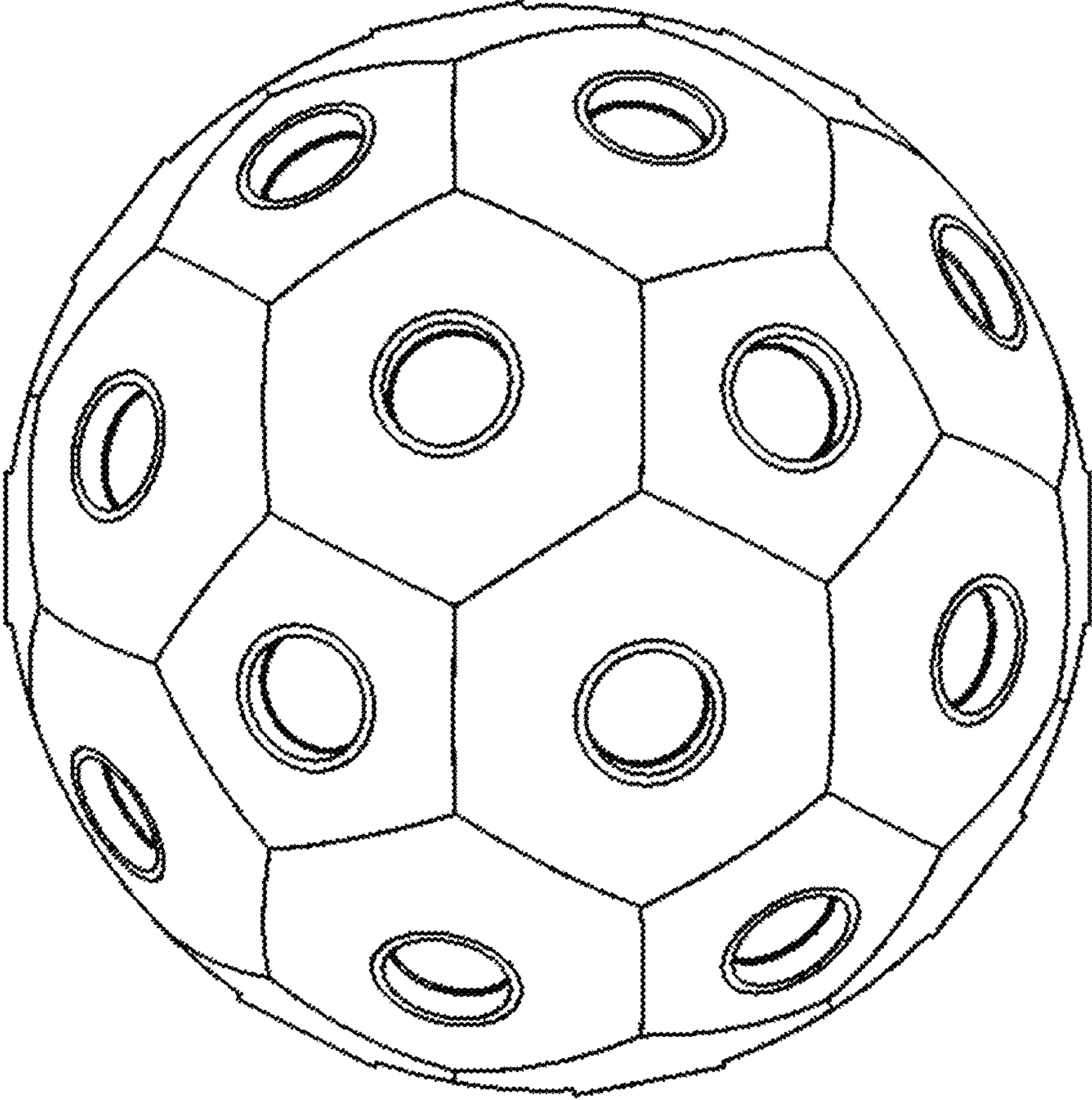


FIG. 7

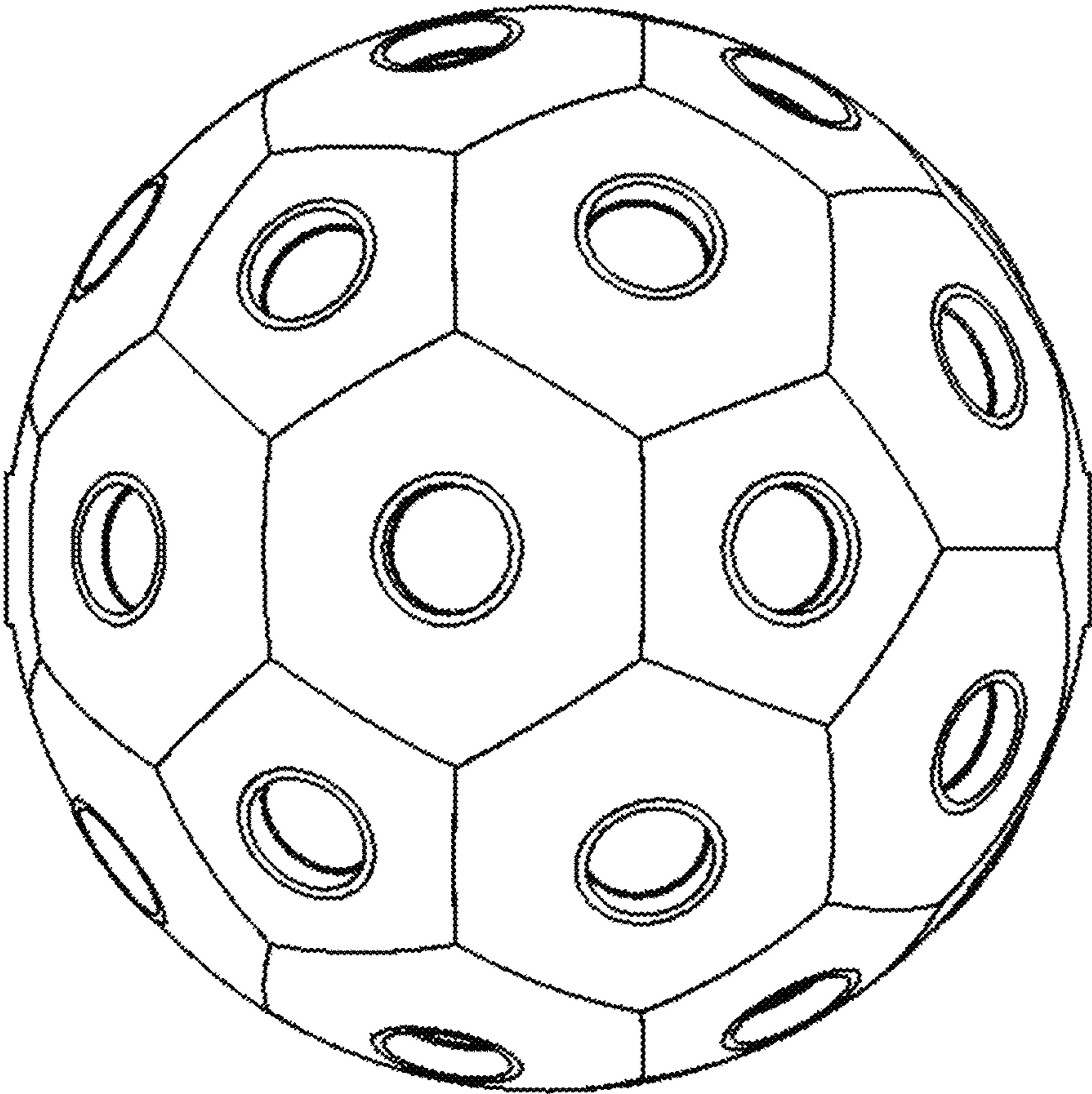


FIG. 8

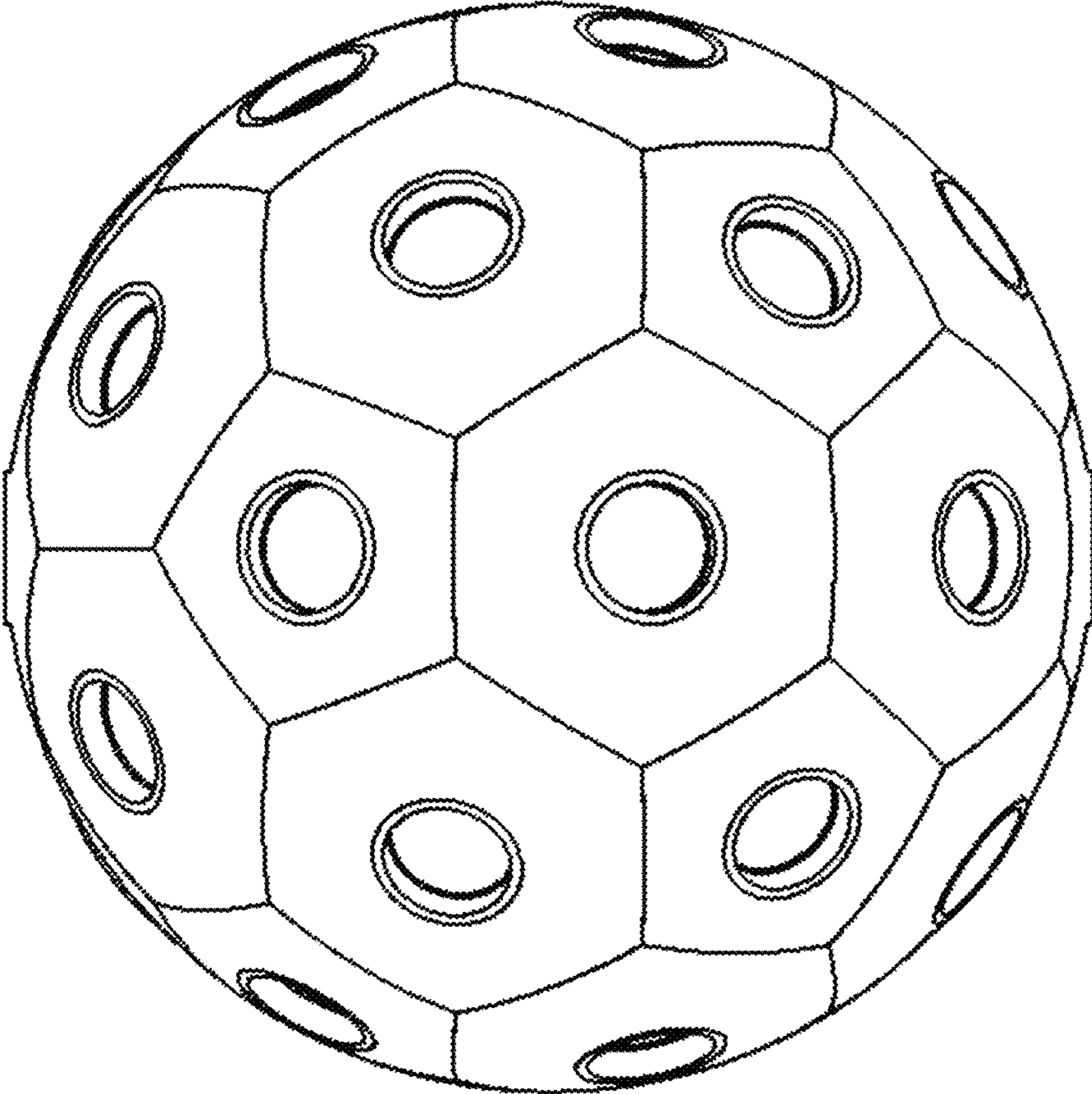


FIG. 9

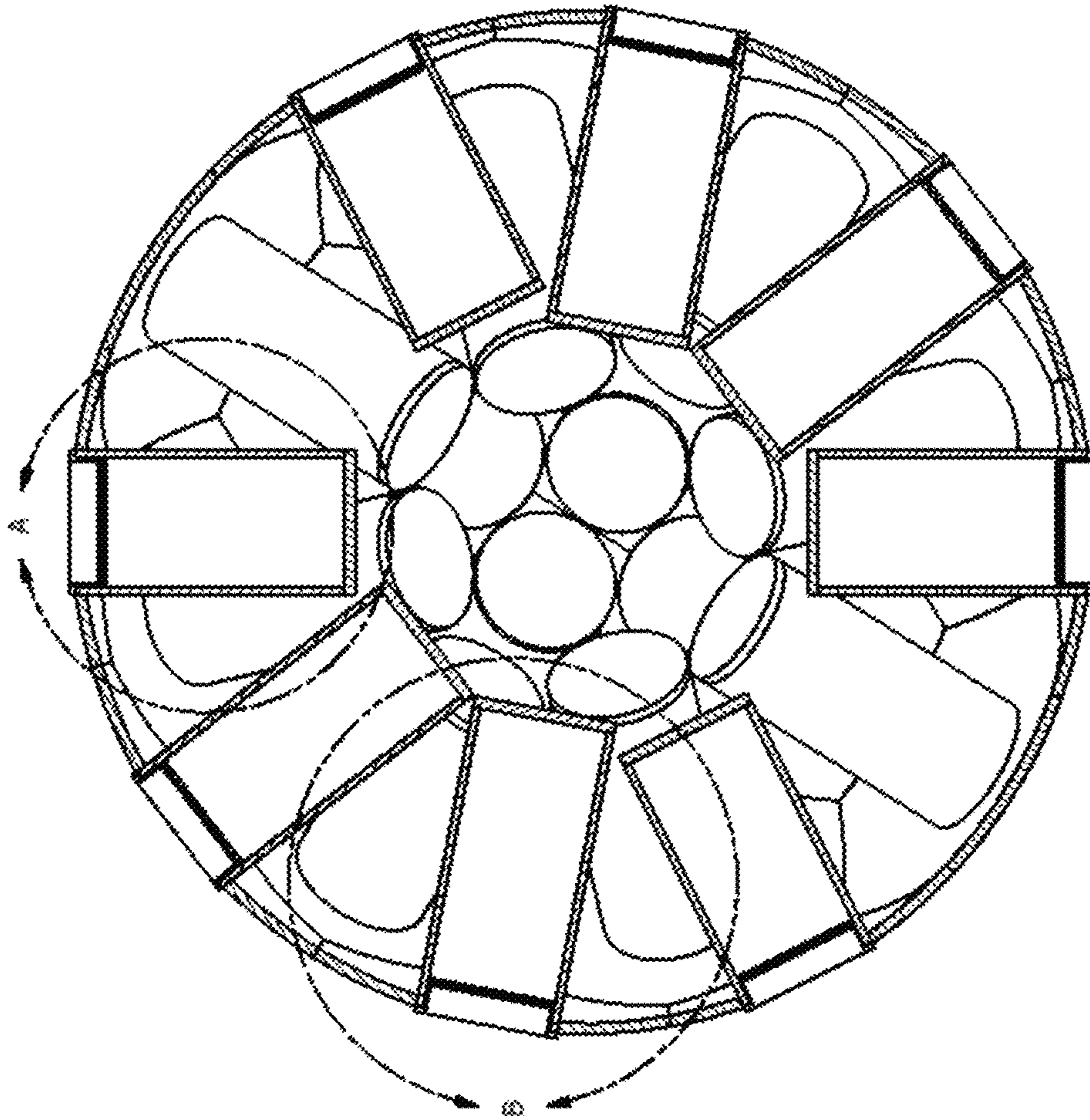


FIG. 10

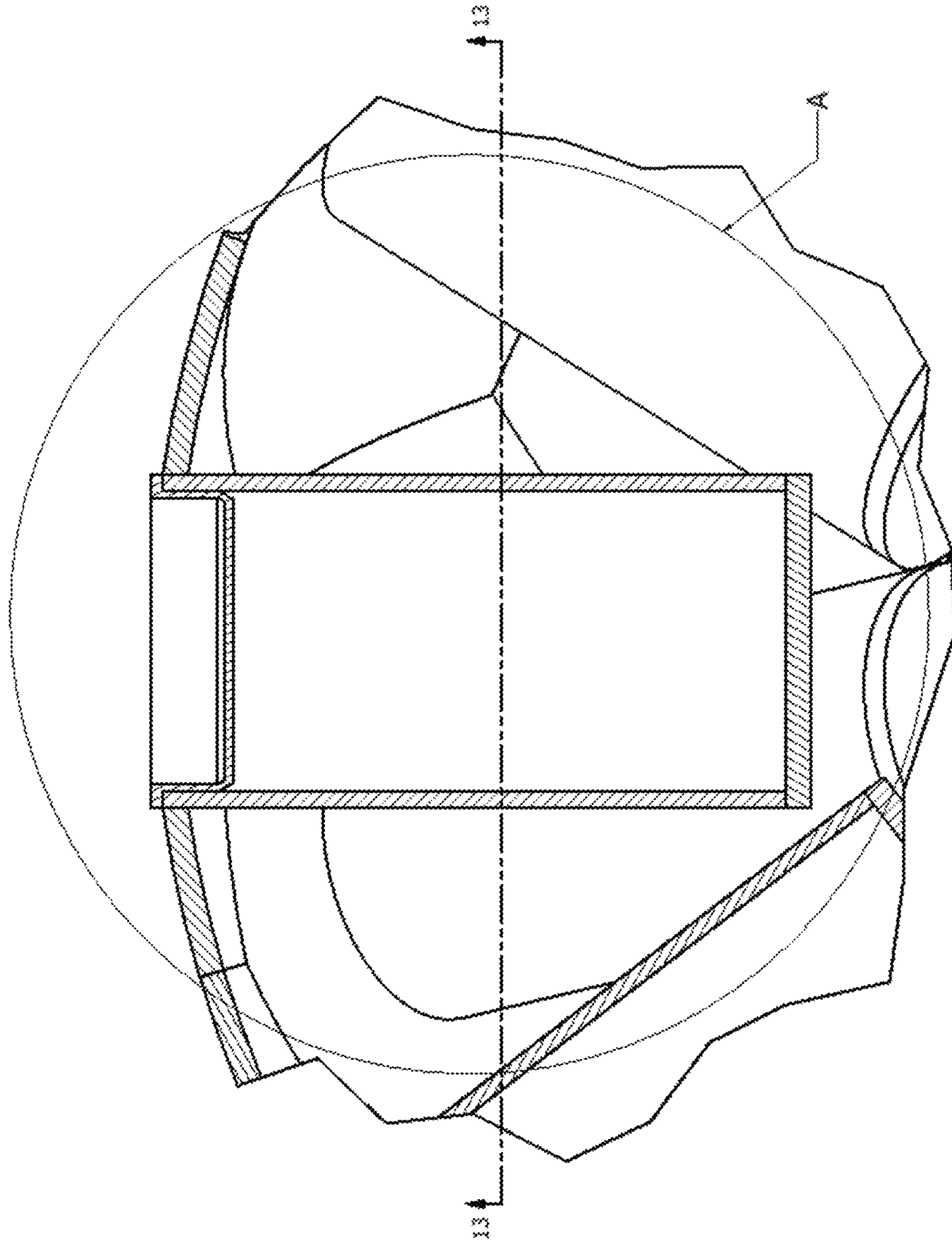


FIG. 11

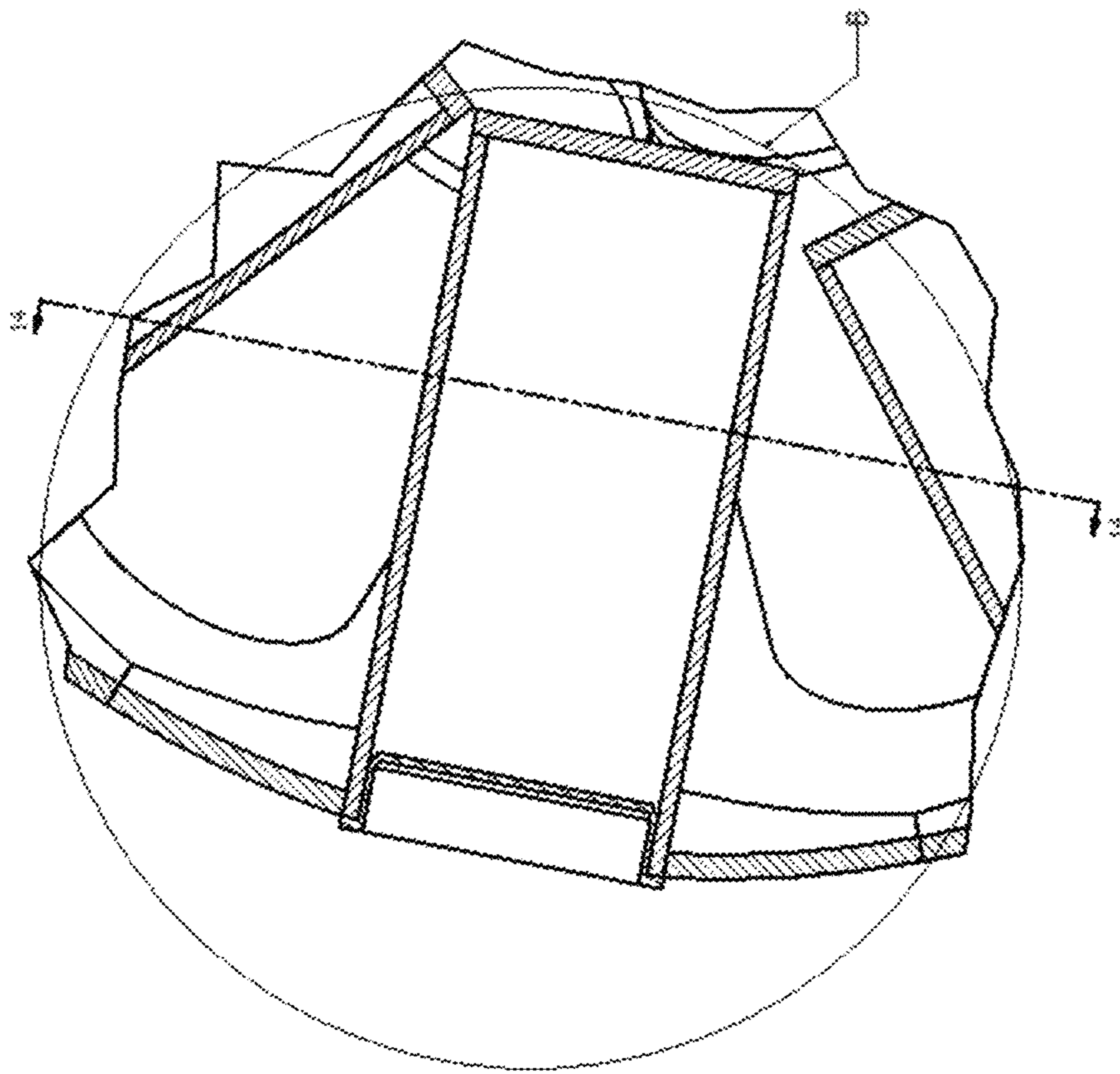


FIG. 12

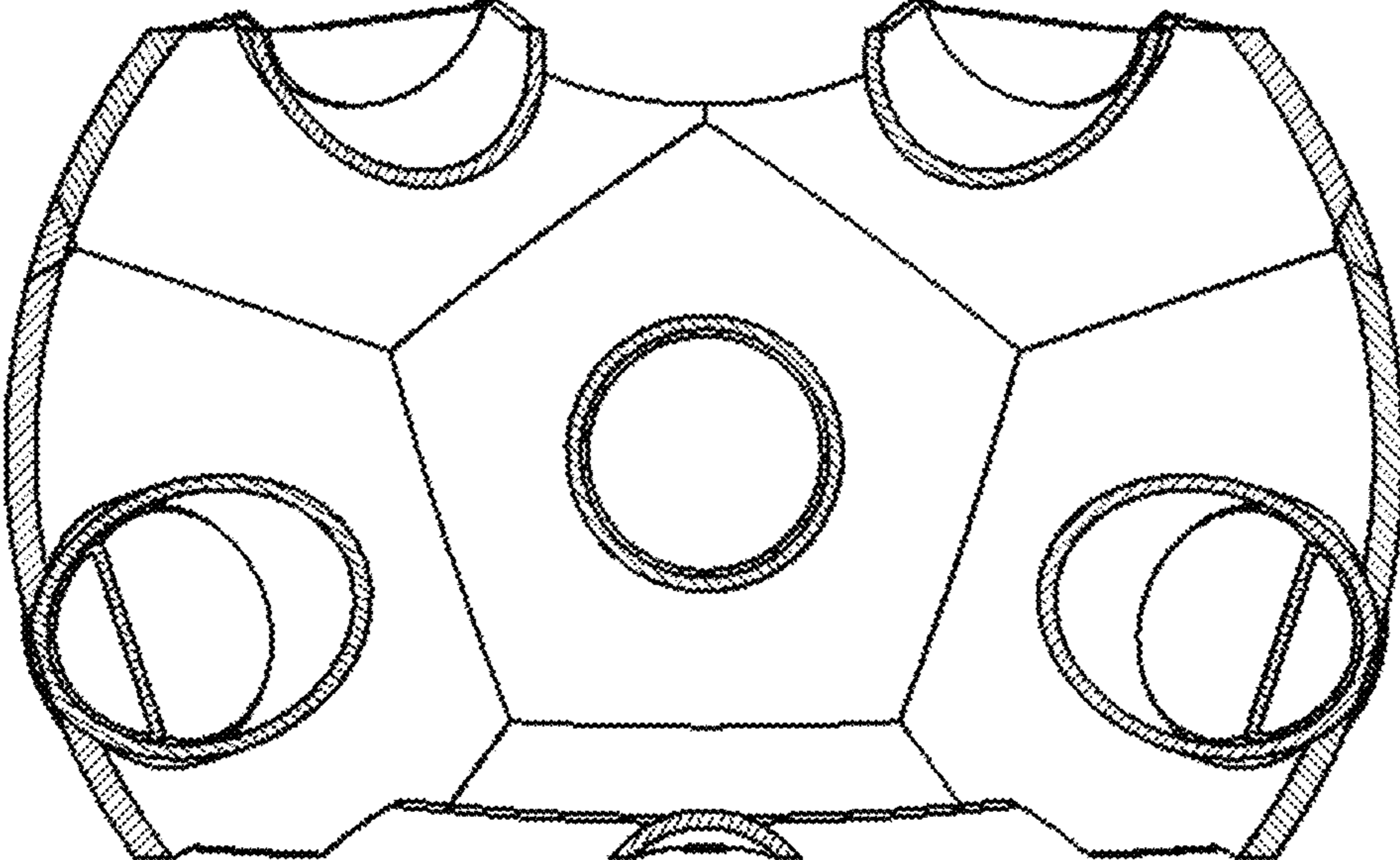


FIG. 13

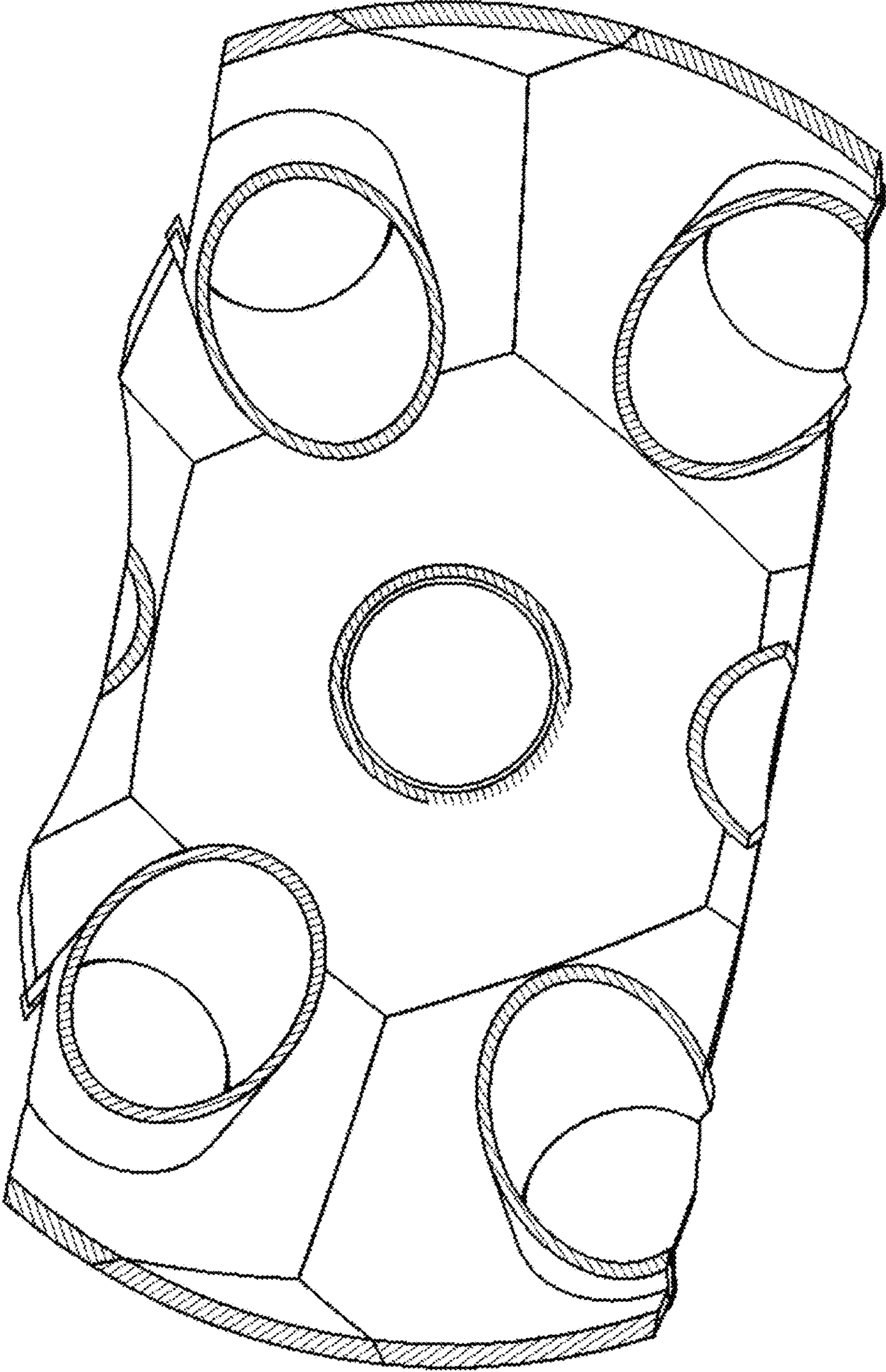


FIG. 14

UNITED STATES PATENT AND TRADEMARK OFFICE
CERTIFICATE OF CORRECTION

PATENT NO. : D815,356 S
APPLICATION NO. : 29/555806
DATED : April 10, 2018
INVENTOR(S) : Kamal Hajiri

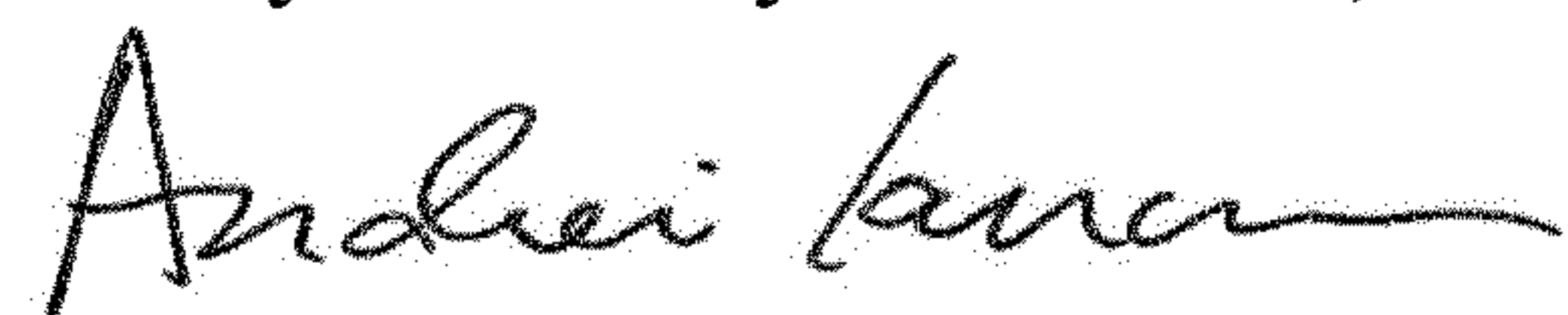
Page 1 of 1

It is certified that error appears in the above-identified patent and that said Letters Patent is hereby corrected as shown below:

On the Title Page

Item (30) should read:
(30) Foreign Application Priority Data
Sept. 24, 2015 (EM) 002778985

Signed and Sealed this
Twenty-third Day of October, 2018



Andrei Iancu
Director of the United States Patent and Trademark Office