



US00D815355S

(12) **United States Design Patent** (10) **Patent No.:** **US D815,355 S**
Fleming et al. (45) **Date of Patent:** **** Apr. 10, 2018**

(54) **HAIR CLIPPER HOUSING**
(71) Applicant: **WAHL CLIPPER CORPORATION**,
Sterling, IL (US)
(72) Inventors: **Jeff Fleming**, Dixon, IL (US); **Dustin Taylor**, Ridott, IL (US); **Steven Arndt**,
Geneseo, IL (US)
(73) Assignee: **WAHL CLIPPER CORPORATION**,
Sterling, IL (US)
(**) Term: **15 Years**
(21) Appl. No.: **29/596,990**
(22) Filed: **Mar. 13, 2017**
(51) **LOC (11) Cl.** **28-03**
(52) **U.S. Cl.**
USPC **D28/53**
(58) **Field of Classification Search**
USPC D28/49-54
CPC B26B 19/00-19/107
See application file for complete search history.

D715,489 S * 10/2014 Aulwes D28/54
D715,490 S 10/2014 Aulwes et al.
D715,491 S * 10/2014 Phillips D28/54
D722,202 S * 2/2015 Erickson D28/54
D758,665 S 6/2016 Skuhra
D759,308 S 6/2016 Reuter et al.
D759,309 S 6/2016 Reuter et al.

(Continued)

OTHER PUBLICATIONS

WAHL Clipper Advertisement for Senior Premium Clipper, Feb. 13, 2017.

(Continued)

Primary Examiner — Jennifer Rivard
(74) *Attorney, Agent, or Firm* — Greer, Burns & Crain, Ltd.

(57) **CLAIM**

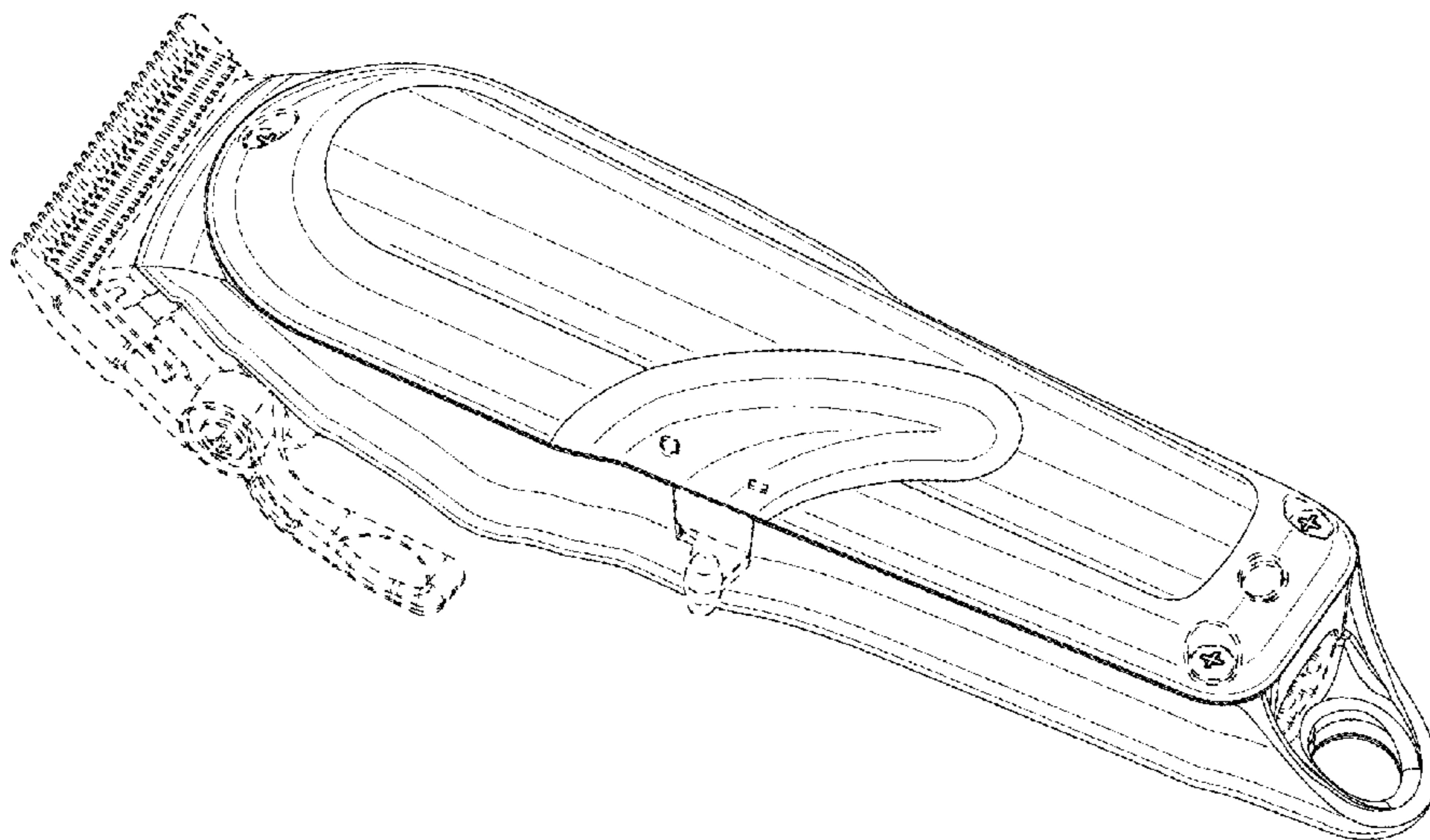
The ornamental design for a hair clipper housing, as shown and described.

DESCRIPTION

FIG. 1 is a top perspective view of the present hair clipper housing;
FIG. 2 is a front view of same;
FIG. 3 is a rear view of the hair clipper housing of FIG. 1;
FIG. 4 is a left side view of same;
FIG. 5 is a right side view of the hair clipper housing of FIG. 1;
FIG. 6 is a top view of same; and,
FIG. 7 is a bottom view of the hair clipper housing of FIG. 1.
The broken line disclosures of the clipper blade and adjustment handle illustrate the environment. The remaining broken lines illustrate portions of the hair clipper housing. None of the broken lines forms part of the claimed design.

1 Claim, 6 Drawing Sheets

(56) **References Cited**
U.S. PATENT DOCUMENTS
D339,213 S * 9/1993 Wahl D28/54
D435,936 S 1/2001 Long et al.
D497,452 S * 10/2004 Nielsen D28/53
D500,392 S * 12/2004 Buck, Jr. D28/54
D522,693 S * 6/2006 Rizzuto, Jr. D28/53
D534,689 S * 1/2007 Gross D28/53
D571,504 S * 6/2008 Long D28/54
D577,865 S * 9/2008 Long D28/54
D597,253 S * 7/2009 Eddinger D28/54
D597,254 S * 7/2009 Eddinger D28/54
D673,731 S * 1/2013 Skuhra D28/53
D675,782 S * 2/2013 Buck, Jr. D28/54
D683,901 S 6/2013 Skuhra et al.
D700,998 S * 3/2014 Aulwes D28/54
D700,999 S * 3/2014 Aulwes D28/54



(56)

References Cited

U.S. PATENT DOCUMENTS

D790,132 S * 6/2017 Aulwes D28/54
D790,133 S * 6/2017 Aulwes D28/54
2003/0051346 A1* 3/2003 McCambridge B26B 19/06
30/122

OTHER PUBLICATIONS

WAHL Clipper Advertisement for Super Taper Clipper, Feb. 13, 2017.

Alamo Barber and Beauty Supply, "Wahl Professional Senior Clippers," Alamobeauty's Blog, Jul. 29, 2015 <<https://alamobeauty.wordpress.com/2015/07/29/wahl-professional-senior-clippers/>>.

AD the Barber, "WAHL 5 Star Senior Product Review," YouTube, published Jan. 17, 2016, <<https://www.youtube.com/watch?v=8q9jbiiJLcA>>.

Australian Design Examination Report from corresponding Australian Design Application No. 201715137, dated Dec. 12, 2017.

* cited by examiner

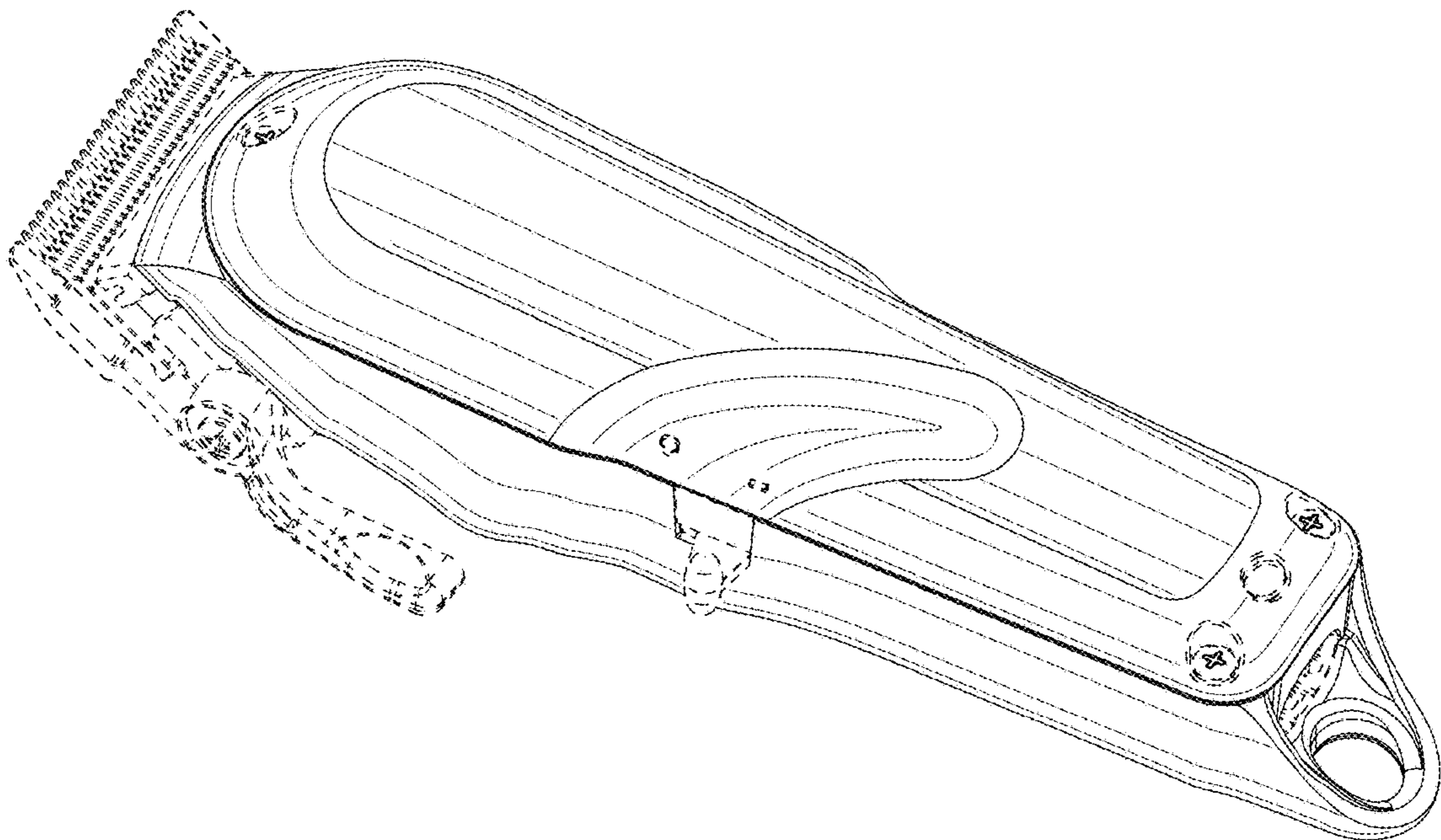


FIG. 1

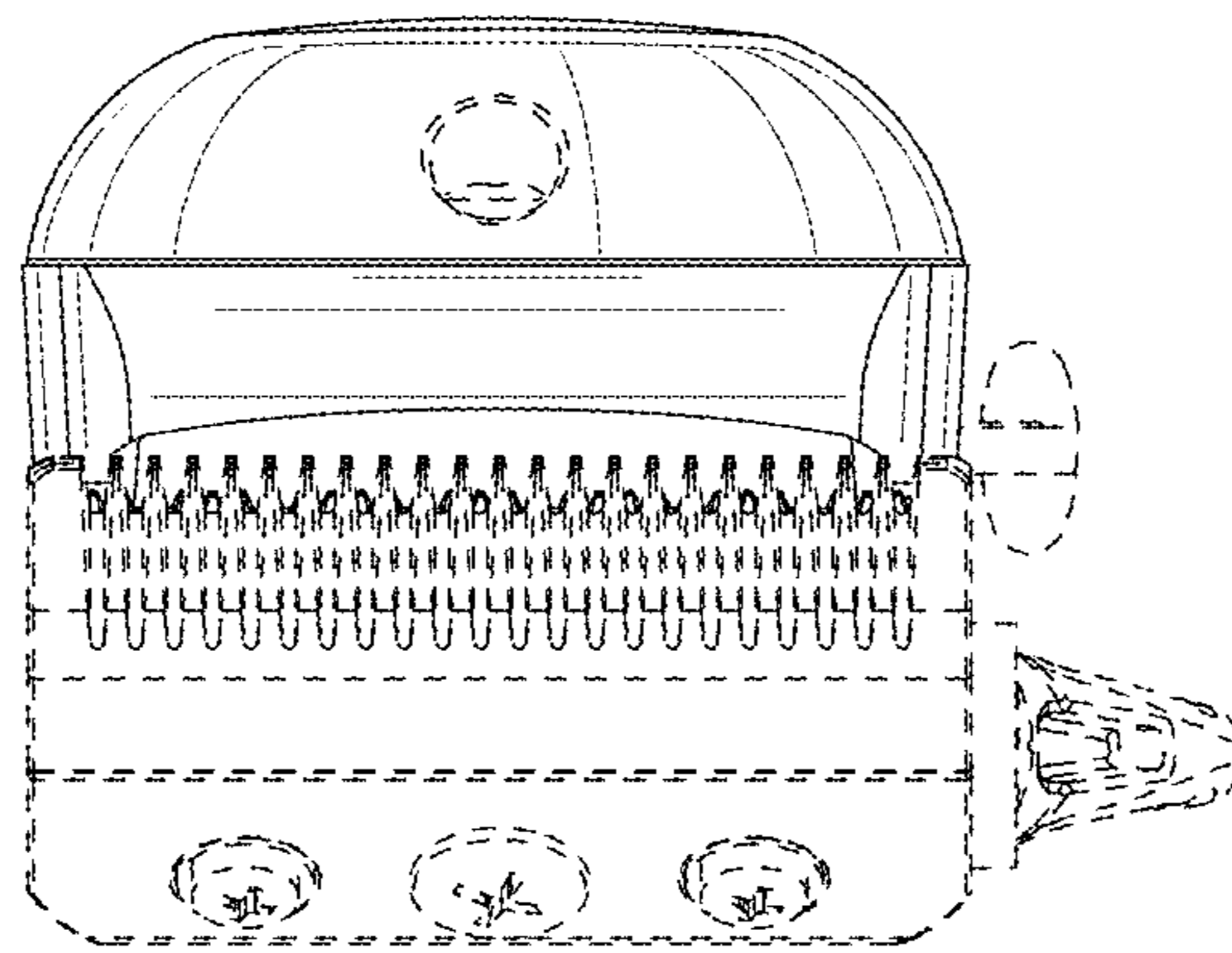


FIG. 2

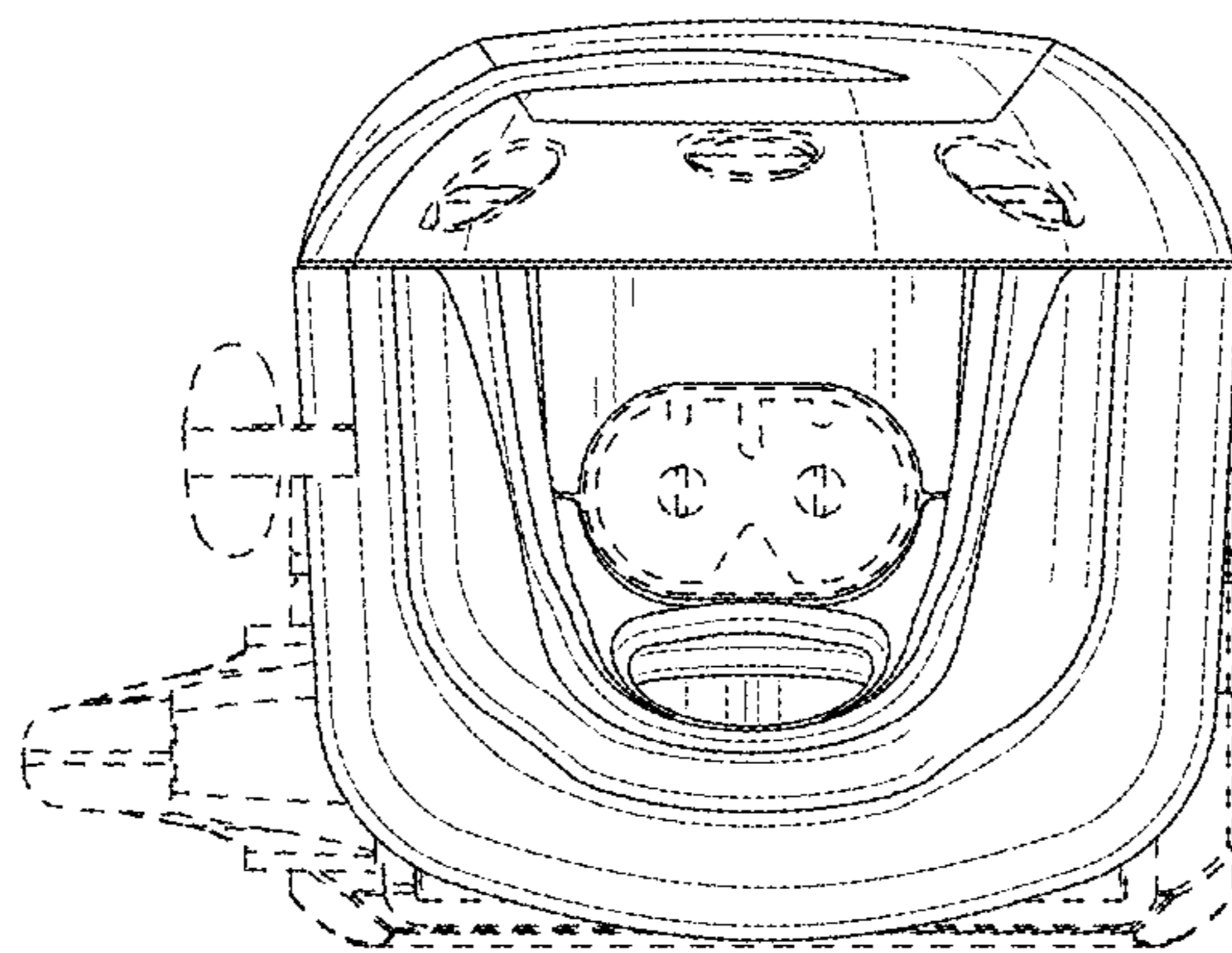


FIG. 3

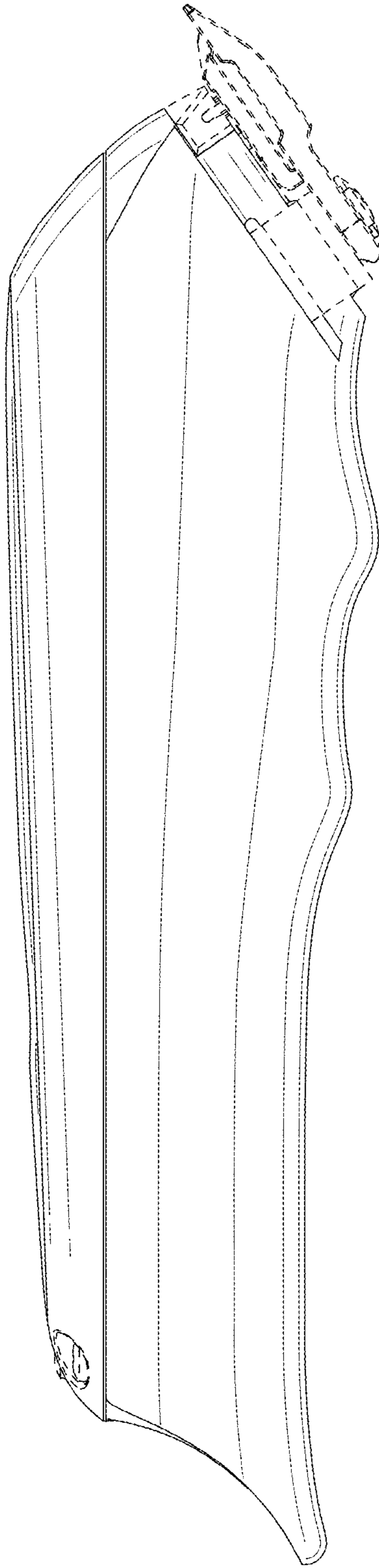


FIG. 4

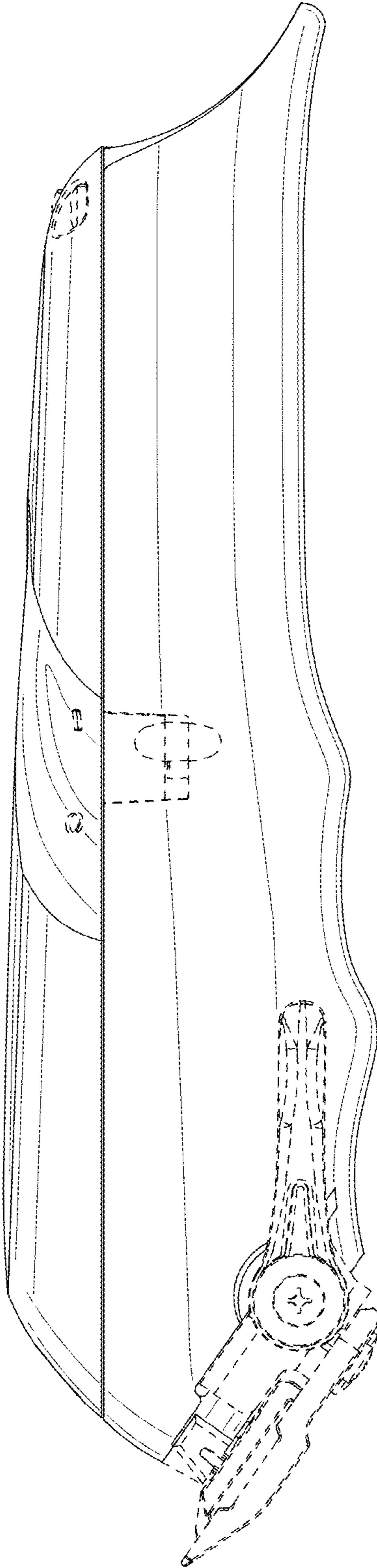


FIG. 5

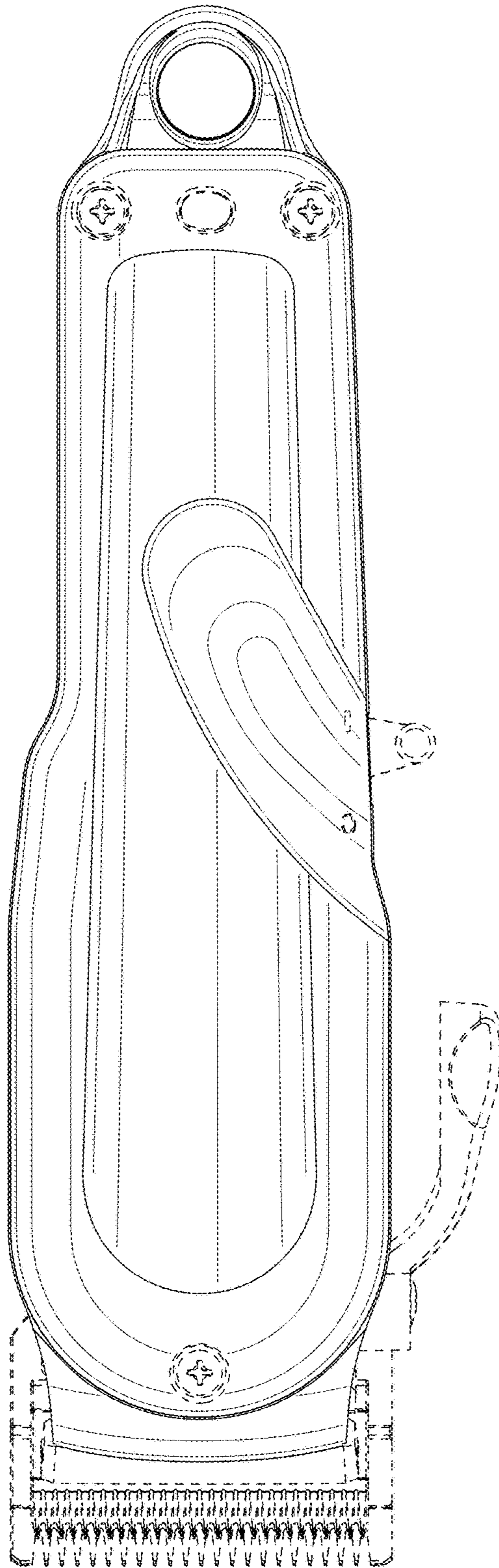


FIG. 6

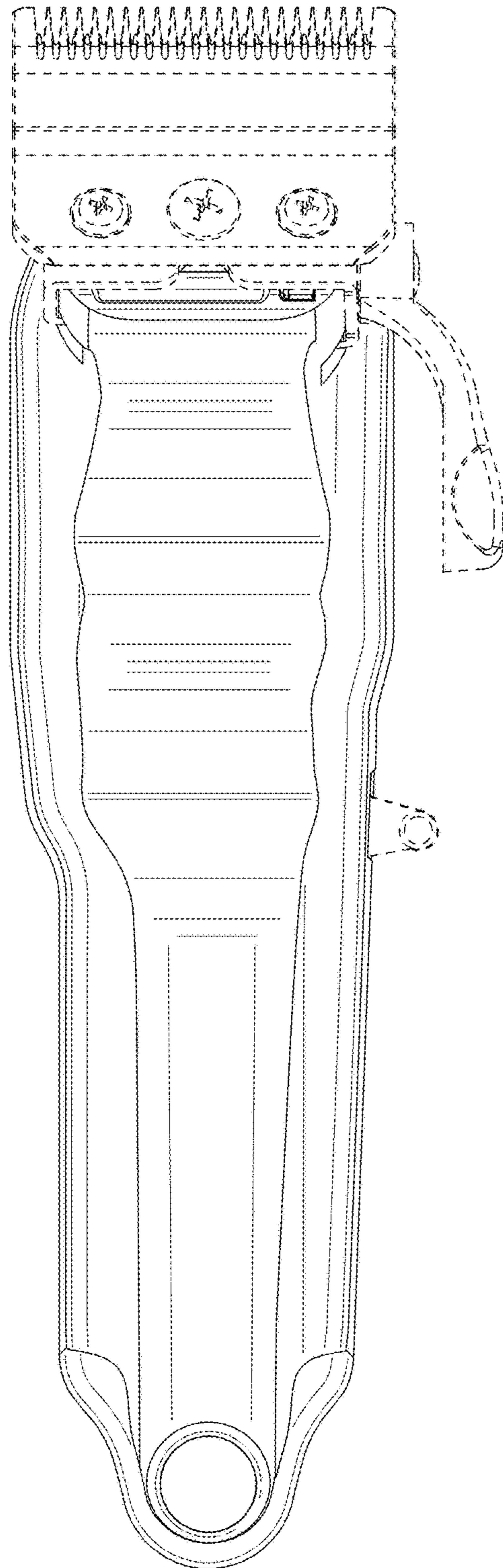


FIG. 7