



US00D815353S

(12) **United States Design Patent**
Barbar

(10) **Patent No.:** **US D815,353 S**

(45) **Date of Patent:** **** Apr. 10, 2018**

(54) **HAIR DRYER**

(71) Applicant: **Dominic Barbar**, Valencia, CA (US)

(72) Inventor: **Dominic Barbar**, Valencia, CA (US)

(**) Term: **15 Years**

(21) Appl. No.: **29/573,109**

(22) Filed: **Aug. 2, 2016**

(51) **LOC (11) Cl.** **28-03**

(52) **U.S. Cl.**
USPC **D28/13**

(58) **Field of Classification Search**
USPC D24/13, 12, 10, 19, 24; 34/96, 97, 98;
392/380, 379, 383-385

See application file for complete search history.

(56) **References Cited**

U.S. PATENT DOCUMENTS

D518,919 S *	4/2006	Parodi	D28/13
D528,698 S *	9/2006	Rizzuto, Jr.	D28/13
D617,047 S *	6/2010	Kim	D28/13
D637,347 S *	5/2011	Schmitz	D28/13
D678,607 S *	3/2013	Parodi	D28/13
D681,275 S *	4/2013	Huang	D28/13
D715,485 S *	10/2014	Parodi	A45D 20/12 D28/13
D726,958 S *	4/2015	Spagnolo	D28/13
D758,657 S *	6/2016	Hary	D28/13
2007/0047930 A1 *	3/2007	Cafaro	A45D 20/12 392/385

2015/0201730 A1* 7/2015 Carlucci A45D 20/12
34/82

2015/0289623 A1* 10/2015 Matsui H01T 23/00
34/97

2016/0166035 A1* 6/2016 Douglas A45D 20/12
34/97

* cited by examiner

Primary Examiner — Susan Bennett Hattan

Assistant Examiner — Rebecca Tsehaye

(74) *Attorney, Agent, or Firm* — QuickPatents, LLC;
Kevin Prince

(57) **CLAIM**

I claim the ornamental design for a hair dryer, as shown and described.

DESCRIPTION

FIG. 1 is a front perspective view of a hair dryer, showing my new design;

FIG. 2 is a rear perspective view thereof;

FIG. 3 is a front elevational view thereof;

FIG. 4 is a rear elevational view thereof;

FIG. 5 is a left-side elevational view thereof;

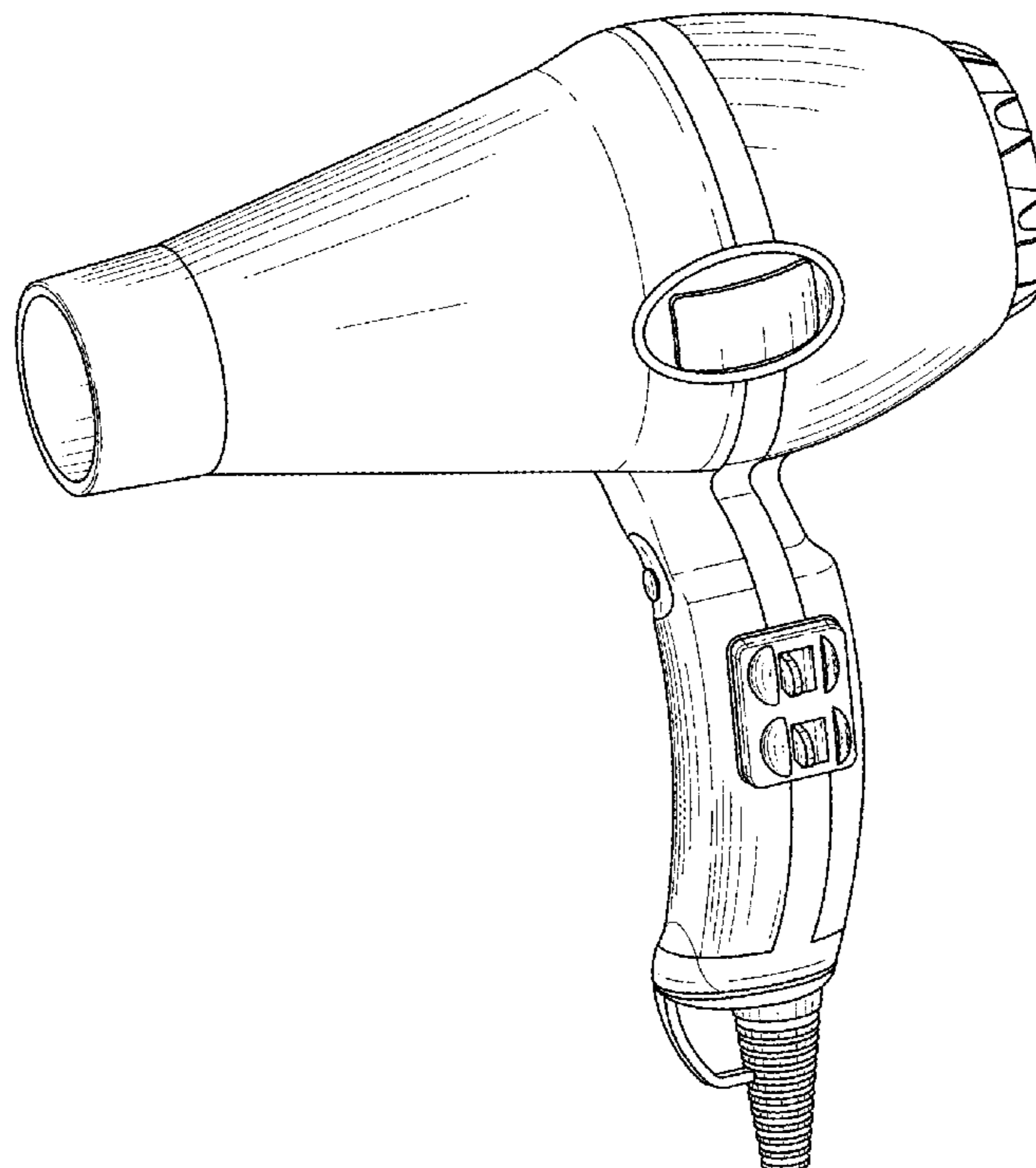
FIG. 6 is a right-side elevational view thereof;

FIG. 7 is a top plan view thereof; and,

FIG. 8 is a bottom plan view thereof.

The broken lines in FIG. 3 depict portions of the hair dryer that form no part of the claimed design.

1 Claim, 7 Drawing Sheets



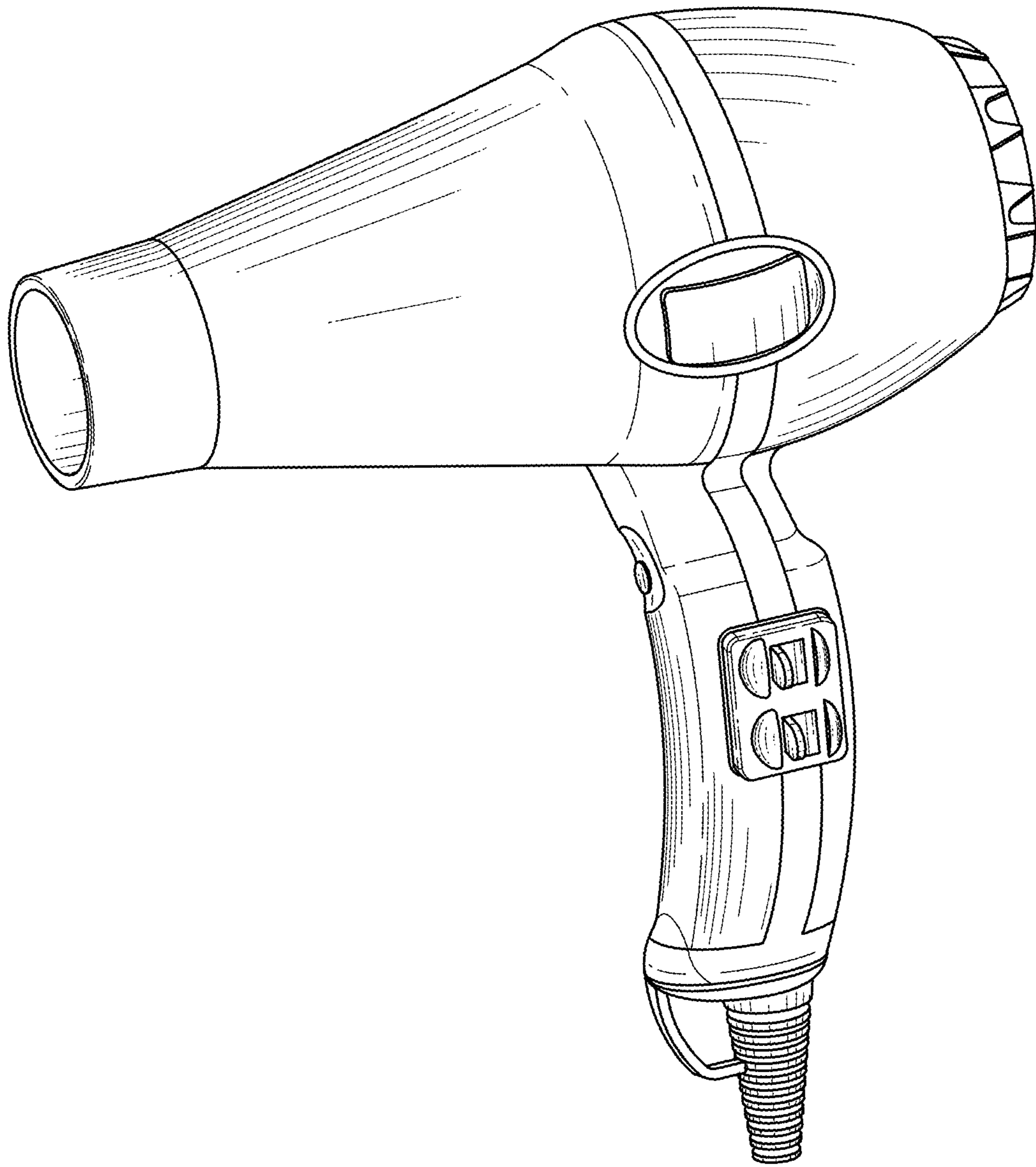


FIG. 1

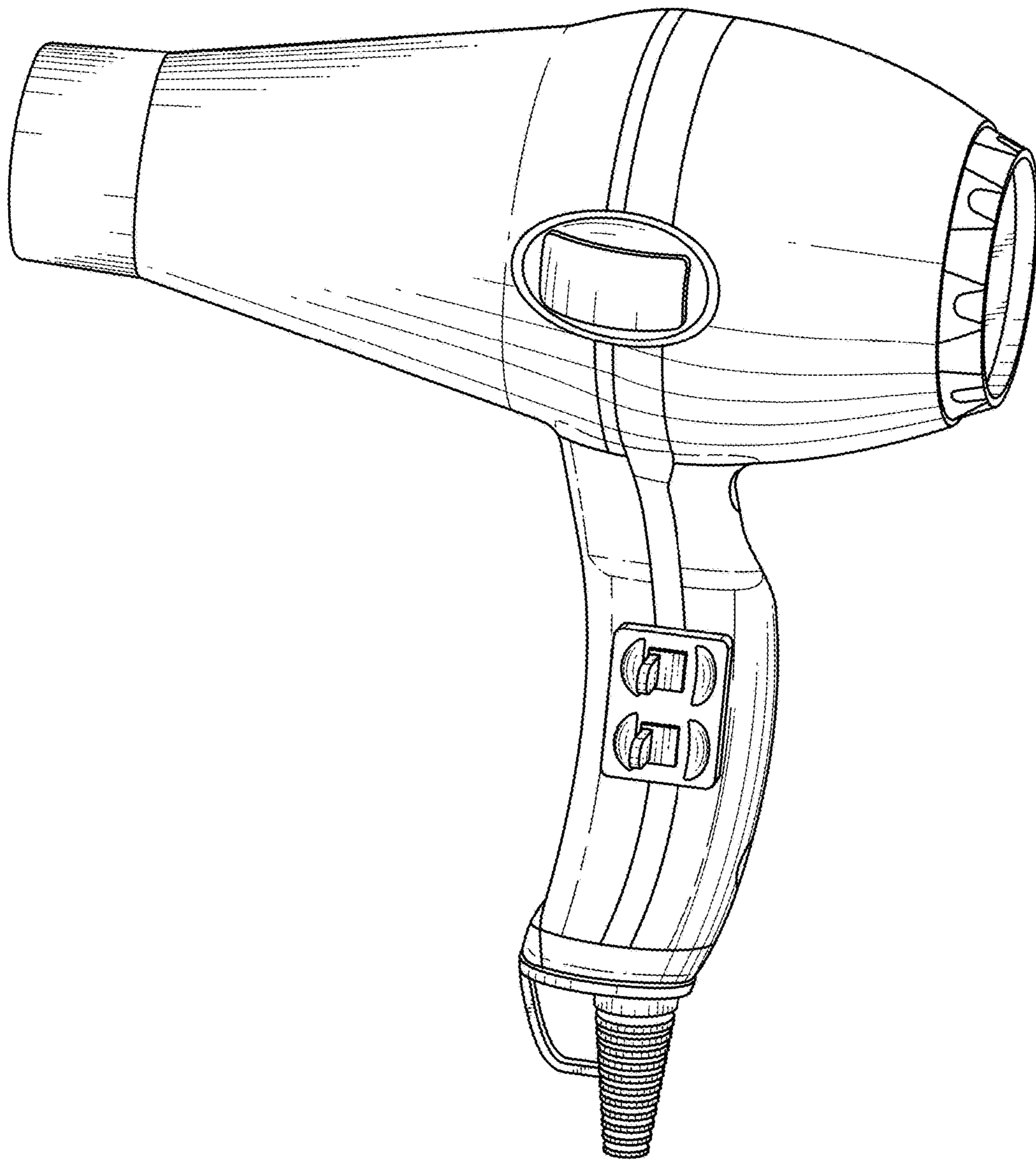


FIG. 2

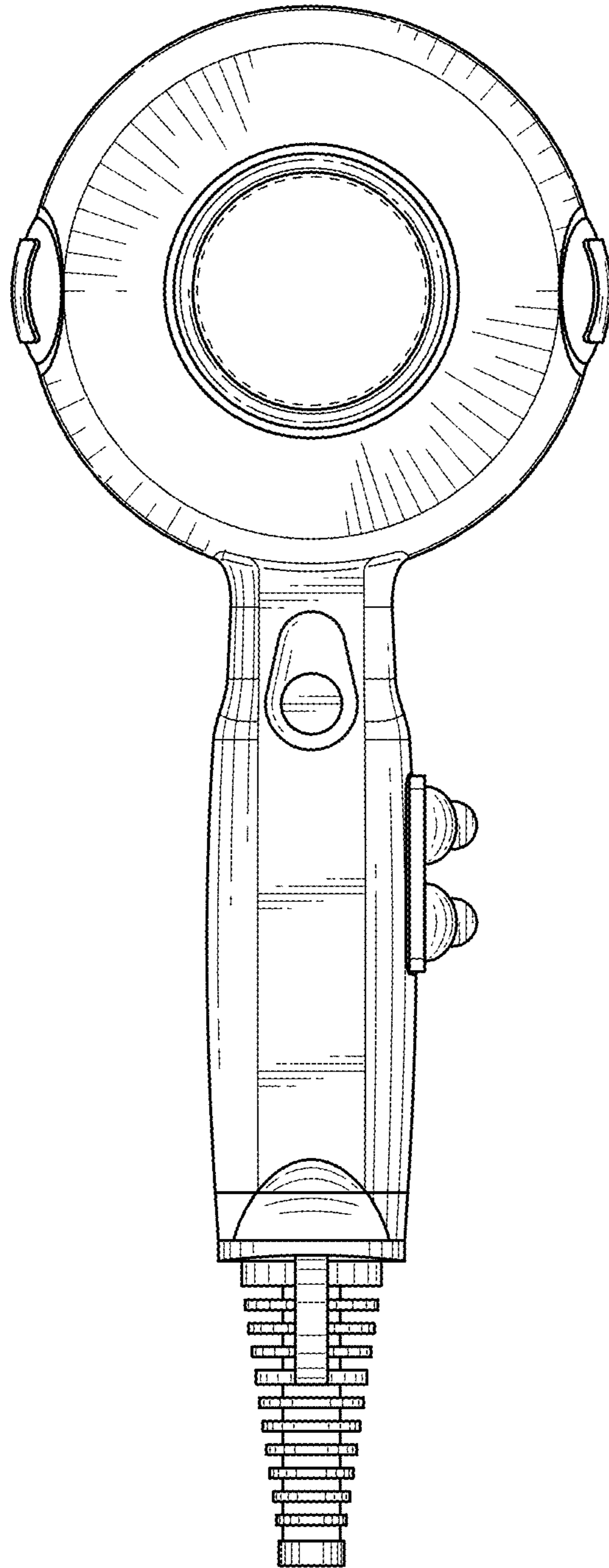


FIG. 3

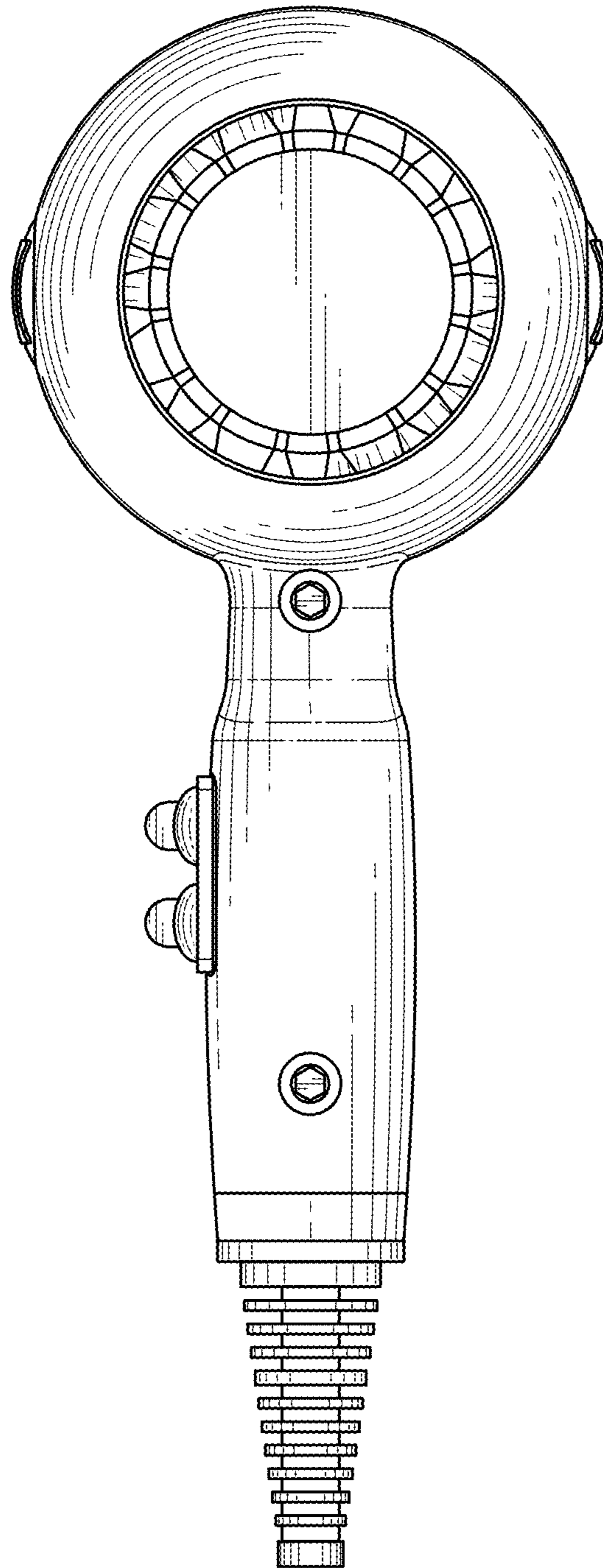


FIG. 4

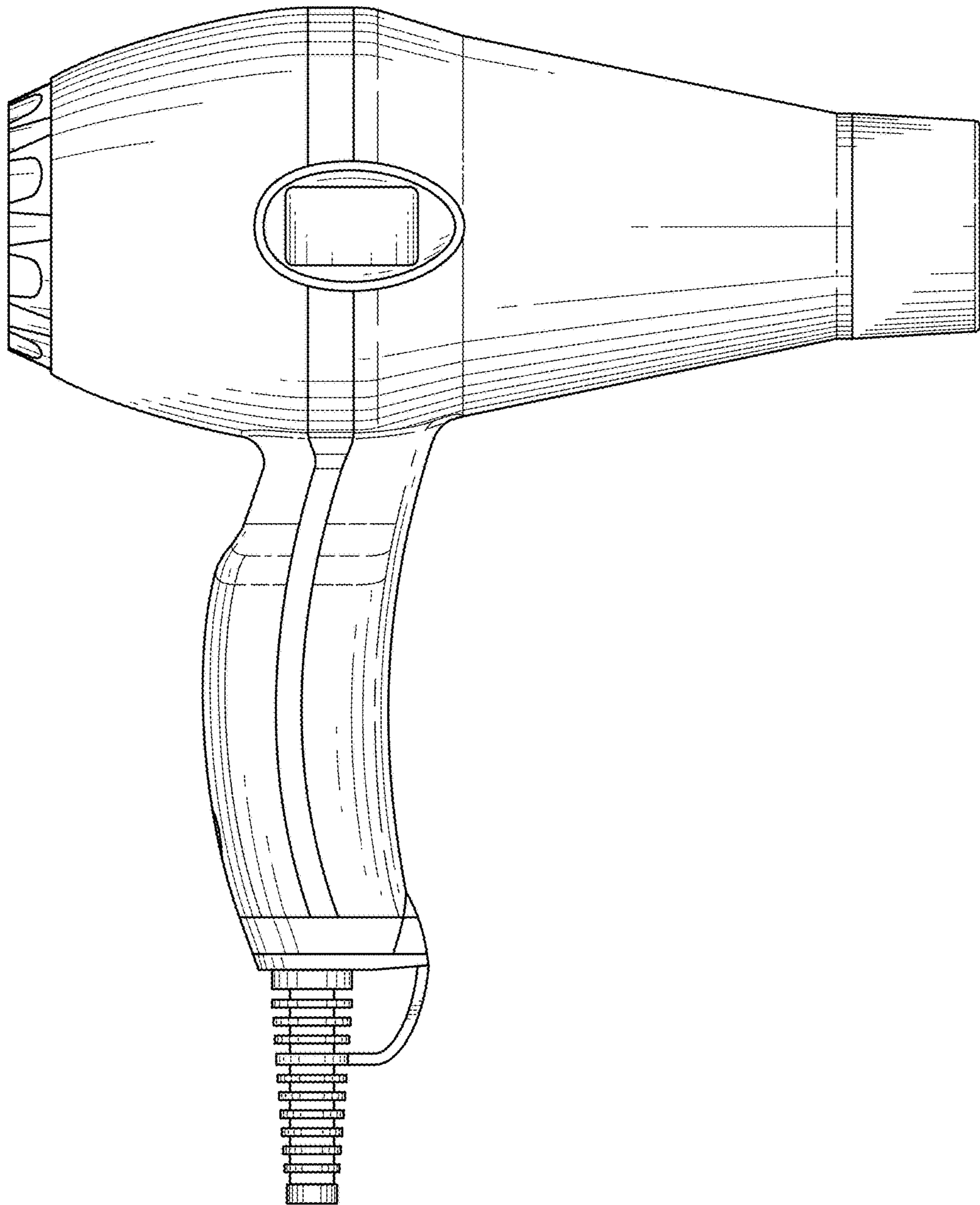


FIG. 5

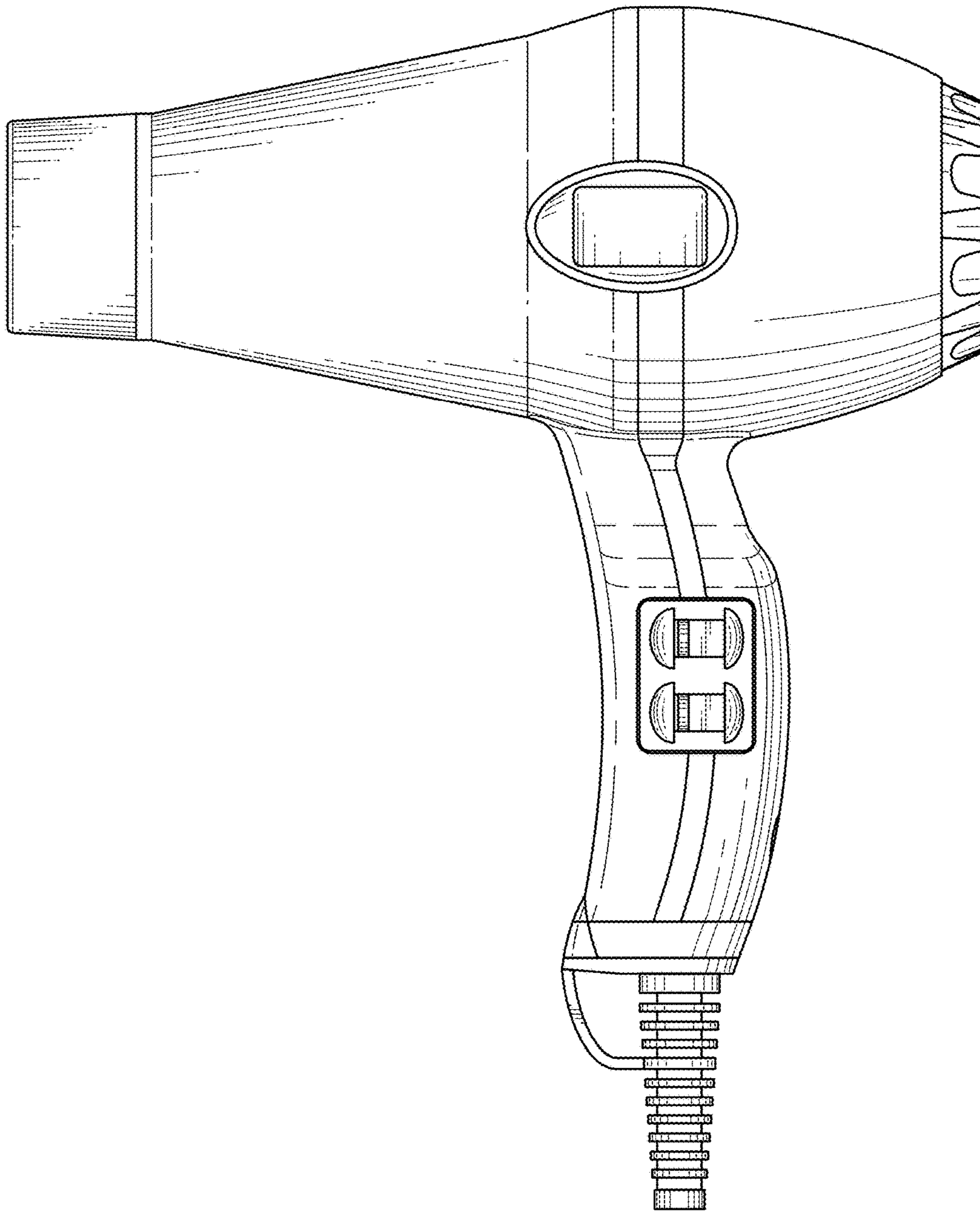


FIG. 6

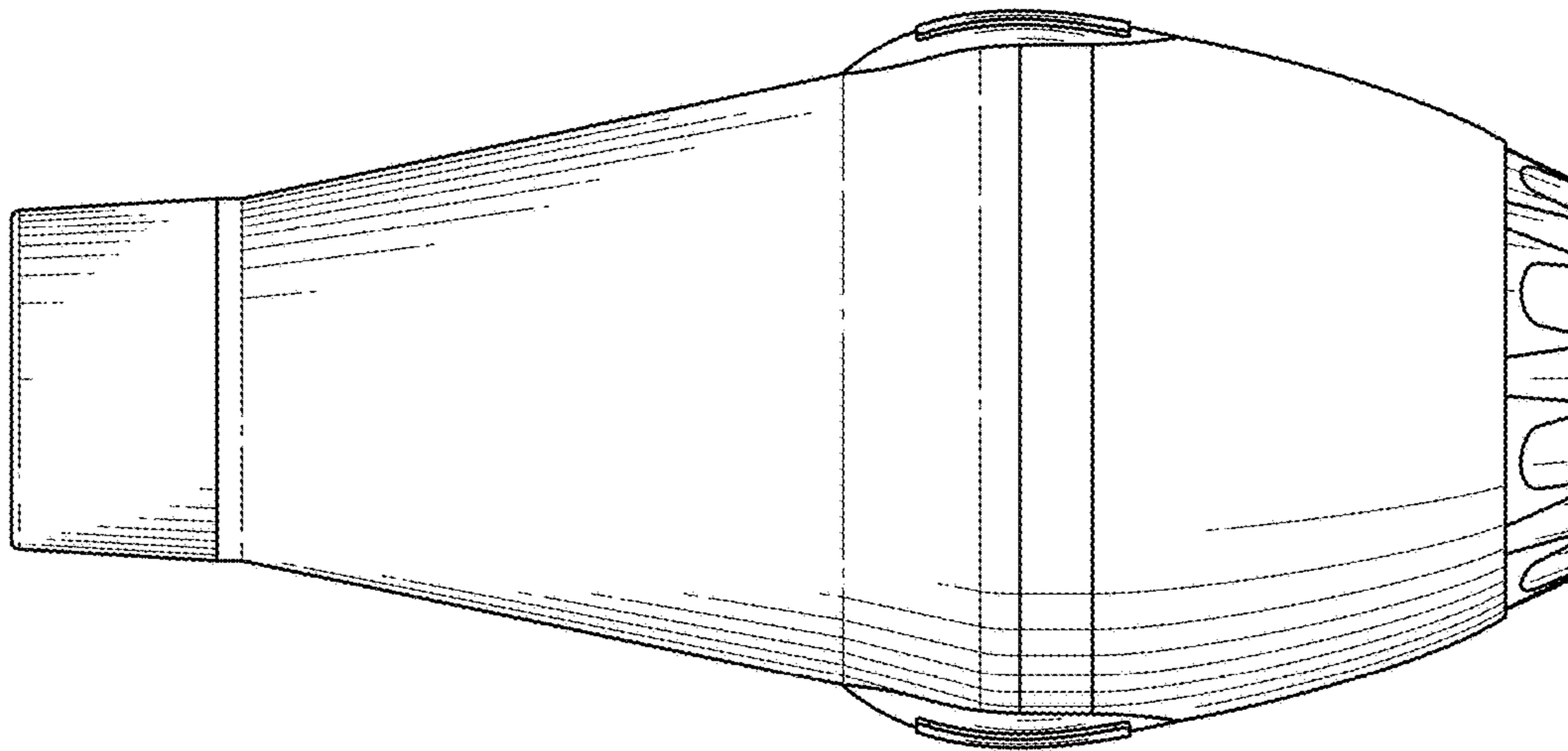


FIG. 7

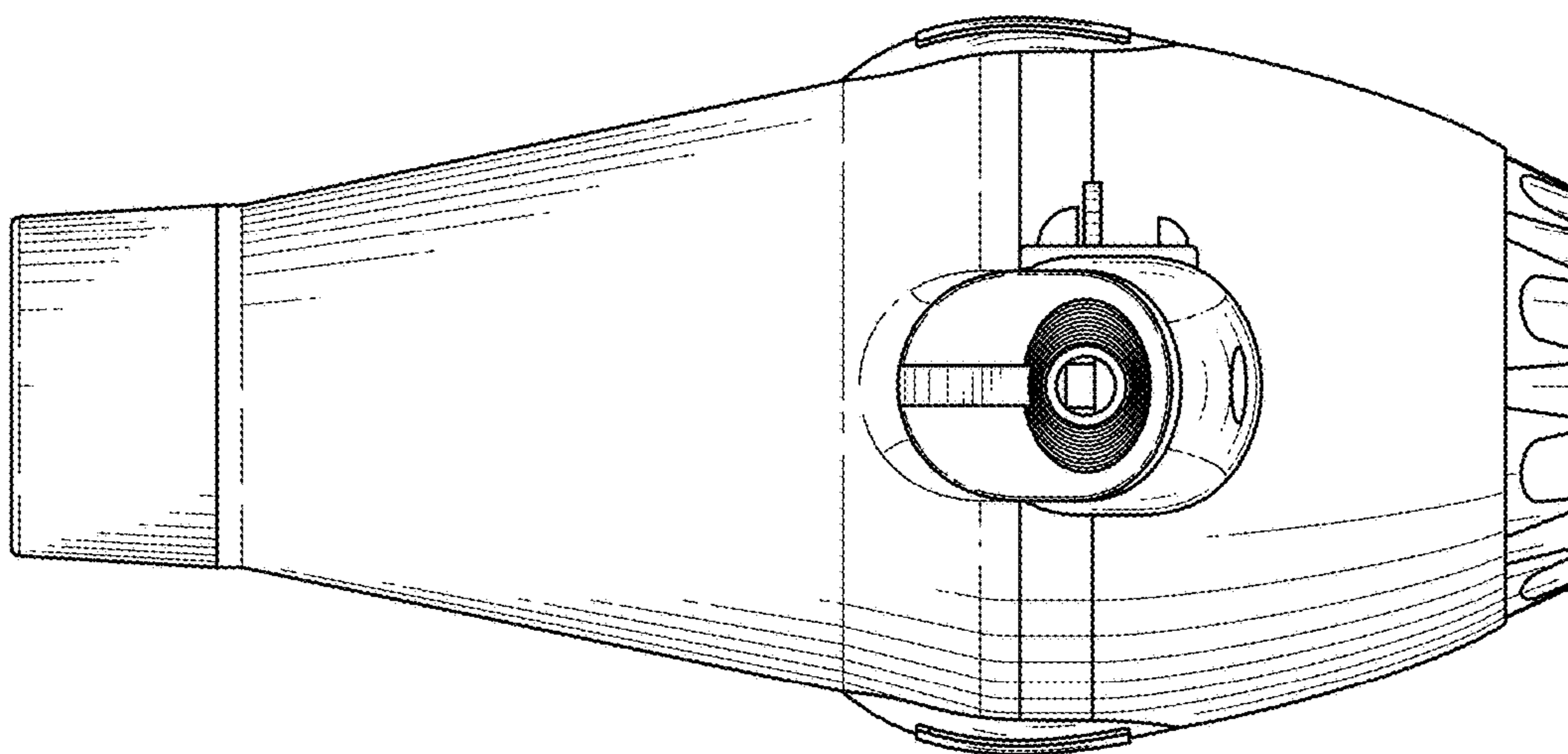


FIG. 8