



US00D815343S

(12) **United States Design Patent**
Kesselman

(10) **Patent No.:** **US D815,343 S**
(45) **Date of Patent:** **** Apr. 10, 2018**

(54) **BOX FOR STORING AND CUTTING ROLLING PAPER**

(71) Applicant: **Joshua D. Kesselman**, Vancouver (CA)

(72) Inventor: **Joshua D. Kesselman**, Vancouver (CA)

(73) Assignee: **BBK TOBACCO & FOODS, LLP**,
Phoenix, AZ (US)

(**) Term: **15 Years**

(21) Appl. No.: **29/595,103**

(22) Filed: **Feb. 24, 2017**

(51) **LOC (11) Cl.** **27-06**

(52) **U.S. Cl.**
USPC **D27/187**

(58) **Field of Classification Search**
USPC D27/100, 101, 162–170, 172–195, 139,
D27/141, 142, 143, 144, 152, 154, 158,
D27/160, 161; D9/432
CPC .. A24F 1/30; A24F 13/26; A24F 23/00; A24F
17/00; A24F 15/00
See application file for complete search history.

(56) **References Cited**

U.S. PATENT DOCUMENTS

D94,977 S *	3/1935	Lederer	D27/175
D142,450 S *	9/1945	Toklas	D27/189
D144,278 S *	3/1946	Wohl	206/256
D333,532 S *	2/1993	Campbell	D27/189
D379,553 S *	5/1997	DiGianni	D27/189
D385,653 S *	10/1997	Wicker	D27/187
D396,732 S *	8/1998	Bucher	D27/186
D398,715 S *	9/1998	Descalzo	D27/186
D398,716 S *	9/1998	Schoen	D27/186
D409,329 S *	5/1999	Bucher	D27/186
D414,891 S *	10/1999	Schmaling	D27/186
D416,105 S *	11/1999	Garrison	D27/189
6,027,187 A *	2/2000	Siepmann	A24F 25/02 206/213.1

(Continued)

Primary Examiner — Robert M. Spear

Assistant Examiner — Marissa J Cash

(74) *Attorney, Agent, or Firm* — Weiss & Moy, P.C.;
Jeffrey D. Moy

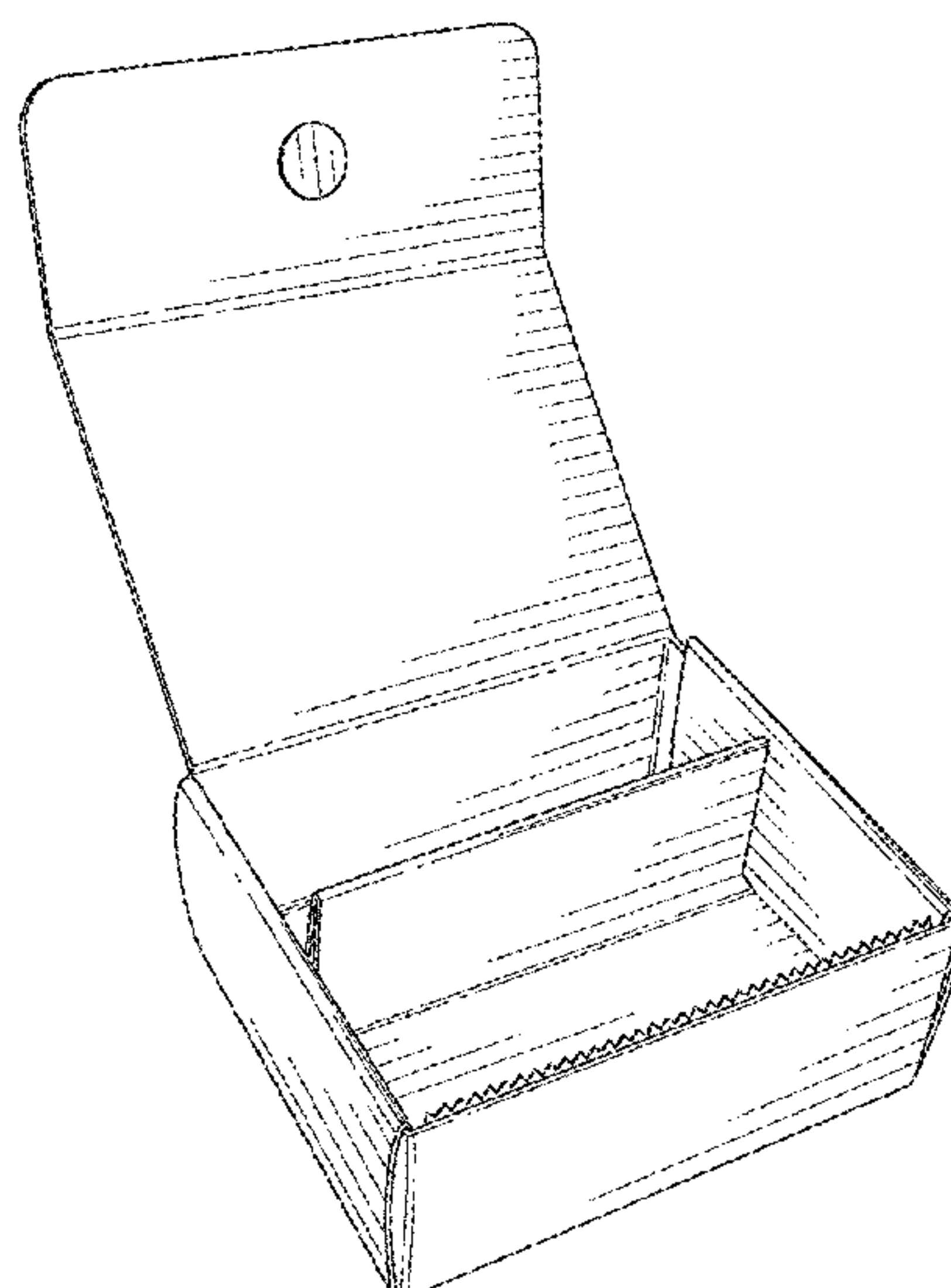
(57) **CLAIM**

The ornamental design for a box for storing and cutting rolling paper, as shown and described.

DESCRIPTION

FIG. 1 is a perspective view of a box for storing and cutting rolling paper, with a lid in an open position;
FIG. 2 is an interior view of the box for storing and cutting rolling papers, with the box unfolded;
FIG. 3 is an exterior view of the box for storing and cutting rolling papers, with the box unfolded;
FIG. 4 is a top interior view of the box for storing and cutting rolling papers, with the box unfolded;
FIG. 5 is a bottom interior view of the box for storing and cutting rolling papers, with the box unfolded;
FIG. 6 is a right interior side view of the box for storing and cutting rolling papers, with the box unfolded, the left interior side view being a mirror image thereof;
FIG. 7 is a perspective view of a box for storing and cutting rolling paper, with a lid in a closed position;
FIG. 8 is a right side view of a box for storing and cutting rolling paper, with a lid in a closed position;
FIG. 9 is a left side view of a box for storing and cutting rolling paper, with a lid in a closed position;
FIG. 10 is a rear view of a box for storing and cutting rolling paper, with a lid in a closed position;
FIG. 11 is a top view of a box for storing and cutting rolling paper, with a lid in a closed position; and,
FIG. 12 is a bottom view of a box for storing and cutting rolling paper, with a lid in a closed position.
The broken lines represent fold line creases and form part of the claimed design.

1 Claim, 9 Drawing Sheets



(56)

References Cited

U.S. PATENT DOCUMENTS

D580,263 S * 11/2008 Yi Man D9/432
D600,855 S * 9/2009 Krohn D27/189
D612,094 S * 3/2010 Bellamah D27/189
D612,095 S * 3/2010 Brown D27/189
D626,688 S * 11/2010 Gibson D27/183
D686,491 S * 7/2013 Kuo D9/432
D692,177 S * 10/2013 Angiolillo D27/189
D701,117 S * 3/2014 Tognetti D9/432
D722,870 S * 2/2015 Fohner D9/424
D731,325 S * 6/2015 Loessin D9/737
D734,535 S * 7/2015 Dyer D27/189
D744,829 S * 12/2015 Deering D9/432
D754,920 S * 4/2016 Domon D27/189
D791,589 S * 7/2017 Remash D9/432
D806,312 S * 12/2017 Leon D27/183
2006/0243785 A1 * 11/2006 Wang B65D 5/18
229/122
2009/0014019 A1 * 1/2009 Park A24F 25/00
131/328
2010/0206757 A1 * 8/2010 Kesselman A24D 1/02
206/494
2011/0030710 A1 * 2/2011 Kesselman A24D 1/02
131/365
2012/0103842 A1 * 5/2012 Koester A24F 17/00
206/273
2015/0230520 A1 * 8/2015 Barrett A24F 17/00
206/229

* cited by examiner

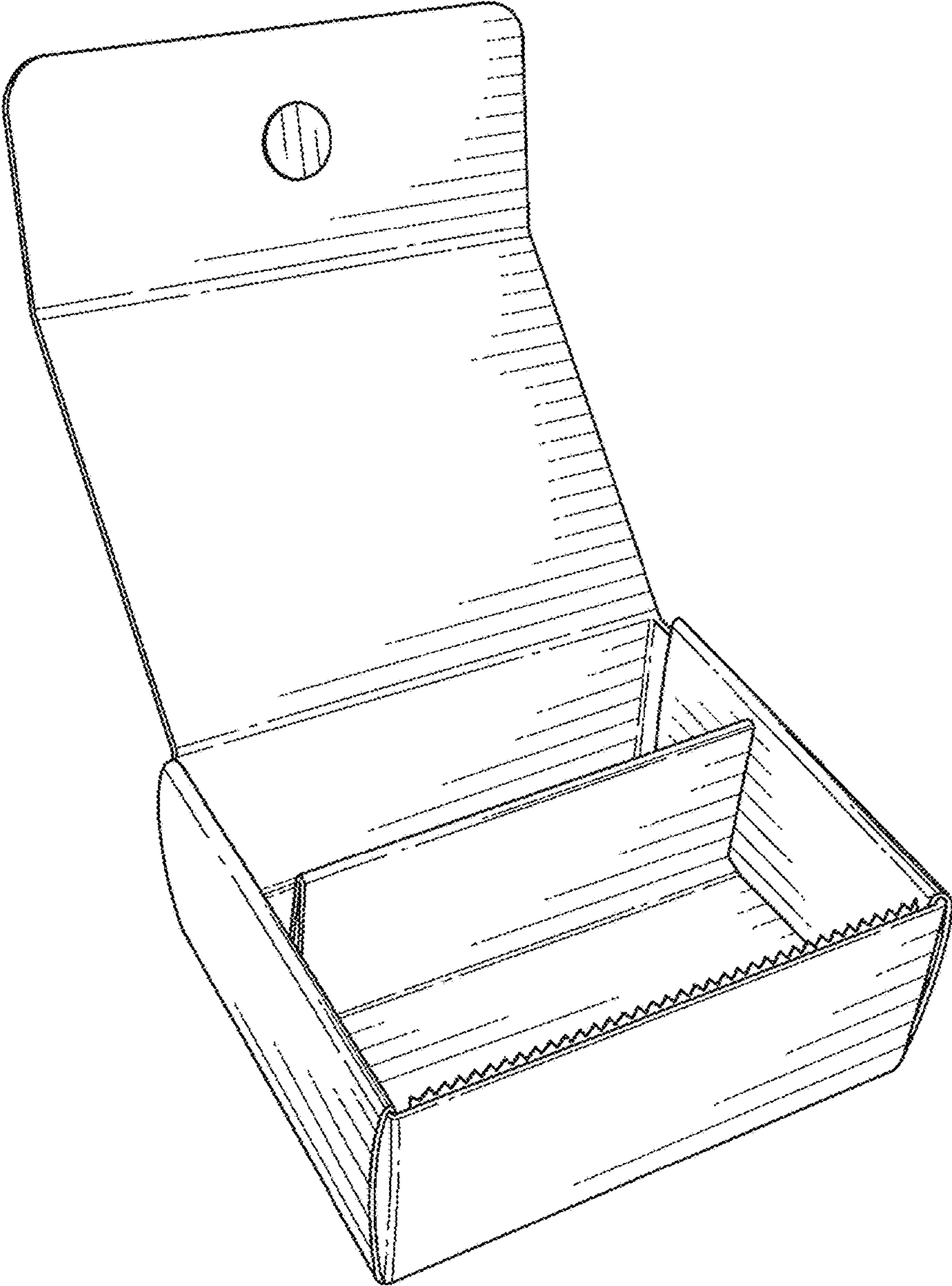


FIG. 1

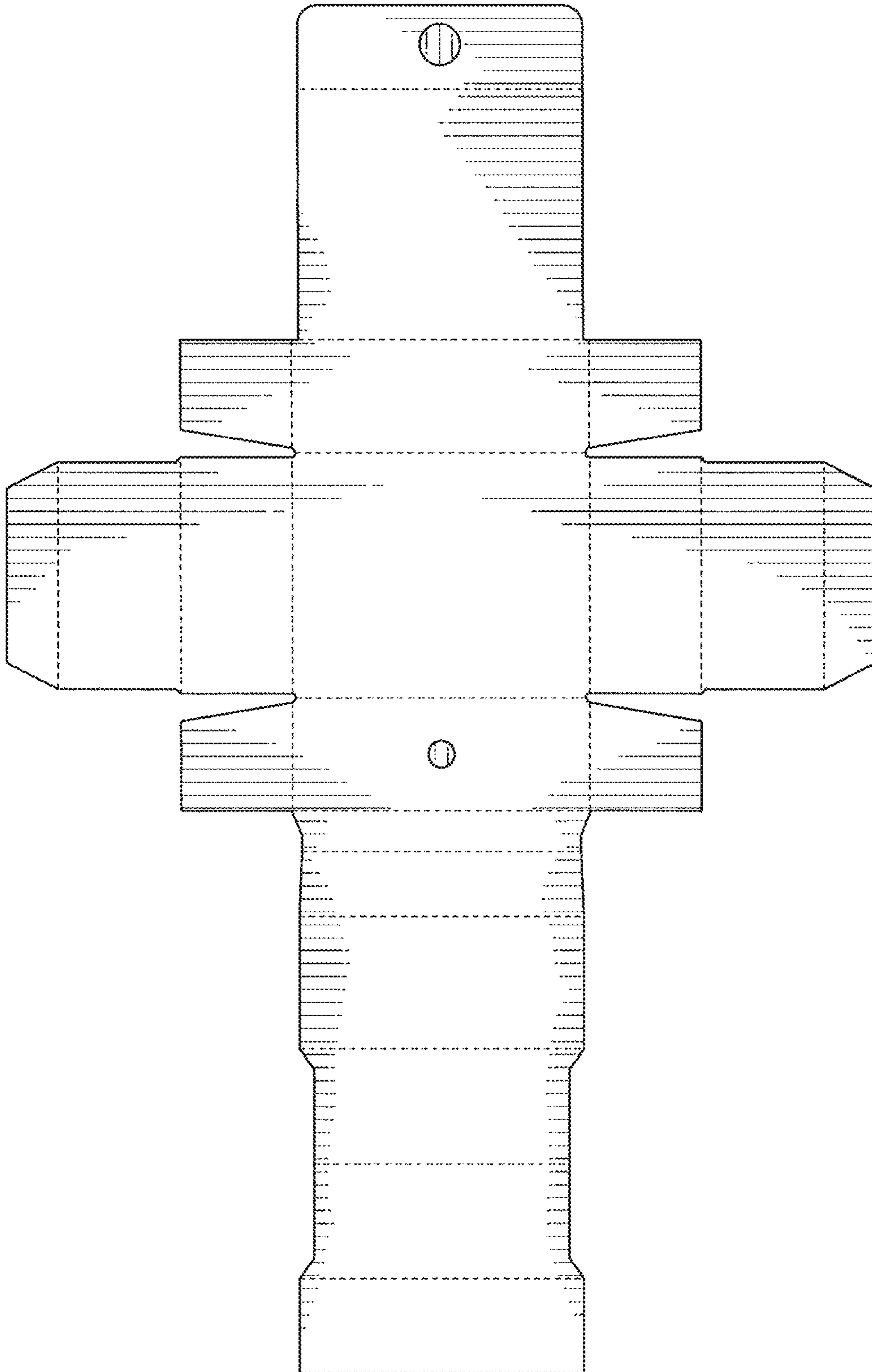


FIG. 2

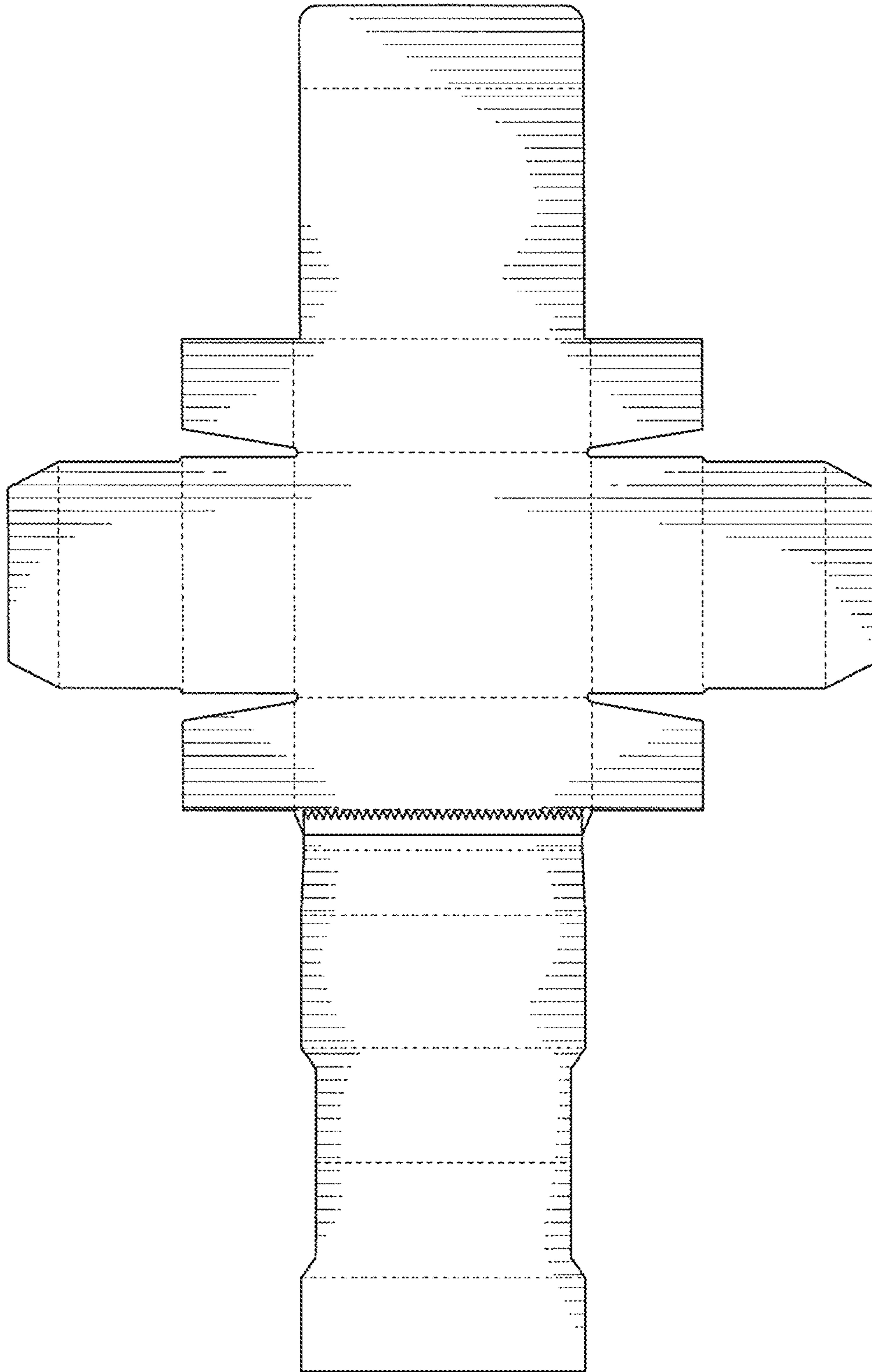


FIG. 3



FIG. 4



FIG. 5



FIG. 6

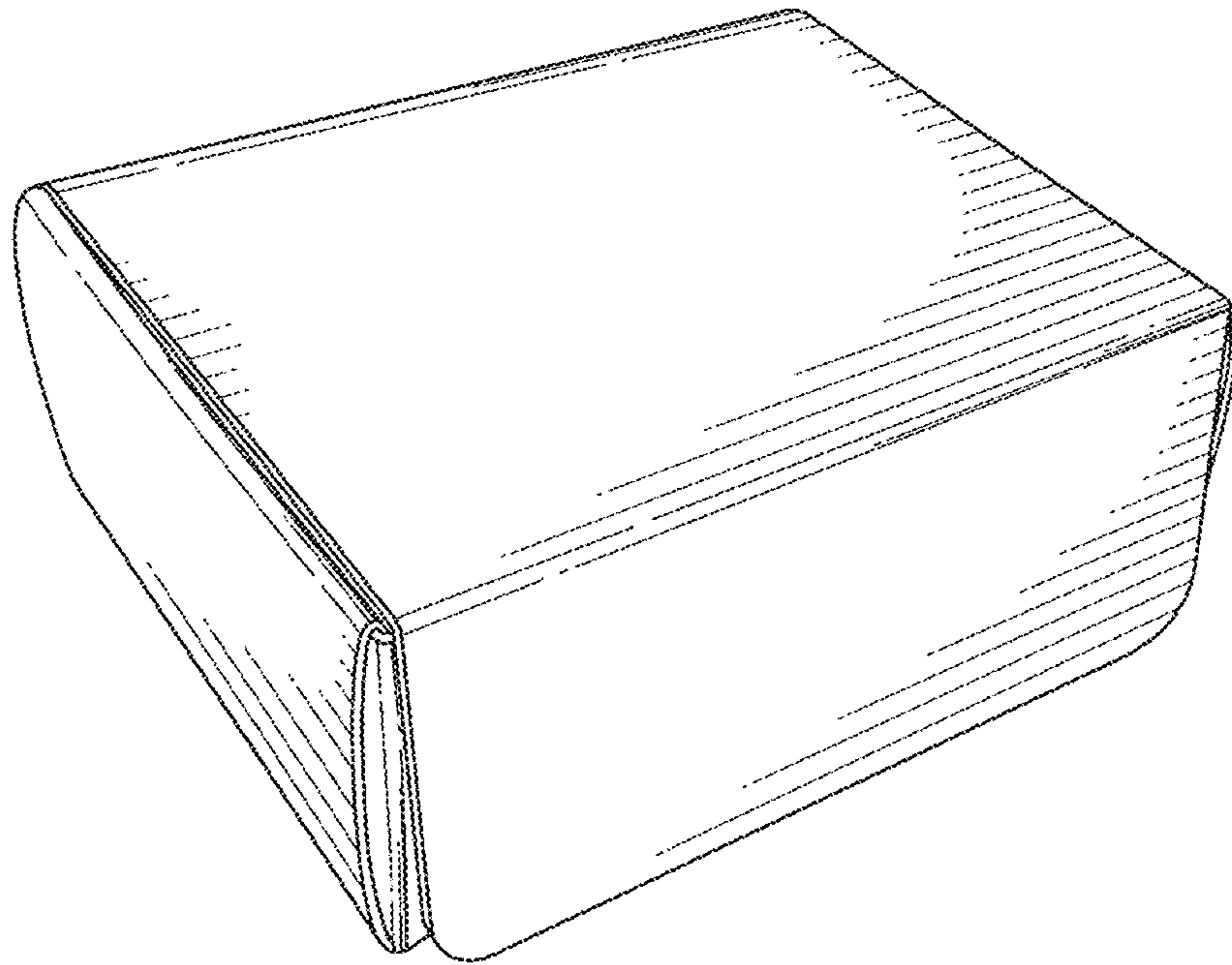


FIG. 7

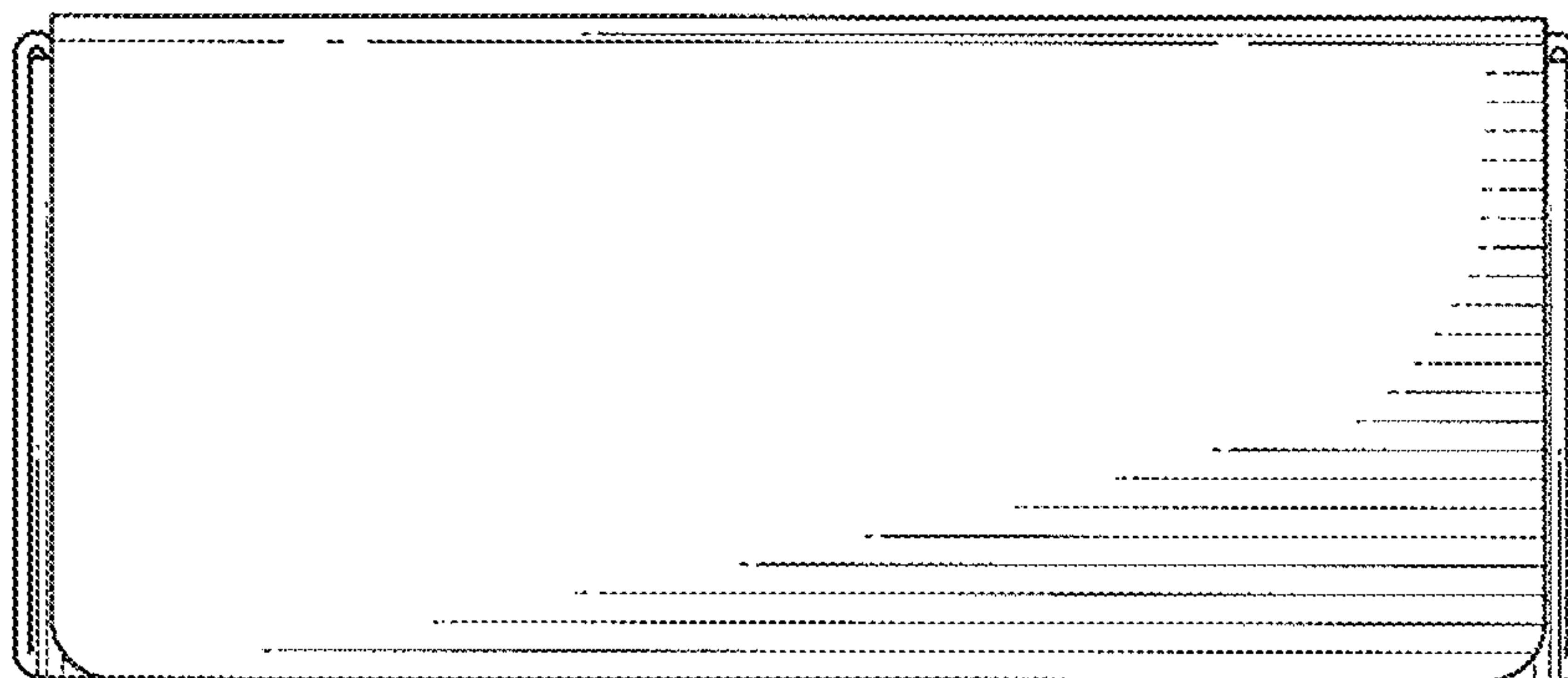


FIG. 8

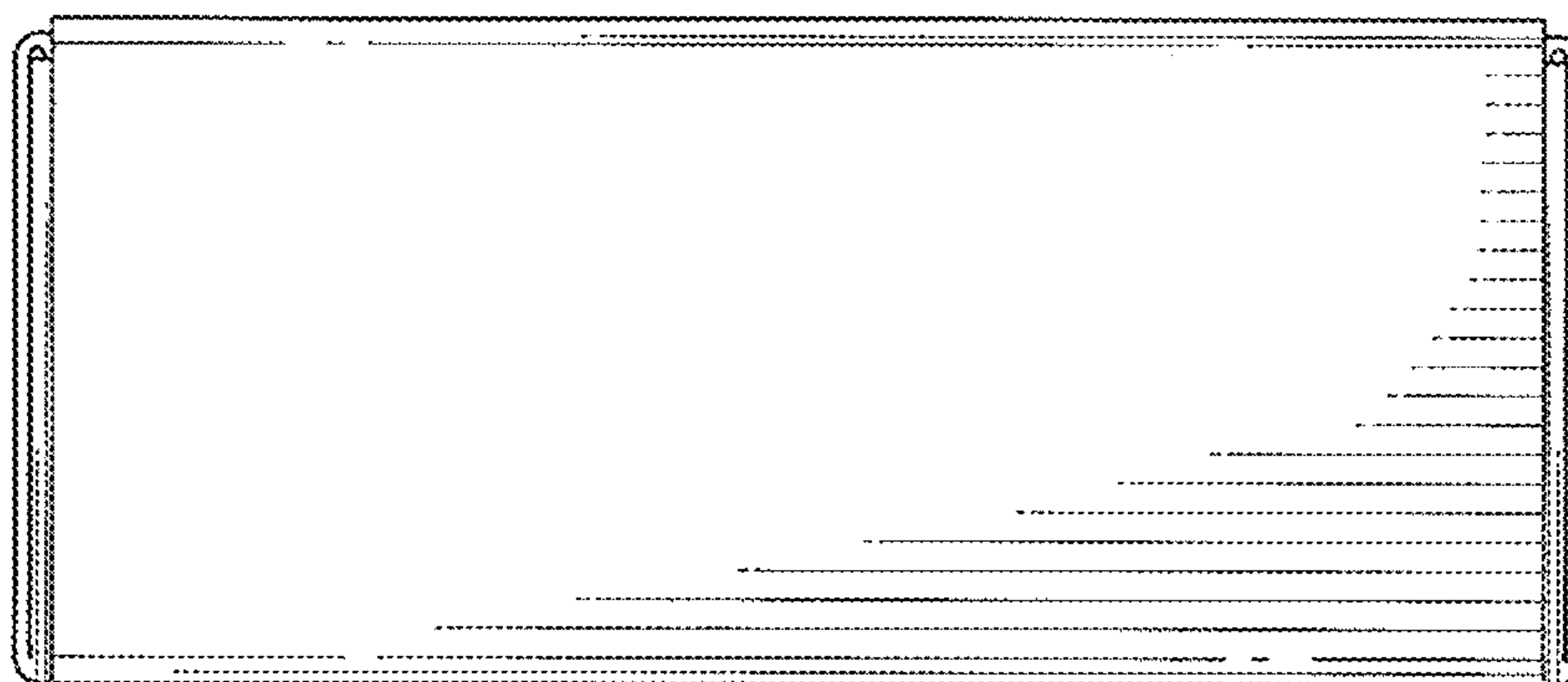


FIG. 9

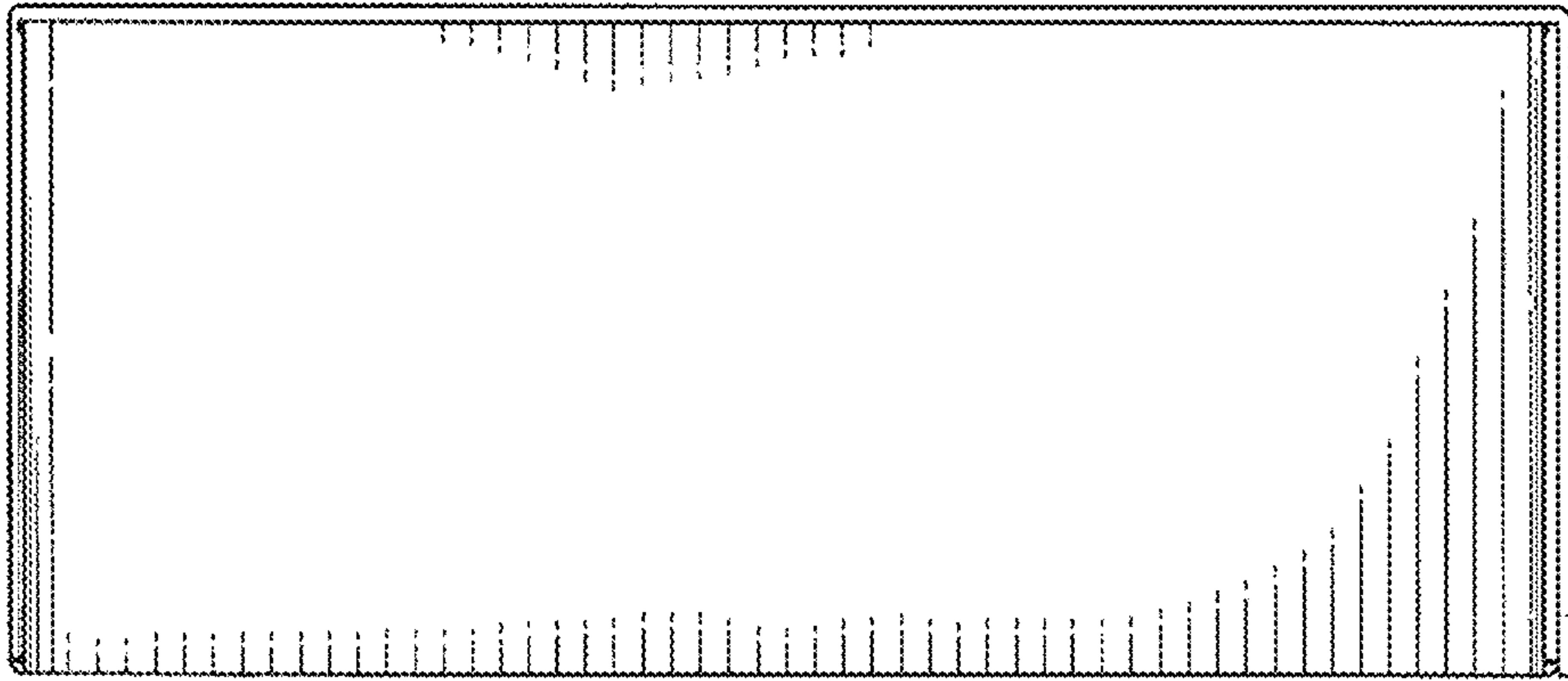


FIG. 10

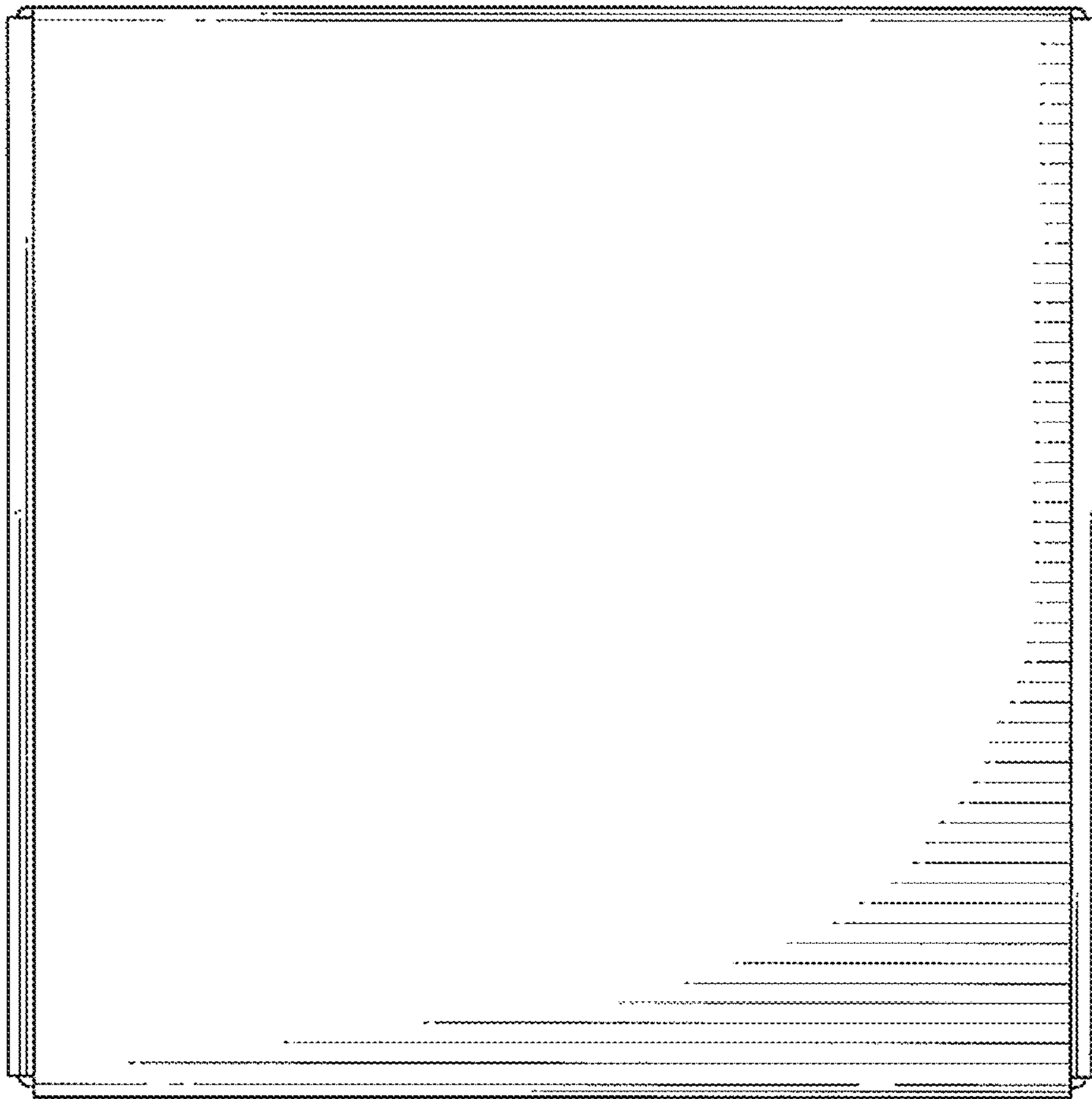


FIG. 11

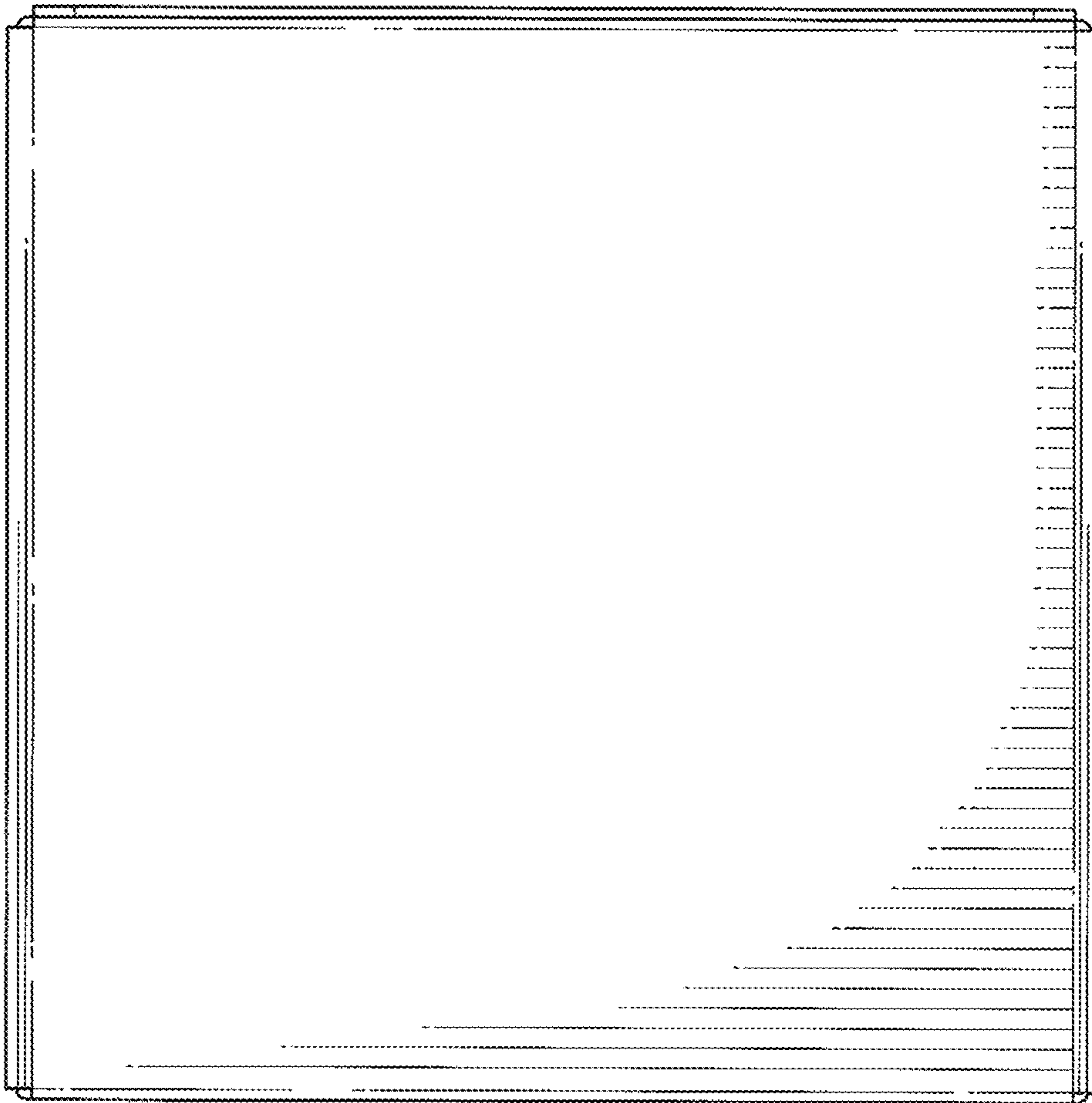


FIG. 12