



US00D815333S

(12) **United States Design Patent**
Santoro et al.

(10) **Patent No.:** **US D815,333 S**
(45) **Date of Patent:** **** Apr. 10, 2018**

- (54) **SUSPENDED LUMINAIRE**
- (71) Applicant: **Fluxwerx Illumination Inc.**, Surrey (CA)
- (72) Inventors: **Scott Santoro**, Delta (CA); **Julien Mainguy**, Vancouver (CA)
- (73) Assignee: **Fluxwerx Illumination Inc.**, Surrey (CA)

- 3,745,325 A * 7/1973 Harvey F21V 7/08 359/359
- 4,669,033 A * 5/1987 Lee F21S 8/00 362/217.07
- D294,067 S * 2/1988 Ambasz D26/76
- D480,830 S * 10/2003 Sieczkowski D26/118
- D499,834 S * 12/2004 Yu D26/118
- D558,379 S * 12/2007 Citterio D26/76
- D605,329 S * 12/2009 Watt D26/118
- D617,935 S * 6/2010 Miletich D26/76

(Continued)

(**) Term: **15 Years**

OTHER PUBLICATIONS

(21) Appl. No.: **29/615,616**

Fold by Fluxwerx—online brochure © 2016 found at fluxwerx.com, visited May 16, 2017. (7 pages). (Year: 2016).*

(22) Filed: **Aug. 30, 2017**

Primary Examiner — Clare E Heflin

(51) **LOC (11) Cl.** **26-03**

(74) *Attorney, Agent, or Firm* — Oyen Wiggs Green & Mutala LLP

(52) **U.S. Cl.**

USPC **D26/90**; D26/118

(58) **Field of Classification Search**

USPC D26/68, 72, 76, 90, 118
 CPC ... F21V 5/008; F21V 5/02; F21V 7/04; F21V 7/041; F21V 7/043; F21V 7/045; F21V 7/046; F21V 7/048; F21V 7/05; F21V 7/06; F21V 7/07; F21V 7/08; F21V 7/09; F21S 8/04; F21S 8/06; F21S 8/061; F21S 8/063; F21S 8/068

See application file for complete search history.

(57) **CLAIM**

The ornamental design for a suspended luminaire, as shown and described.

DESCRIPTION

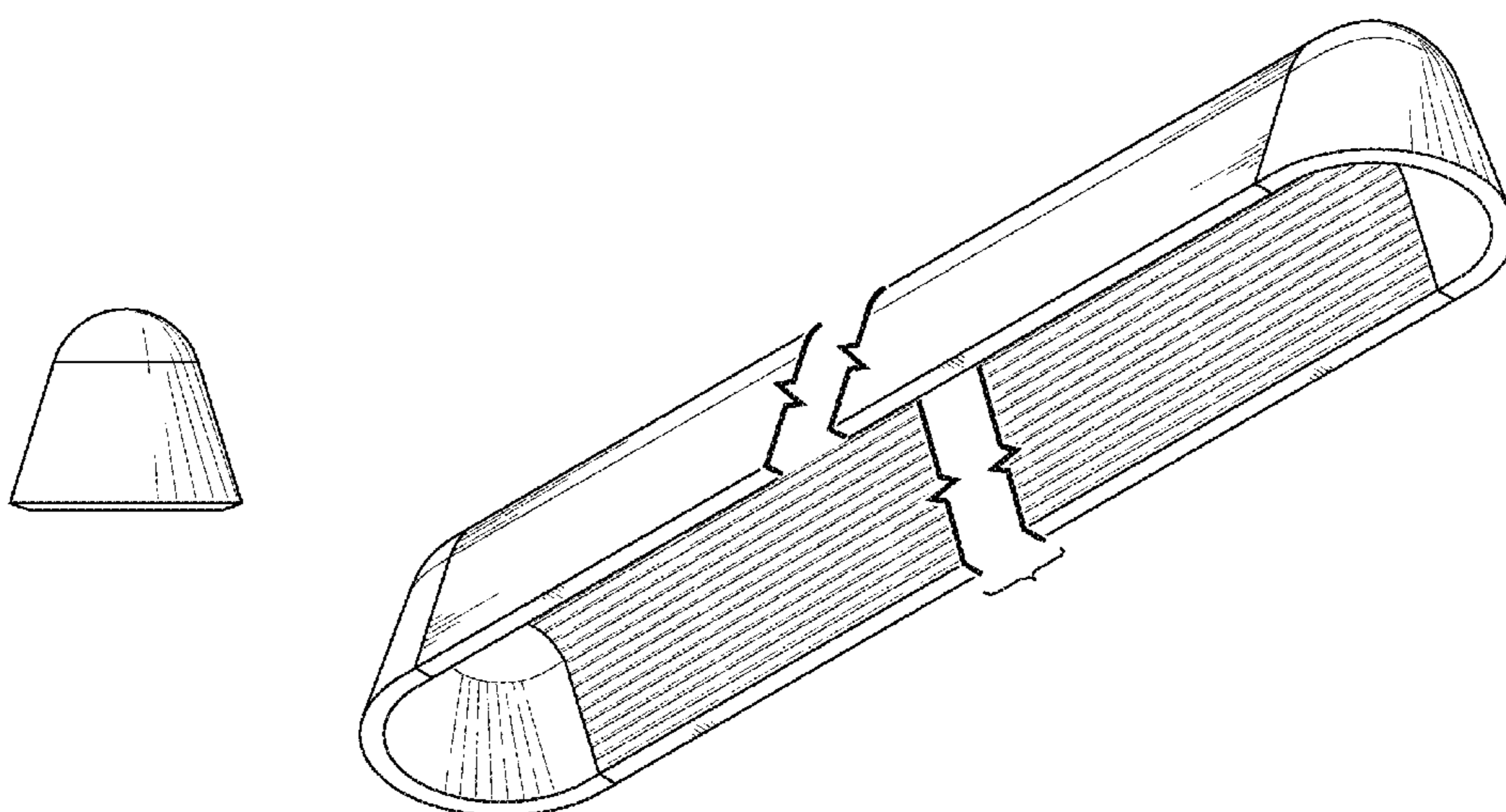
FIG. 1 is a top view of the suspended luminaire showing our new design;
 FIG. 2 is a left side view thereof, the right side view being a mirror image;
 FIG. 3 is a front view thereof, the rear view being a mirror image;
 FIG. 4 is a bottom view thereof; and,
 FIG. 5 is a bottom, front, right perspective view thereof, the bottom, front, left perspective view being a mirror image.
 The broken lines shown in FIG. 1 depict portions of the suspended luminaire that form no part of the claimed design. The suspended luminaire is shown with symbolic break lines along its width. The appearance of any portion of the article between the break lines forms no part of the claimed design.

(56) **References Cited**

U.S. PATENT DOCUMENTS

- D110,198 S * 6/1938 Stewart D26/76
- 2,269,182 A * 1/1942 Claspy F21V 17/00 362/361
- 2,277,433 A * 3/1942 Guth F21V 5/02 362/356
- D141,068 S * 5/1945 Maurette D26/76
- D180,537 S * 6/1957 Stevens D26/76
- 3,009,054 A * 11/1961 Thomas F21S 8/06 362/223

1 Claim, 2 Drawing Sheets



(56)

References Cited

U.S. PATENT DOCUMENTS

D641,910	S *	7/2011	Kong	D26/76
D646,426	S *	10/2011	Wolk	D26/85
D654,208	S *	2/2012	Marquardt	D26/85
D664,282	S *	7/2012	Santoro	D26/76
D695,445	S *	12/2013	Panchisin	D26/118
D731,700	S *	6/2015	Santoro	D26/118
D738,563	S *	9/2015	Martins	D26/118
D740,479	S *	10/2015	Beno	D26/118
D774,682	S *	12/2016	Chen	D26/85
2005/0157498	A1 *	7/2005	Dicken	E04B 9/32 362/277
2007/0194874	A1 *	8/2007	Bowman	H01F 27/02 336/120
2016/0091169	A1 *	3/2016	Sun	F21V 17/104 362/346

* cited by examiner

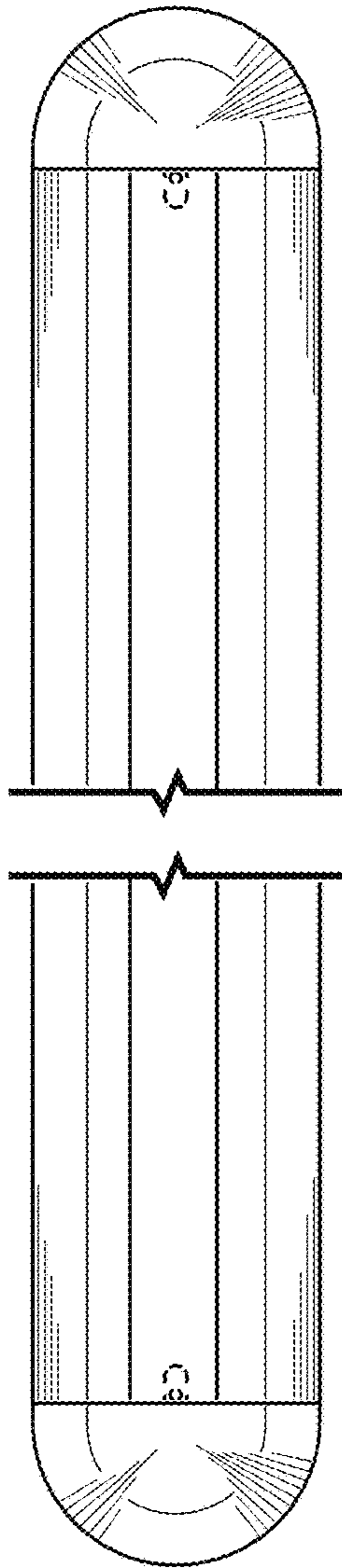


Fig. 1

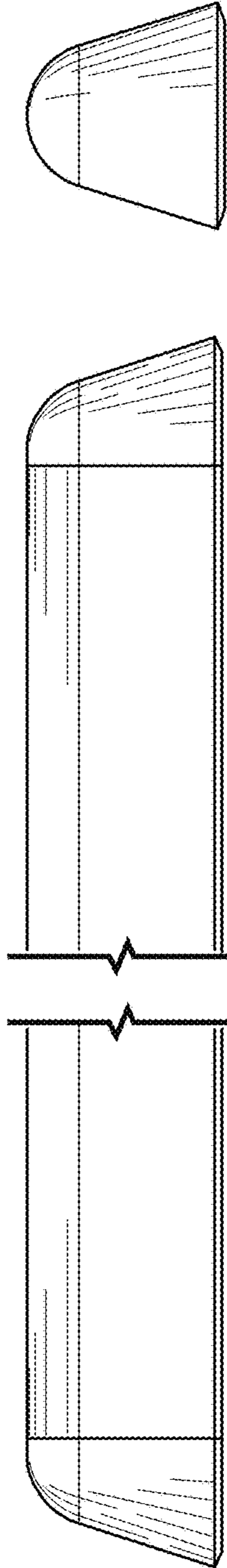


Fig. 2

Fig. 3

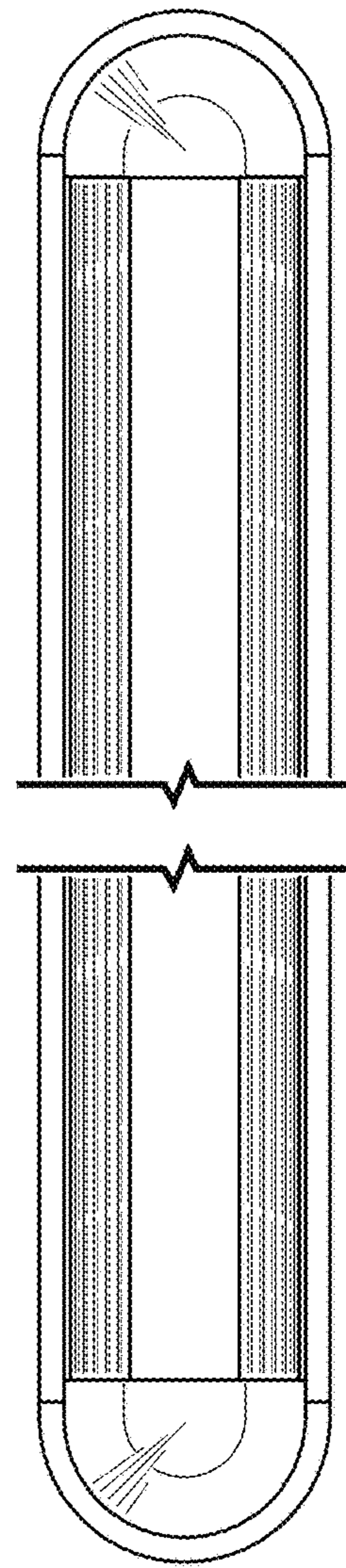
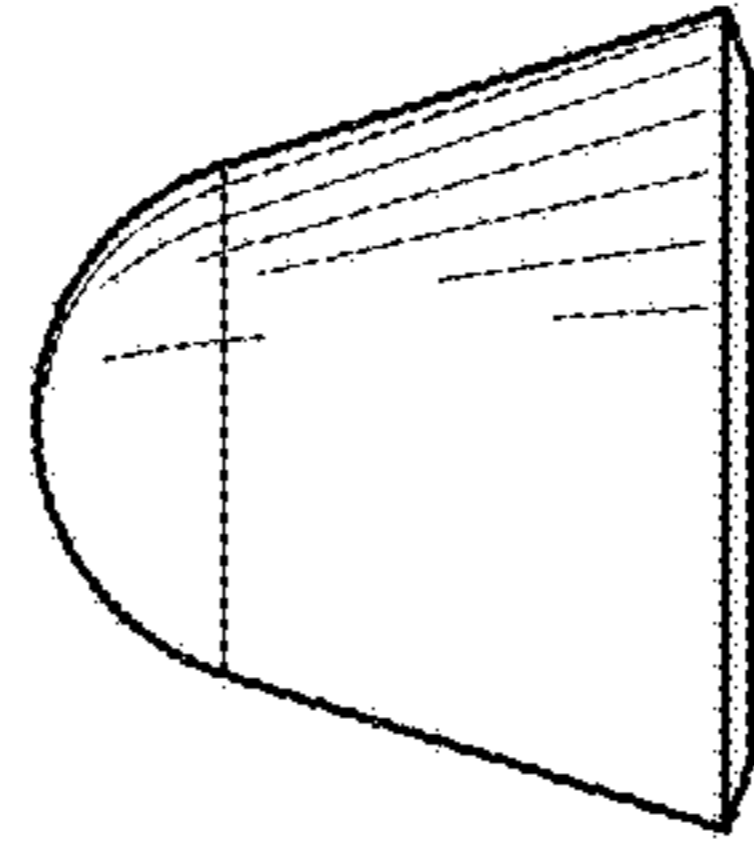


Fig. 4



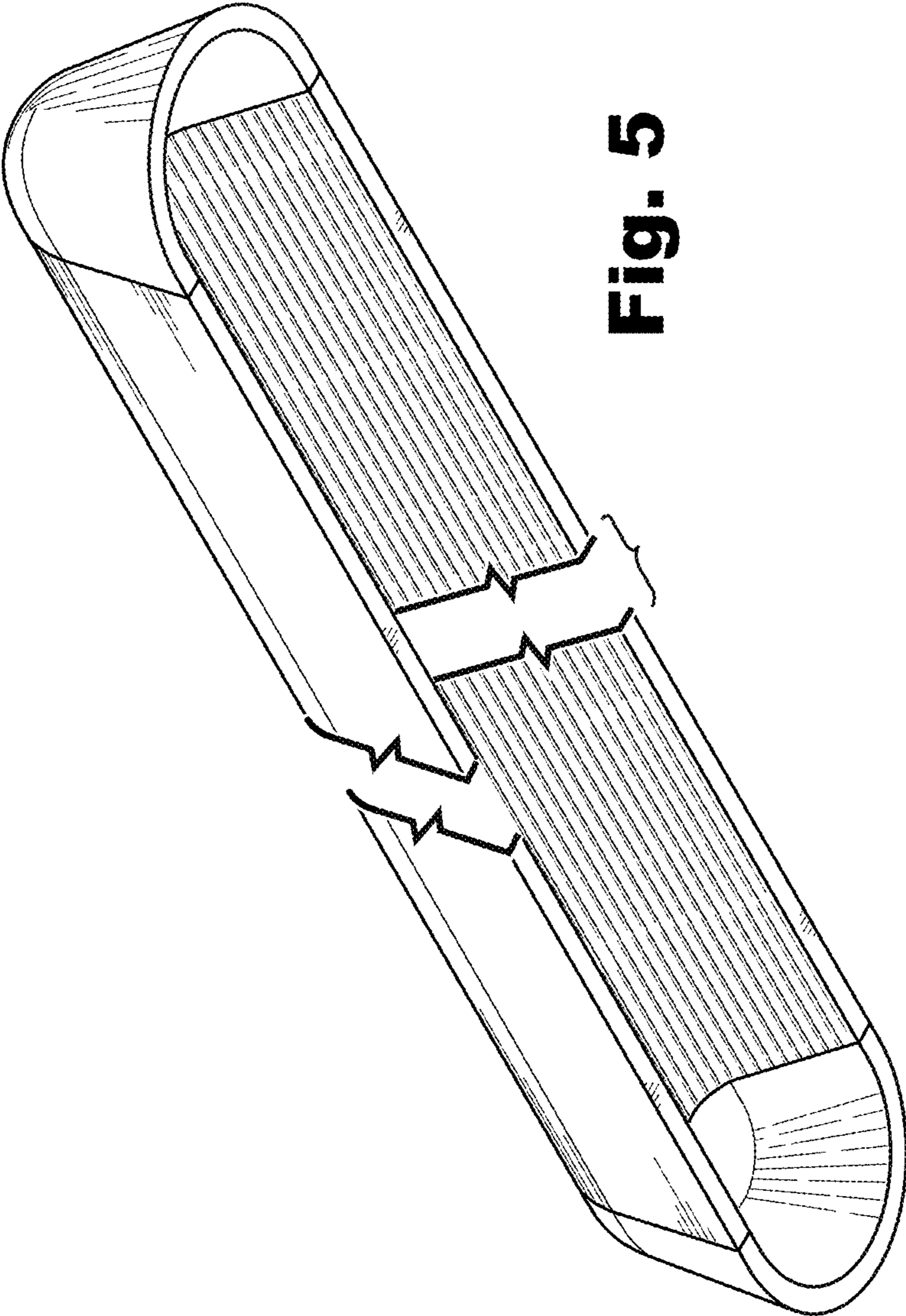


Fig. 5

UNITED STATES PATENT AND TRADEMARK OFFICE
CERTIFICATE OF CORRECTION

PATENT NO. : D815,333 S
APPLICATION NO. : 29/615616
DATED : April 10, 2018
INVENTOR(S) : Scott Santoro and Julien Mainguy

Page 1 of 1

It is certified that error appears in the above-identified patent and that said Letters Patent is hereby corrected as shown below:

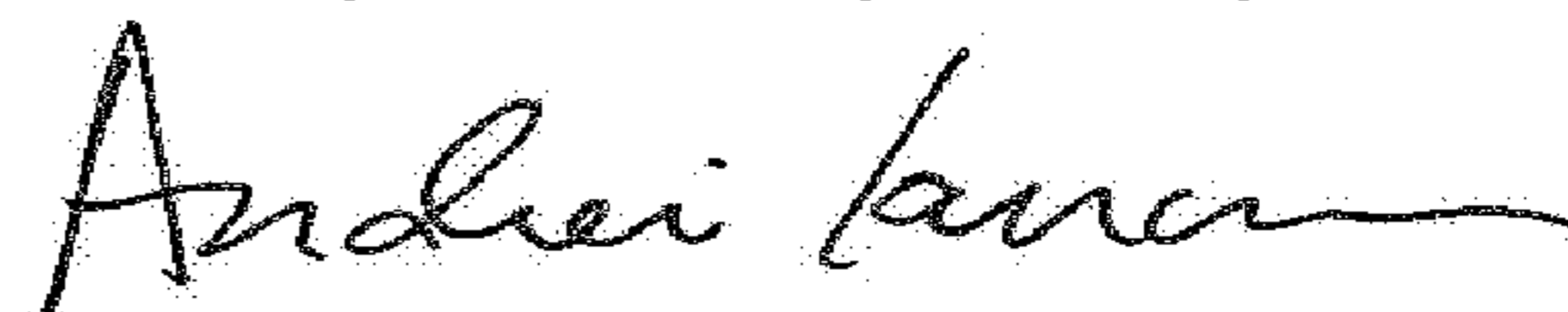
On the Title Page

Item (62) should read as follows:

Related U.S. Application Data

(62) Division of application No. 29/552,993 filed on Jan. 27, 2016.

Signed and Sealed this
Twenty-ninth Day of May, 2018



Andrei Iancu
Director of the United States Patent and Trademark Office