



US00D815332S

(12) **United States Design Patent**  
**Santoro et al.**

(10) **Patent No.:** **US D815,332 S**  
(45) **Date of Patent:** **\*\* Apr. 10, 2018**

- (54) **SUSPENDED LUMINAIRE**
- (71) Applicant: **Fluxwerx Illumination Inc.**, Surrey (CA)
- (72) Inventors: **Scott Santoro**, Delta (CA); **Julien Mainguy**, Vancouver (CA)
- (73) Assignee: **Fluxwerx Illumination Inc.**, Surrey (CA)

- D180,537 S \* 6/1957 Stevens ..... D26/76
  - 3,009,054 A \* 11/1961 Thomas ..... F21S 8/06  
362/223
  - 3,745,325 A \* 7/1973 Harvey ..... F21V 7/08  
359/359
  - 4,669,033 A \* 5/1987 Lee ..... F21S 8/00  
362/217.07
  - D294,067 S \* 2/1988 Ambasz ..... D26/76
- (Continued)

- (\*\*) Term: **15 Years**
- (21) Appl. No.: **29/615,607**
- (22) Filed: **Aug. 30, 2017**

**Related U.S. Application Data**

- (62) Division of application No. 29/552,993, filed on Jan. 27, 2016.
  - (51) **LOC (11) Cl.** ..... **26-03**
  - (52) **U.S. Cl.**  
USPC ..... **D26/90; D26/118**
  - (58) **Field of Classification Search**  
USPC ..... D26/68, 72, 76, 90, 118  
CPC ... F21V 5/008; F21V 5/02; F21V 7/04; F21V 7/041; F21V 7/043; F21V 7/045; F21V 7/046; F21V 7/048; F21V 7/05; F21V 7/06; F21V 7/07; F21V 7/08; F21V 7/09; F21S 8/04; F21S 8/06; F21S 8/061; F21S 8/063; F21S 8/068
- See application file for complete search history.

(56) **References Cited**

**U.S. PATENT DOCUMENTS**

- D110,198 S \* 6/1938 Stewart ..... D26/76
- 2,269,182 A \* 1/1942 Claspy ..... F21V 17/00  
362/361
- 2,277,433 A \* 3/1942 Guth ..... F21V 5/02  
362/356
- D141,068 S \* 5/1945 Maurette ..... D26/76

**OTHER PUBLICATIONS**

FOLD by Fluxwerx—online brochure © 2016 found at fluxwerx.com, visited May 16, 2017. (7 pages). (Year: 2016).\*

*Primary Examiner* — Clare E Heflin  
(74) *Attorney, Agent, or Firm* — Oyen Wiggs Green & Mutala LLP

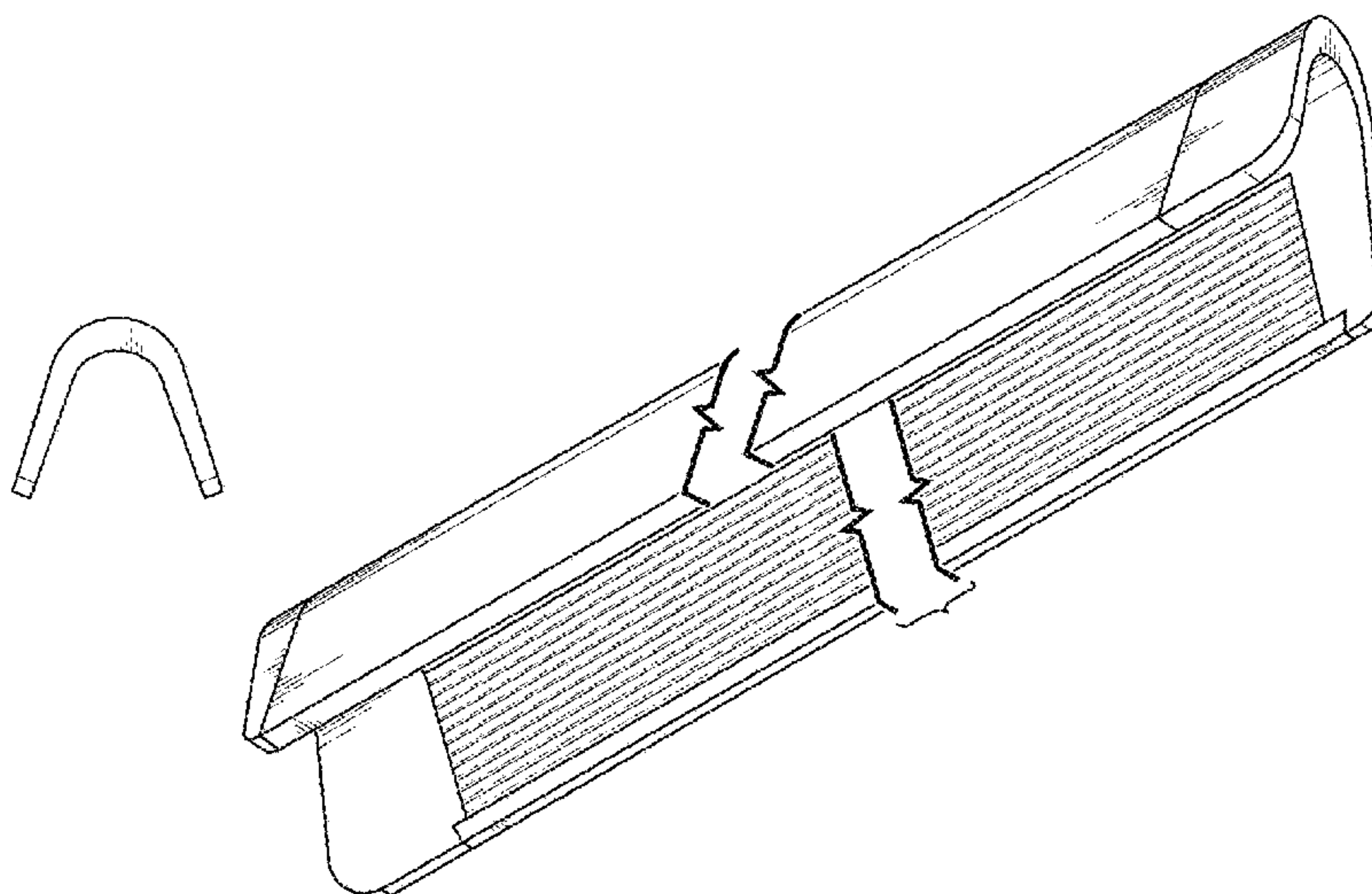
(57) **CLAIM**

The ornamental design for a suspended luminaire, as shown and described.

**DESCRIPTION**

FIG. 1 is a top view of the suspended luminaire showing our new design;  
 FIG. 2 is a left side view thereof, the right side view being a mirror image;  
 FIG. 3 is a front view thereof, the rear view being a mirror image;  
 FIG. 4 is a bottom view thereof; and,  
 FIG. 5 is a bottom, front, right perspective view thereof, the bottom, front, left perspective view being a mirror image.  
 The broken lines shown in FIG. 1 depict portions of the suspended luminaire that form no part of the claimed design. The suspended luminaire is shown with symbolic break lines along its width. The appearance of any portion of the article between the break lines forms no part of the claimed design.

**1 Claim, 2 Drawing Sheets**



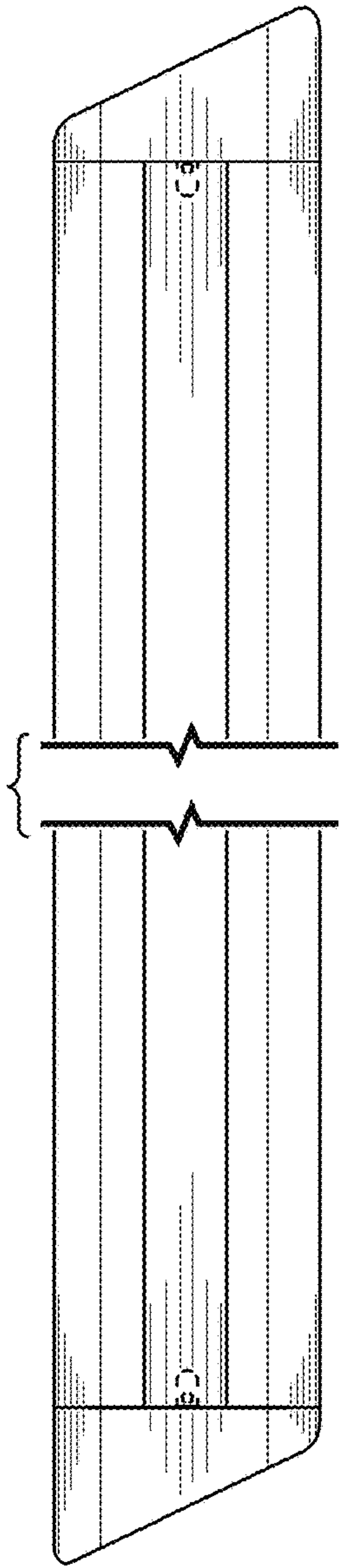
(56)

**References Cited**

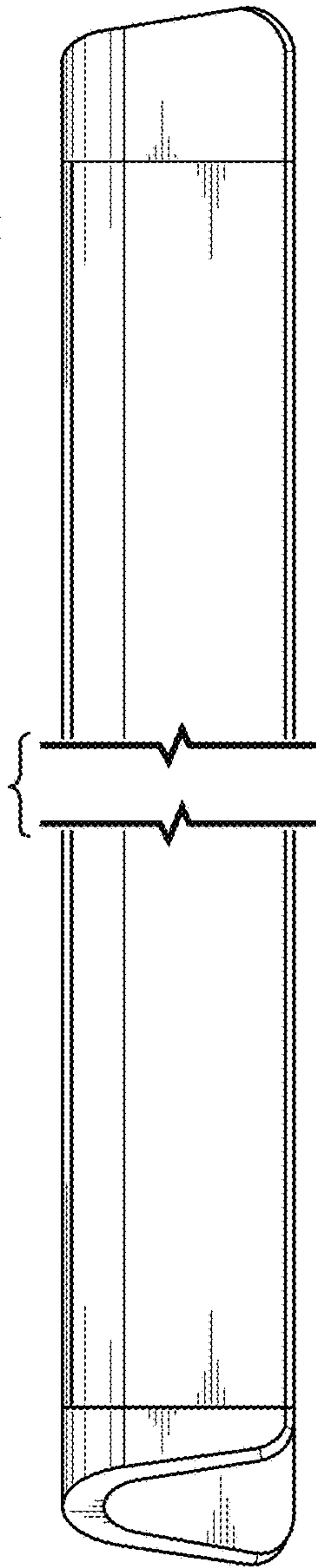
U.S. PATENT DOCUMENTS

D480,830	S *	10/2003	Sieczkowski .....	D26/118
D499,834	S *	12/2004	Yu .....	D26/118
D558,379	S *	12/2007	Citterio .....	D26/76
D605,329	S *	12/2009	Watt .....	D26/118
D617,935	S *	6/2010	Miletich .....	D26/76
D641,910	S *	7/2011	Kong .....	D26/76
D646,426	S *	10/2011	Wolk .....	D26/85
D654,208	S *	2/2012	Marquardt .....	D26/85
D664,282	S *	7/2012	Santoro .....	D26/76
D695,445	S *	12/2013	Panchisin .....	D26/118
D731,700	S *	6/2015	Santoro .....	D26/118
D738,563	S *	9/2015	Martins .....	D26/118
D740,479	S *	10/2015	Beno .....	D26/118
D774,682	S *	12/2016	Chen .....	D26/85
2005/0157498	A1 *	7/2005	Dicken .....	E04B 9/32 362/277
2007/0194874	A1 *	8/2007	Bowman .....	H01F 27/02 336/120
2016/0091169	A1 *	3/2016	Sun .....	F21V 17/104 362/346

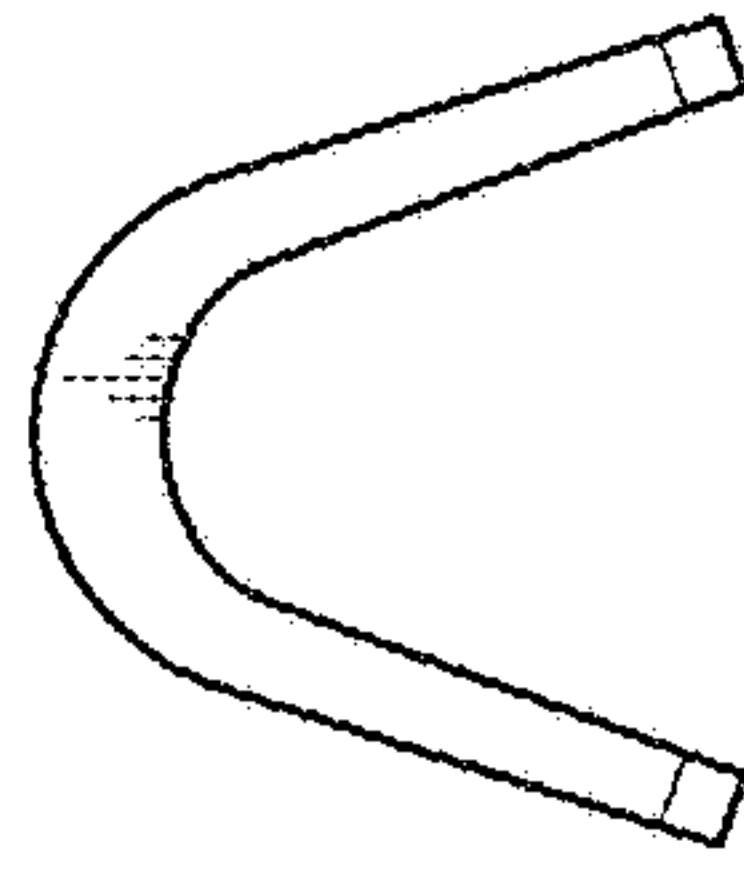
\* cited by examiner



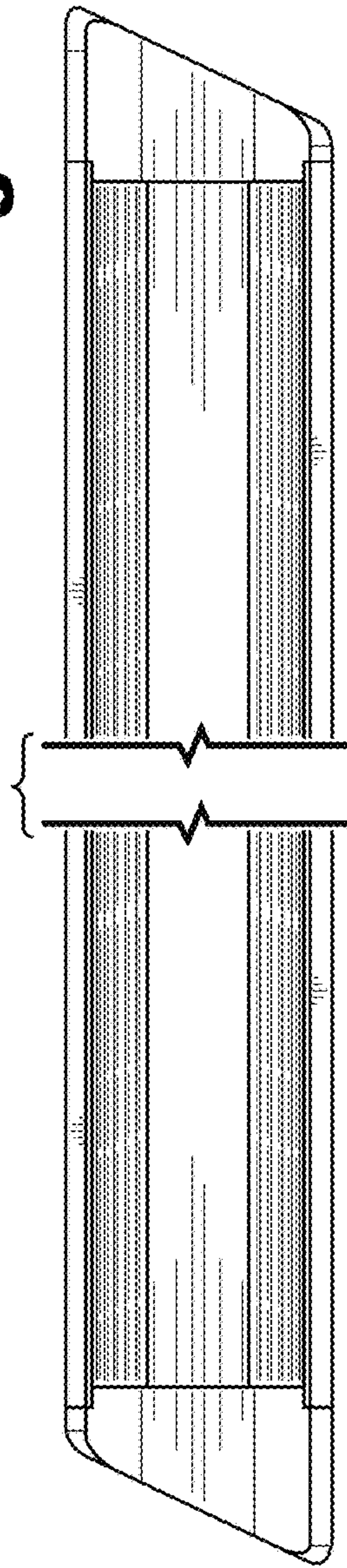
**Fig. 1**



**Fig. 2**

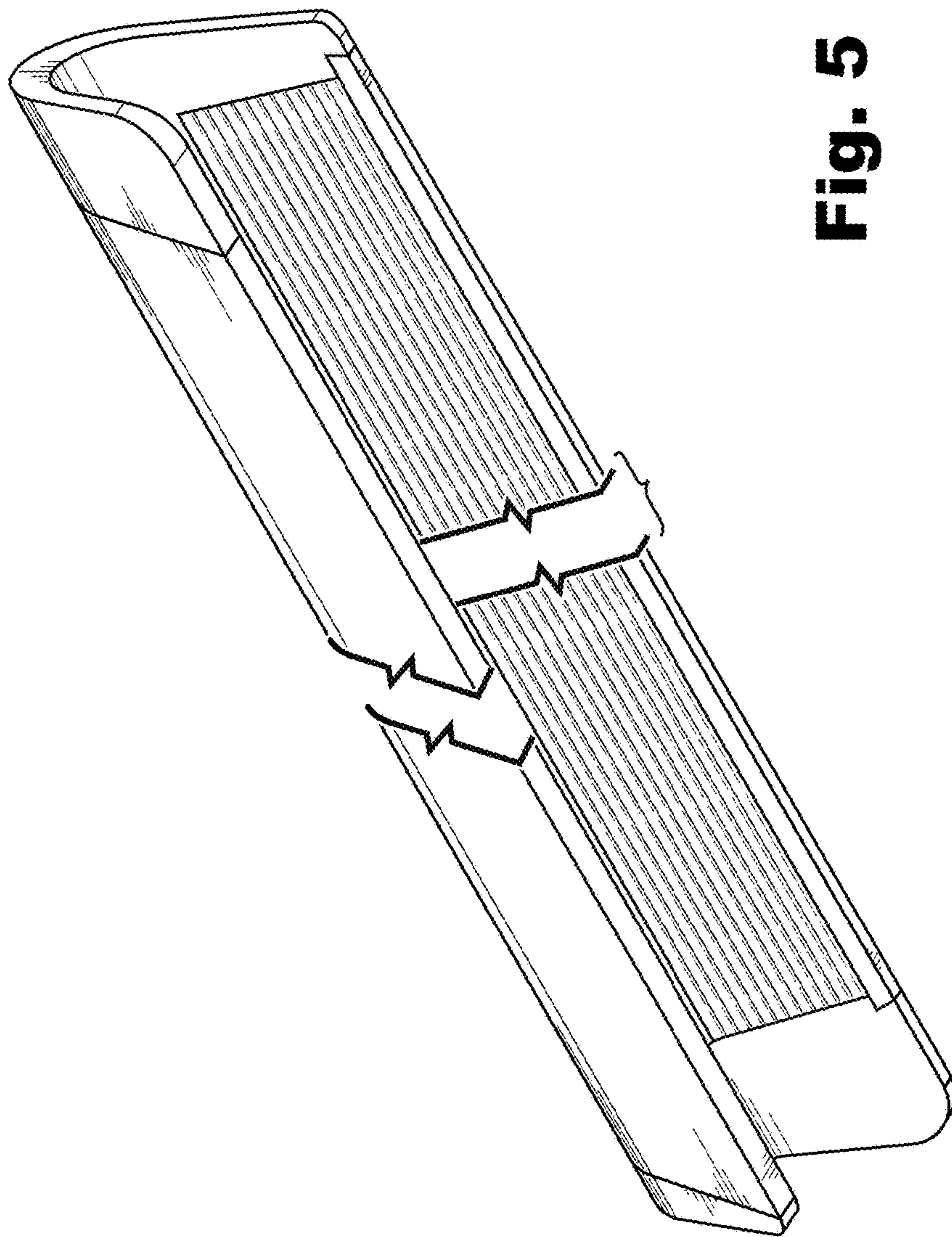


**Fig. 3**



**Fig. 4**





**Fig. 5**