



US00D815331S

(12) **United States Design Patent**
Yang

(10) **Patent No.:** **US D815,331 S**
(45) **Date of Patent:** **** Apr. 10, 2018**

(54) **LED WALL PACK**
(71) Applicant: **Yuyao Splendid Lighting Technology Co., Ltd., Yuyao (CN)**
(72) Inventor: **Zhongbing Yang, Yuyao (CN)**
(73) Assignee: **Yuyao Splendid Lighting Technology Co., Ltd., Yuyao (CN)**

(**) Term: **15 Years**
(21) Appl. No.: **29/580,813**

(22) Filed: **Oct. 13, 2016**

(30) **Foreign Application Priority Data**

Aug. 29, 2016 (CN) 2016 3 0439339

(51) **LOC (11) Cl.** **26-03**

(52) **U.S. Cl.**
USPC **D26/85**

(58) **Field of Classification Search**
USPC D26/67, 72, 85, 87, 92; D10/106.6,
D10/106.8
CPC F21S 8/03; F21S 8/033; F21S 8/036; F21S
8/037; F21S 9/022; F21S 9/024; F21S
9/03; F21S 9/035; F21S 9/037; F21W
2131/107

See application file for complete search history.

(56) **References Cited**

U.S. PATENT DOCUMENTS

D236,647 S * 9/1975 Stewart D26/85
D272,193 S * 1/1984 Sangiamo D26/85

D283,555 S * 4/1986 Levi D26/85
4,939,359 A * 7/1990 Freeman G01V 8/10
250/221
D336,964 S * 6/1993 Janssen D26/28
D440,683 S * 4/2001 Guercio D26/85
D583,977 S * 12/2008 Guercio D26/85
2014/0177228 A1* 6/2014 Ellingson F21V 29/004
362/294
2014/0293612 A1* 10/2014 Tsao F21V 29/74
362/297
2015/0167936 A1* 6/2015 Yong F21V 29/83
362/190
2016/0312989 A1* 10/2016 Tiwary F21V 21/30

* cited by examiner

Primary Examiner — Clare E Heflin

(74) *Attorney, Agent, or Firm* — Wayne & King LLC

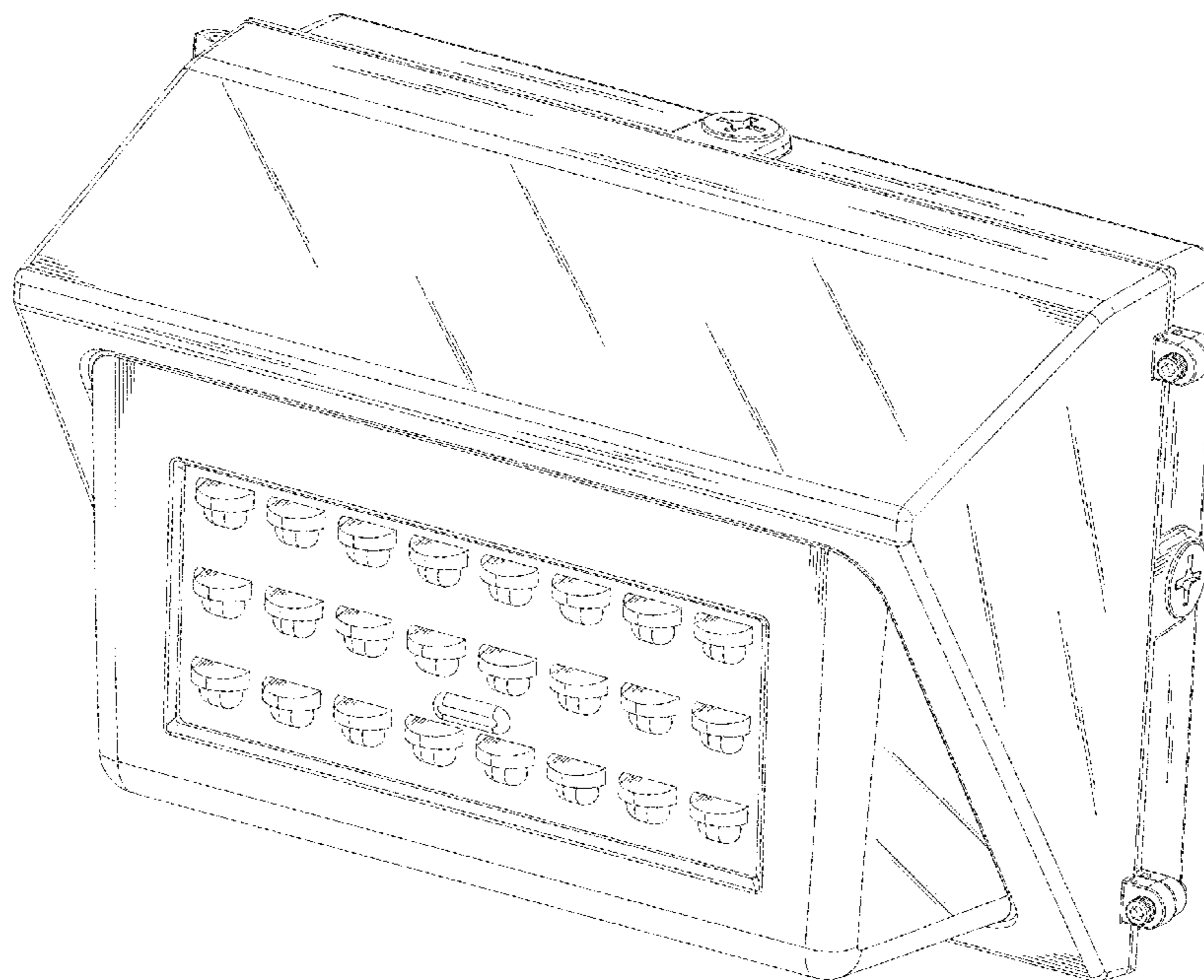
(57) **CLAIM**

The ornamental design for LED wall pack, as shown and described.

DESCRIPTION

FIG. 1 is perspective view showing my design;
FIG. 2 is another perspective view showing my design;
FIG. 3 is a front view showing my design;
FIG. 4 is a back view showing my design;
FIG. 5 is a left side view showing my design;
FIG. 6 is a right side view showing my design;
FIG. 7 is a top plan view showing my design; and,
FIG. 8 is a bottom plan view showing my design.

1 Claim, 8 Drawing Sheets



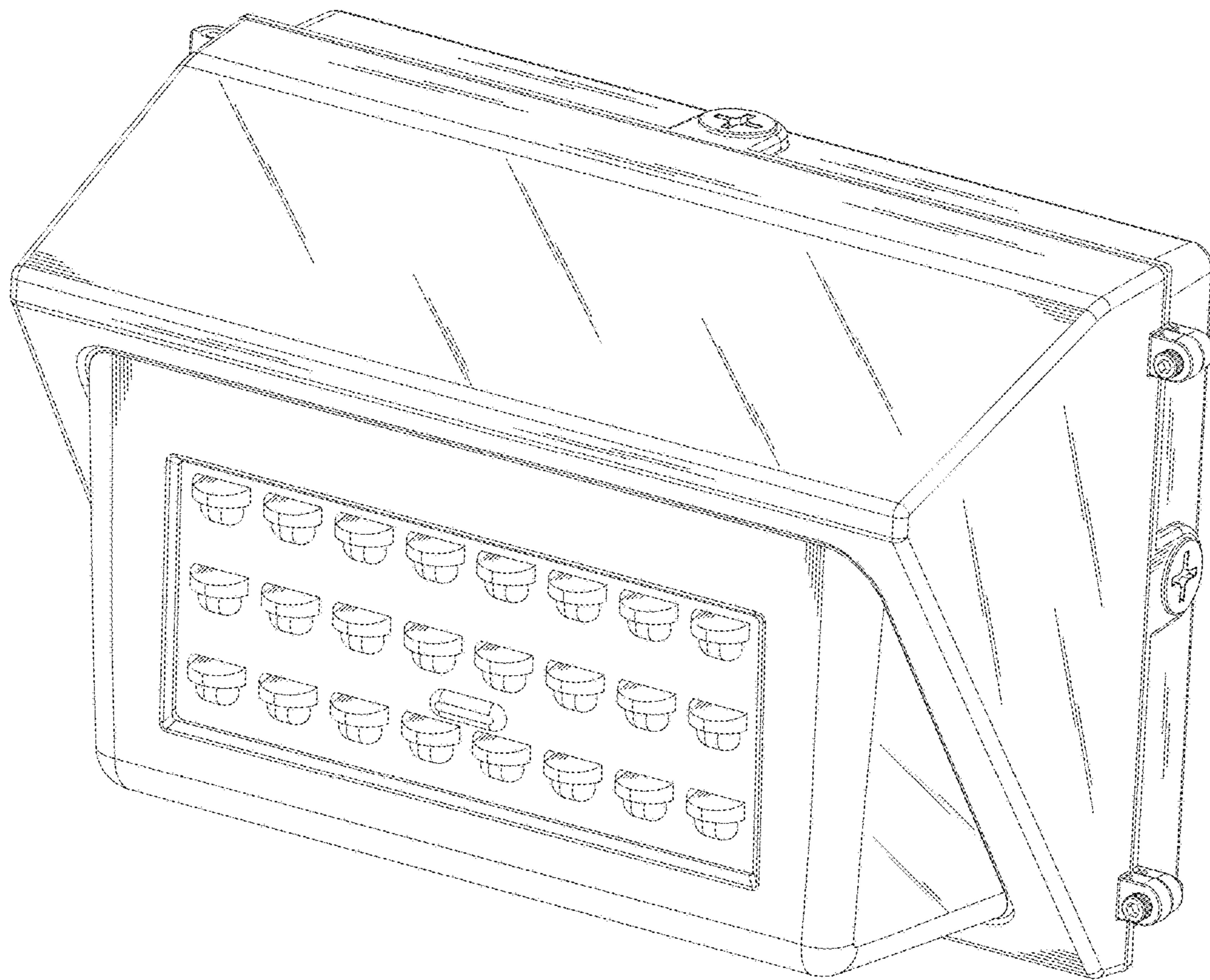


FIG. 1

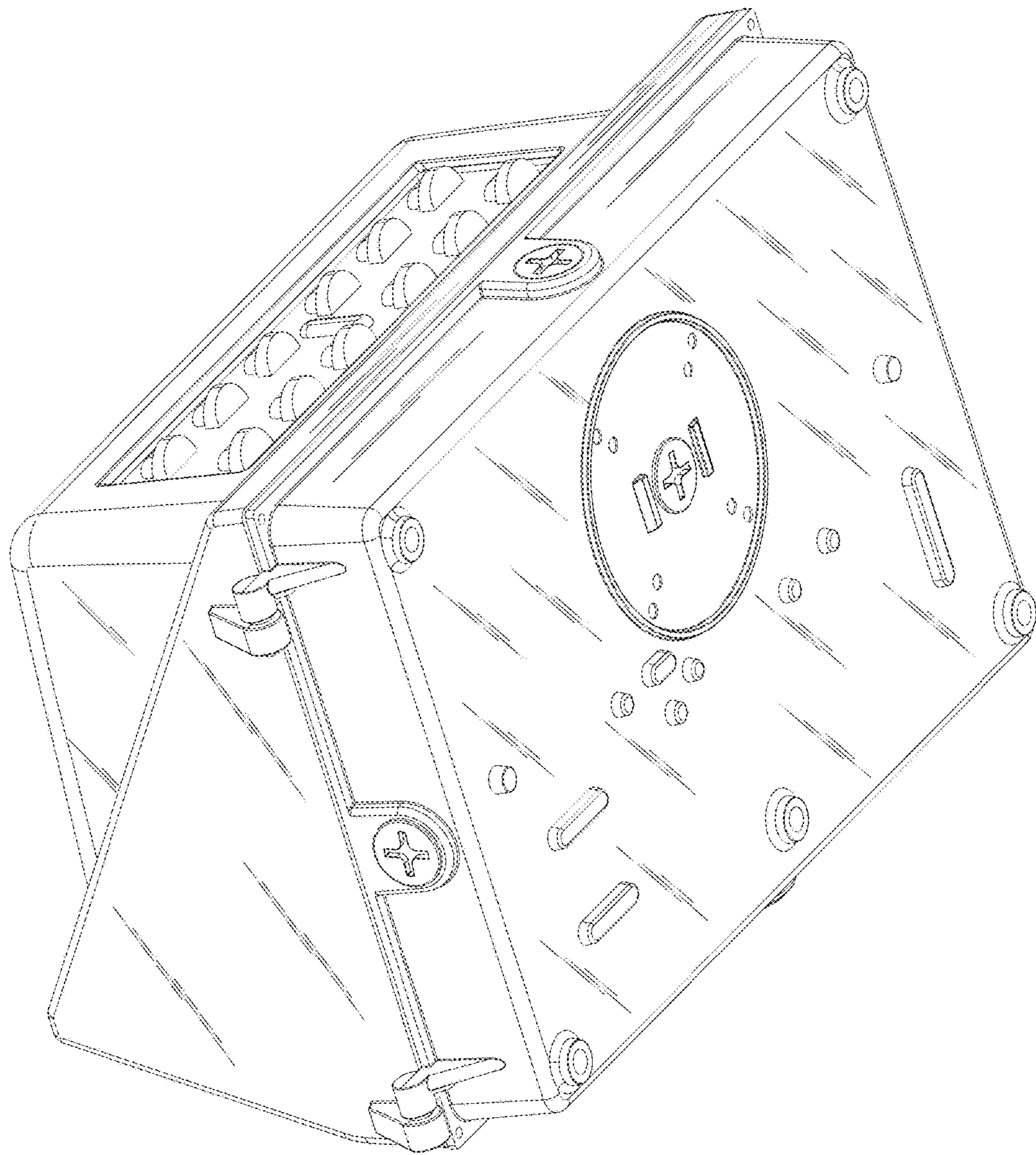


FIG. 2

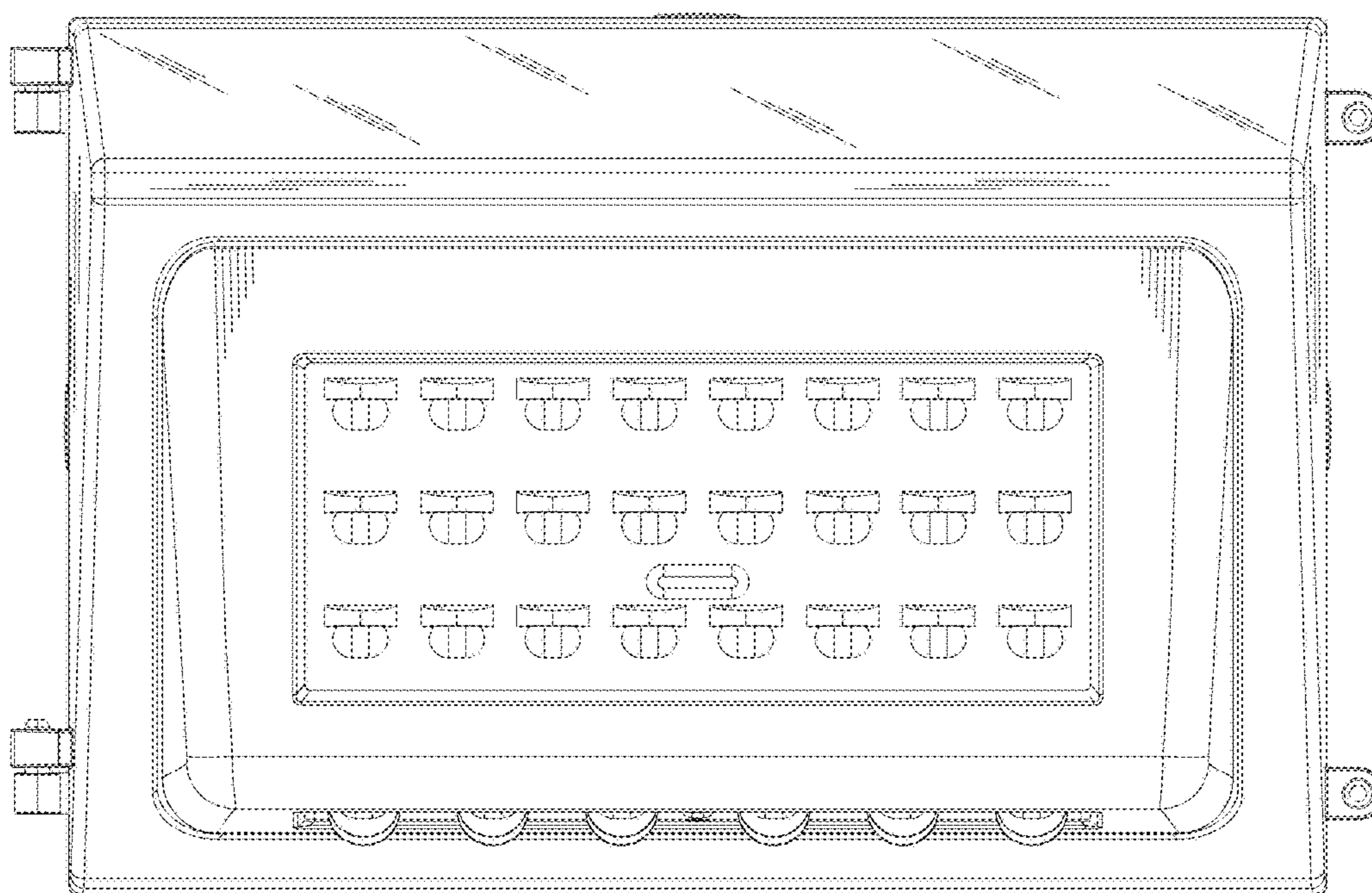


FIG. 3

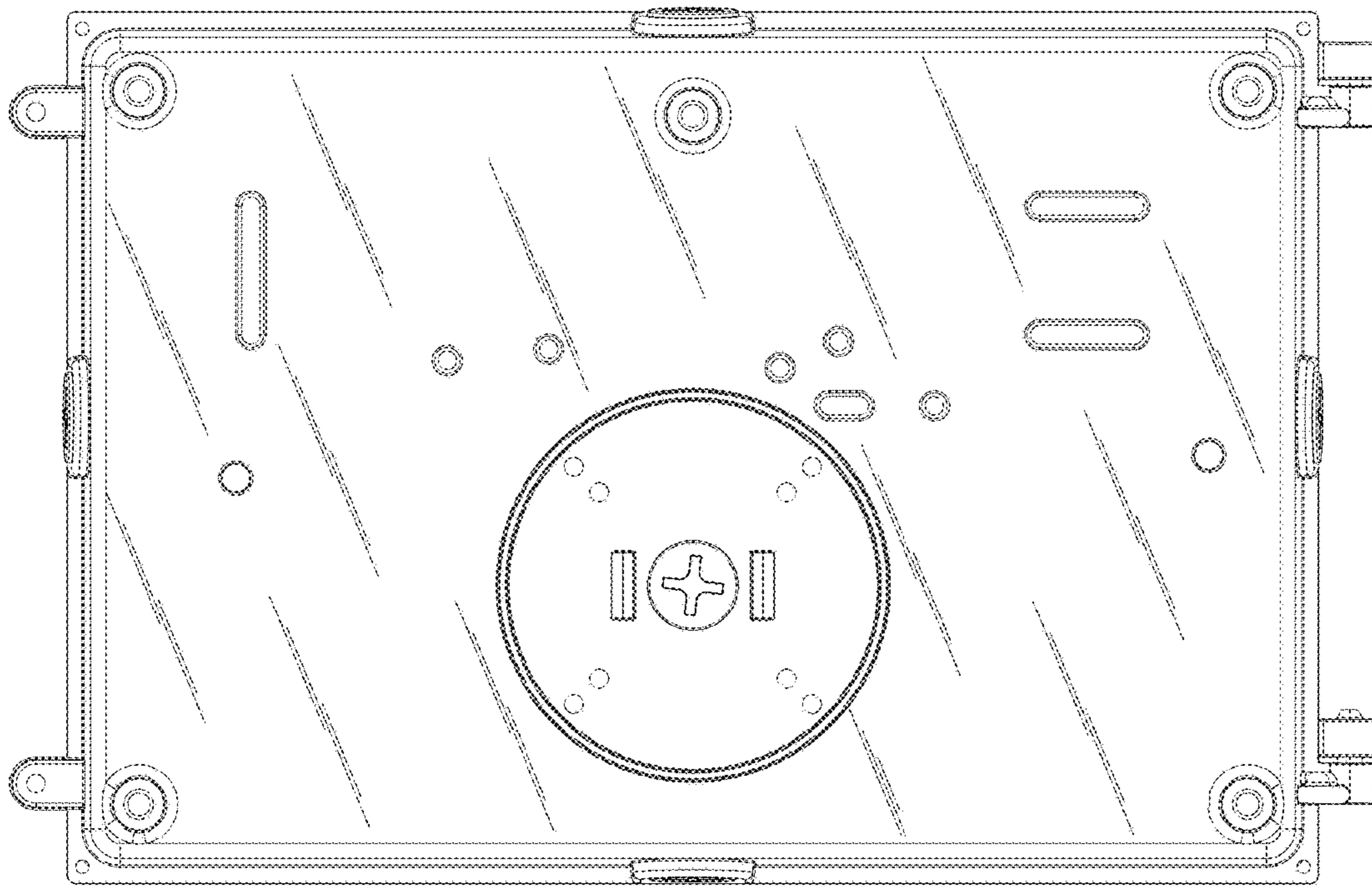


FIG. 4

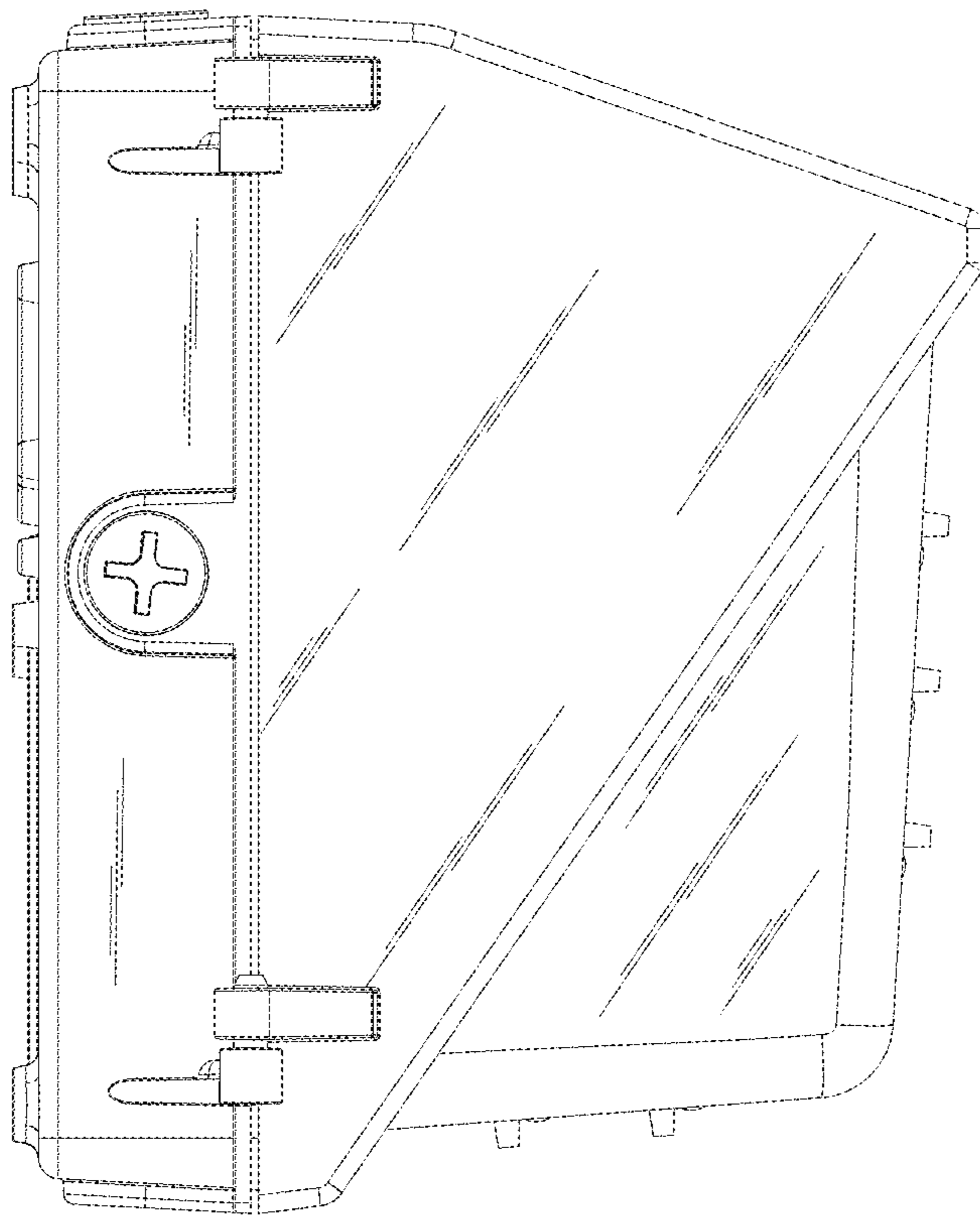


FIG. 5

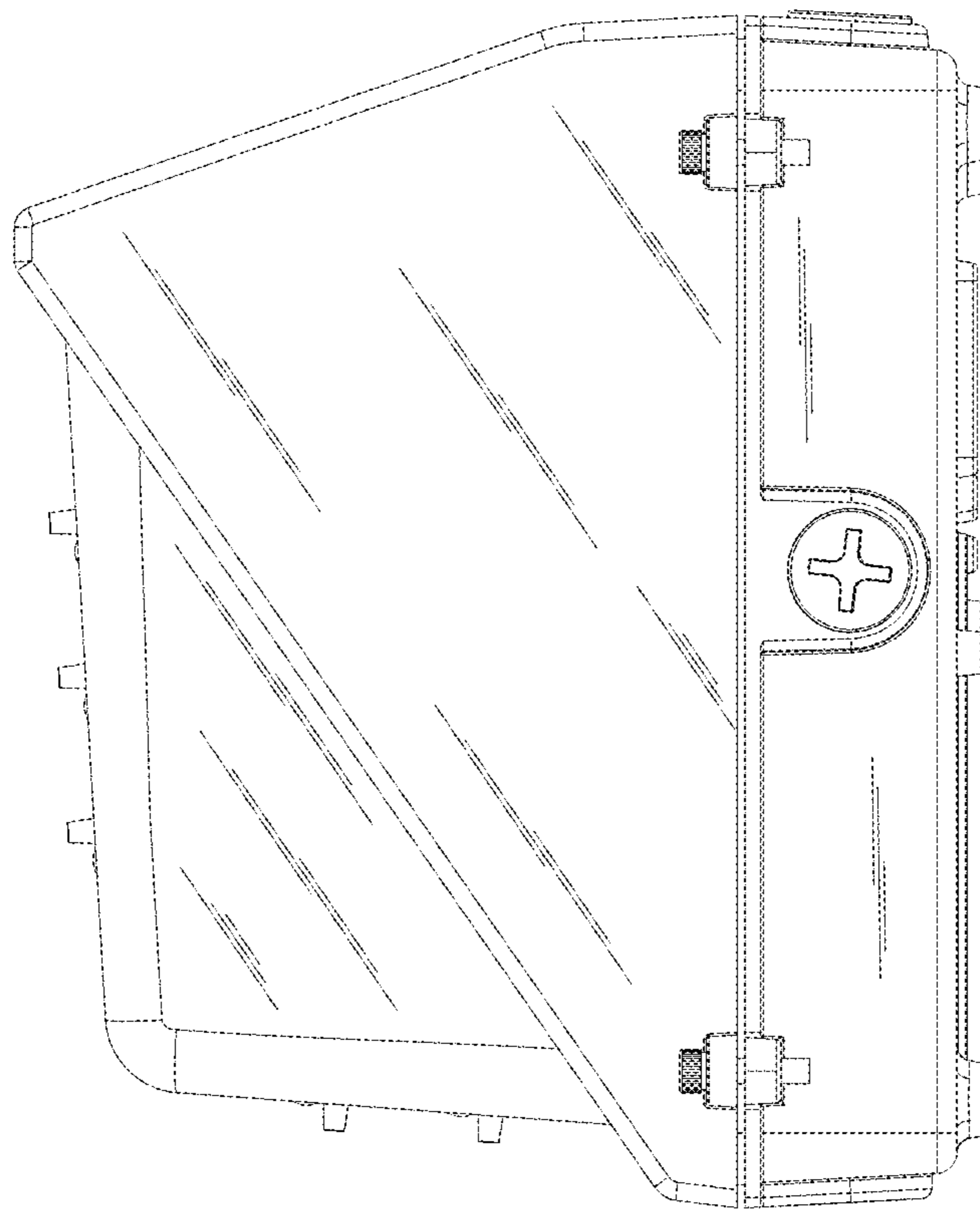


FIG. 6

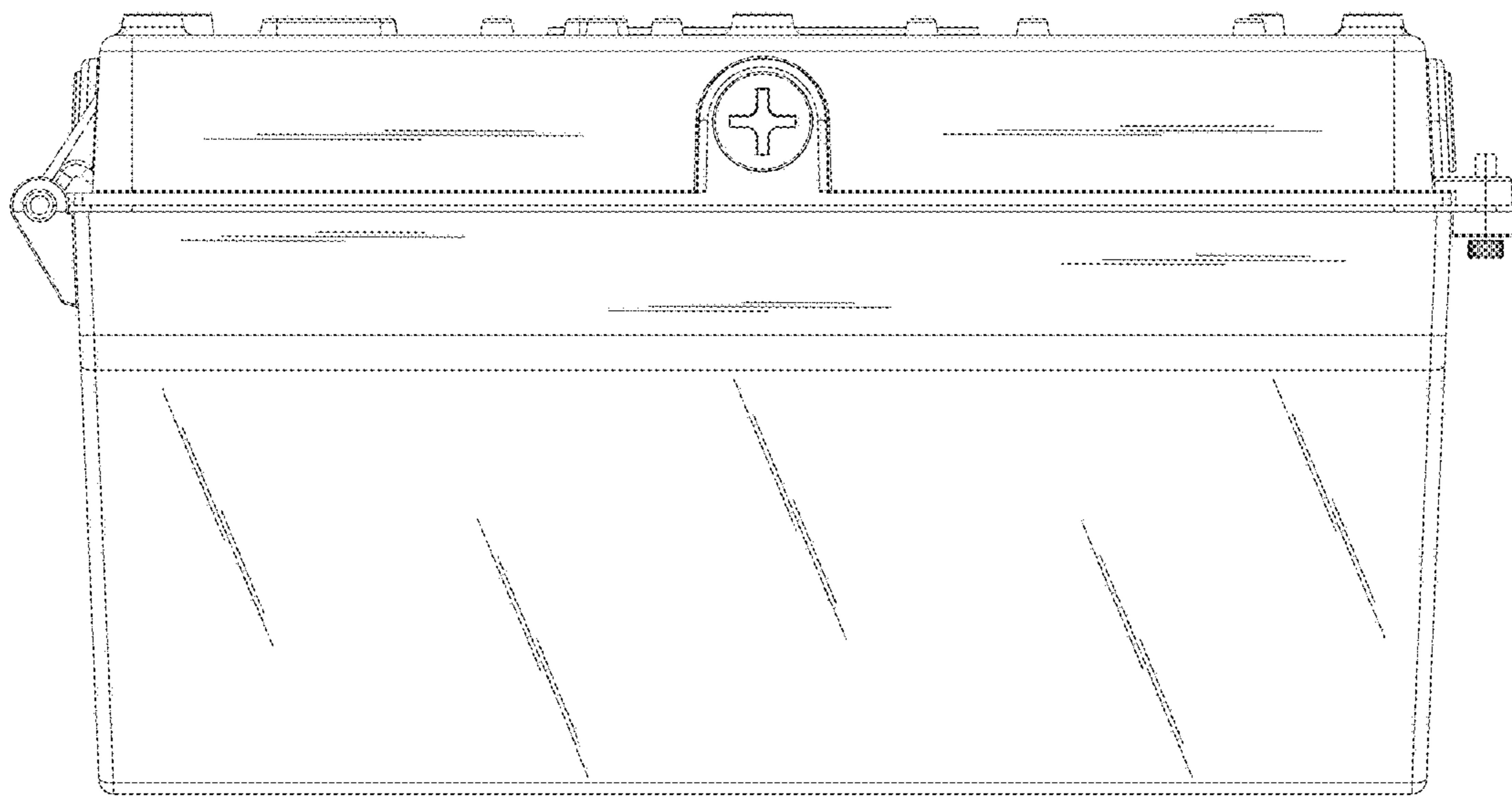


FIG. 7

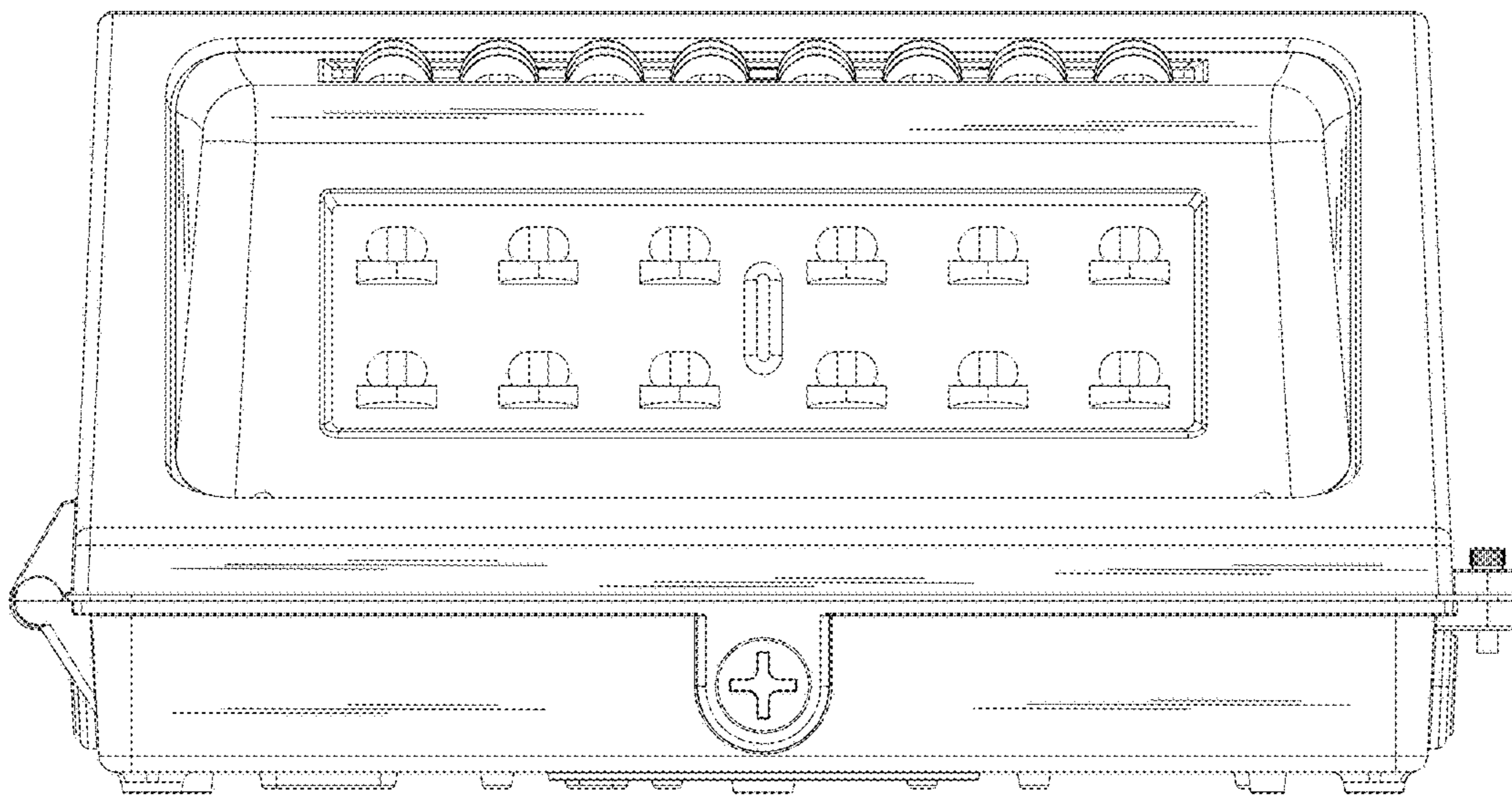


FIG. 8