



US00D815328S

(12) **United States Design Patent**
Ladnier et al.

(10) **Patent No.:** **US D815,328 S**
(45) **Date of Patent:** **** Apr. 10, 2018**

(54) **PEDESTAL LIGHT ASSEMBLY**

(71) Applicant: **DELTA T CORPORATION**,
Lexington, KY (US)

(72) Inventors: **David Matthew Ladnier**, Versailles,
KY (US); **Brian Michael Langness**,
Shelbyville, KY (US); **Matthew Ryan
King**, Lexington, KY (US); **Scott
David Del Chiaro**, Lexington, KY
(US); **Kevin Lucknavalai**, Lexington,
KY (US); **Huey Shane Hurley**, Gilbert,
SC (US); **Erik Turocy**, Columbus, OH
(US)

(73) Assignee: **DELTA T, LLC**, Lexington, KY (US)

(**) Term: **15 Years**

(21) Appl. No.: **29/582,867**

(22) Filed: **Oct. 31, 2016**

(51) **LOC (11) Cl.** **26-03**

(52) **U.S. Cl.**
USPC **D26/63**

(58) **Field of Classification Search**
USPC D26/1, 24, 61, 63, 65, 85, 92, 51
CPC F21V 21/14; F21V 15/01; F21V 14/02;
F21V 21/30; F21V 21/00; F21V 14/00;
F21S 8/00; F21S 8/003; F21S 8/043;
F21Y 2105/001
See application file for complete search history.

(56) **References Cited**

U.S. PATENT DOCUMENTS

D397,234 S *	8/1998	Huang	D26/63
6,030,094 A	2/2000	Sedovic et al.		
6,350,040 B1	2/2002	Parker		
6,479,965 B2	11/2002	Barbeau et al.		
6,659,621 B2	12/2003	Sharrah et al.		

6,752,514 B2	6/2004	Parker		
6,819,080 B2	11/2004	Barbeau et al.		
6,909,260 B2	6/2005	Parker		
D509,014 S *	8/2005	Bonneville	D26/63
7,109,683 B2	9/2006	Parker		
7,314,286 B2	1/2008	Sharrah et al.		
7,470,036 B2	12/2008	Deighton et al.		
7,484,858 B2	2/2009	Deighton et al.		
7,621,652 B2	11/2009	Zick		
7,638,970 B1	12/2009	Gebhard et al.		
7,705,542 B2	4/2010	Hilt et al.		
7,772,801 B2	8/2010	Dowdy et al.		
D623,786 S *	9/2010	Wessel	D26/51
7,934,849 B2	5/2011	Ellis et al.		
8,025,418 B2	9/2011	Zick		
RE42,945 E	11/2011	Sharrah et al.		
8,358,101 B2	1/2013	Dowdy et al.		

(Continued)

Primary Examiner — Brian N. Vinson

(74) *Attorney, Agent, or Firm* — King & Schickli, PLLC

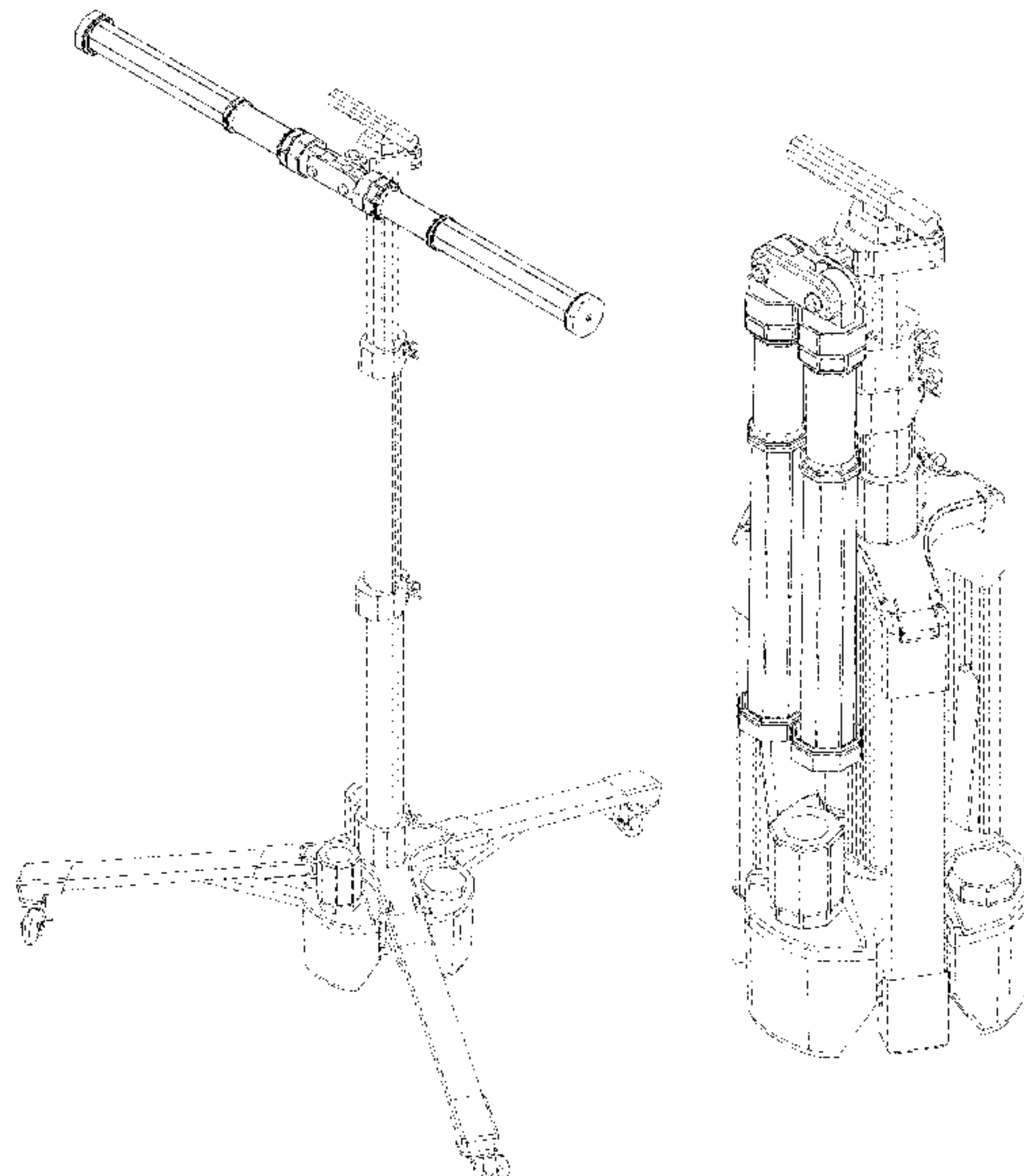
(57) **CLAIM**

The ornamental design for a pedestal light assembly, as shown and described.

DESCRIPTION

FIG. 1 is a front perspective view of a pedestal light assembly;
FIG. 2 is a bottom perspective view of the pedestal light assembly;
FIG. 3 is a front view of the pedestal light assembly;
FIG. 4 is a right side view of the pedestal light assembly;
FIG. 5 is a rear view of the pedestal light assembly;
FIG. 6 is a left side view of the pedestal light assembly;
FIG. 7 is a top view of the pedestal light assembly;
FIG. 8 is a bottom view of the pedestal light assembly; and,
FIG. 9 is a front perspective view of the pedestal light assembly in a collapsed configuration.
The broken line depictions form no part of the claimed design.

1 Claim, 9 Drawing Sheets



(56)

References Cited

U.S. PATENT DOCUMENTS

8,659,264	B2	2/2014	Brandon, II et al.	
8,662,699	B2	3/2014	Tarter	
D730,553	S *	5/2015	Naksen	D26/63
9,103,495	B2	8/2015	Intravatola	
9,273,857	B2	3/2016	Rosenbecker et al.	
D759,871	S *	6/2016	Consuegra	D26/63
D770,657	S *	11/2016	Fang	D26/63
2015/0192243	A1	7/2015	Sharrah et al.	

* cited by examiner

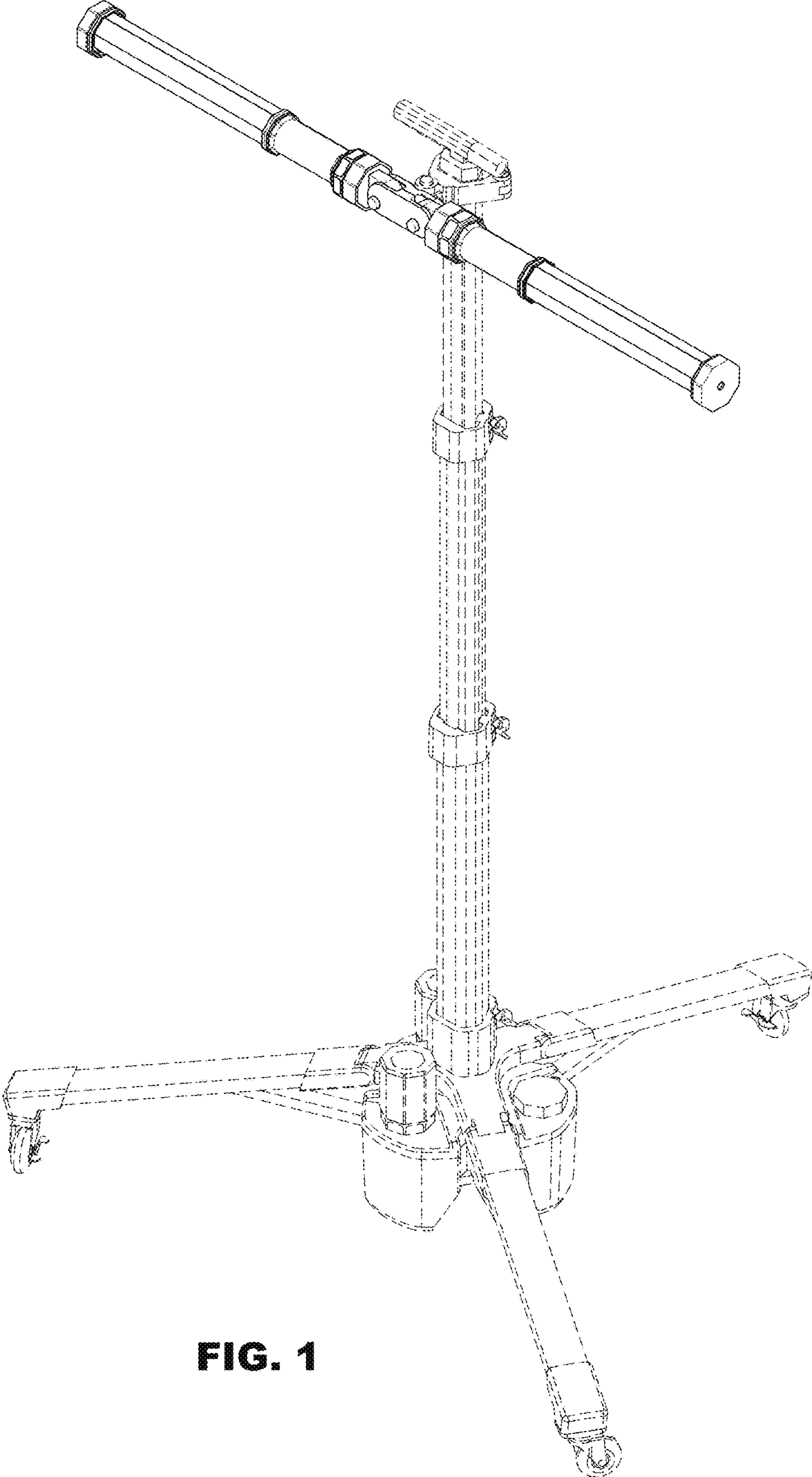


FIG. 1

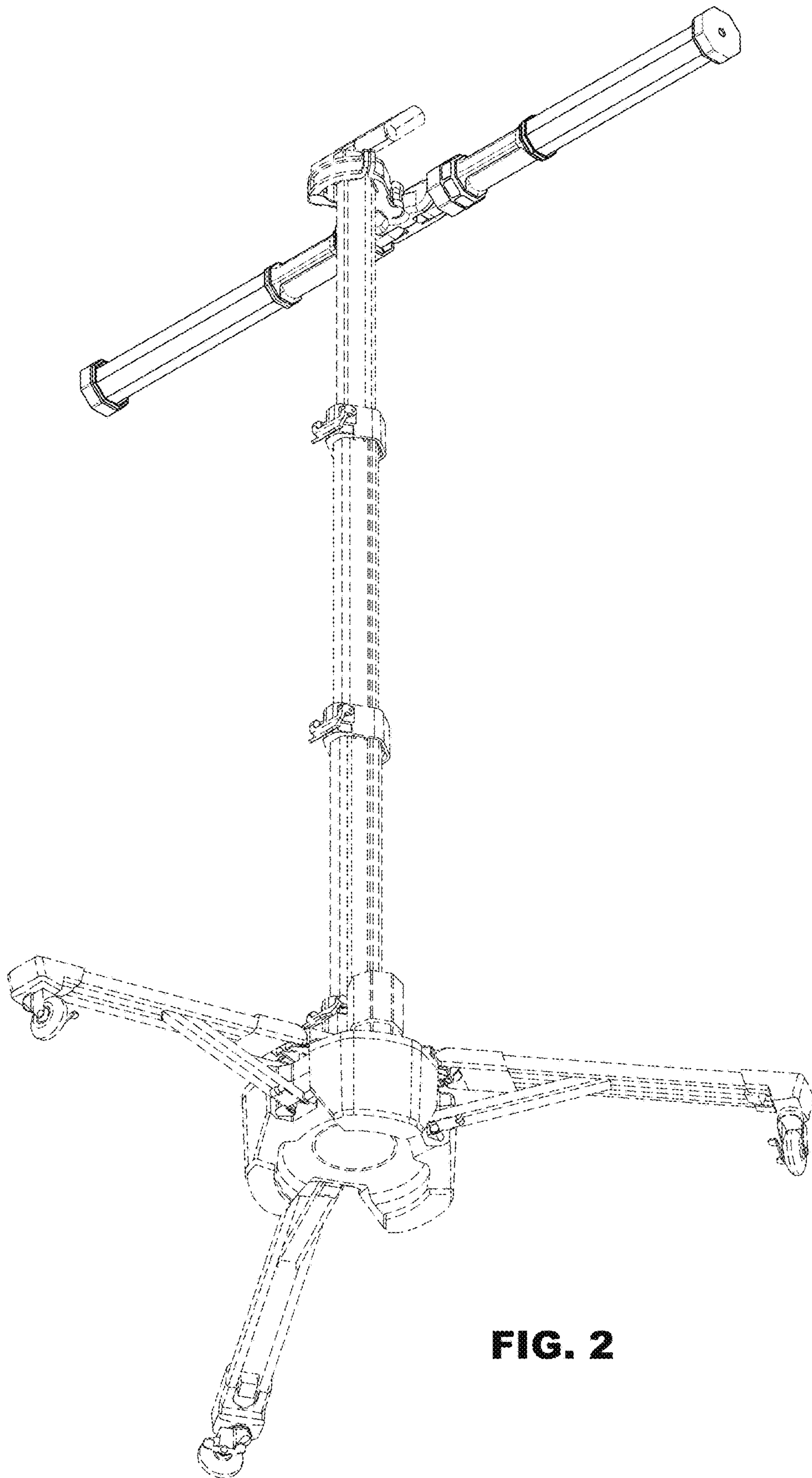


FIG. 2

FIG. 3

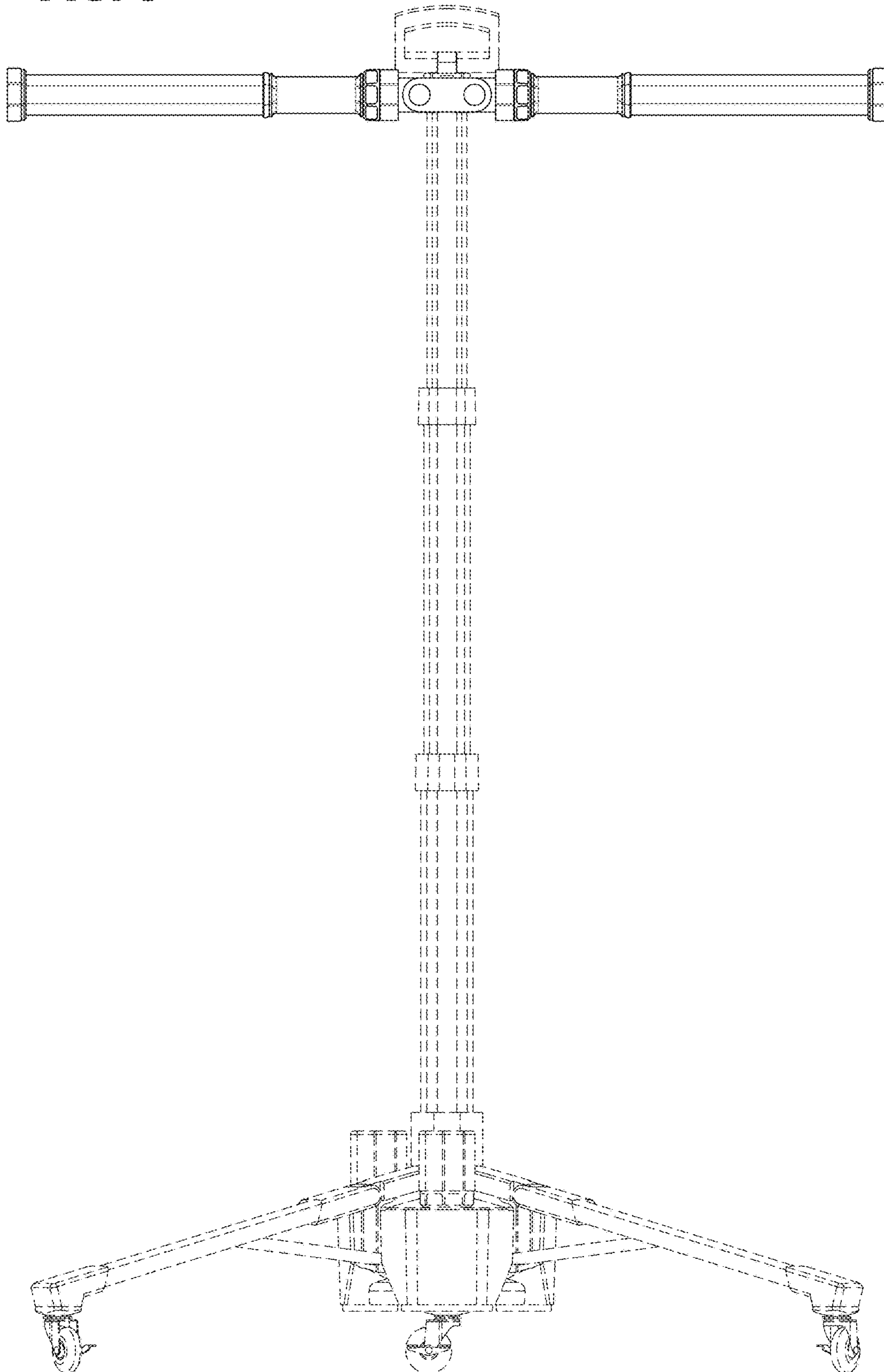


FIG. 4

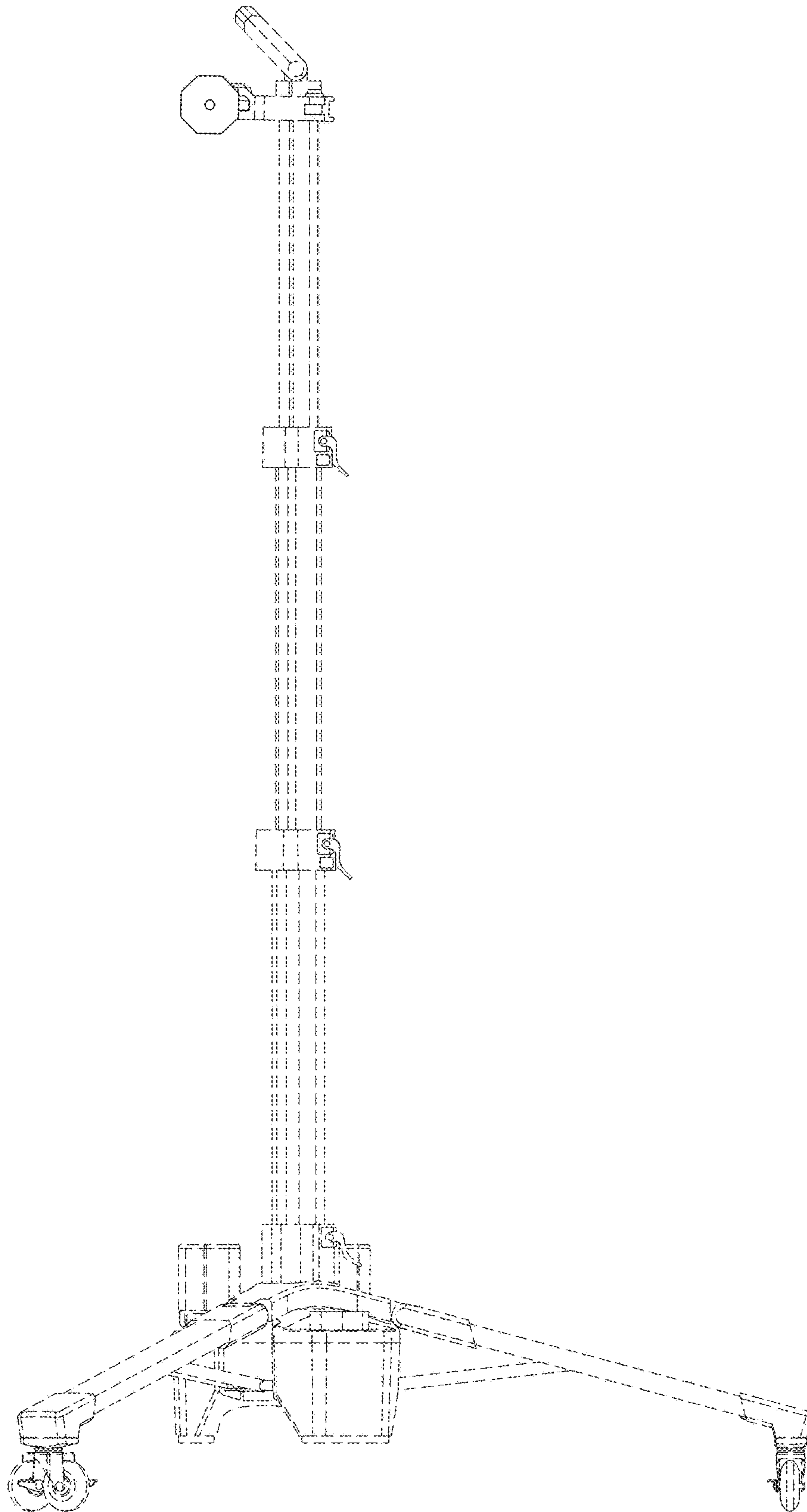
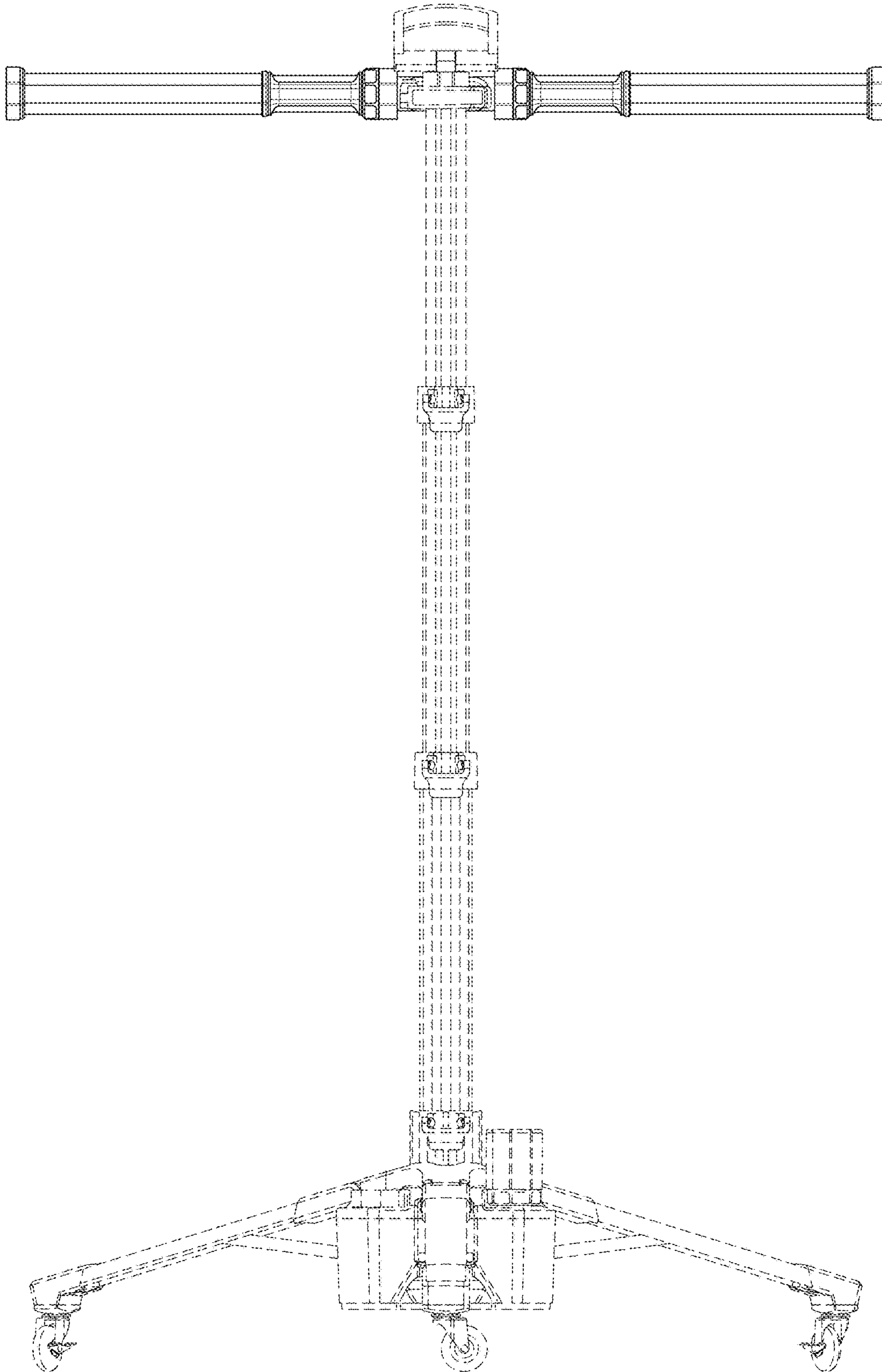


FIG. 5



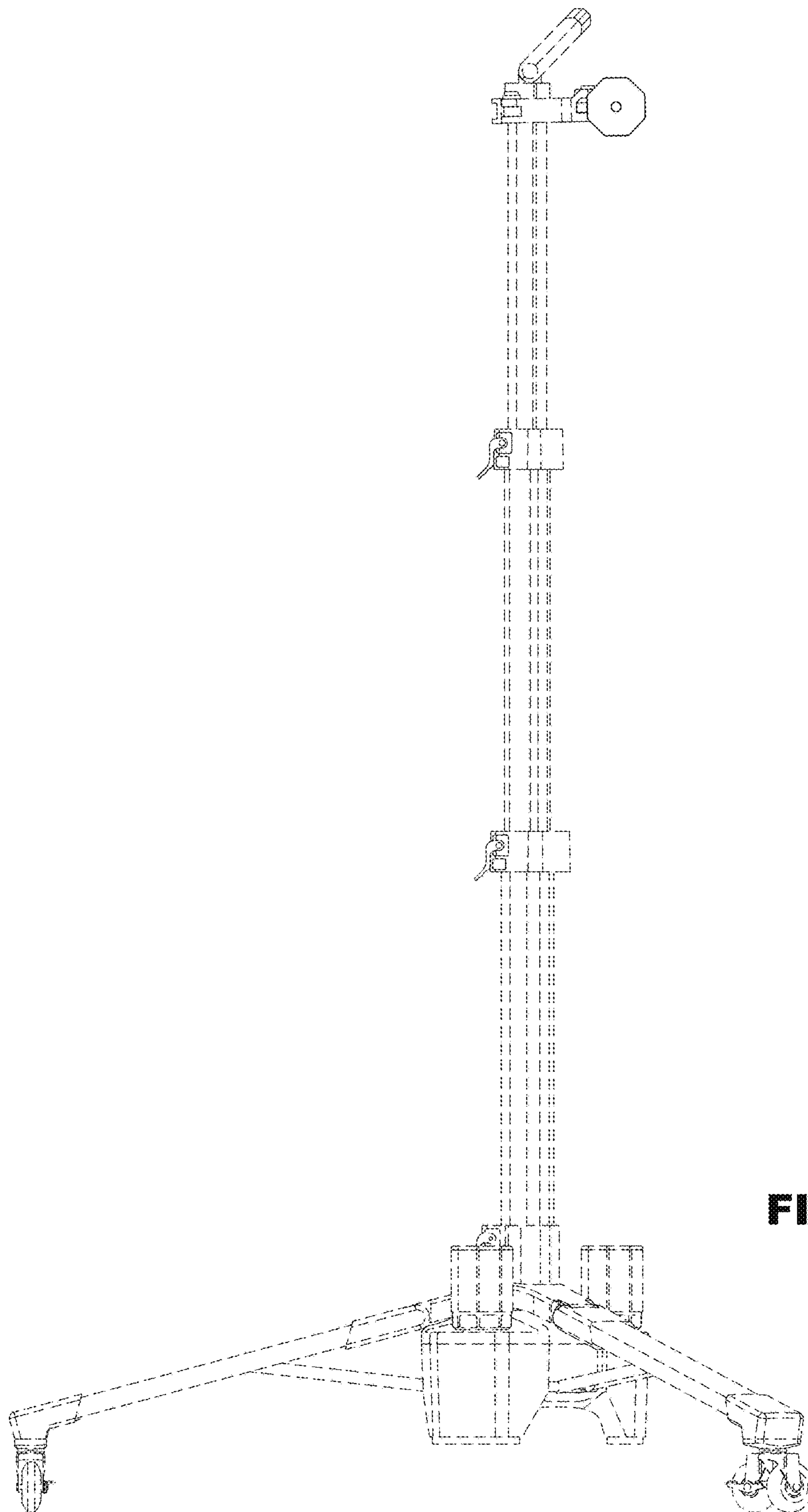


FIG. 6

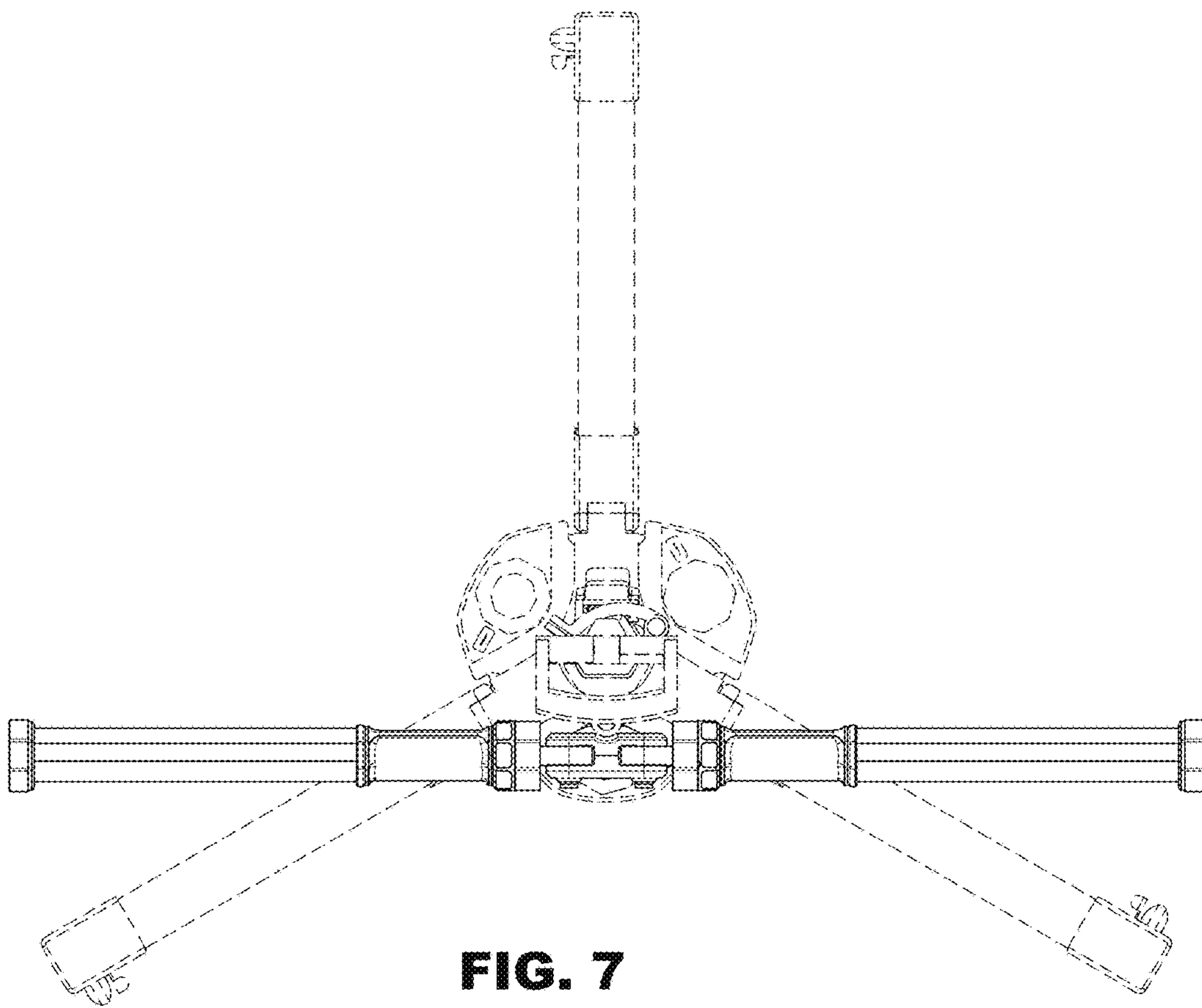


FIG. 7

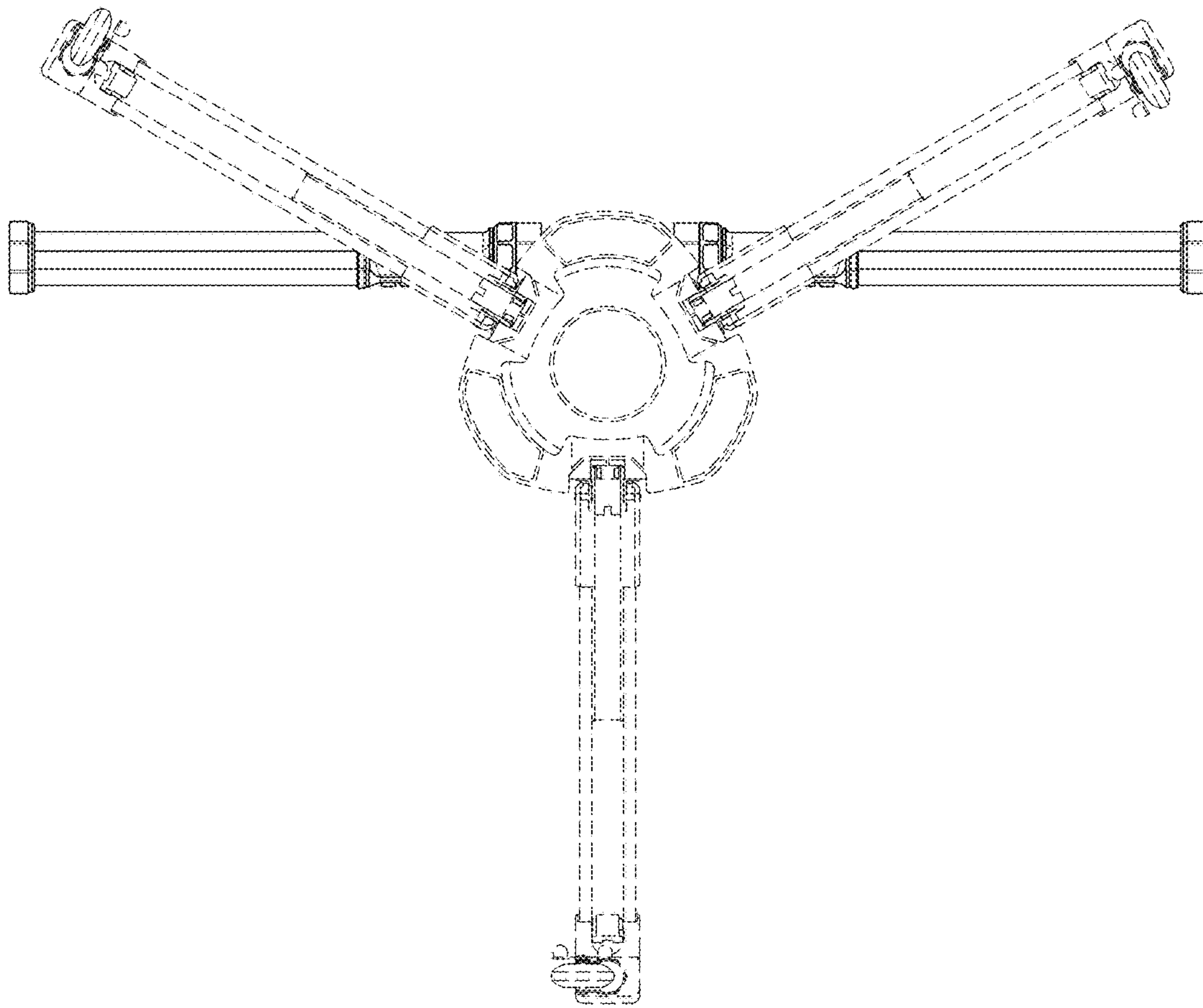


FIG. 8

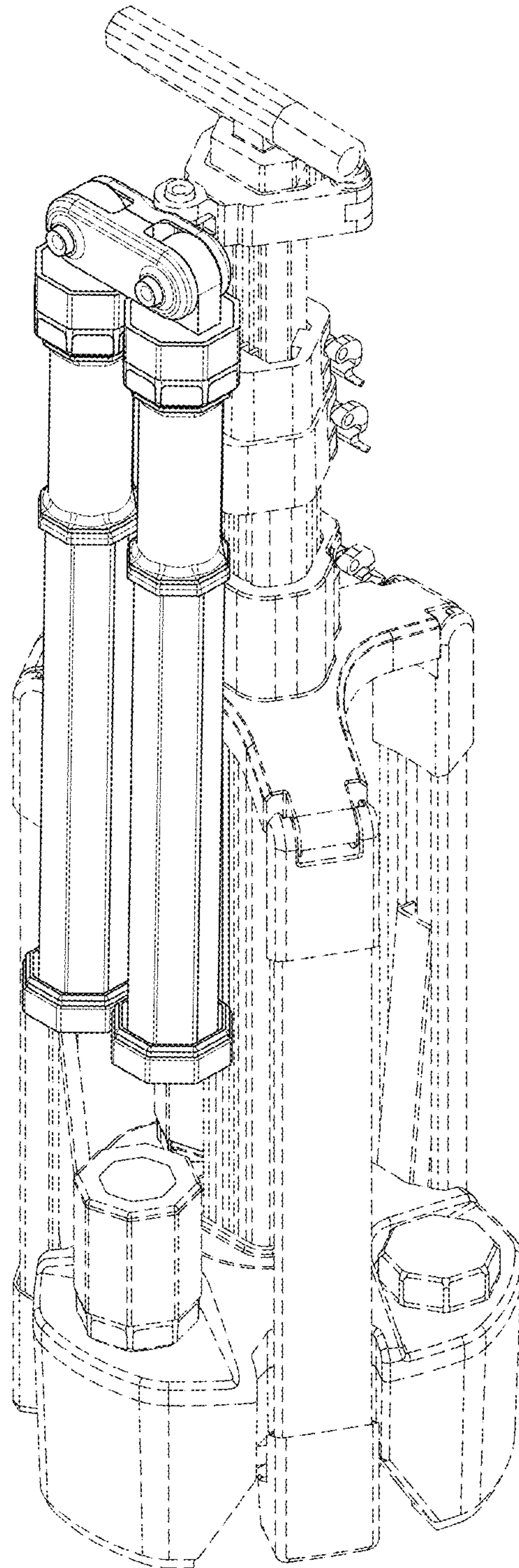


FIG. 9