



US00D815327S

(12) **United States Design Patent**  
**Möller et al.**

(10) **Patent No.:** **US D815,327 S**  
(45) **Date of Patent:** **\*\* Apr. 10, 2018**

(54) **SPOTLIGHT**

(75) Inventors: **Andreas Möller**, München (DE); **Josef Ostermann**, München (DE); **Erwin Melzner**, Frasdorf (DE); **Michael Jonischkeit**, Alxing (DE); **Kerstin Schlegel**, Stephanskirchen (DE); **Klaus-Dieter Stegmaier**, Viechtach (DE)

D388,525 S 12/1997 Lowell et al.  
D426,335 S \* 6/2000 Kulterer ..... D26/63  
D563,035 S \* 2/2008 Schlegel ..... D26/118  
D587,833 S \* 3/2009 Bina et al. .... D26/63  
D606,690 S \* 12/2009 Orrom et al. .... D26/61  
D634,871 S \* 3/2011 Wooh ..... D26/63  
D659,894 S \* 5/2012 Orrom et al. .... D26/118  
D662,638 S \* 6/2012 Kosche et al. .... D26/63

(Continued)

(73) Assignee: **Arnold & Richter Cine Technik GmbH & Co., Betriebs KG**, Munich (DE)

(\*\*) Term: **14 Years**

(21) Appl. No.: **29/414,972**

(22) Filed: **Mar. 6, 2012**

(30) **Foreign Application Priority Data**

Jun. 9, 2011 (DE) ..... 40 2011 006 185

(51) **LOC (11) Cl.** ..... **26-05**

(52) **U.S. Cl.**  
USPC ..... **D26/63; D26/50**

(58) **Field of Classification Search**

USPC ..... D26/48, 63, 37, 46, 49, 51; 362/157, 362/158, 183, 184, 194-196, 202-208  
CPC .... F21Y 2101/00; F21V 21/30; F21V 21/406; F21W 2131/406; F21W 2131/407; F21L 2003/00; F21L 4/00; F21L 4/005; F21L 4/02; F21L 4/025; F21L 4/027; F21L 4/04; F21L 4/08; F21L 2005/00; F21L 7/00; F21L 11/00; F21L 13/00; F21L 13/04; F21L 13/08; F21L 14/02; F21L 17/00; F21L 19/00

See application file for complete search history.

(56) **References Cited**

U.S. PATENT DOCUMENTS

D297,171 S \* 8/1988 Parker ..... D26/24  
D355,267 S \* 2/1995 Parker ..... D26/24

OTHER PUBLICATIONS

ARRI-Lighting, Film & Television Lighting Products, 1995, 6 sheets.

(Continued)

*Primary Examiner* — Ian Simmons

*Assistant Examiner* — Carissa C Fitts

(74) *Attorney, Agent, or Firm* — Lewis Roca Rothgerber Christie LLP

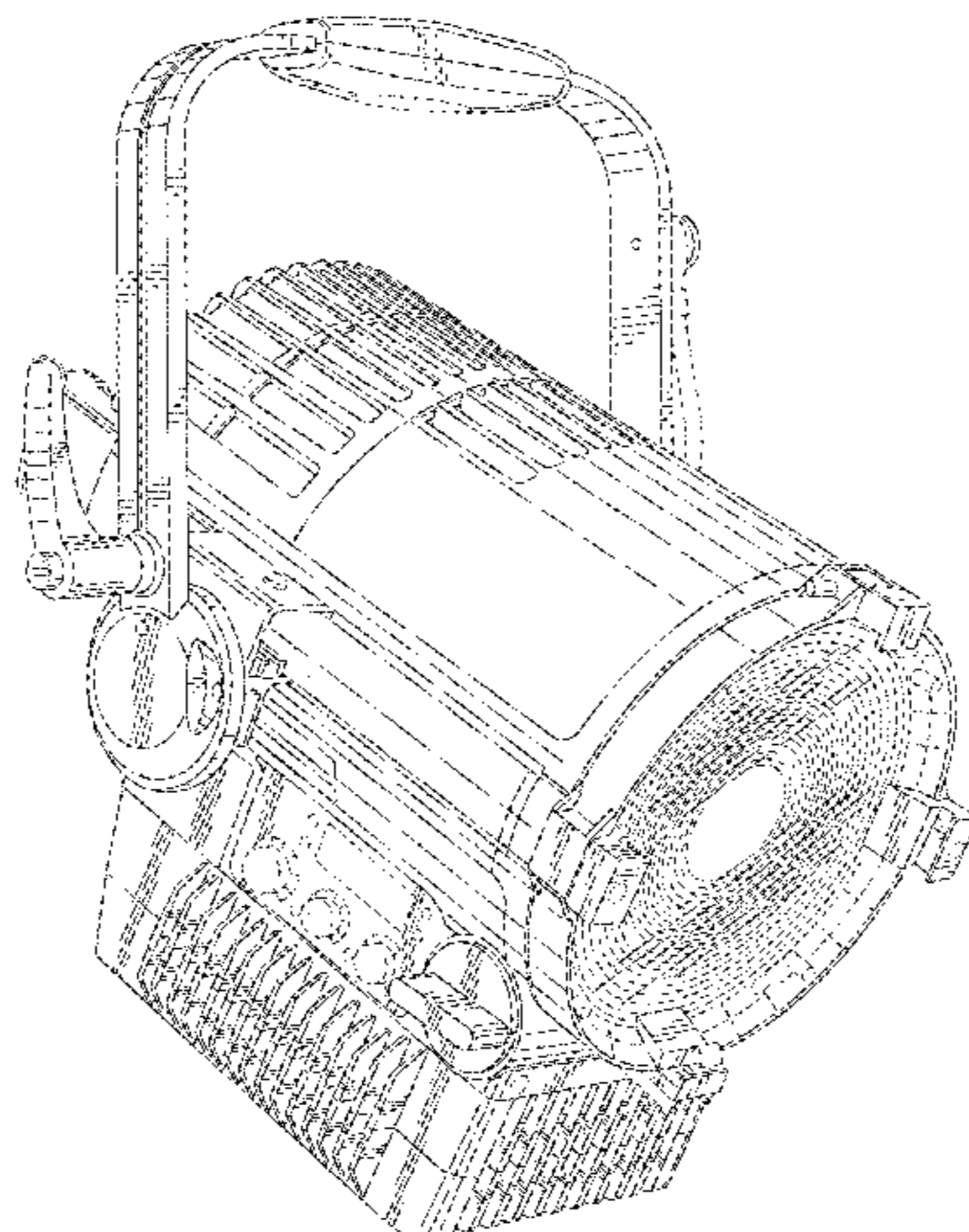
(57) **CLAIM**

The ornamental design for a spotlight, as shown and described.

DESCRIPTION

FIG. 1 is a front perspective view of the spotlight from the left side thereof;  
FIG. 2 is a back perspective view of the spotlight from the right side thereof;  
FIG. 3 is a front perspective view thereof;  
FIG. 4 is a left side perspective view thereof;  
FIG. 5 is a back perspective view thereof;  
FIG. 6 is a right side perspective view thereof;  
FIG. 7 is a top perspective view thereof; and,  
FIG. 8 is a bottom perspective view thereof.  
The broken lines in the drawings are for illustrative purpose only and form no part of the claimed design.

**1 Claim, 8 Drawing Sheets**



(56)

**References Cited**

U.S. PATENT DOCUMENTS

D705,480 S \* 5/2014 Acampora et al. .... D26/118

OTHER PUBLICATIONS

ARRI-Arrisun, ARRI (GB) Ltd., Feb. 1995, 3 sheets.  
ARRI-Studio, Oct. 1995, ARRI (GB) Ltd., 4 sheets.  
ARRI-Junior, ARRI Arnold & Richter Cine Technik, May 1996, 3 sheets.  
ARRI-ARRI Compact, ARRI (GB) Ltd., Oct. 1995, 4 sheets.  
ARRI-Lighting, May 1998, 6 sheets.  
ARRI-Arrisun, ARRI (GB) Ltd., Apr. 1998, 4 sheets.  
ARRI-Junior, ARRI Arnold & Richter Cine Technik, Feb. 1998, 4 sheets.  
ARRI-Compact, ARRI (GB) Ltd., May 1998, 4 sheets.

\* cited by examiner

FIG. 1

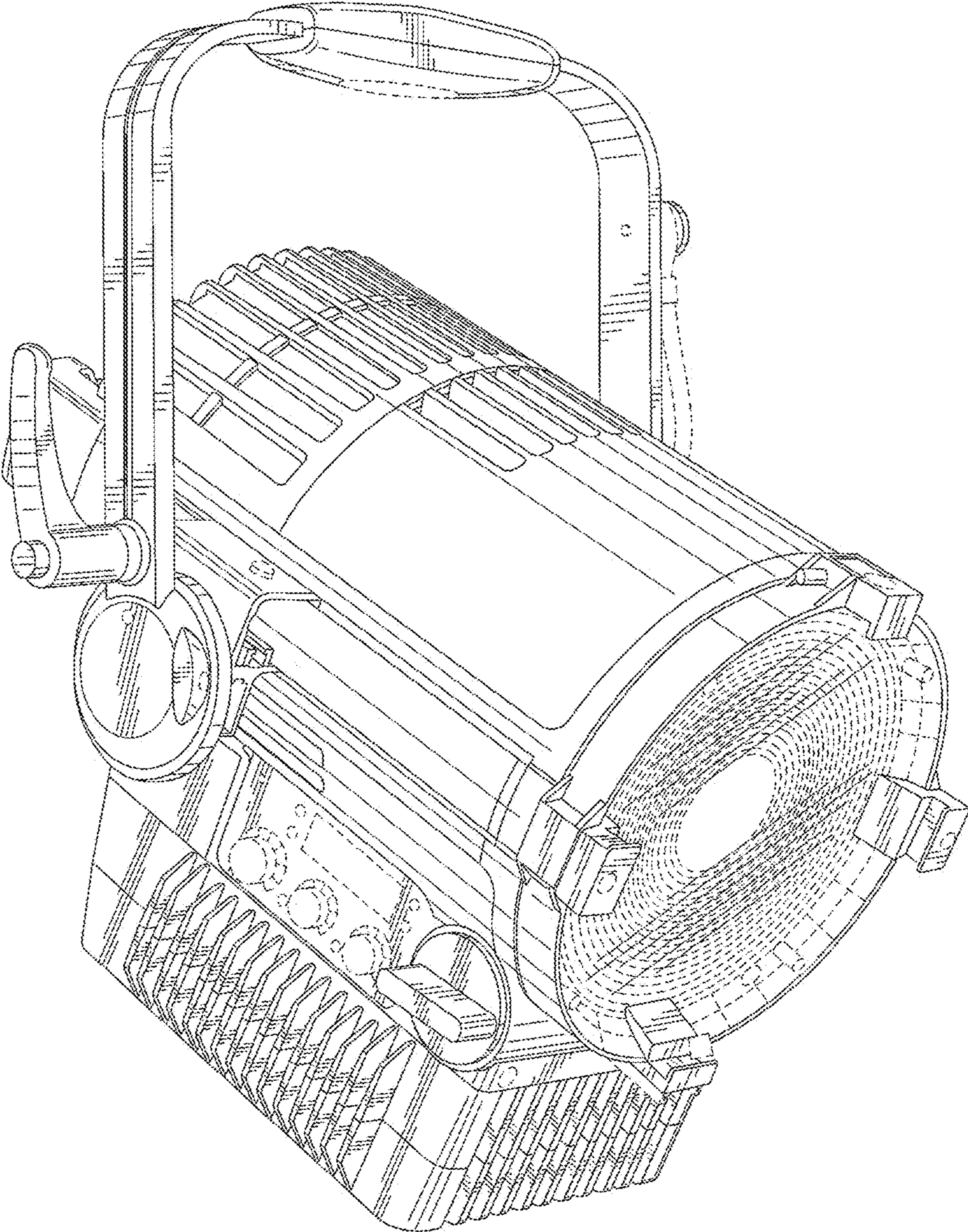


FIG. 2

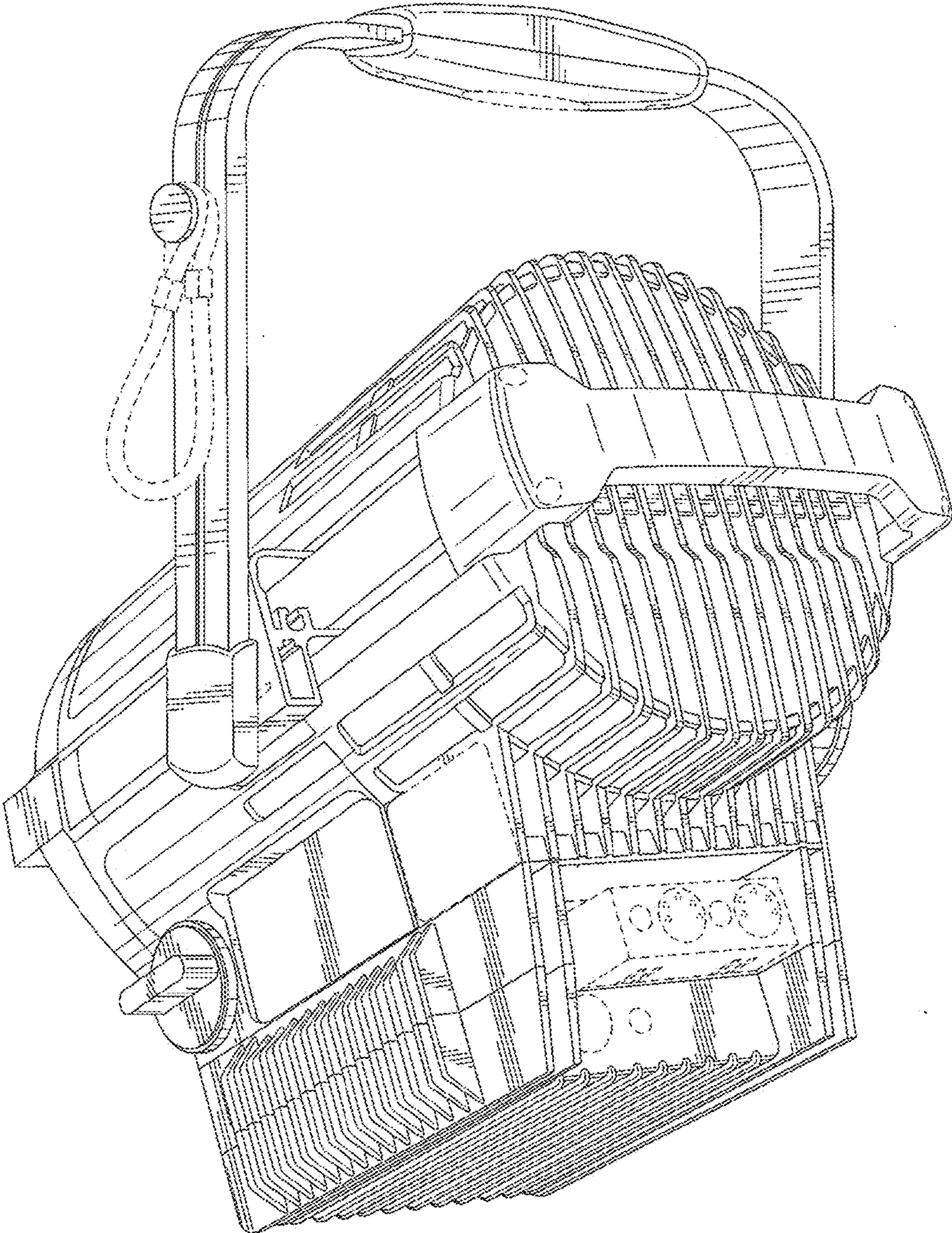


FIG. 3

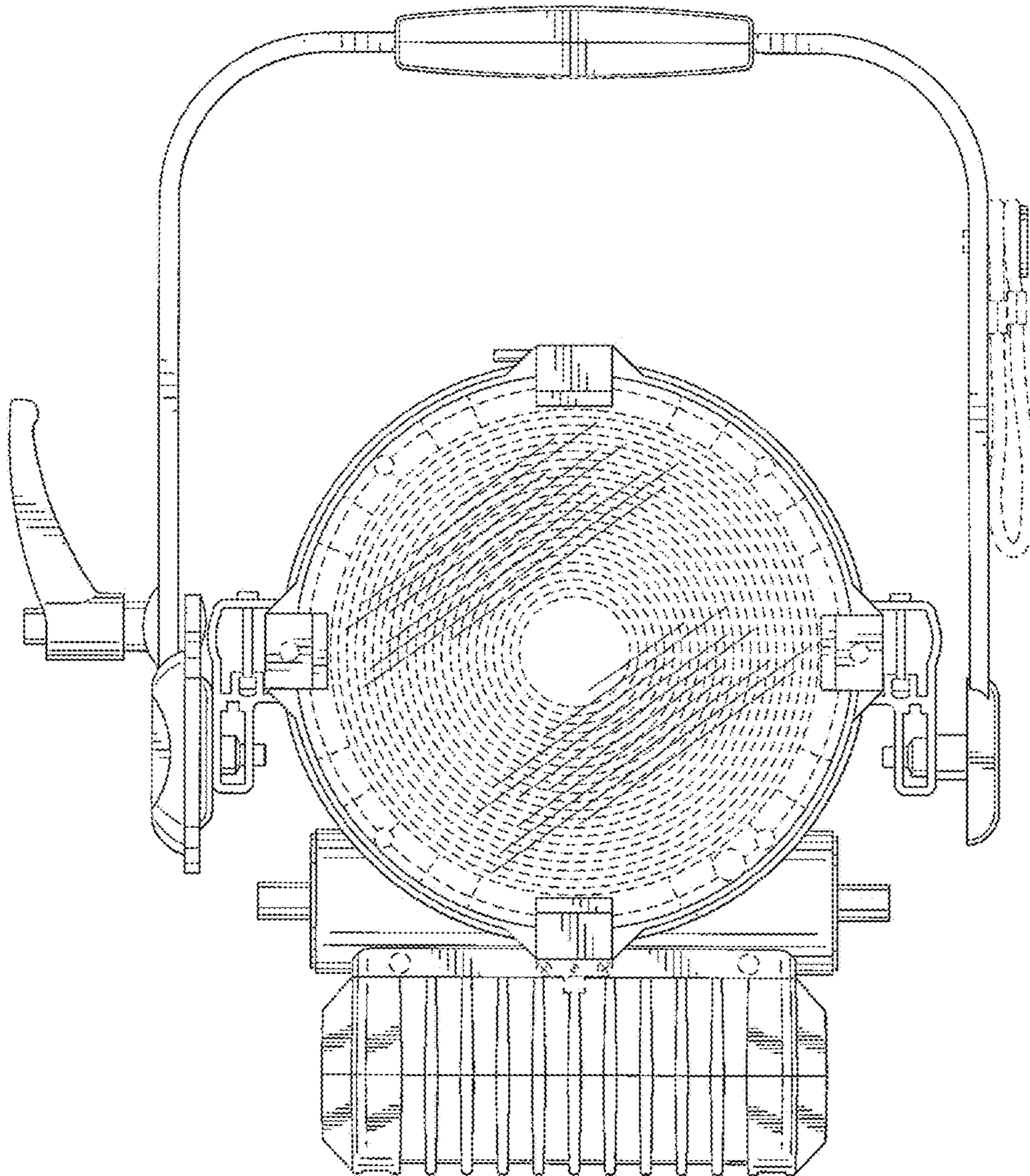


FIG. 4

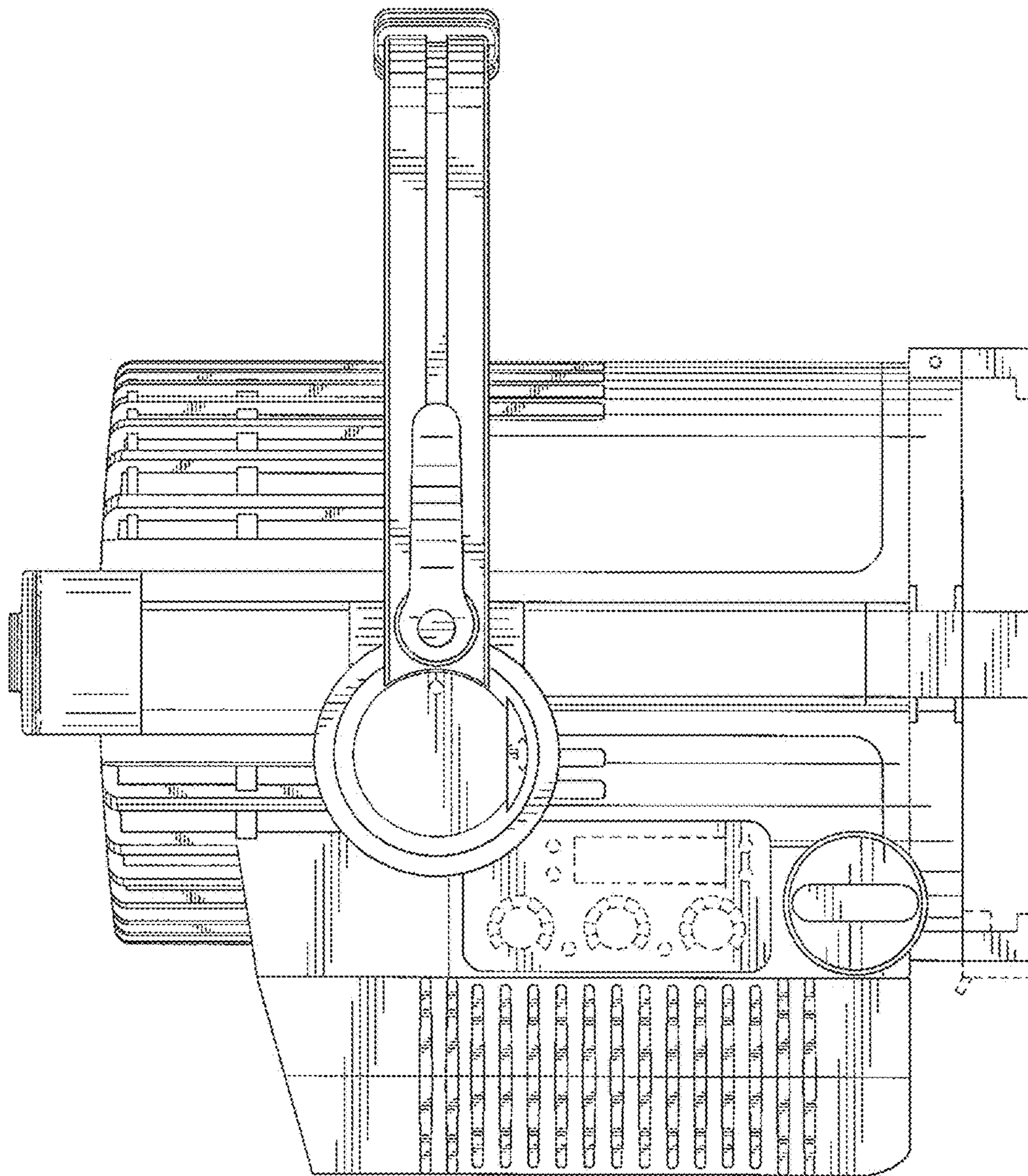


FIG. 5

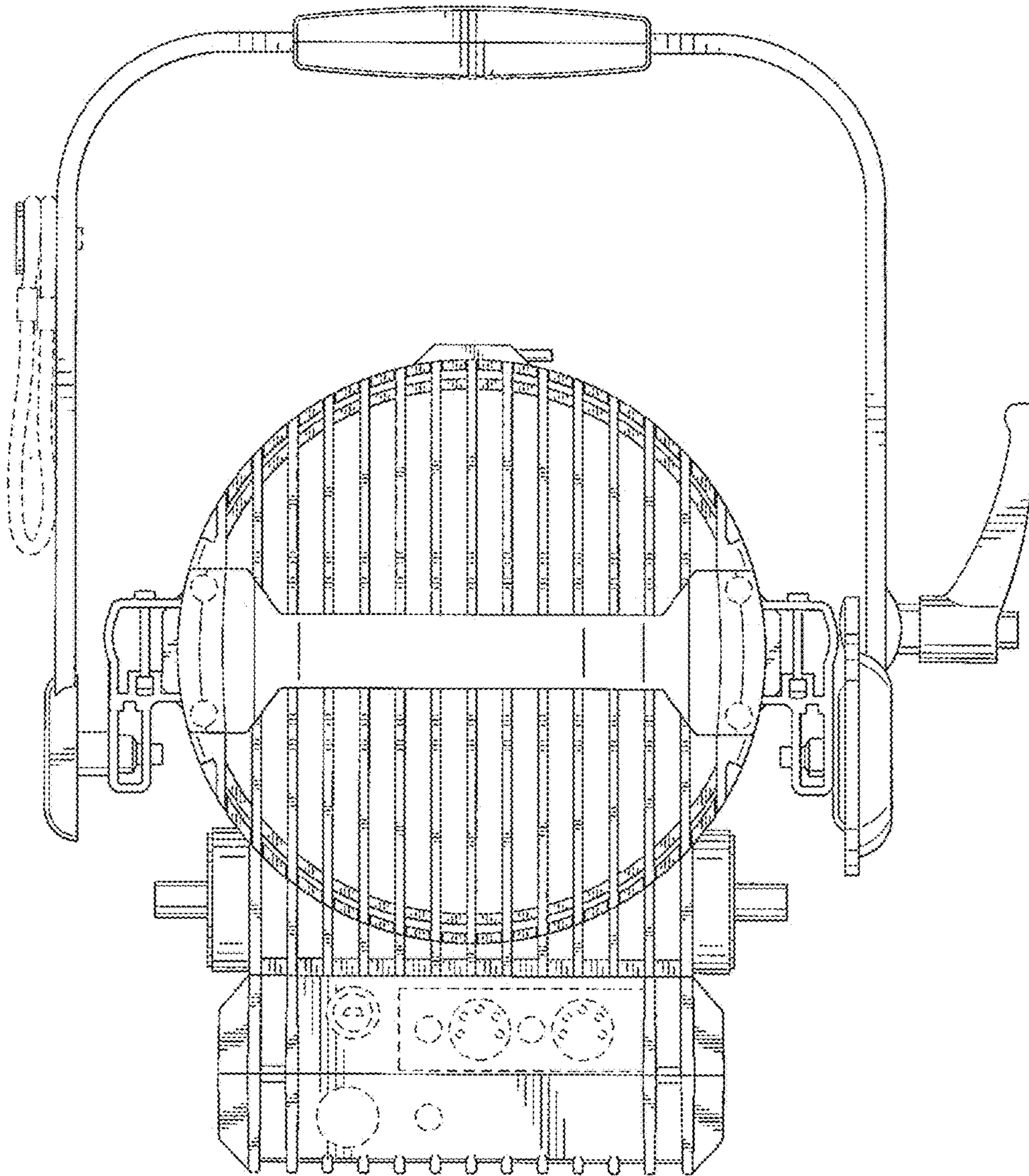


FIG. 6

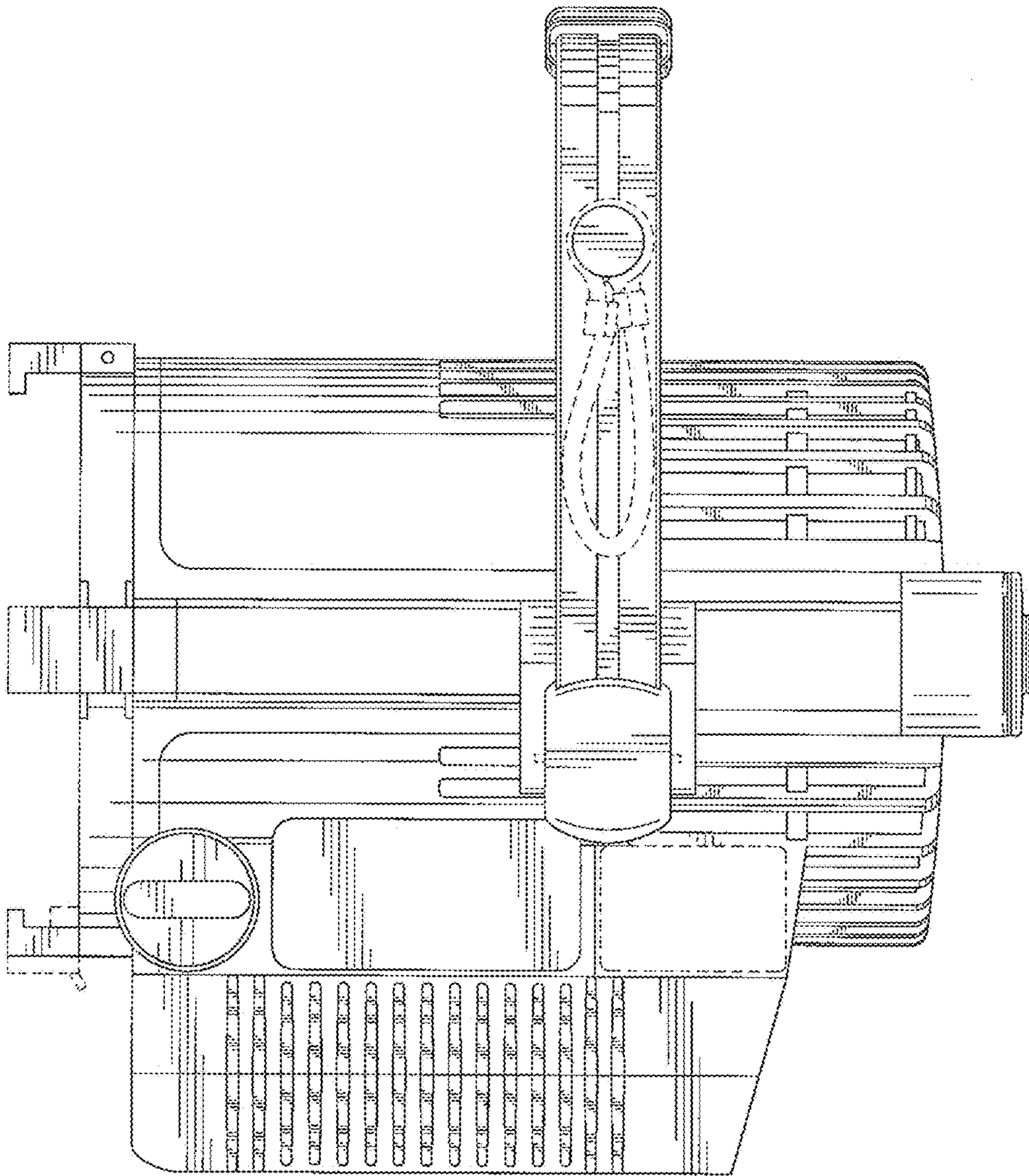




FIG. 7

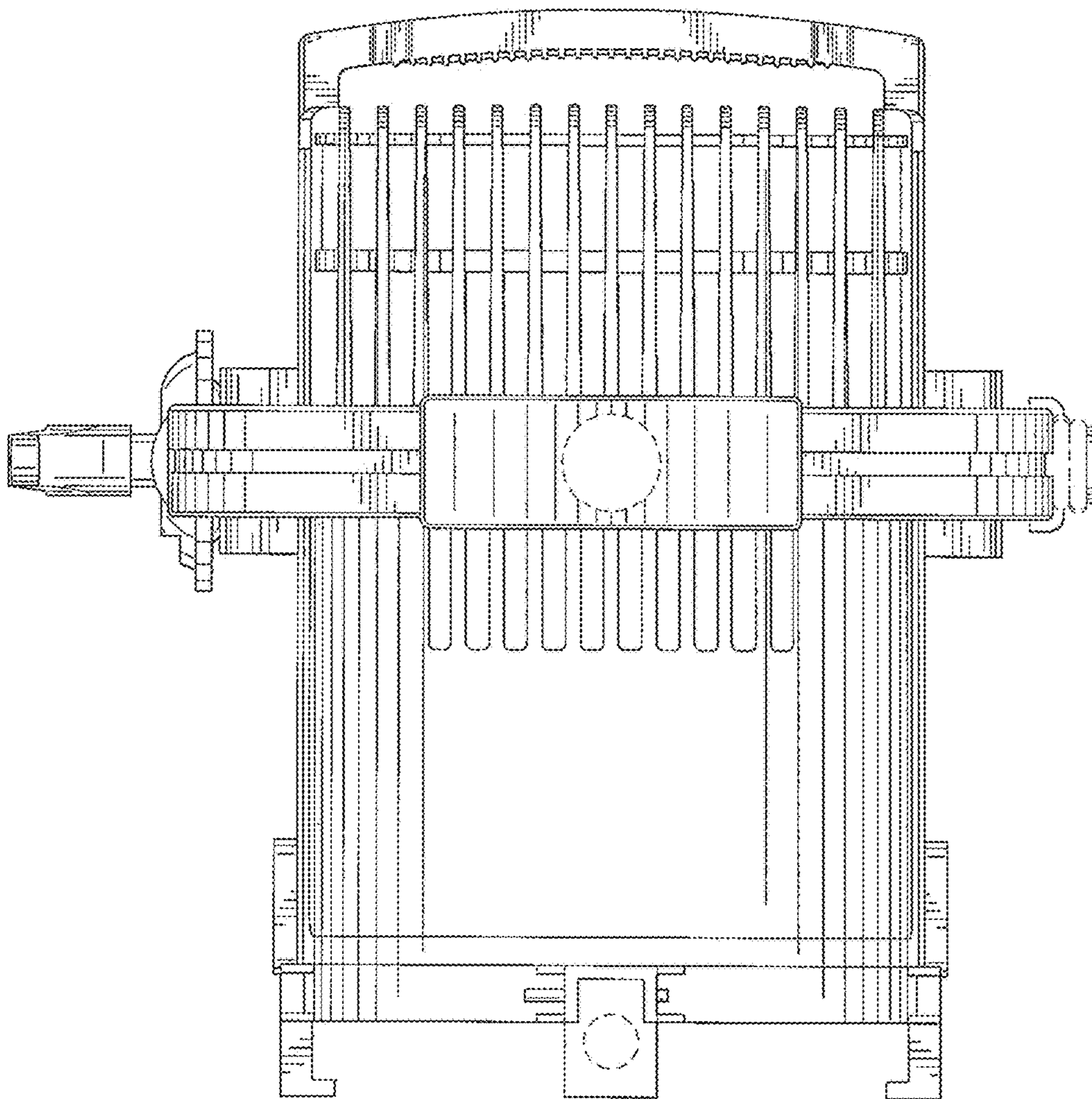
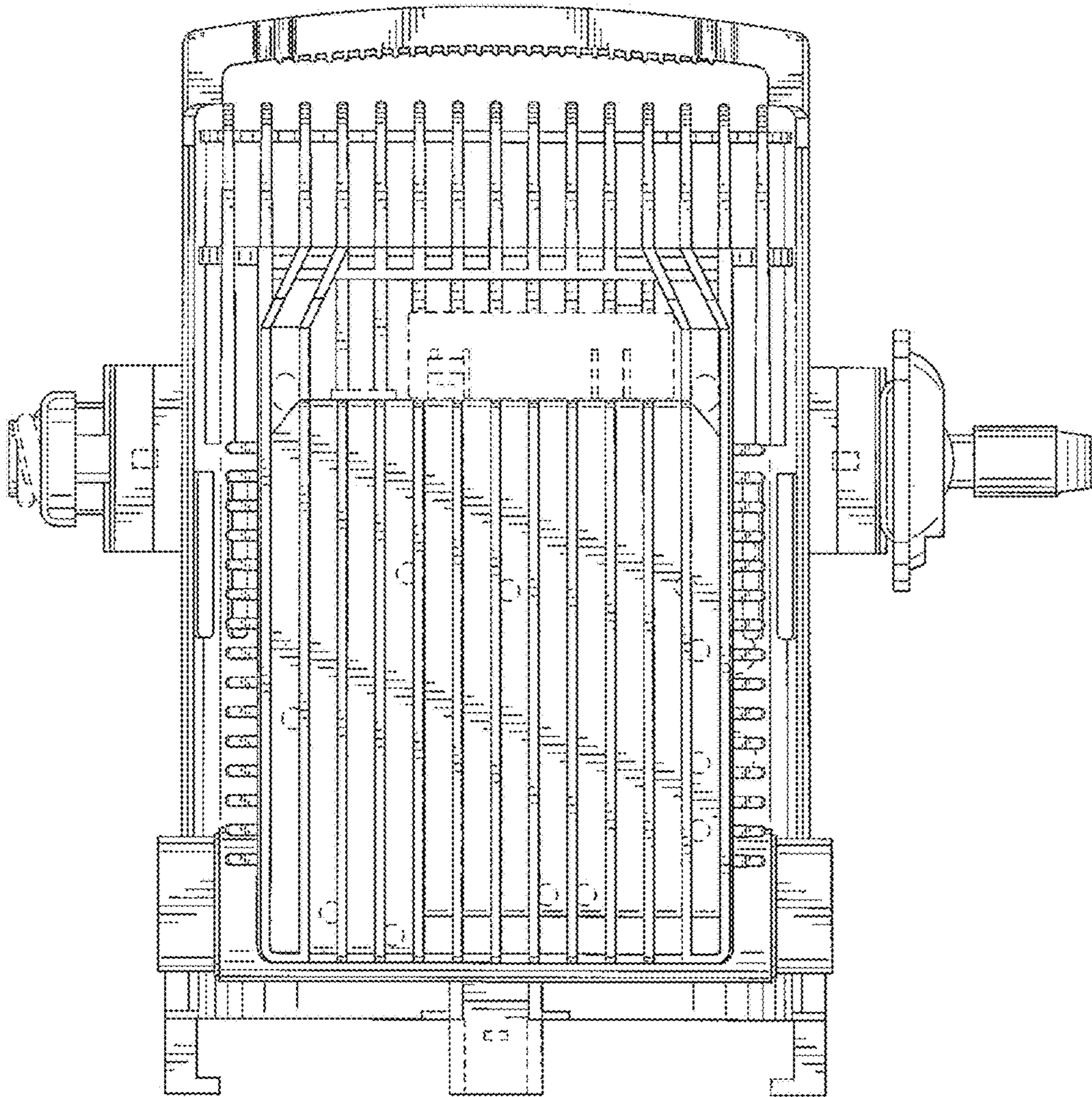


FIG. 8



UNITED STATES PATENT AND TRADEMARK OFFICE  
**CERTIFICATE OF CORRECTION**

PATENT NO. : D815,327 S  
APPLICATION NO. : 29/414972  
DATED : April 10, 2018  
INVENTOR(S) : Andreas Moller et al.

Page 1 of 1

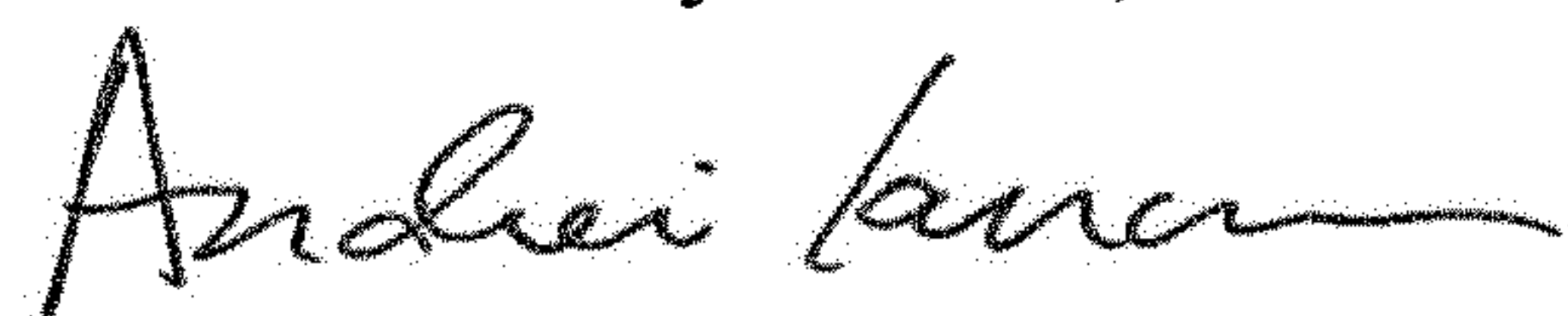
It is certified that error appears in the above-identified patent and that said Letters Patent is hereby corrected as shown below:

On the Title Page

Item (30) Foreign Application Priority Data:

Delete "Jun. 9, 2011" and insert -- Sep. 6, 2011 --

Signed and Sealed this  
Fourth Day of June, 2019



Andrei Iancu  
*Director of the United States Patent and Trademark Office*