



US00D815325S

(12) **United States Design Patent**
Chi

(10) **Patent No.:** **US D815,325 S**

(45) **Date of Patent:** **** Apr. 10, 2018**

(54) **FRONT TURN SIGNAL FOR A VEHICLE**

(71) Applicant: **Razer Auto, Inc.**, Upland, CA (US)

(72) Inventor: **Samuel Chi**, Upland, CA (US)

(73) Assignee: **Razer Auto, Inc.**, Upland, CA (US)

(**) Term: **15 Years**

(21) Appl. No.: **29/578,149**

(22) Filed: **Sep. 19, 2016**

(51) **LOC (11) Cl.** **26-06**

(52) **U.S. Cl.**
USPC **D26/31**

(58) **Field of Classification Search**
USPC 362/80-83, 267-269, 459-468, 475-478,
362/485-487

CPC B60Q 1/02; B60Q 1/04; B60Q 1/0483;
F21S 48/00; F21S 48/10; F21S 48/115;
F21S 48/1233; F21S 48/1266; F21S
48/1388; F21S 48/2268

See application file for complete search history.

(56) **References Cited**

U.S. PATENT DOCUMENTS

D490,172 S	*	5/2004	Yamamoto	D26/28
D521,162 S	*	5/2006	Campagna	D26/28
D532,537 S	*	11/2006	Shiu	D26/39
D570,011 S	*	5/2008	Huang	D26/28
D638,963 S	*	5/2011	Huang	D26/28
D745,717 S		12/2015	Wu		
D745,723 S		12/2015	Yoshida		
D745,986 S		12/2015	Gorsten Schuenemann		
D746,495 S		12/2015	Gorsten Schuenemann		
D747,017 S		1/2016	Hanson		
D747,512 S		1/2016	Lai		

D747,517 S	1/2016	Lai
D747,518 S	1/2016	Lai
D747,519 S	1/2016	Kim
D747,820 S	1/2016	Sato
D750,815 S	3/2016	Platto
D750,816 S	3/2016	Platto
D750,817 S	3/2016	Lin
D750,818 S	3/2016	Lin
D750,819 S	3/2016	Schneider
D751,737 S	3/2016	Lai
D751,740 S	3/2016	Wolff
D752,254 S	3/2016	Futschik
D752,255 S	3/2016	Futschik
D752,782 S	3/2016	Moessner
D753,323 S	4/2016	George
D754,375 S	4/2016	Vena

* cited by examiner

Primary Examiner — Marcus Jackson

(74) *Attorney, Agent, or Firm* — Eric Kelly

(57) **CLAIM**

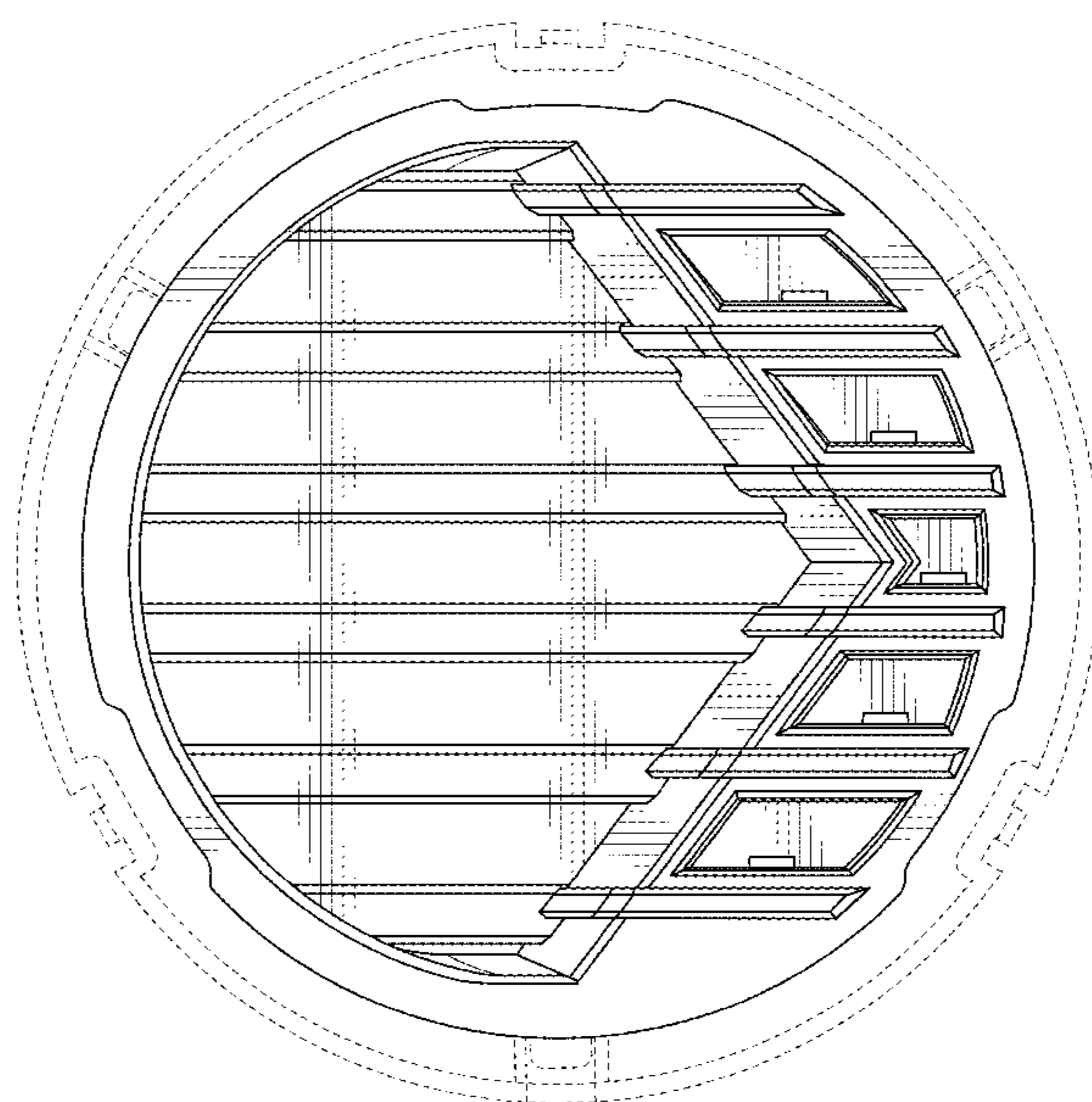
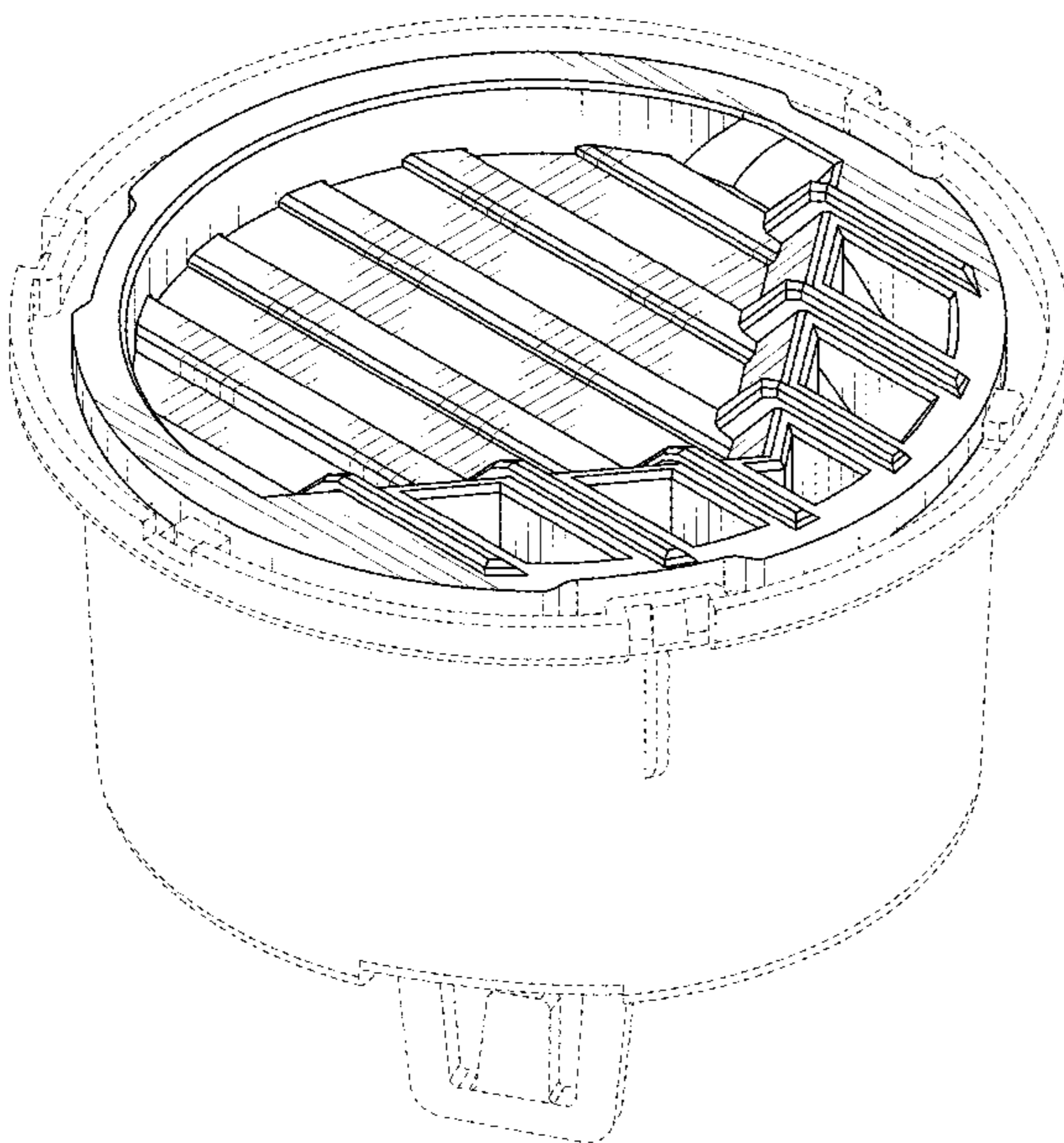
An ornamental design for a front turn signal for a vehicle, as shown and described herein.

DESCRIPTION

FIG. 1 illustrates a perspective view of a new and ornamental front turn signal for a vehicle;
FIG. 2 illustrates a front view thereof;
FIG. 3 illustrates a back view thereof;
FIG. 4 illustrates a left-side view thereof;
FIG. 5 illustrates a right-side view thereof;
FIG. 6 illustrates a top view thereof; and,
FIG. 7 illustrates a bottom view thereof.

The broken lines in the figures depict portions of the front turn signal for a vehicle that form no part of the claimed design.

1 Claim, 7 Drawing Sheets



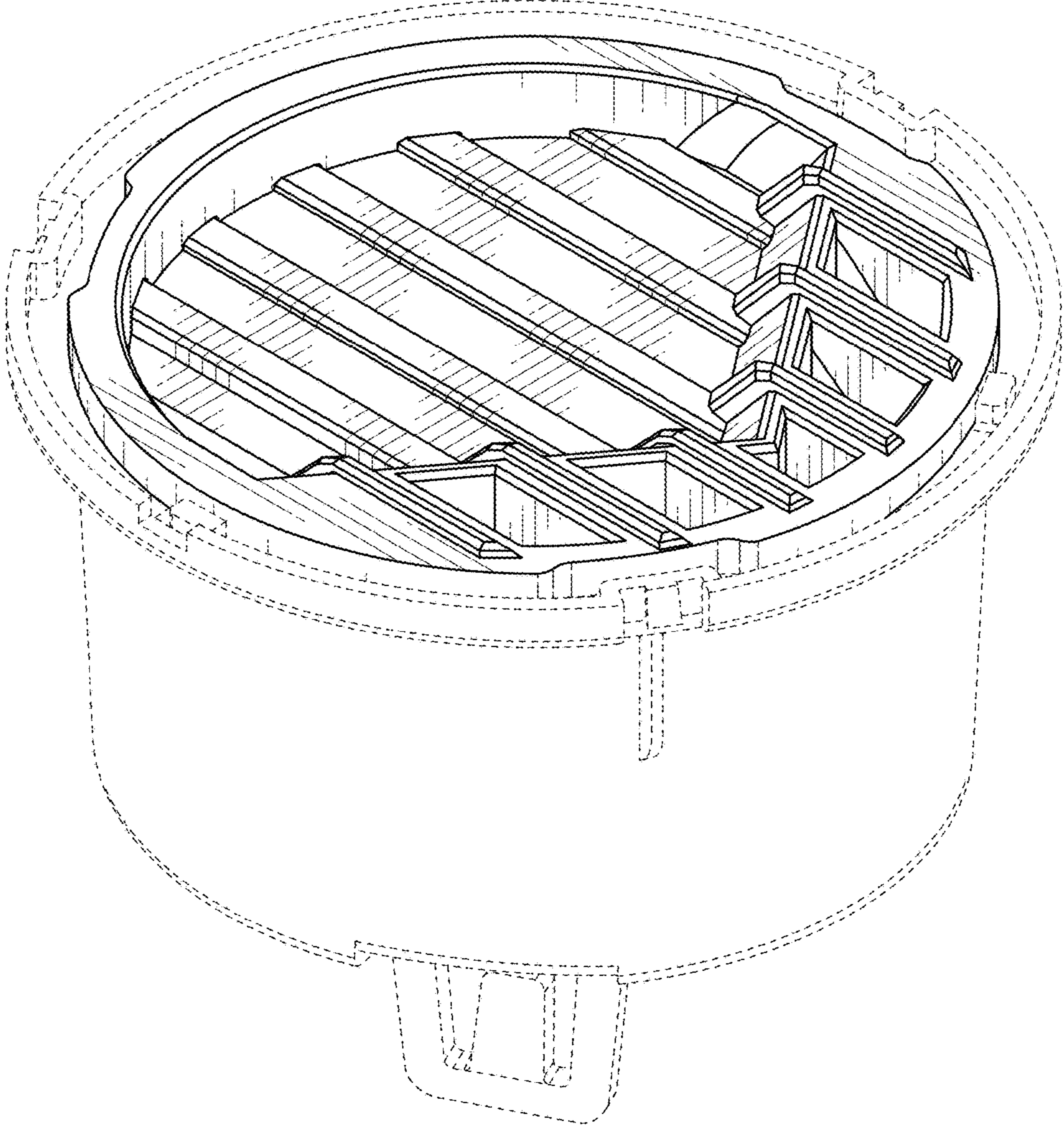


FIG. 1

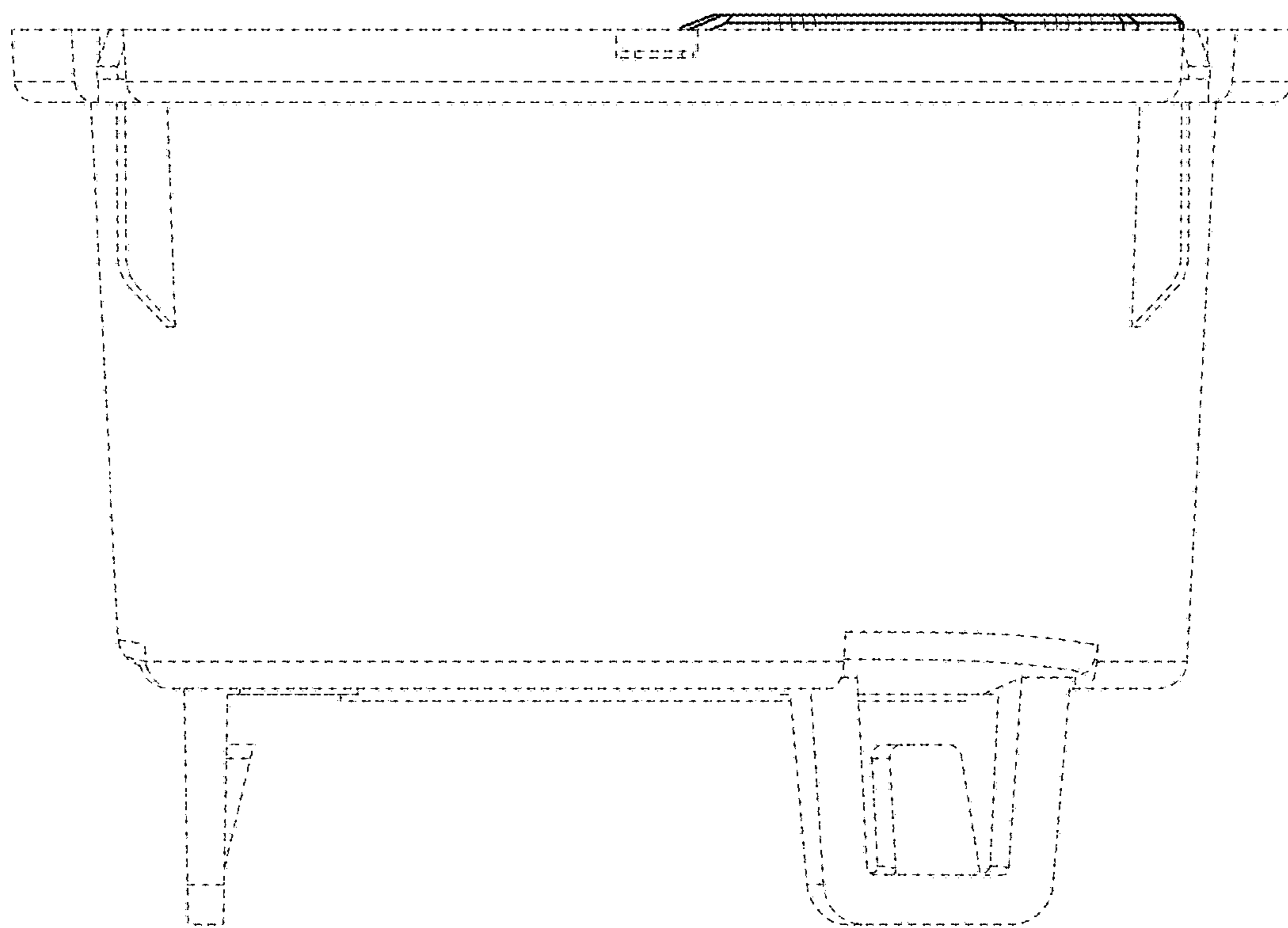


FIG. 2

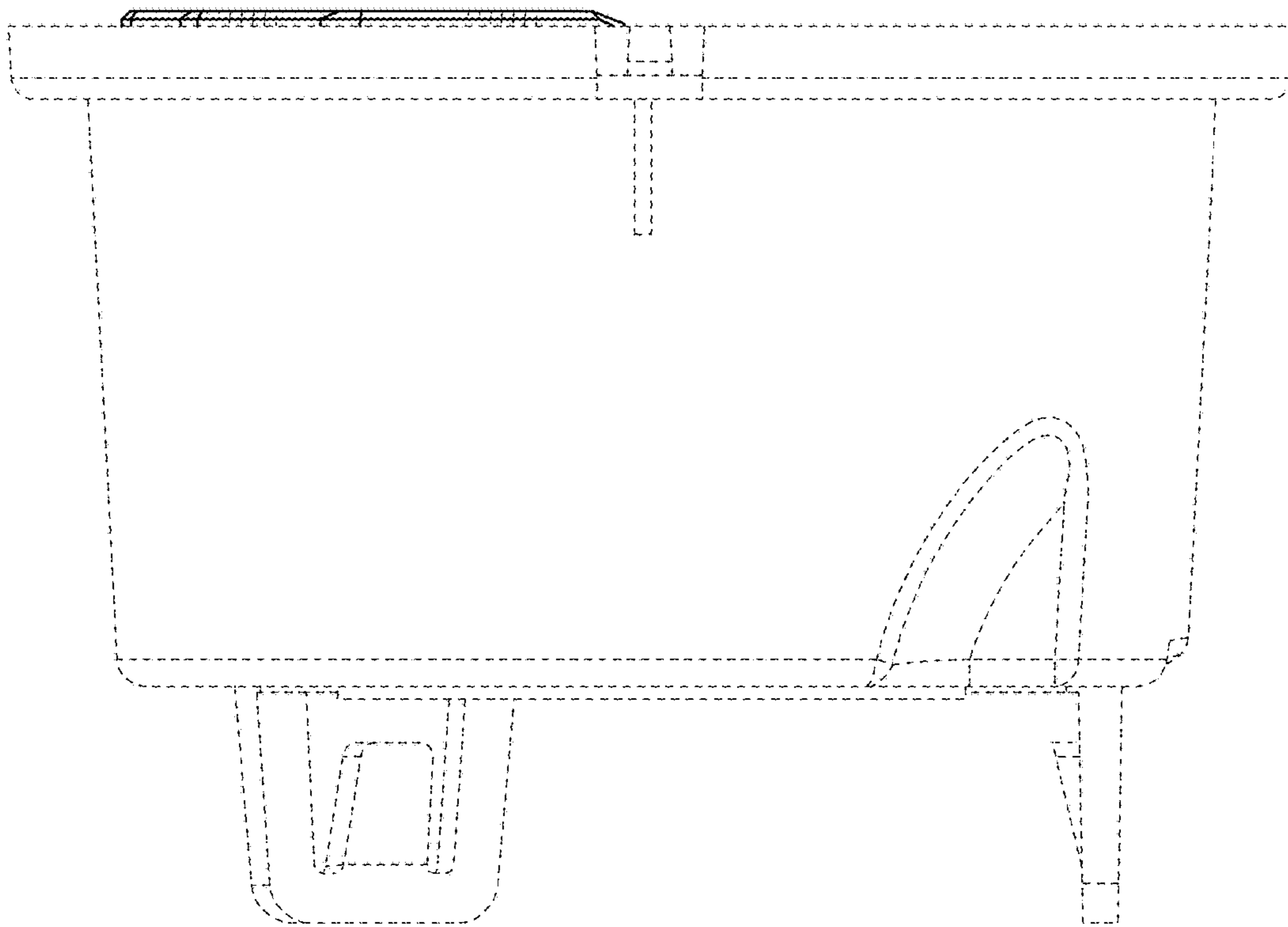


FIG. 3

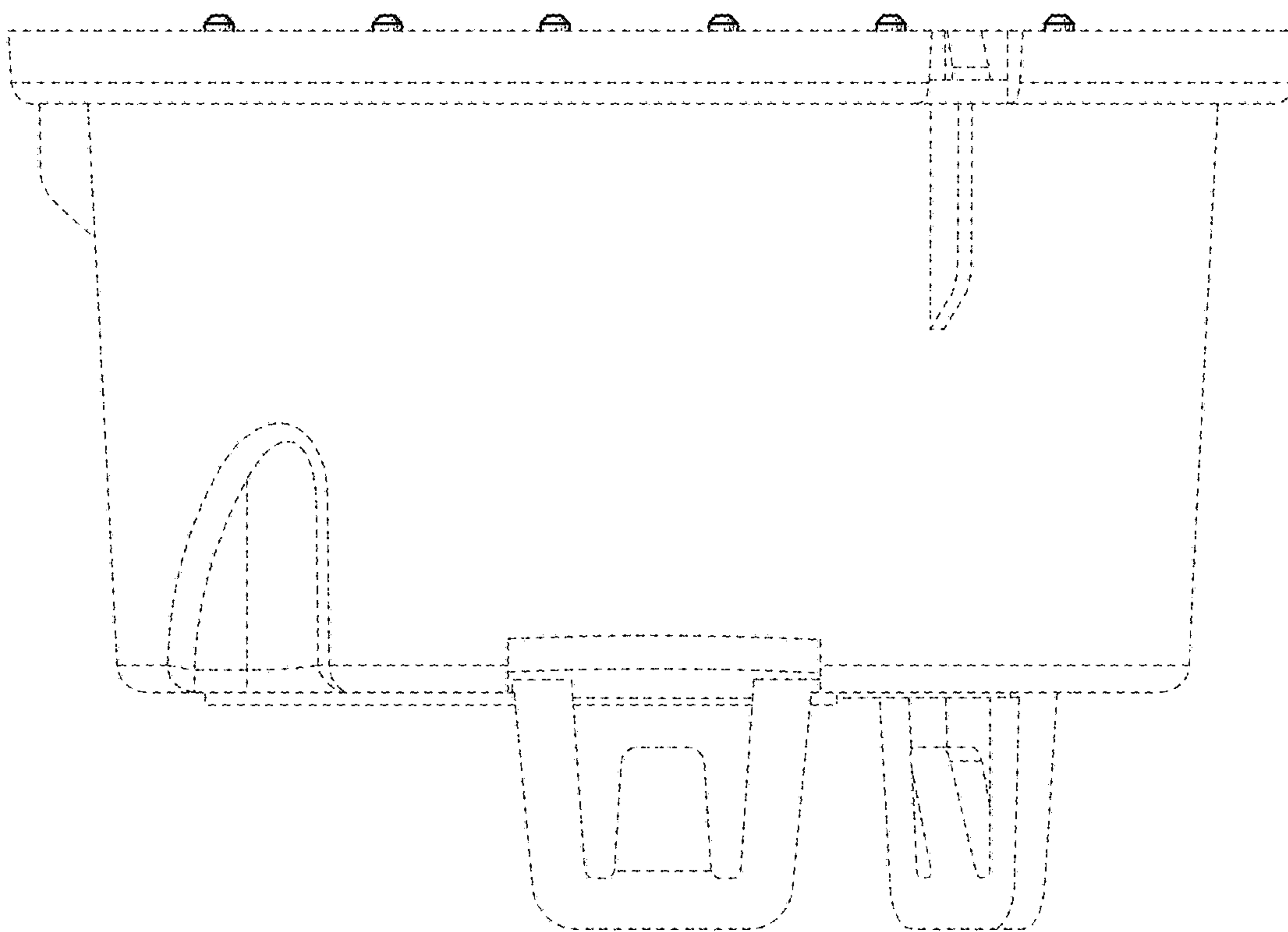


FIG. 4

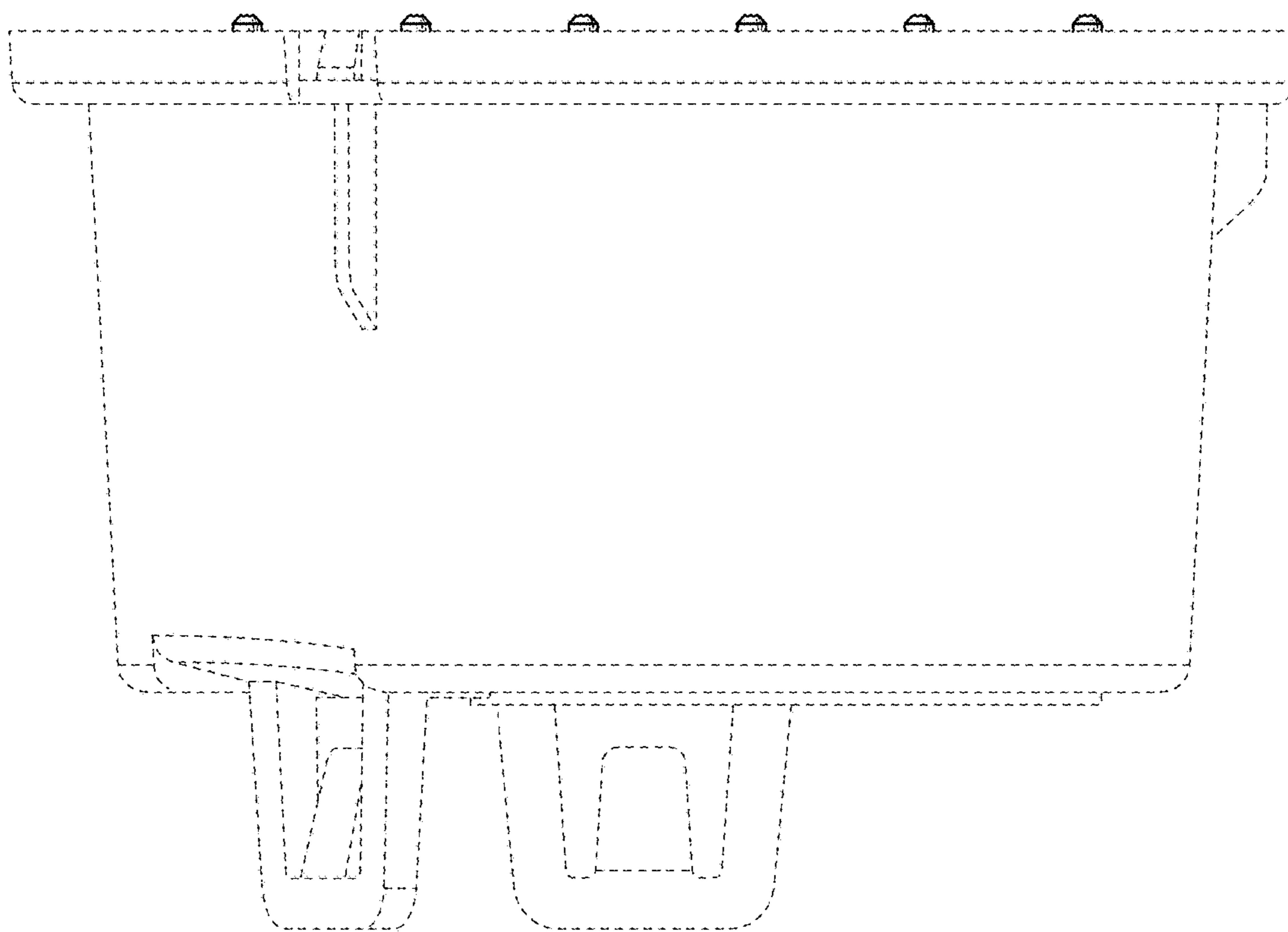


FIG. 5

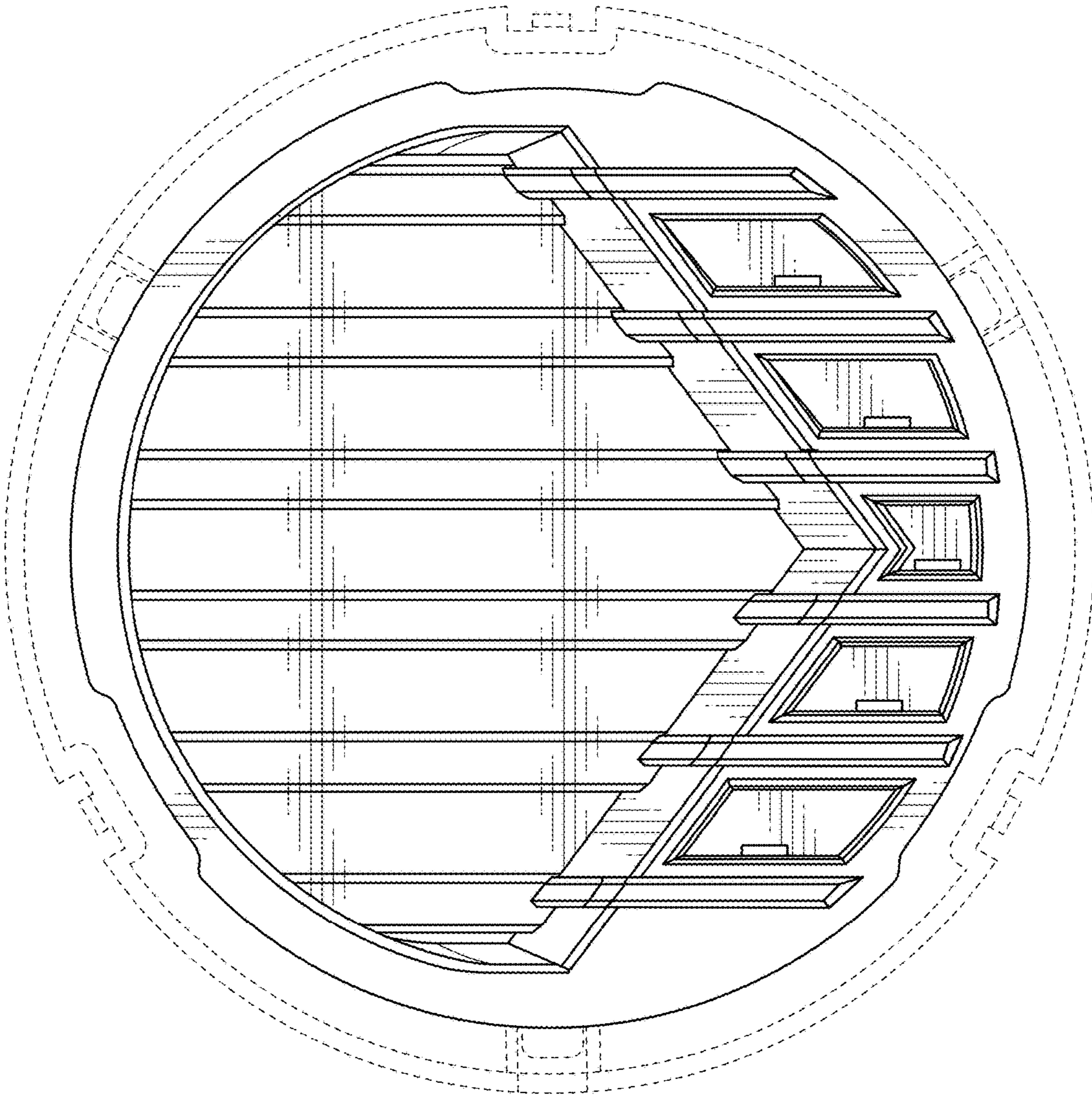


FIG. 6

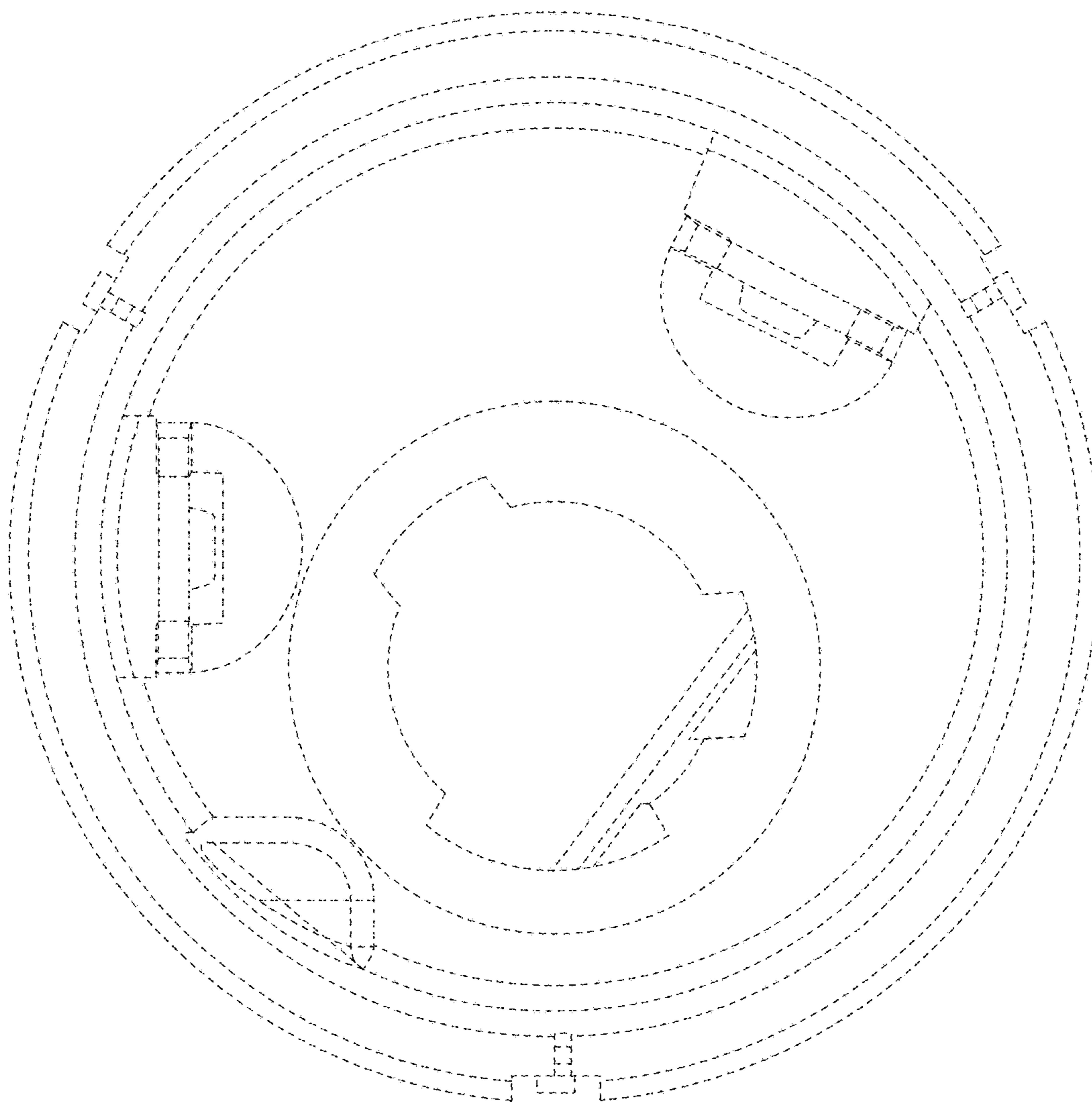


FIG. 7