



US00D815324S

(12) **United States Design Patent**
Anderson et al.

(10) **Patent No.:** **US D815,324 S**
(45) **Date of Patent:** **** Apr. 10, 2018**

- (54) **REAR LAMP FOR A VEHICLE**
- (71) Applicant: **Volvo Lastvagnar AB**, Göteborg (SE)
- (72) Inventors: **Ian Anderson**, Greensboro, NC (US);
Jason Dabel, Greensboro, NC (US);
Jeff Cotner, Greensboro, NC (US)
- (73) Assignee: **VOLVO LASTVAGNAR AB**,
Göteborg (SE)
- (**) Term: **15 Years**
- (21) Appl. No.: **29/600,042**
- (22) Filed: **Apr. 10, 2017**
- (51) **LOC (11) Cl.** **26-06**
- (52) **U.S. Cl.**
USPC **D26/28**
- (58) **Field of Classification Search**
USPC D26/28-36; 362/80-83, 267-269,
362/459-468, 475-478, 485-487
CPC F21S 48/00; F21S 48/10; F21S 48/115;
F21S 48/225; F21S 48/1233; F21S
48/1266; F21S 48/1388; F21S 48/2268;
F21V 21/04
See application file for complete search history.

- D727,547 S * 4/2015 Ha D26/28
- D737,485 S * 8/2015 Lai D26/28
- D744,131 S * 11/2015 Weil D26/28
- D760,410 S * 6/2016 Arroba D26/28
- D769,485 S * 10/2016 Morikawa D26/28

OTHER PUBLICATIONS

Images of Volvo VNL Truck, released 2002, 2 pages.

* cited by examiner

Primary Examiner — Marcus Jackson

(74) *Attorney, Agent, or Firm* — Tucker Ellis LLP

(57) **CLAIM**

The ornamental design for a rear light for vehicle, as shown and described.

DESCRIPTION

FIG. 1 is a perspective view of a rear light for vehicle showing our new design.

FIG. 2 is a front view thereof.

FIG. 3 is a rear view thereof.

FIG. 4 is a right side view thereof.

FIG. 5 is a left side view thereof.

FIG. 6 is a top view thereof; and,

FIG. 7 is a bottom view thereof.

The de-emphasized portions shown in the drawings illustrate environmental structure for a light for vehicle that form no part of the claimed design.

(56) **References Cited**

U.S. PATENT DOCUMENTS

- D720,484 S * 12/2014 Nordmann D26/28
- D720,872 S * 1/2015 Lim D26/28

1 Claim, 4 Drawing Sheets

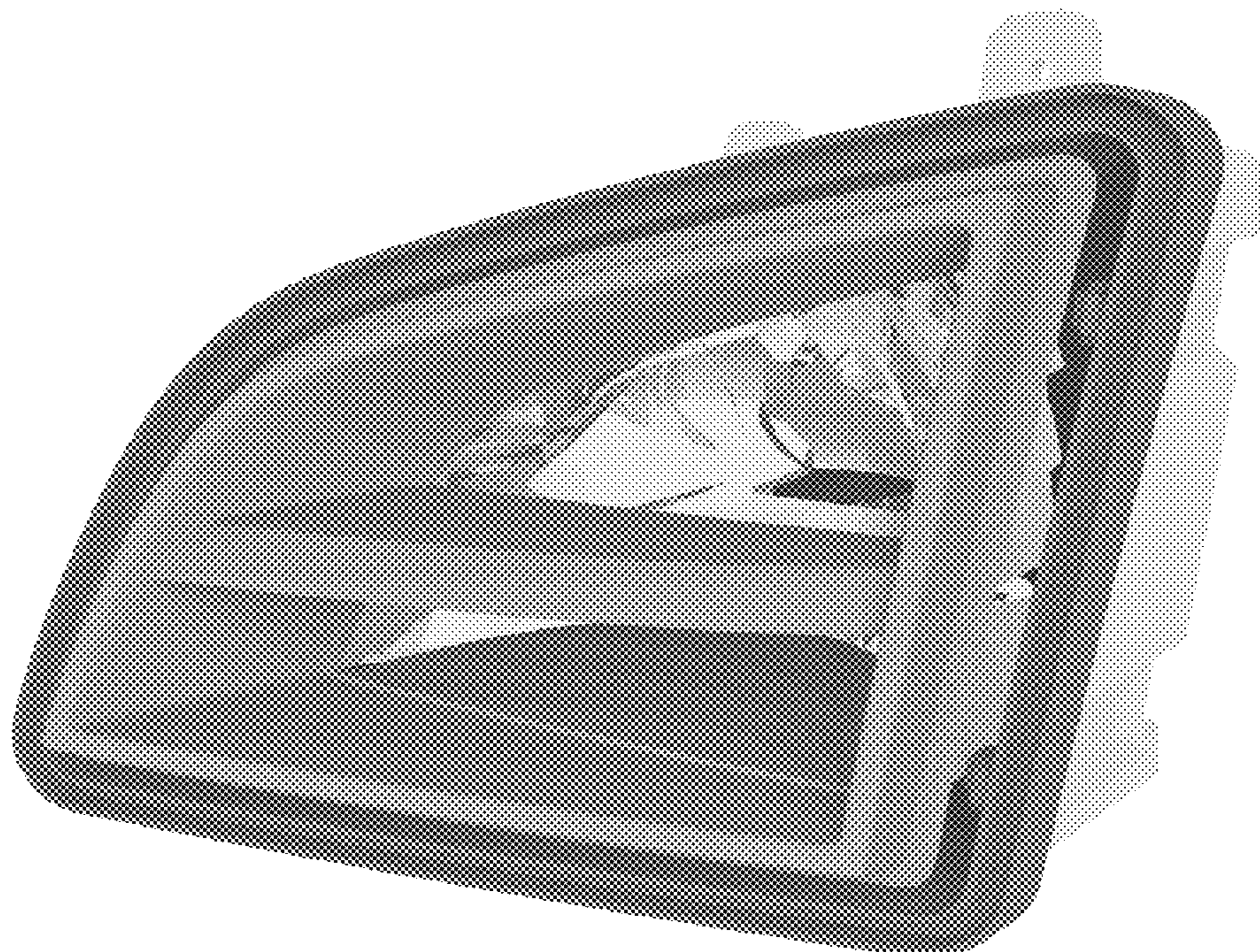




FIG. 1

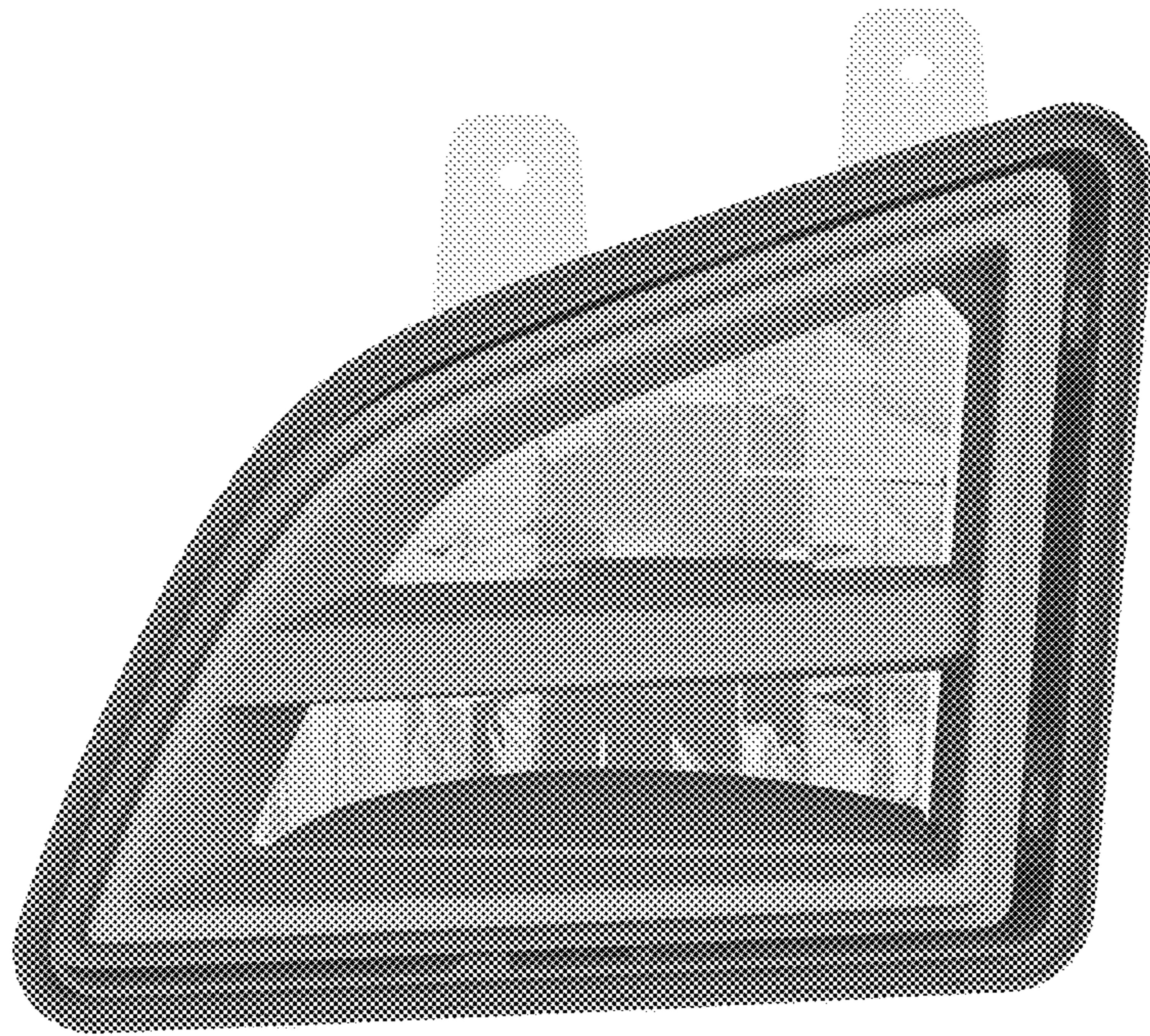


FIG. 2

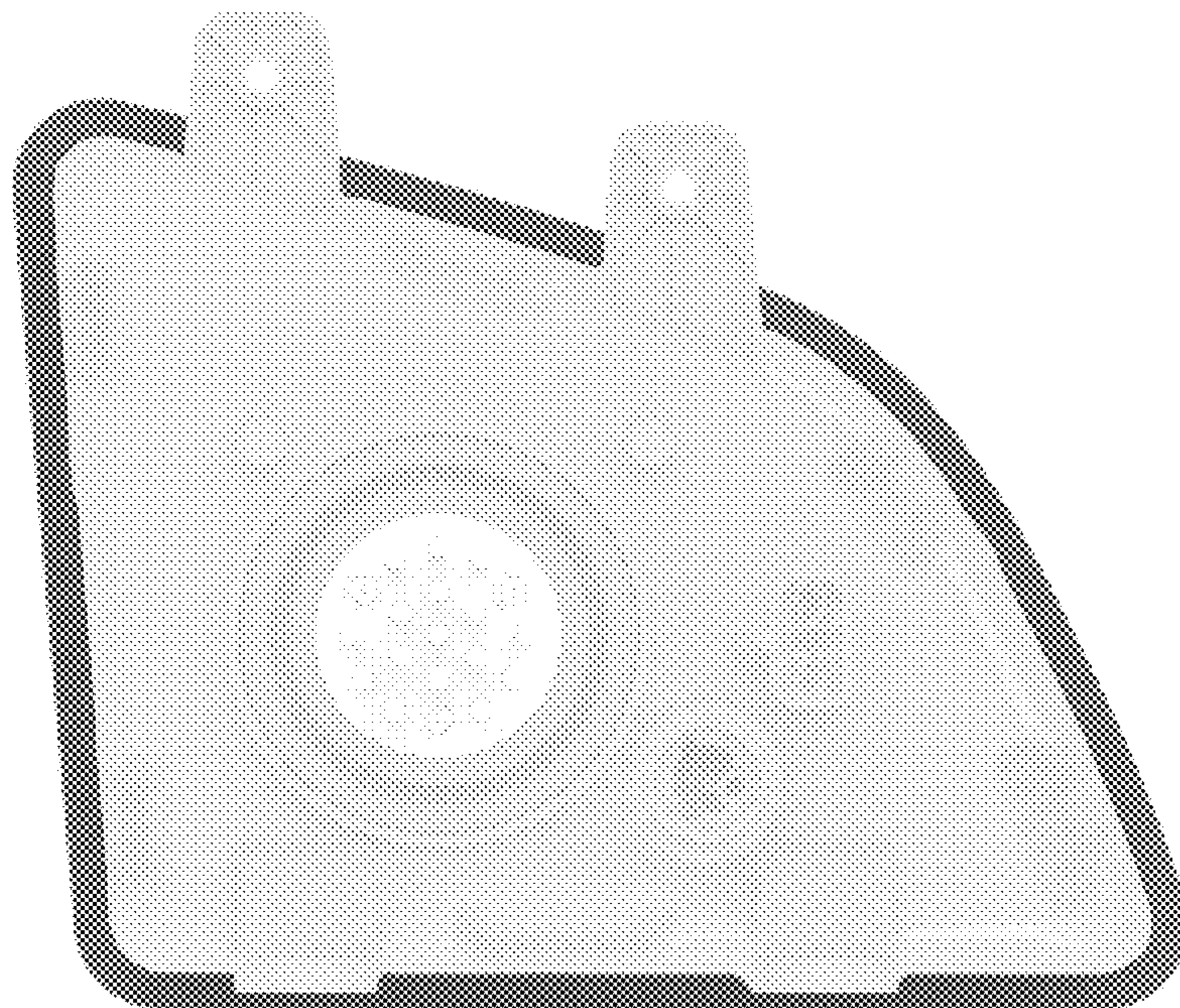


FIG. 3

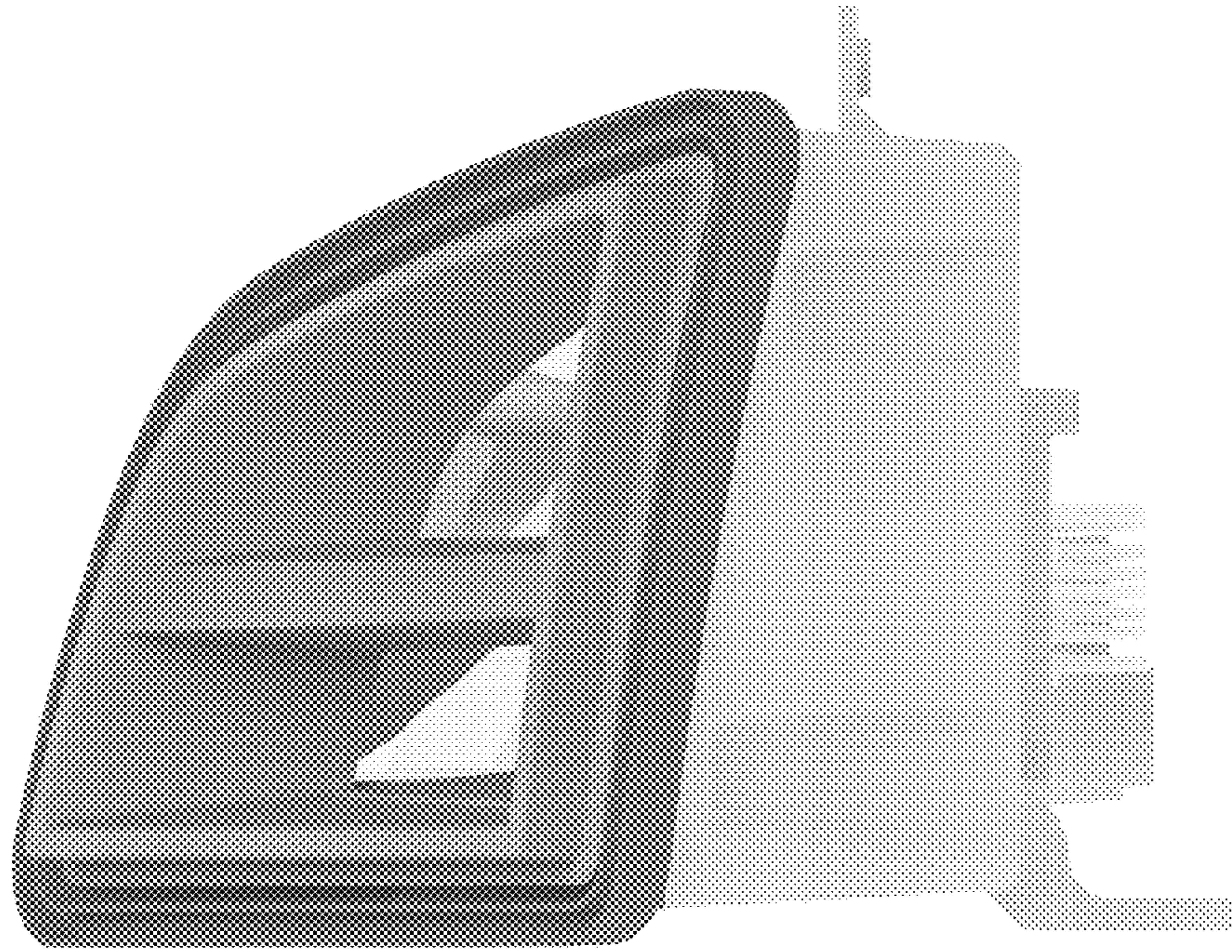


FIG. 4

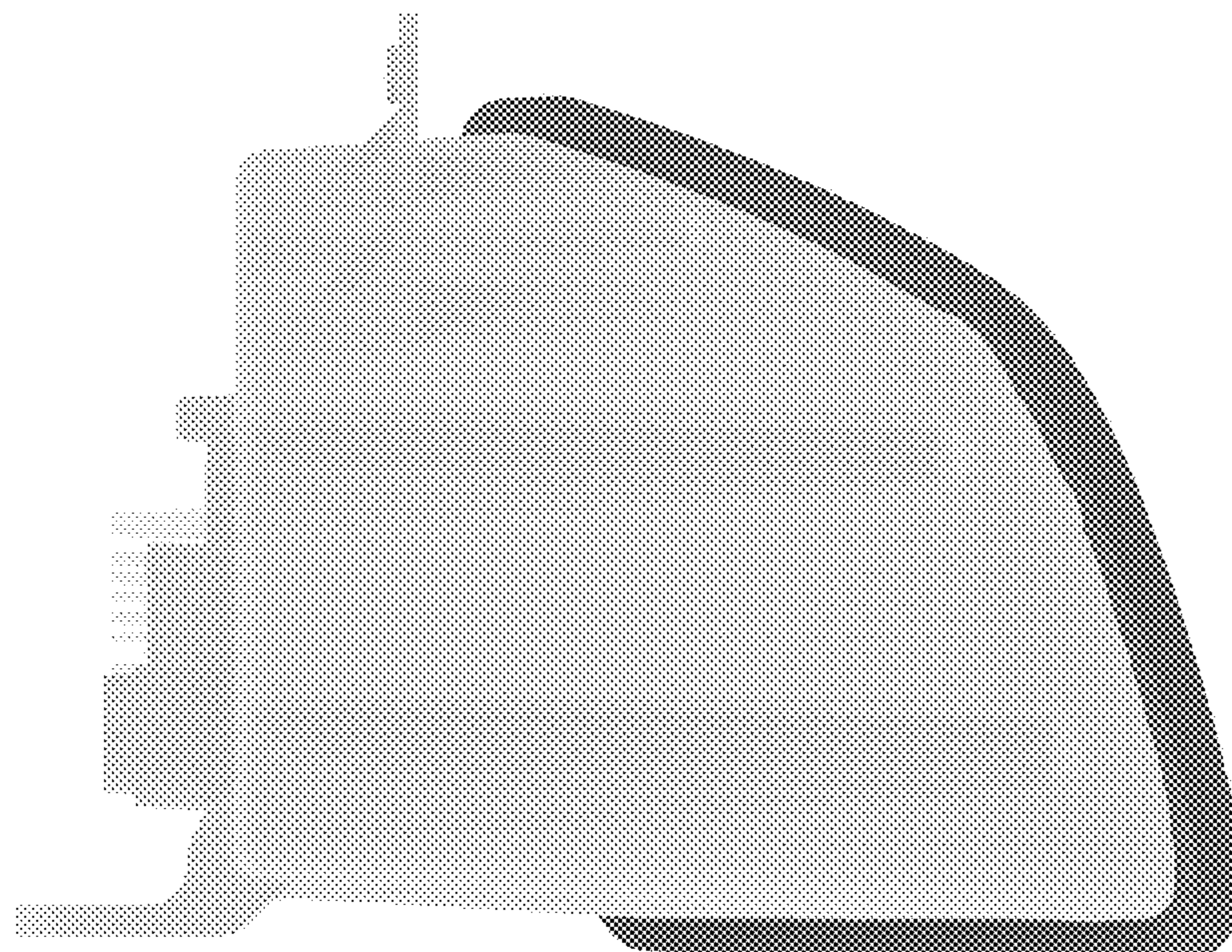


FIG. 5

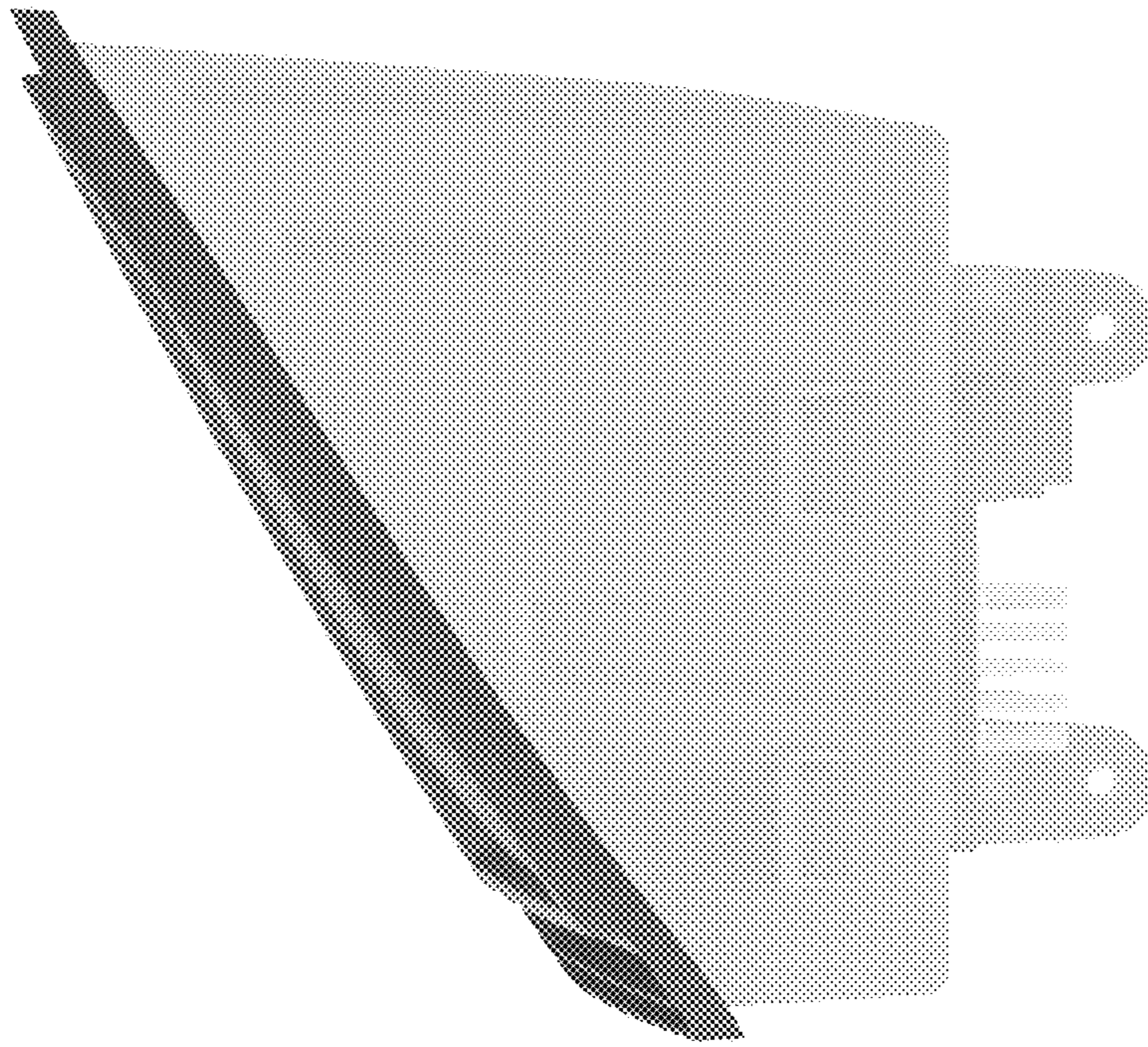


FIG. 6

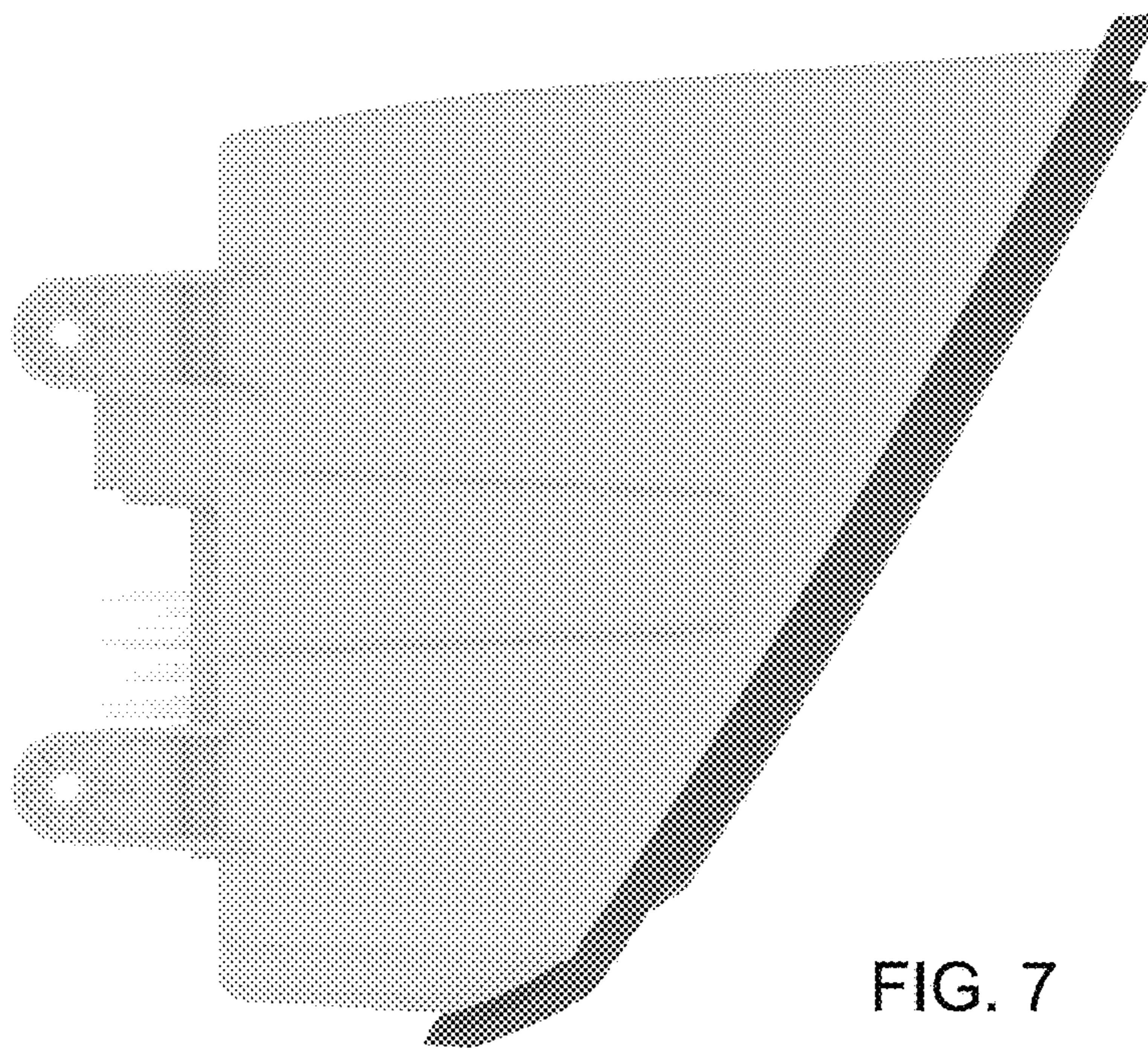


FIG. 7