



US00D815319S

(12) **United States Design Patent**
Tanaka

(10) **Patent No.:** **US D815,319 S**
(45) **Date of Patent:** **** Apr. 10, 2018**

(54) **HEADLAMP FOR AN AUTOMOBILE**

FOREIGN PATENT DOCUMENTS

(71) Applicant: **Nissan Motor Co., Ltd.**, Yokohama,
Kanagawa (JP)

JP D1360183 S 5/2009
JP D1416242 S 6/2011

(Continued)

(72) Inventor: **Satoshi Tanaka**, Kanagawa (JP)

Primary Examiner — Marcus Jackson

(73) Assignee: **Nissan Motor Co., Ltd.**, Yokohama
(JP)

(57) **CLAIM**

The ornamental design for a headlamp for an automobile, as shown and described.

(**) Term: **15 Years**

(21) Appl. No.: **29/584,453**

DESCRIPTION

(22) Filed: **Nov. 15, 2016**

(30) **Foreign Application Priority Data**

May 16, 2016 (JP) 2016-010311

(51) **LOC (11) Cl.** **26-06**

(52) **U.S. Cl.**
USPC **D26/28**

(58) **Field of Classification Search**

USPC D26/28-36; 362/80-83, 267-269,
362/459-468, 459-468, 475-478,
362/485-487

CPC B60Q 1/02; B60Q 1/04; F21S 48/00; F21S
48/10; F21S 48/115; F21S 48/1233; F21S
48/1266; F21S 48/1388; F21S 48/2268;
F21V 21/04

See application file for complete search history.

FIG. 1 is an outside elevational view of a headlamp for an automobile in accordance with a first embodiment of our new design;

FIG. 2 is an inside elevational view thereof;

FIG. 3 is a top plan view thereof;

FIG. 4 is a bottom plan view thereof;

FIG. 5 is a front side elevational view thereof;

FIG. 6 is a rear side elevational view thereof; and,

FIG. 7 is a front side perspective view thereof.

The headlamp is configured to be mounted to an automobile. The mounting structure and support structure of the headlamp, shown in broken lines in FIGS. 1 to 7, form no part of the claimed design since the mounting structure and support structure are hidden when the headlamp is mounted to the automobile.

In addition, the appearance of the rear side structures and inside structures of the headlamp as shown in broken lines in FIGS. 1 to 7 is for purpose of illustrating the boundaries of the exterior surface of the outside of the headlamp, and forms no part of the claimed design. The headlamp has a front lens that is transparent such that features behind the lens are at least partially visible as illustrated.

A second embodiment of our new design is identical to the first embodiment. The second embodiment of our new design includes the mirror image of the headlamp shown in FIGS. 1 to 7.

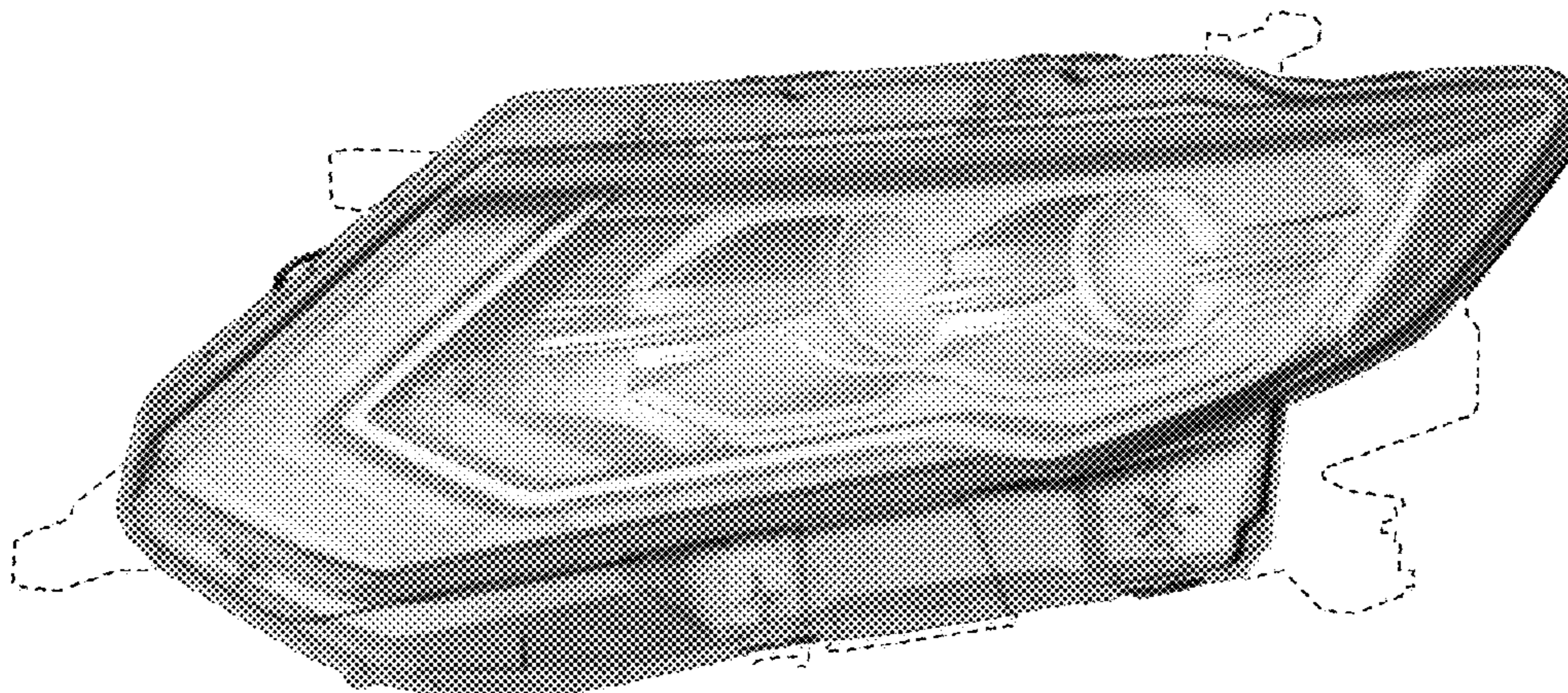
(56) **References Cited**

U.S. PATENT DOCUMENTS

D474,290 S * 5/2003 Sawai D26/28
D528,231 S * 9/2006 Ikeda D26/28
D528,686 S * 9/2006 Kato D26/28
D529,208 S * 9/2006 Ikeda D26/28
D549,858 S * 8/2007 Pfeiffer D26/28
D552,772 S * 10/2007 Davidson D26/28

(Continued)

1 Claim, 7 Drawing Sheets



(56)

References Cited

U.S. PATENT DOCUMENTS

D586,010 S * 2/2009 Saracoglu D26/28
 D592,332 S * 5/2009 Hsu D26/28
 D592,336 S * 5/2009 Hsu D26/28
 D675,759 S * 2/2013 Wada D26/28
 D677,813 S * 3/2013 Hanaoka D26/28

FOREIGN PATENT DOCUMENTS

JP D1417553 S 6/2011
 JP D1403155 S 12/2011
 JP D1447495 S 7/2012
 JP D1452256 S 10/2012
 JP D1452383 S 10/2012
 JP D1455119 S 11/2012
 JP D1455398 S 11/2012
 JP D1455890 S 11/2012
 JP D1457889 S 12/2012
 JP D1483832 S 11/2013

JP D1458889 S 12/2013
 JP D1486678 S 12/2013
 JP D1490378 S 2/2014
 JP D1500452 S 6/2014
 JP D1508112 S 9/2014
 JP D1508645 S 10/2014
 JP D1511245 S 11/2014
 JP D1511272 S 11/2014
 JP D1511433 S 11/2014
 JP D1517664 S 2/2015
 JP D1526235 S 6/2015
 JP D1526533 S 6/2015
 JP D1526534 S 6/2015
 JP D1538025 S 11/2015
 JP D1538027 S 11/2015
 JP D1546167 S 3/2016
 JP D1551628 S 6/2016
 JP D1552069 S 6/2016
 JP D1555750 S 8/2016
 JP D1555919 S 8/2016

* cited by examiner

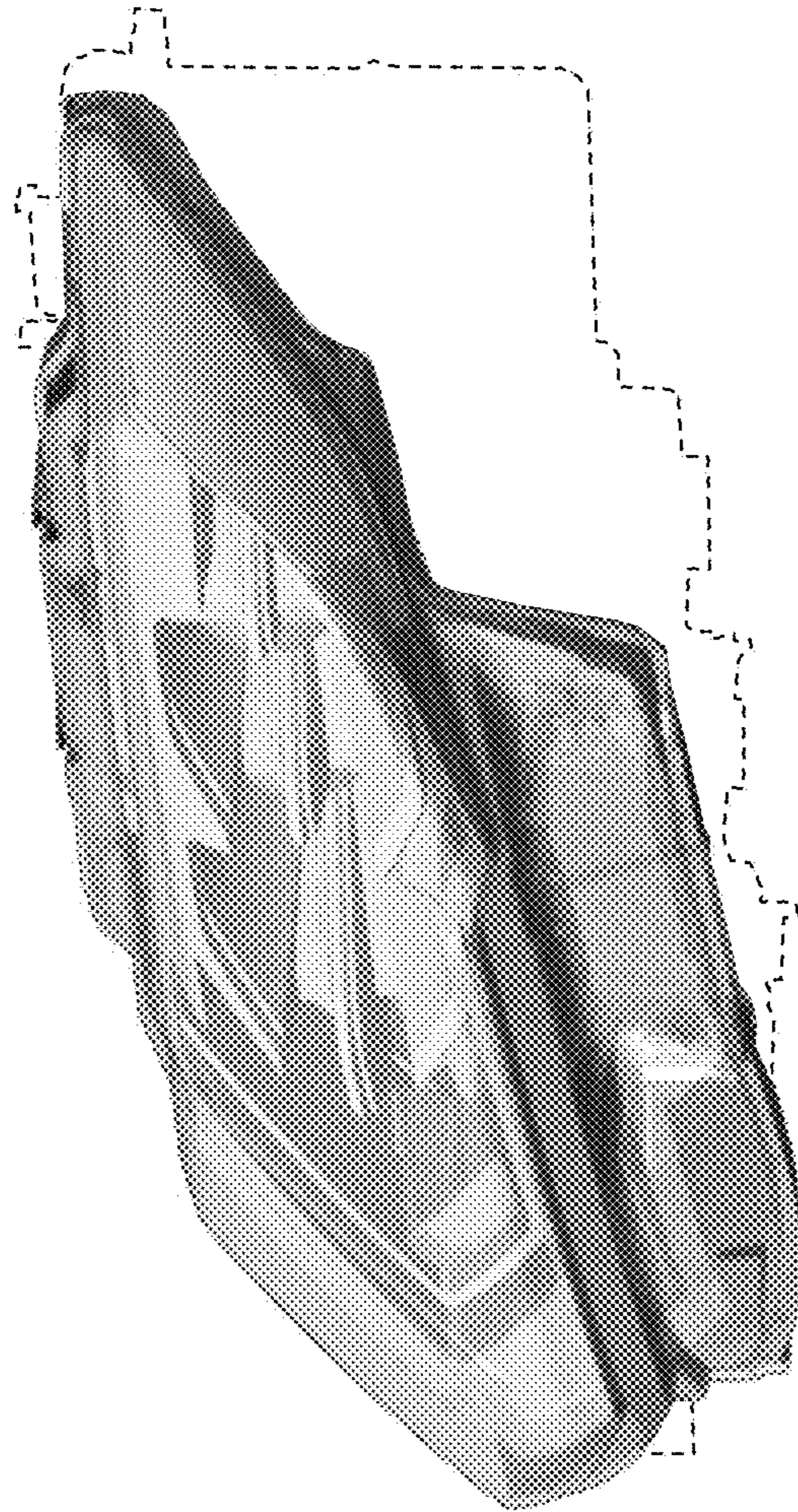


FIG. 1

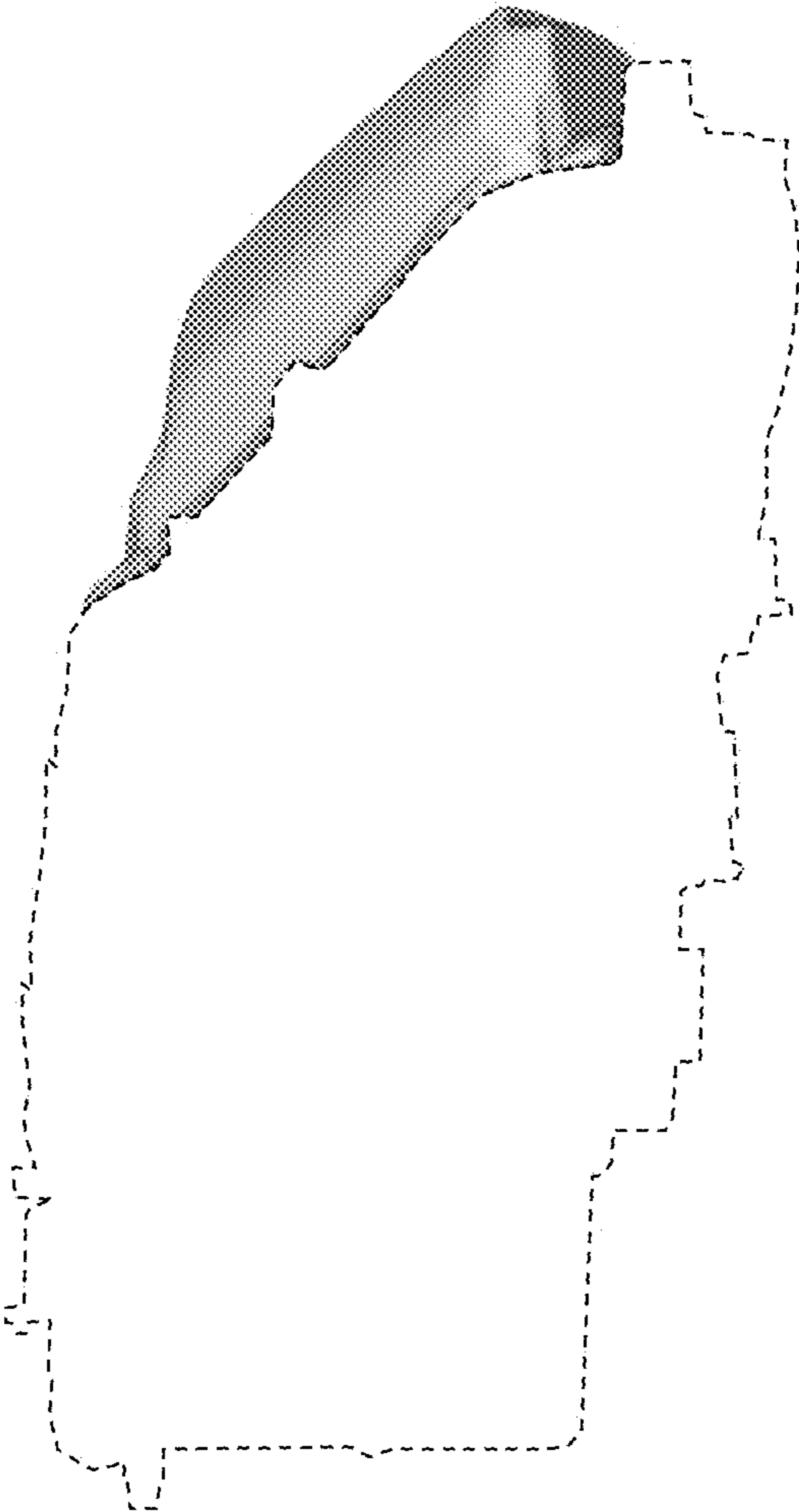


FIG. 2

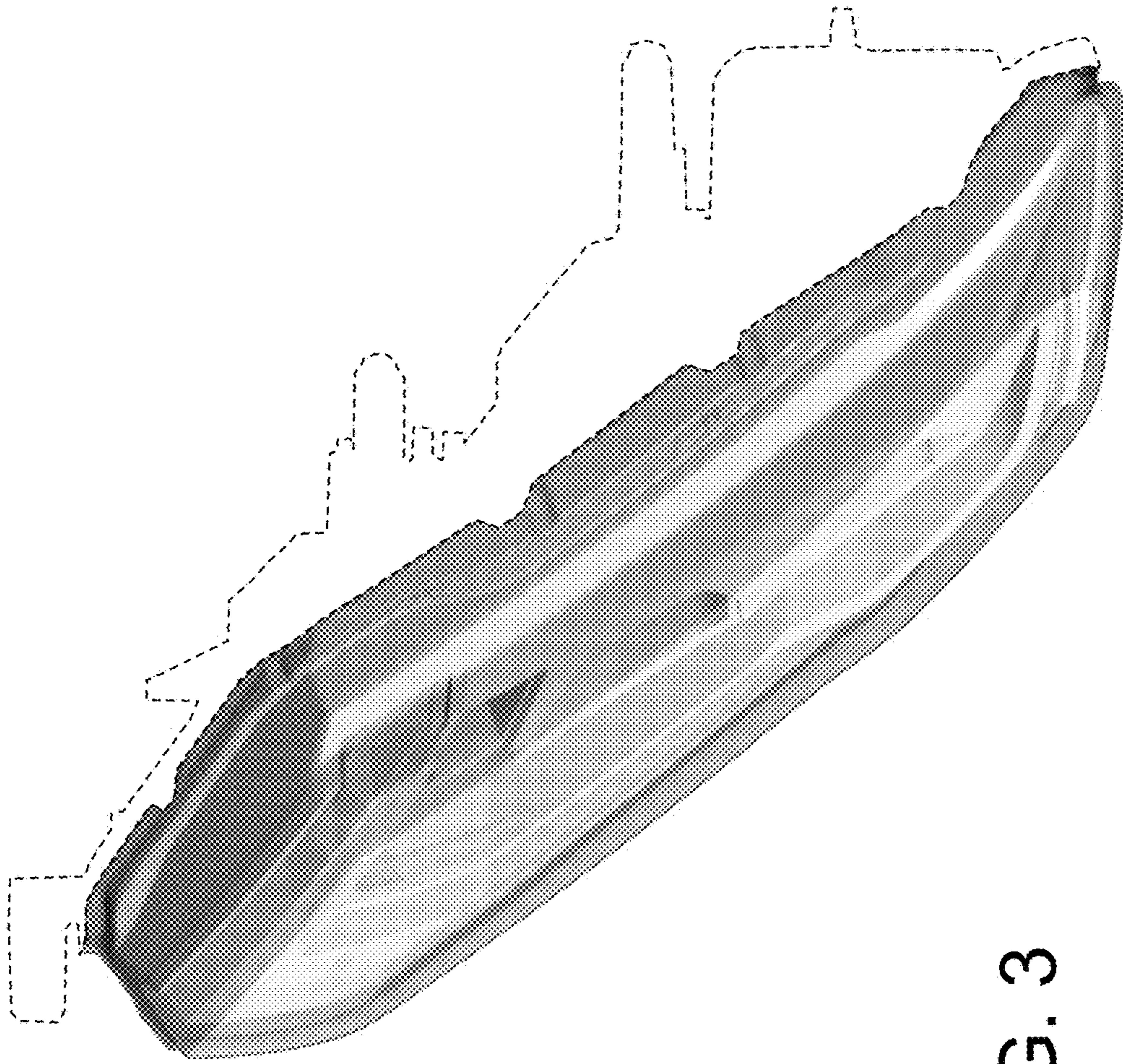


FIG. 3

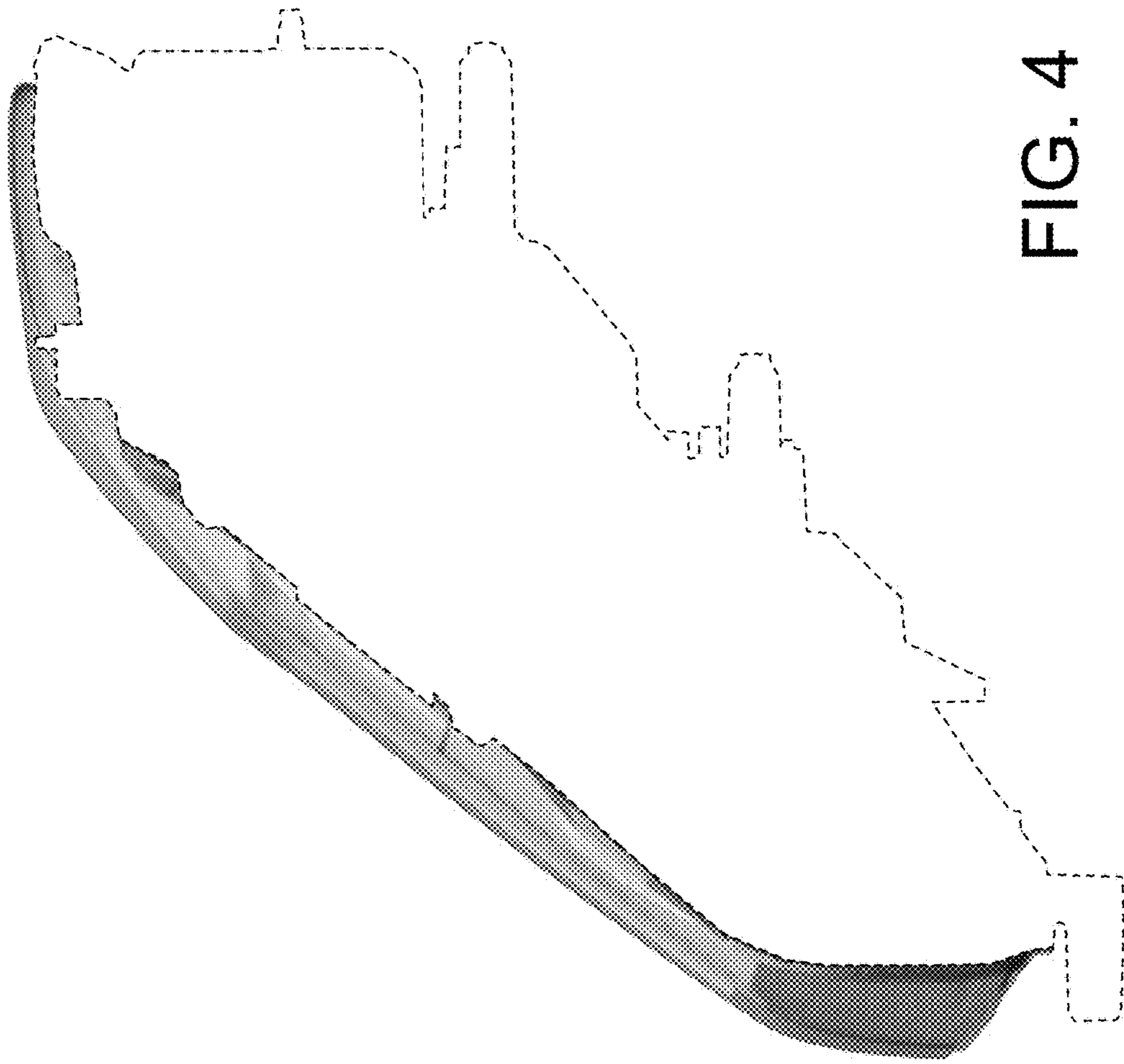


FIG. 4

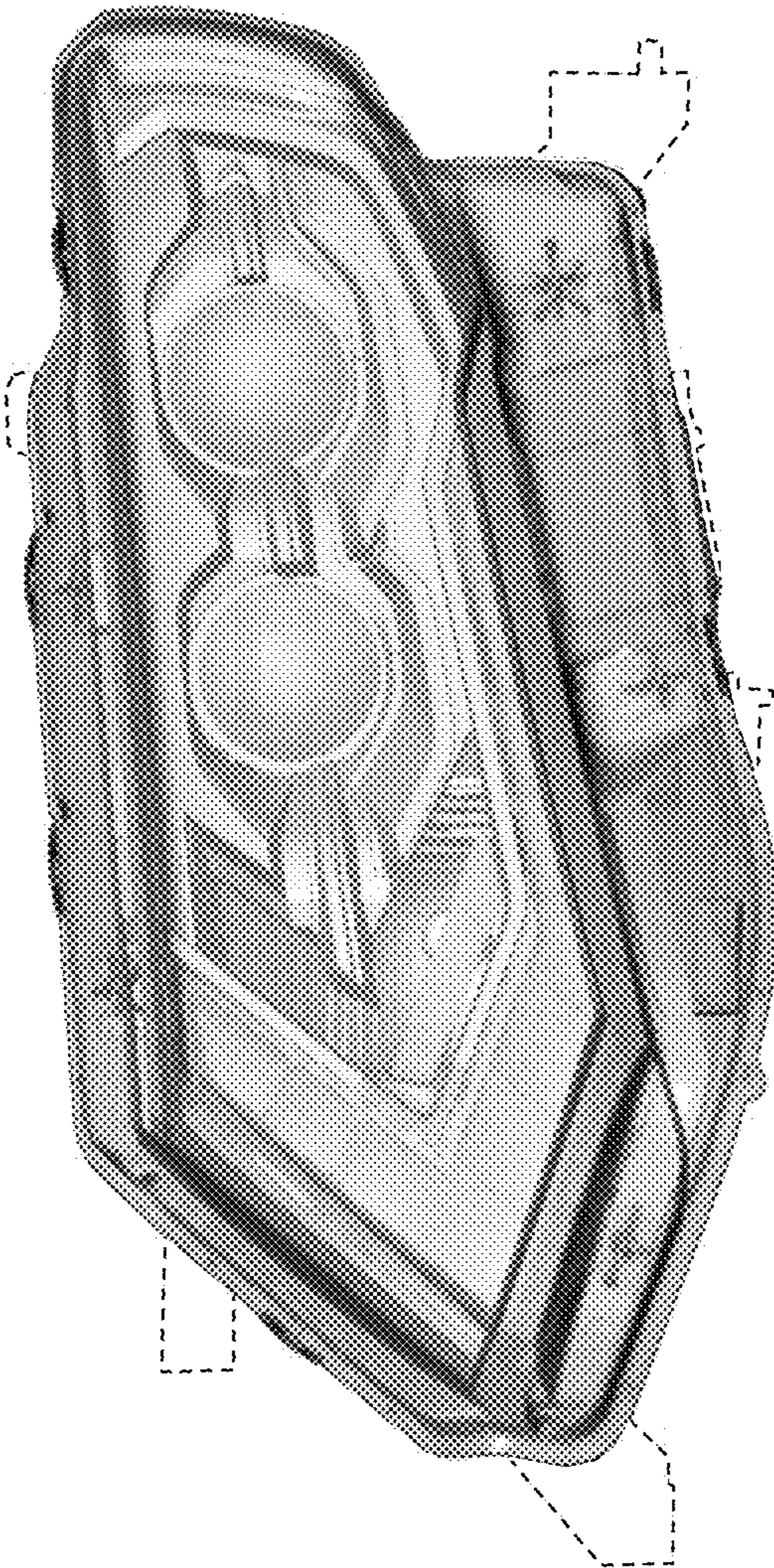


FIG. 5

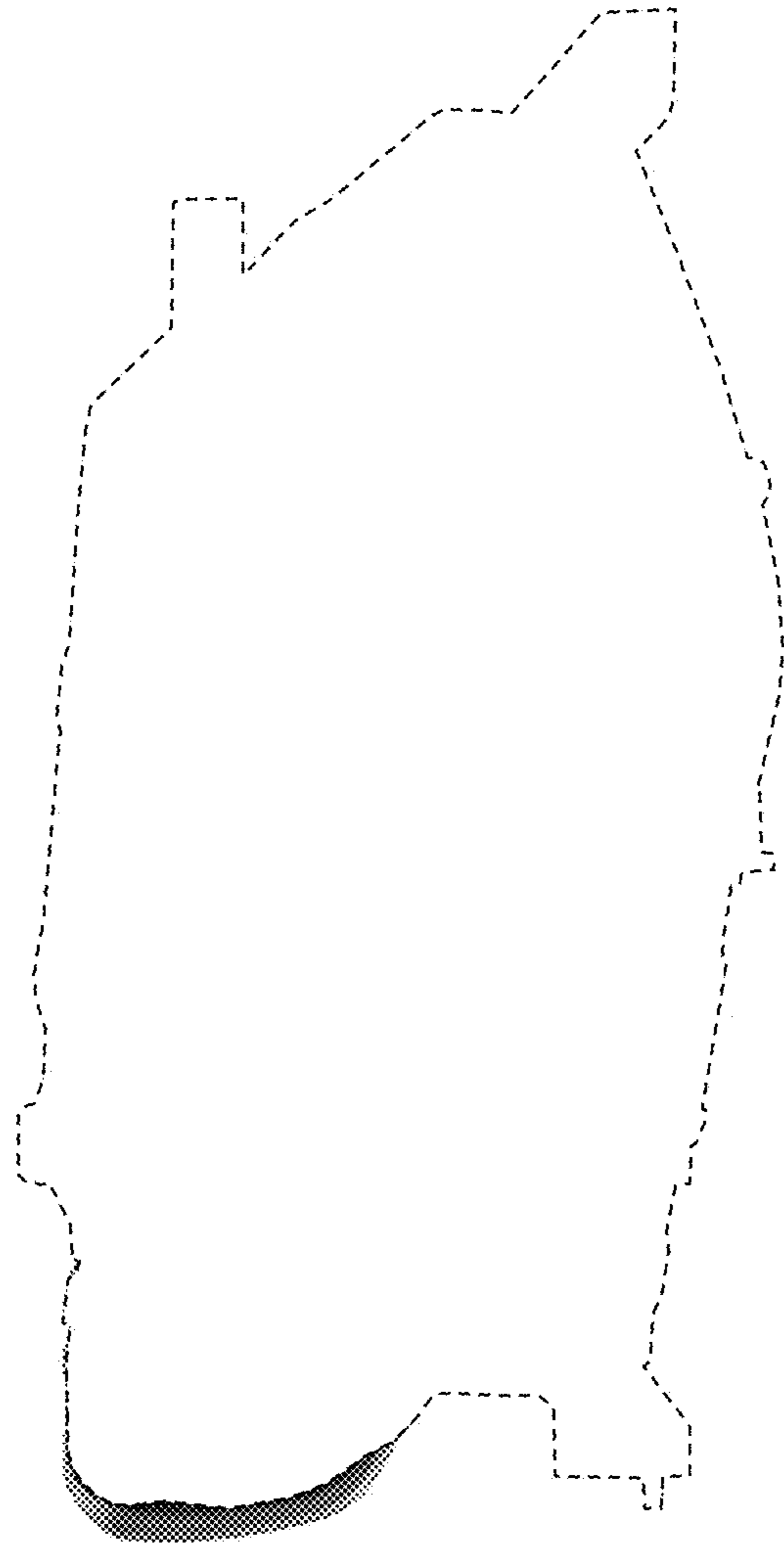


FIG. 6

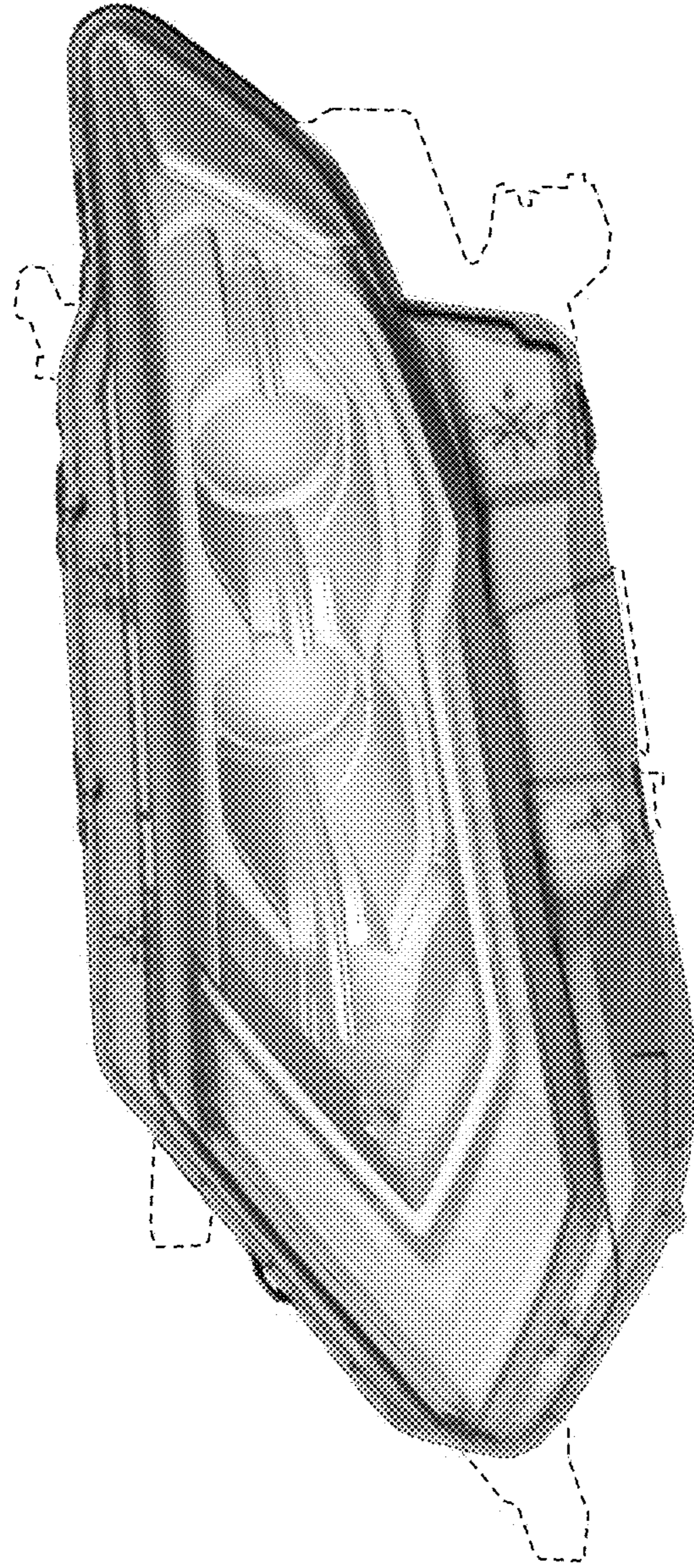


FIG. 7