



US00D815318S

(12) **United States Design Patent**
LaMarche et al.

(10) **Patent No.:** **US D815,318 S**
(45) **Date of Patent:** **** Apr. 10, 2018**

(54) **LIGHT FIXTURE**

(71) Applicant: **JST Performance, LLC**, Gilbert, AZ
(US)

(72) Inventors: **Bradley J. LaMarche**, Gilbert, AZ
(US); **Johnathan J. Heiner**, Mesa, AZ
(US); **Edgar A. Madril**, Mesa, AZ
(US)

(73) Assignee: **JST Performance, LLC**, Gilbert, AZ
(US)

(**) Term: **15 Years**

(21) Appl. No.: **29/565,567**

(22) Filed: **May 23, 2016**

(51) **LOC (11) Cl.** **26-07**

(52) **U.S. Cl.**
USPC **D26/28**

(58) **Field of Classification Search**
USPC D26/28-36; 362/459-468, 475-478,
362/485-487
CPC F21S 48/00; F21S 48/10; F21S 48/115;
F21S 48/225; F21S 48/1233; F21S
48/1266; F21S 48/1388; F21S 48/2268;
F21V 21/04

See application file for complete search history.

(56) **References Cited**

U.S. PATENT DOCUMENTS

D643,955 S * 8/2011 Tsai D26/28
D675,758 S * 2/2013 Adams D26/28
D697,241 S * 1/2014 Chen D26/28

D704,363 S * 5/2014 Adams D26/28
D704,364 S * 5/2014 Adams D26/28
D704,365 S * 5/2014 Adams D26/28
D716,477 S * 10/2014 Chu D26/28
D718,478 S * 11/2014 Adams D26/28
D743,593 S * 11/2015 Yang D26/28
D761,482 S * 7/2016 Largent D26/118
D775,402 S * 12/2016 Sibitzky D26/118
D775,404 S * 12/2016 Adams D26/118

* cited by examiner

Primary Examiner — Angela J Lee

(57) **CLAIM**

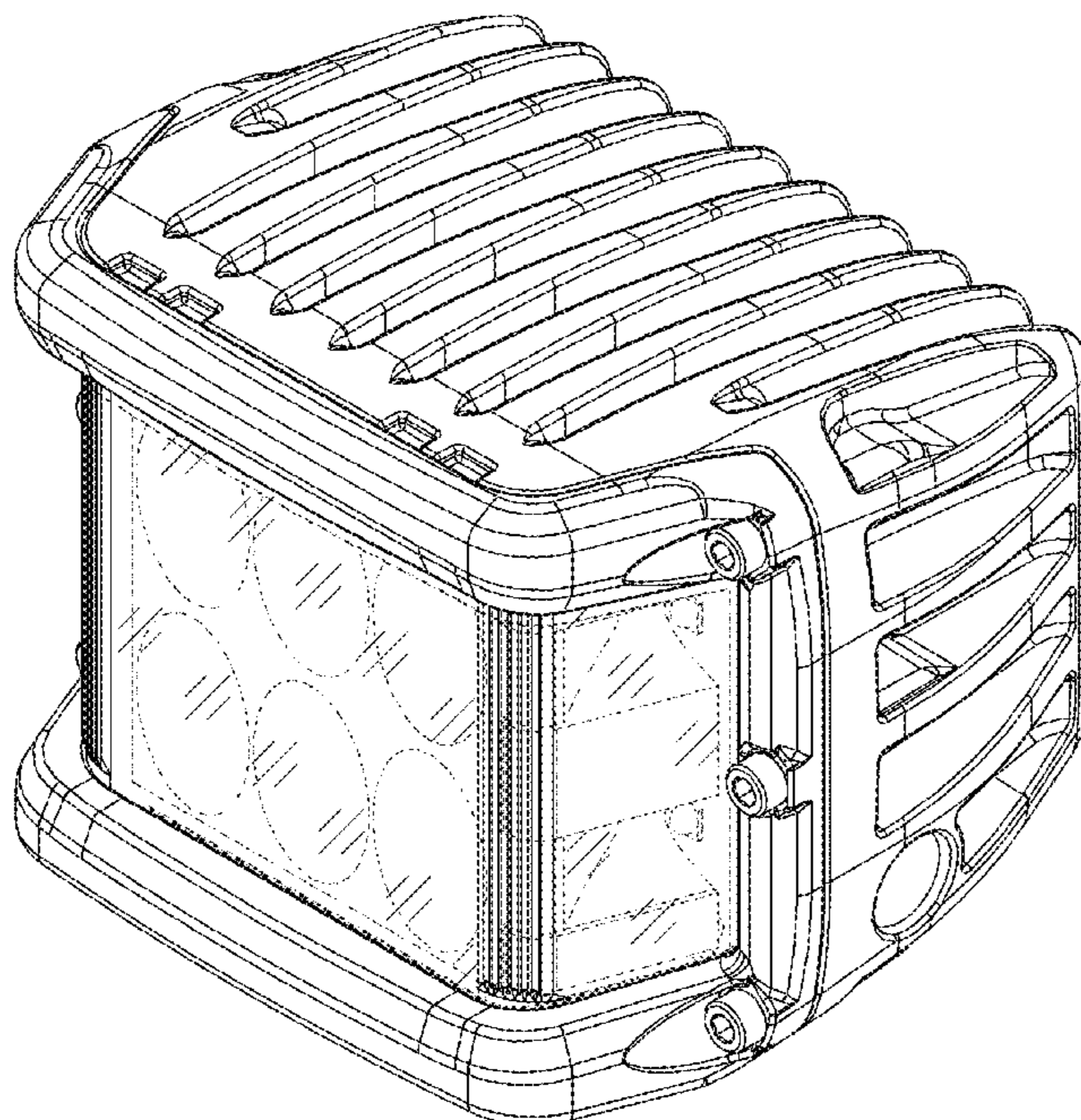
The ornamental design for a light fixture, as shown and described.

DESCRIPTION

FIG. 1 is a front, top, right, perspective view of the light fixture showing our new design;
FIG. 2 is a front, top, left, perspective view thereof;
FIG. 3 is a front, bottom, right, perspective view thereof;
FIG. 4 is a front, bottom, left, perspective view thereof;
FIG. 5 is a right side view thereof;
FIG. 6 is a front side view thereof; and
FIG. 7 is a left side view thereof;
FIG. 8 is a back side view thereof;
FIG. 9 is a back, top, right, perspective view thereof;
FIG. 10 is a back, top, left, perspective view thereof;
FIG. 11 is a back, bottom, right, perspective view thereof;
FIG. 12 is a back, bottom, left perspective view thereof;
FIG. 13 is a top view thereof; and,
FIG. 14 is a bottom view thereof.

The broken lines in the drawings illustrate portions of the light fixture which form no part of the claimed design.

1 Claim, 14 Drawing Sheets



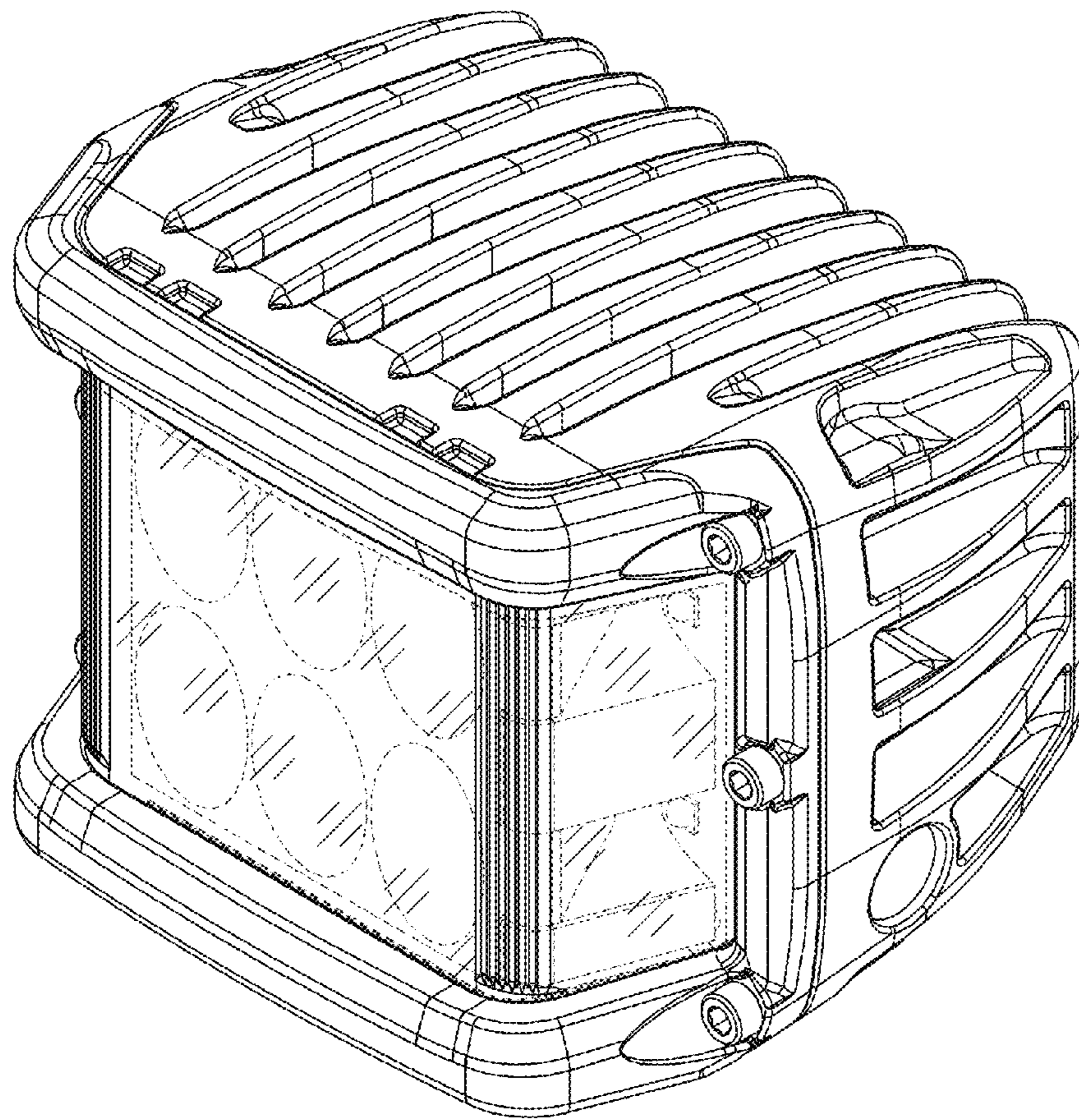


FIG. 1

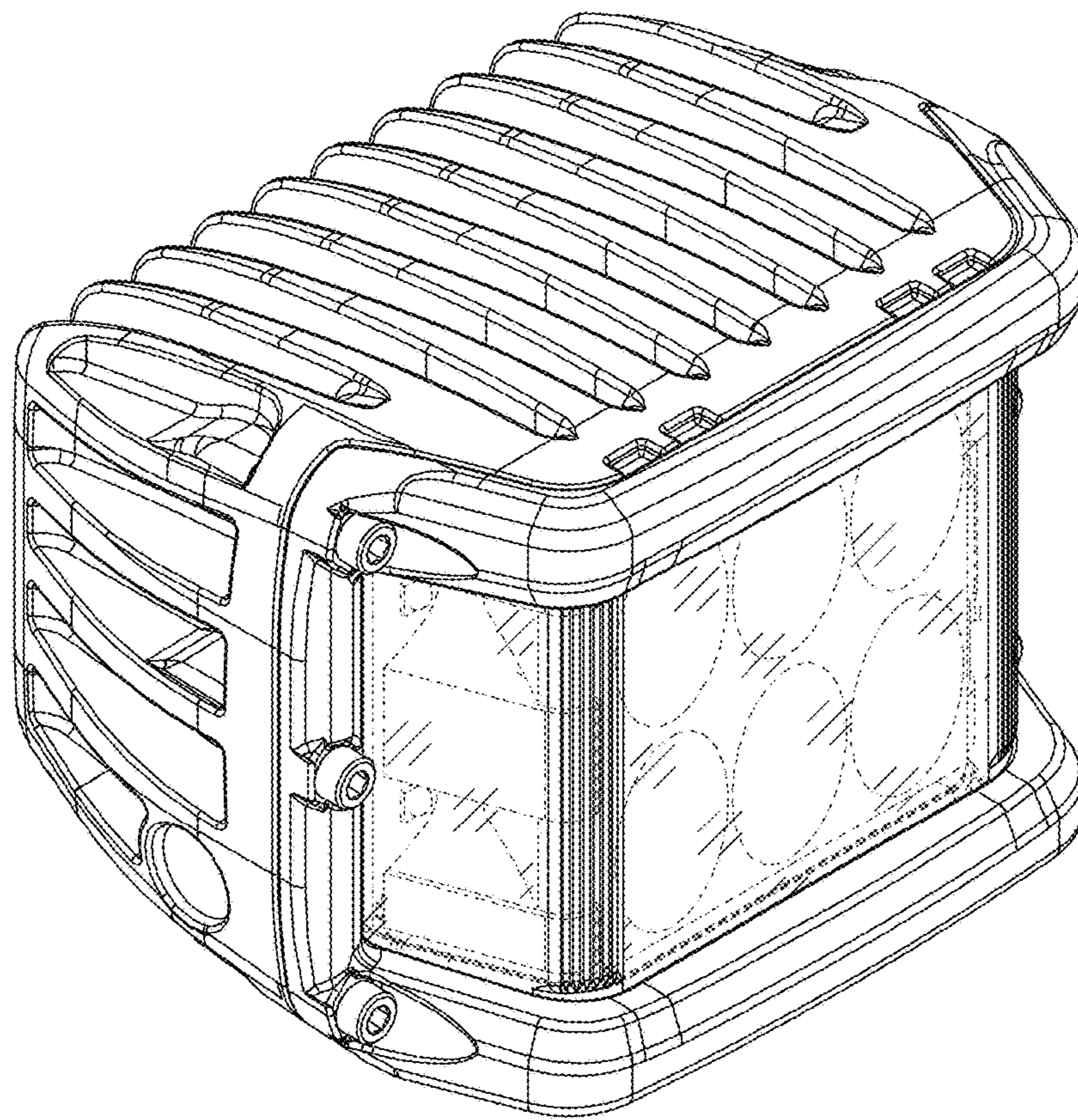


FIG. 2

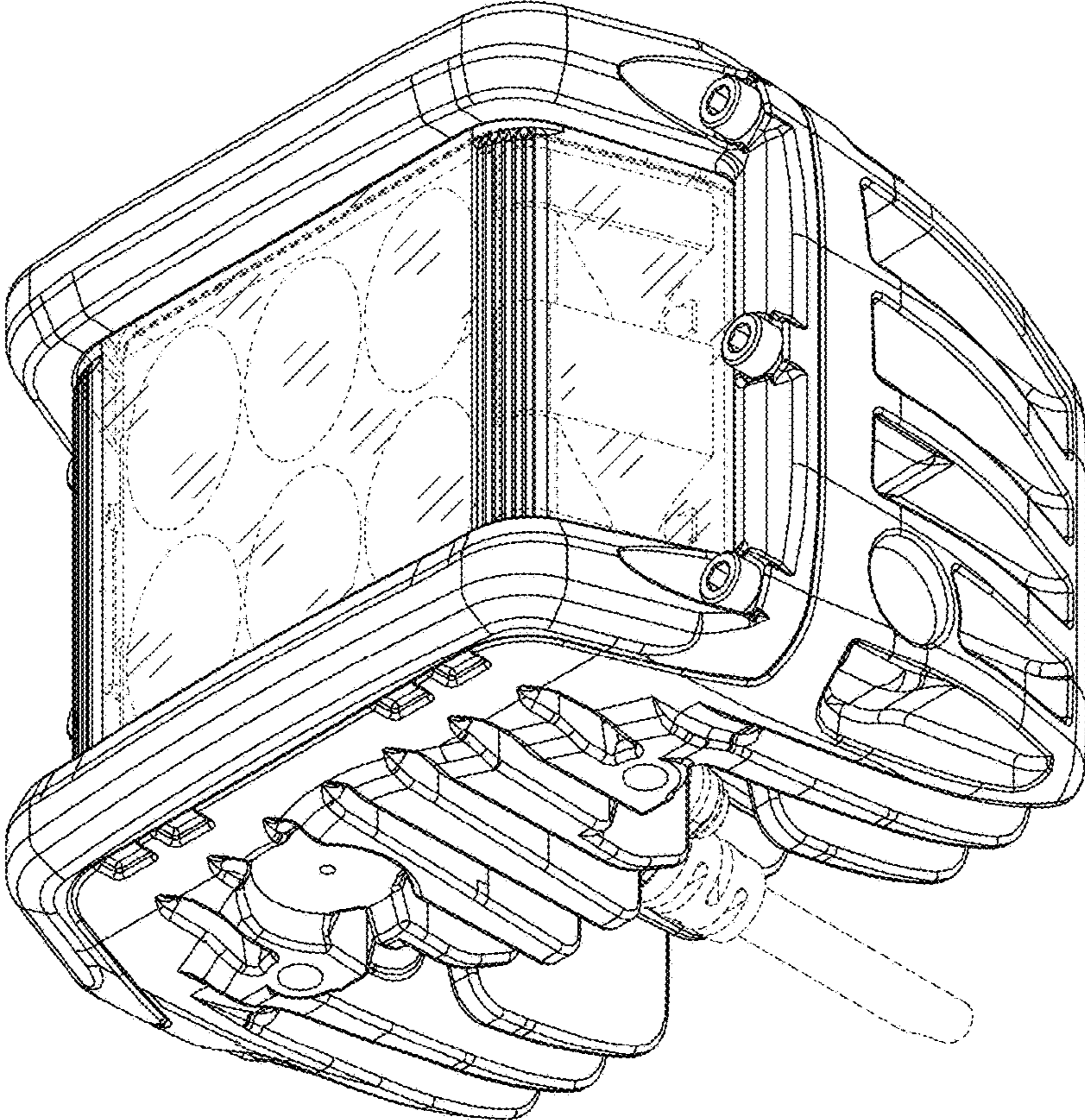


FIG. 3

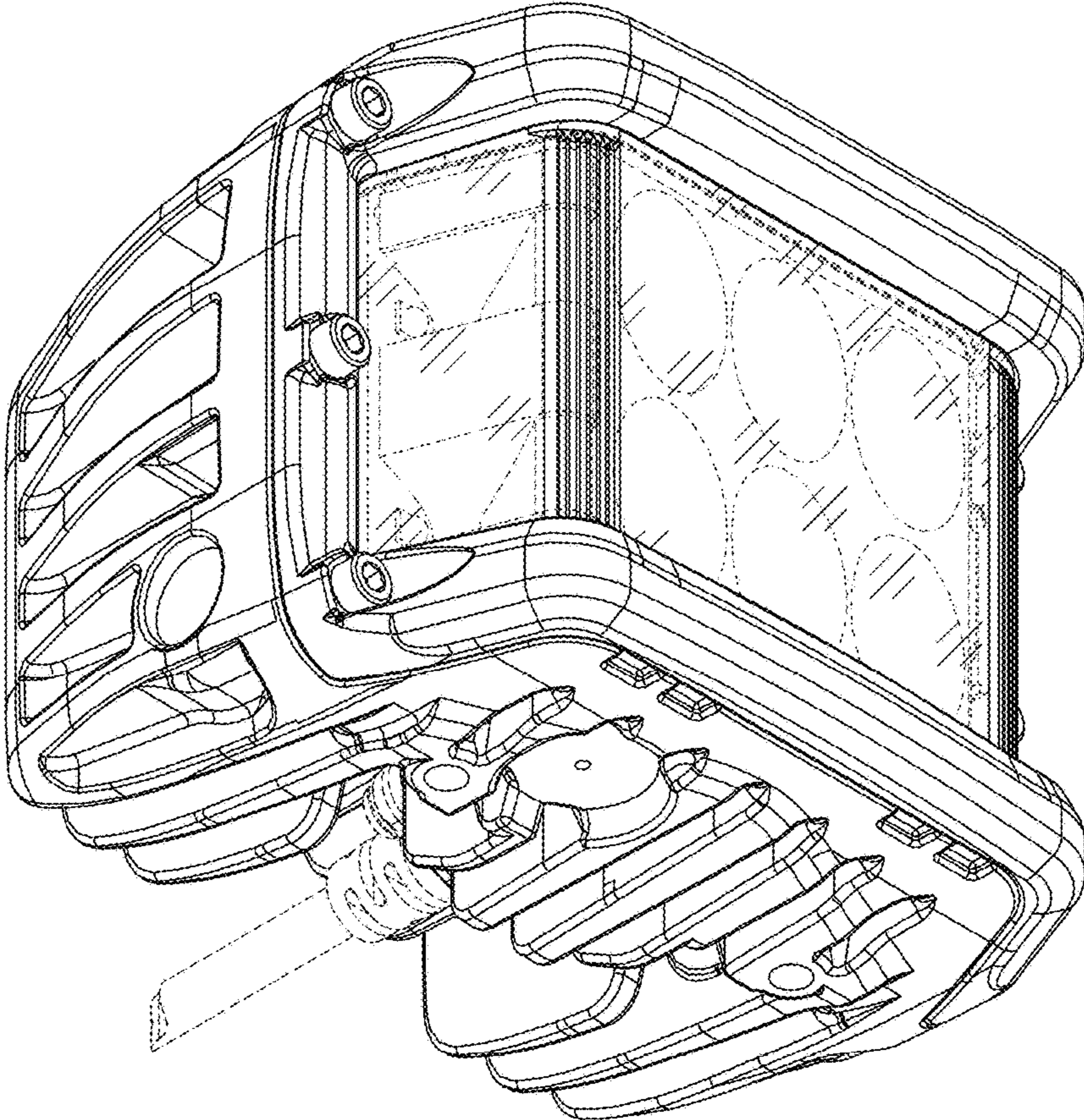


FIG. 4

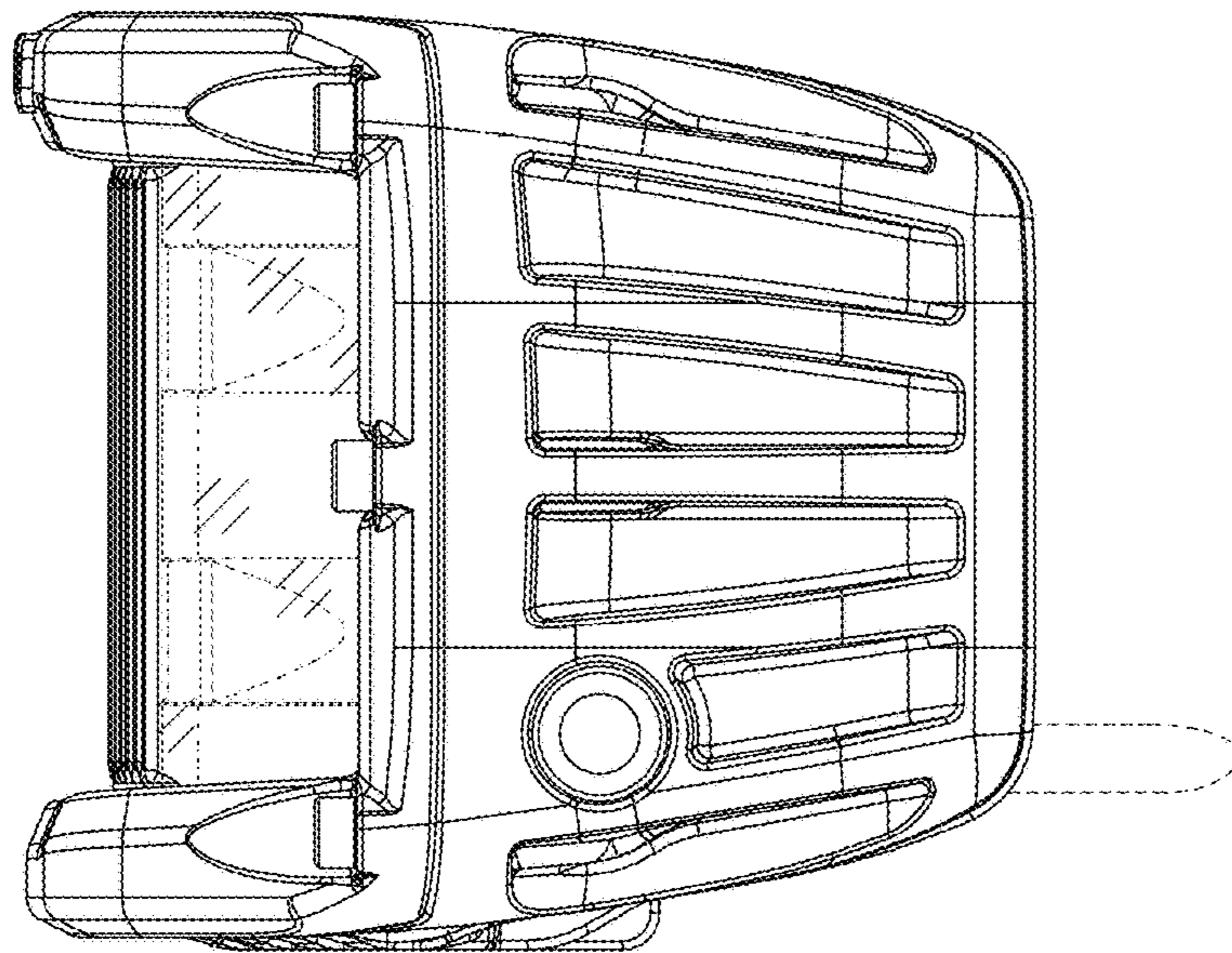


FIG. 5

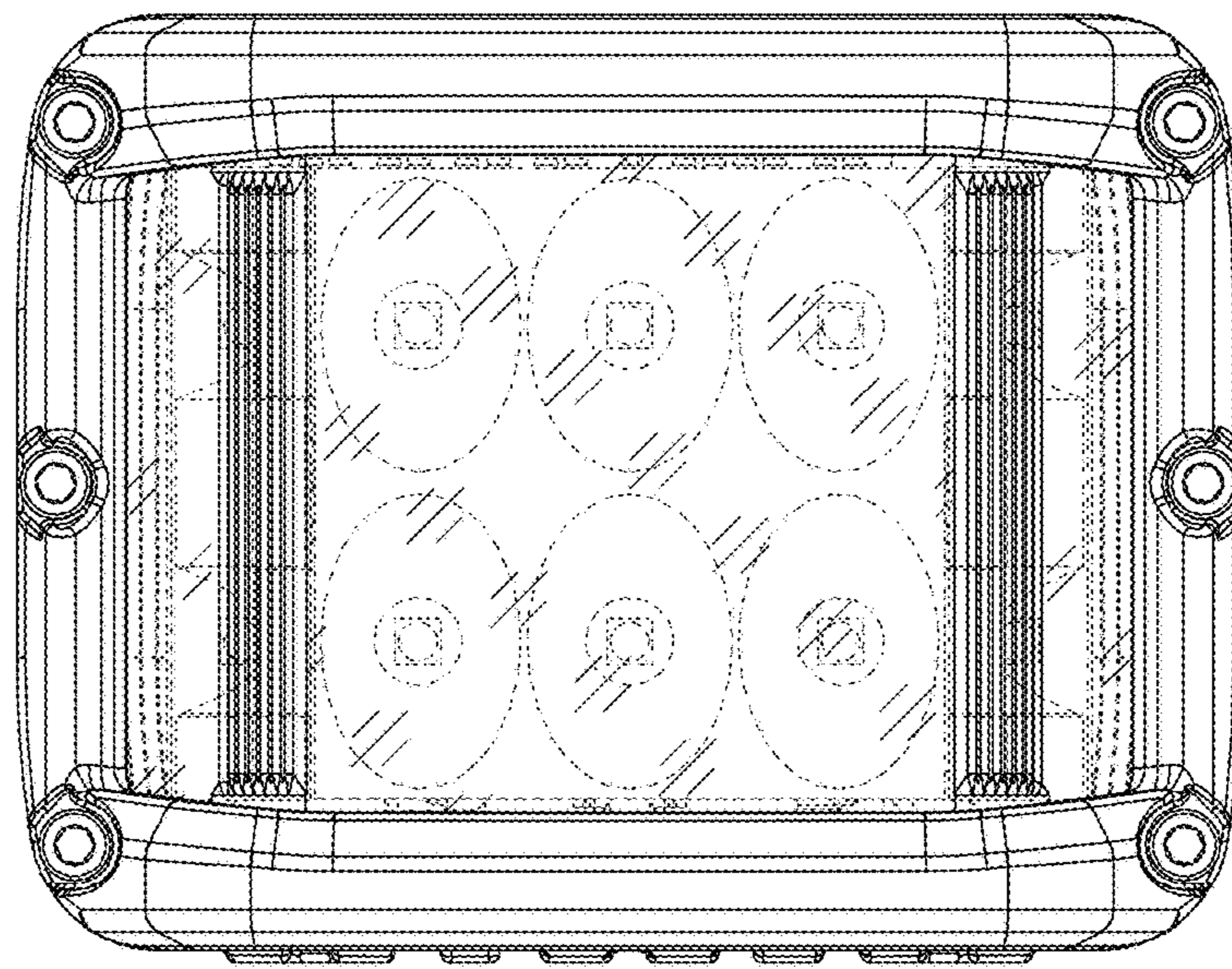


FIG. 6

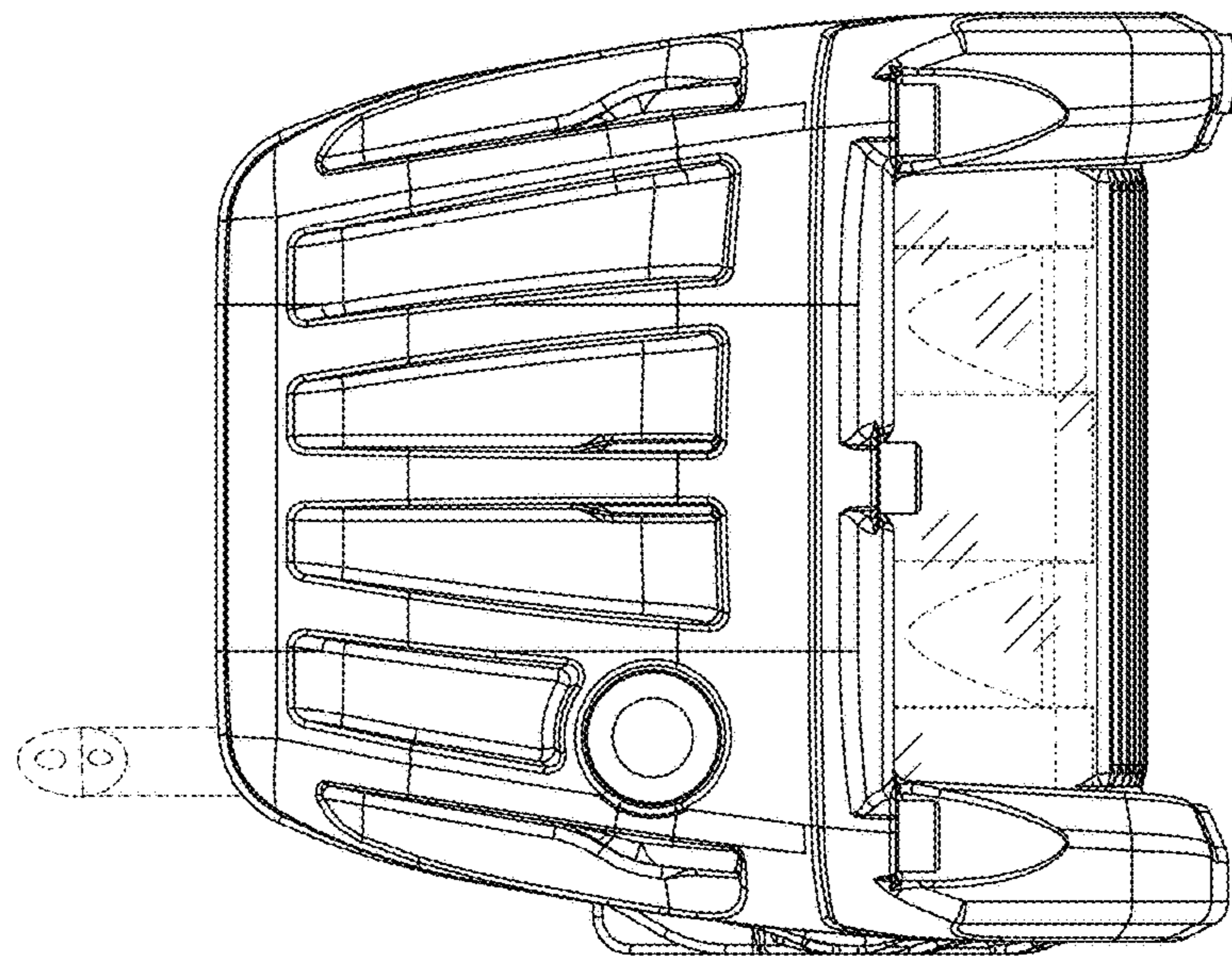


FIG. 7

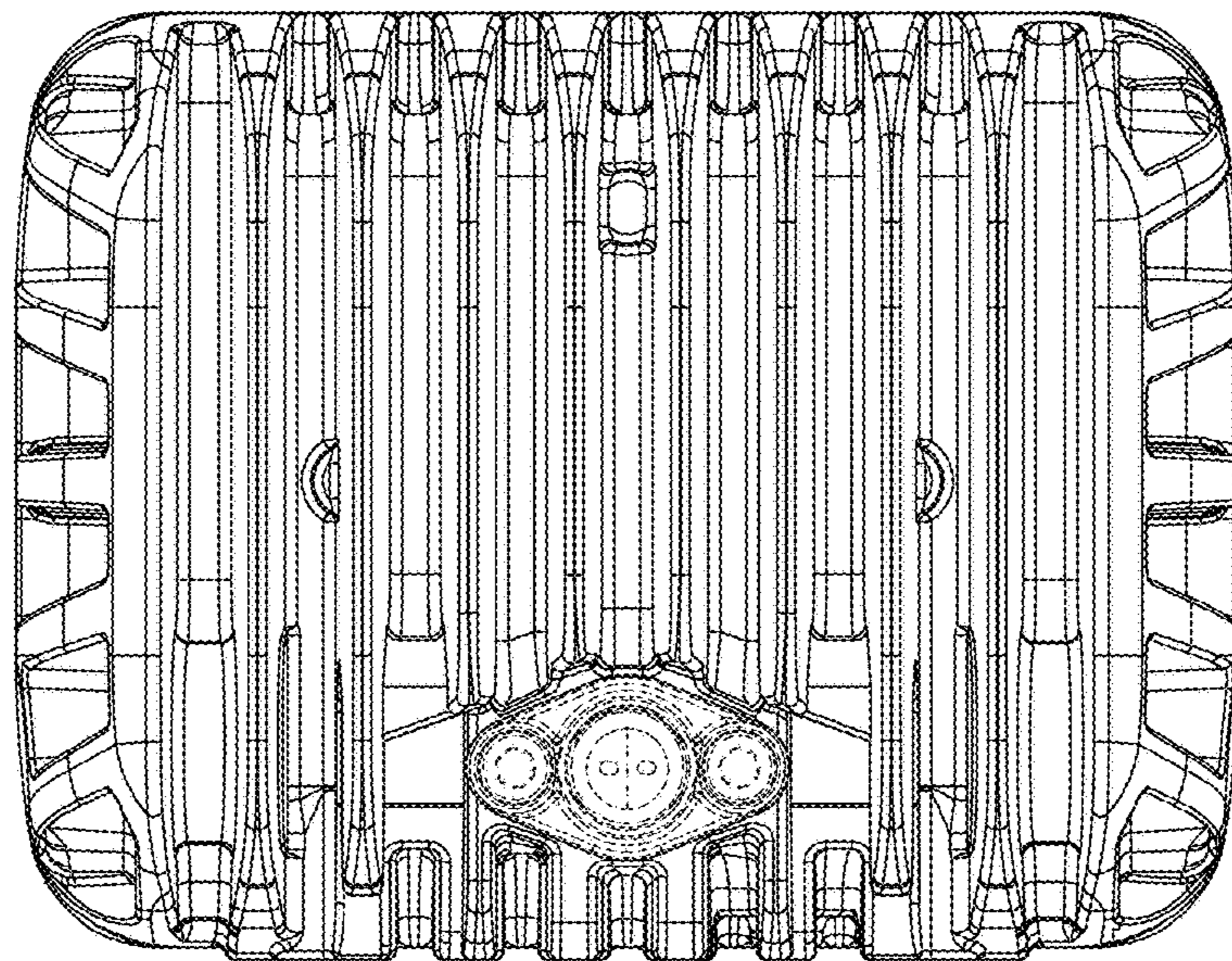


FIG. 8

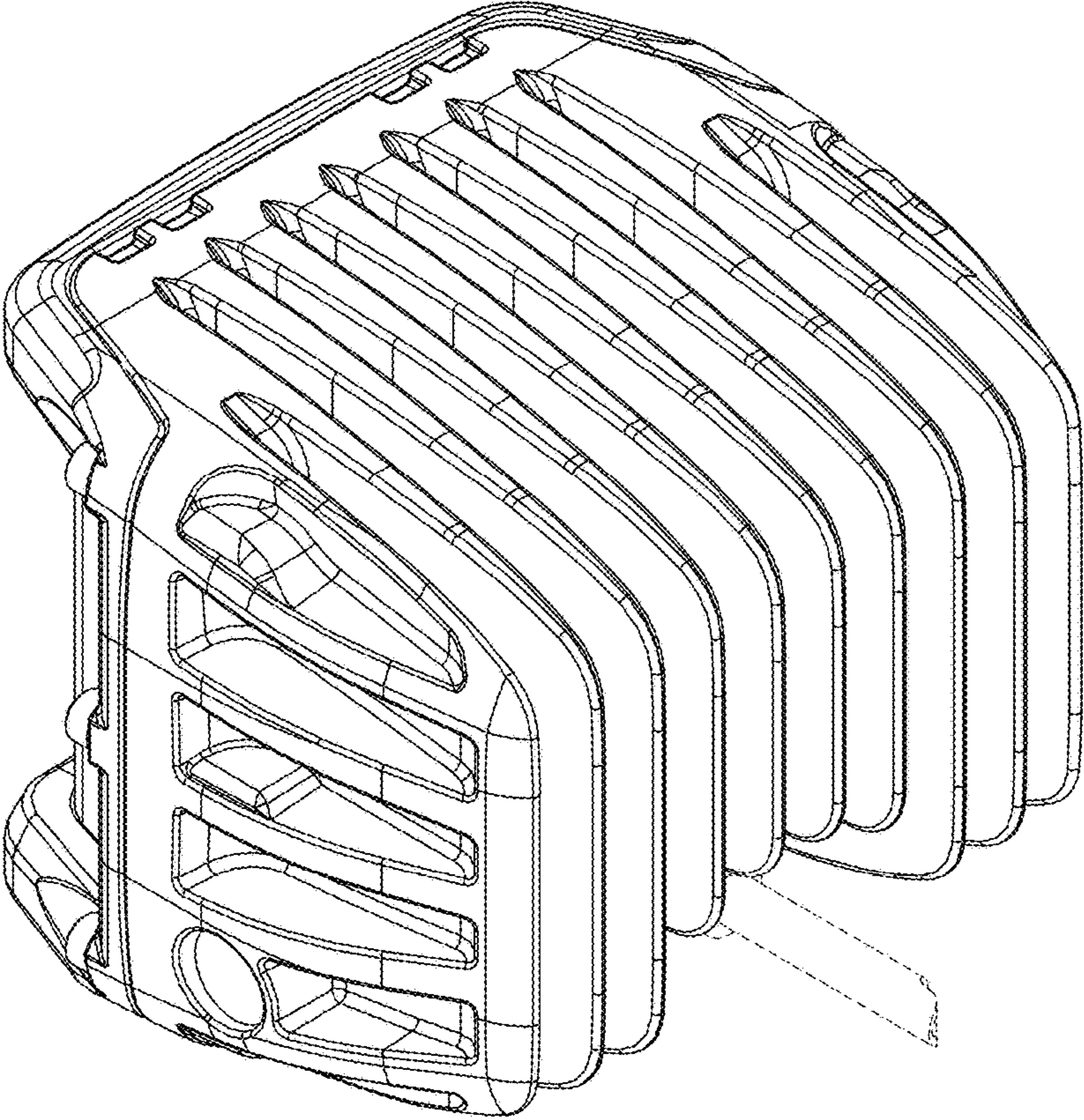


FIG. 9

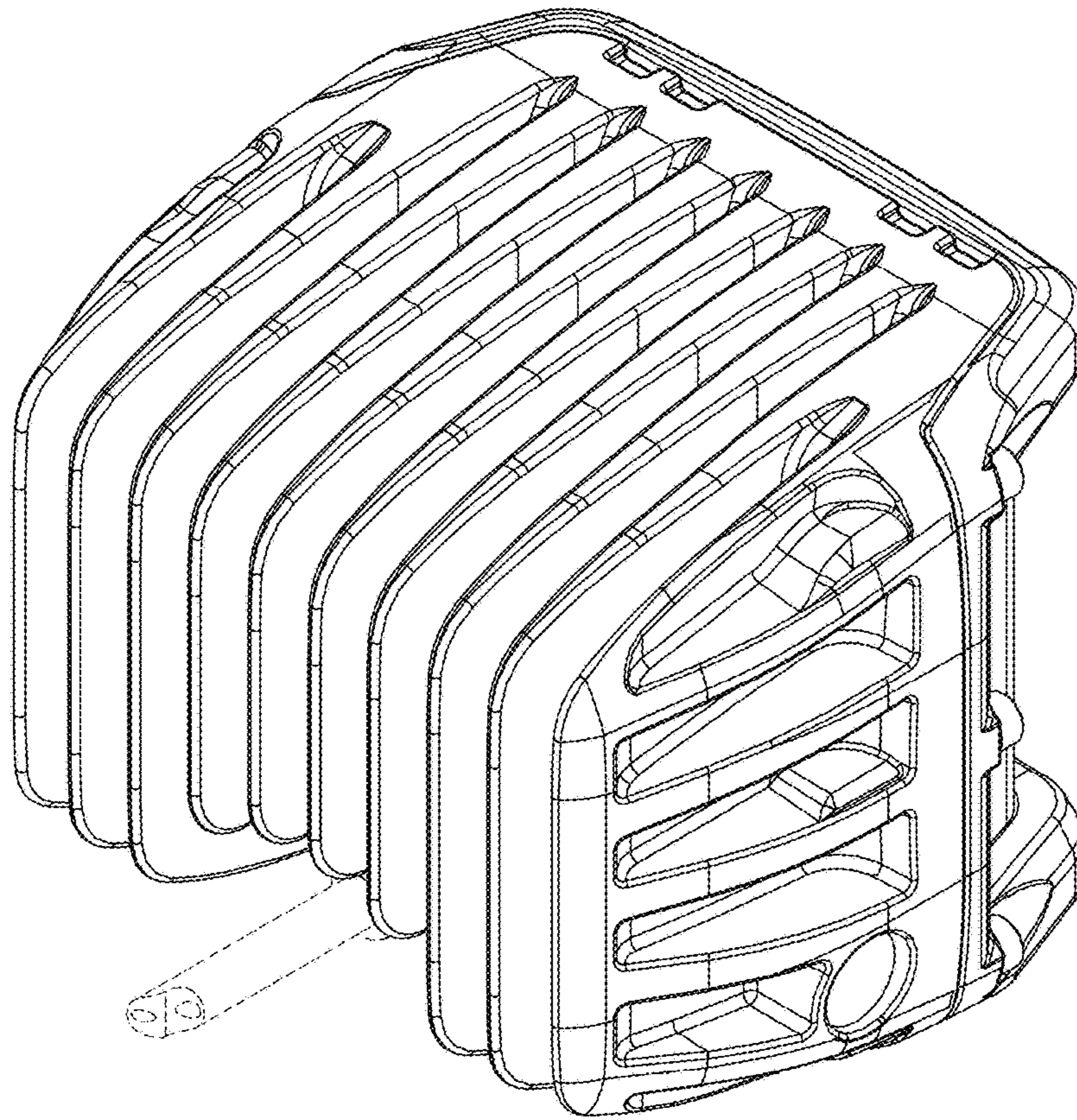


FIG. 10

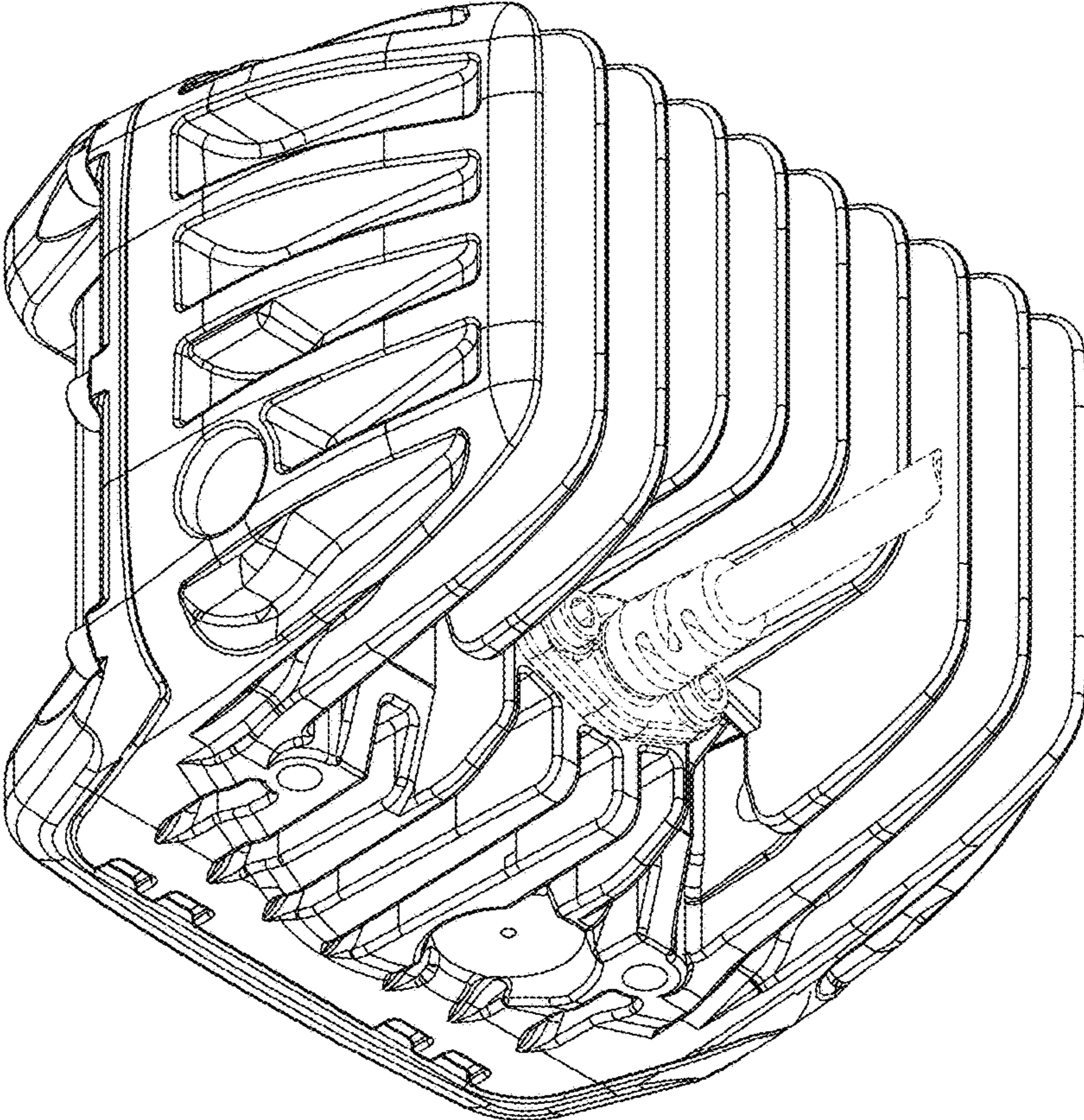


FIG. 11

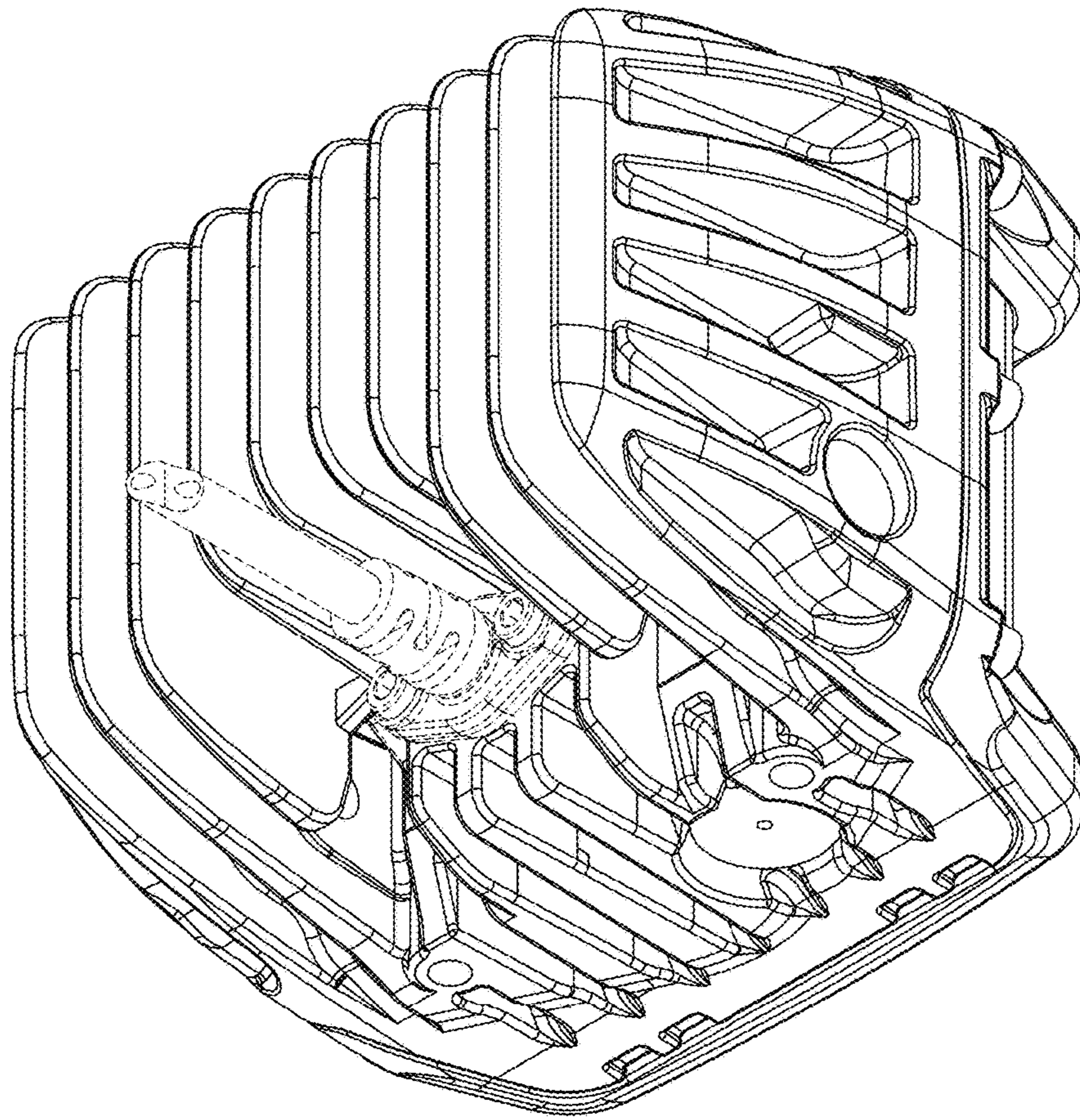


FIG. 12

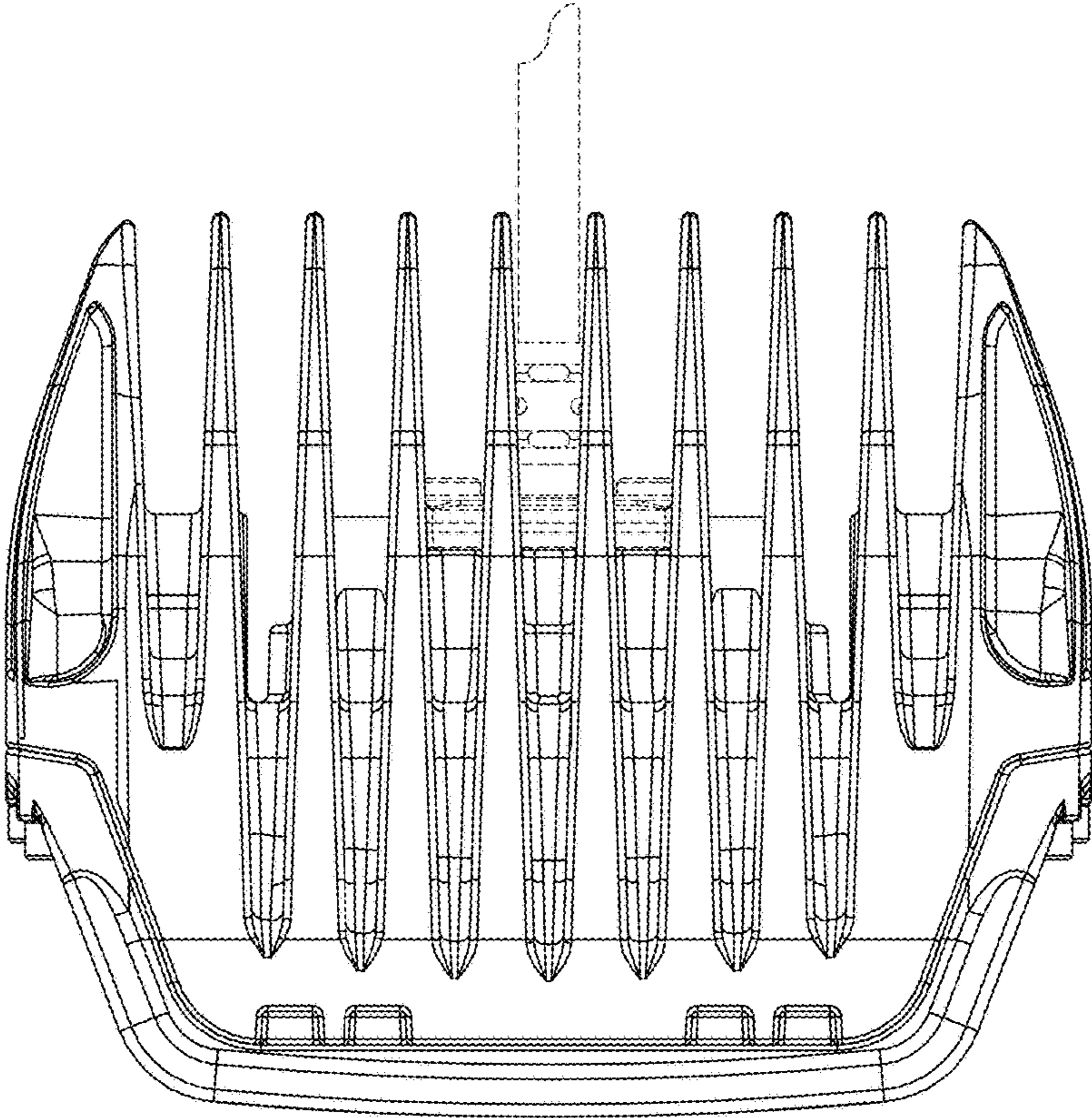


FIG. 13

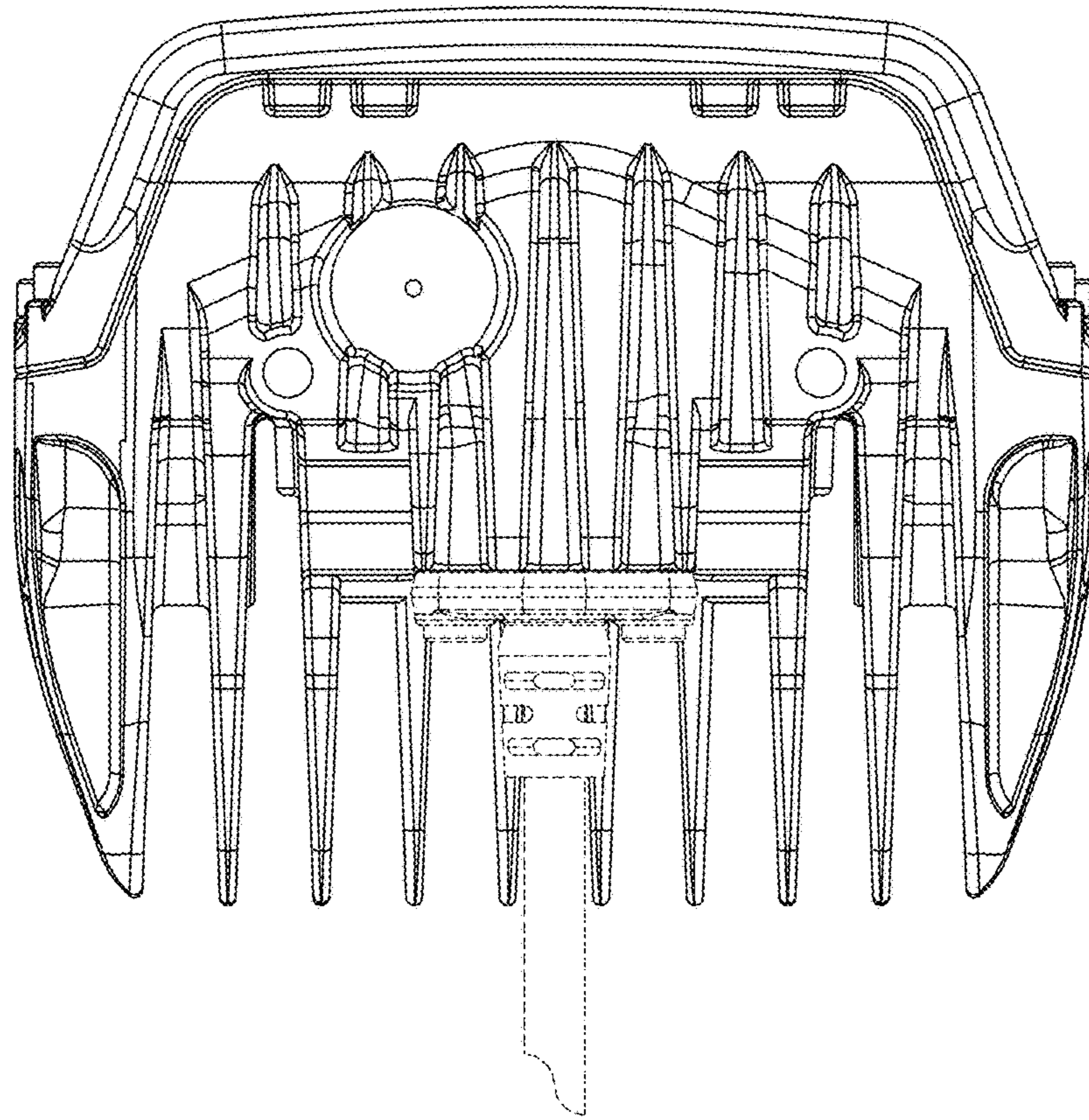


FIG. 14