



US00D815314S

(12) **United States Design Patent** (10) **Patent No.:** **US D815,314 S**
Ralph et al. (45) **Date of Patent:** **** Apr. 10, 2018**

(54) **SLIDE CLIP WITH EXTERNAL FLANGES**

OTHER PUBLICATIONS

(71) Applicant: **CLARKWESTERN DIETRICH BUILDING SYSTEMS LLC**, West Chester, OH (US)

<https://www.youtube.com/watch?v=c0V0p1odJQ8> Posted Feb. 3, 2017 (Year: 2017).*

(Continued)

(72) Inventors: **Gregory Scott Ralph**, Springboro, OH (US); **Gregg Allan Stahl**, Lebanon, OH (US); **Nagaraj Eshwar**, Mason, OH (US); **Thomas Jay Lawson**, West Chester, OH (US)

Primary Examiner — Susan Bennett Hattan

Assistant Examiner — Leanne Was-Englehart

(74) *Attorney, Agent, or Firm* — Frost Brown Todd, LLC

(73) Assignee: **Clarkwestern Dietrich Building Systems LLC**, West Chester, OH (US)

(57) **CLAIM**

(**) Term: **15 Years**

The ornamental design for a slide clip with external flanges, as shown and described.

(21) Appl. No.: **29/576,930**

(22) Filed: **Sep. 8, 2016**

DESCRIPTION

(51) **LOC (11) Cl.** **25-01**

(52) **U.S. Cl.**
USPC **D25/199**

(58) **Field of Classification Search**
USPC D8/349, 354, 373, 380, 382; D25/61, D25/133, 199
CPC E04B 1/36; E04B 1/40; E04B 1/98; E04B 1/2403; E04B 1/4185; E04B 1/7616; E04B 2/58; E04B 2/88; E04B 2/96; E04B 2/766;

(Continued)

FIG. 1 is a top perspective view of a slide clip with external flanges, showing our new design; FIG. 2 is a bottom perspective thereof; FIG. 3 is a front elevational view thereof; FIG. 4 is a back elevational view thereof; FIG. 5 is a left elevational view thereof; FIG. 6 is a right elevational view thereof; FIG. 7 is a top plan view thereof; FIG. 8 is a bottom plan view thereof; and, FIG. 9 is a perspective assembly view of the slide clip with external flanges of FIG. 1 installed in an exemplary building structure.

The slide clip with external flanges is shown with a symbolic break in its length of one of the plates. The symbolic break lines are depicted using brackets and dot-dash lines. The appearance of any portion of the slide clip with external flanges between the break lines forms no part of the claimed design. The stiffeners shown in dashed lines in FIGS. 1-9, the embossments shown in dashed lines in FIGS. 1-3 and 5-9, and the fasteners and building structure shown in dashed lines in FIG. 9 are unclaimed subject matter, and form no part of the claimed design.

(56) **References Cited**

U.S. PATENT DOCUMENTS

2,235,761 A 3/1941 Goldsmith
2,365,478 A 12/1944 La Grotta
3,350,830 A 11/1967 Smith et al.

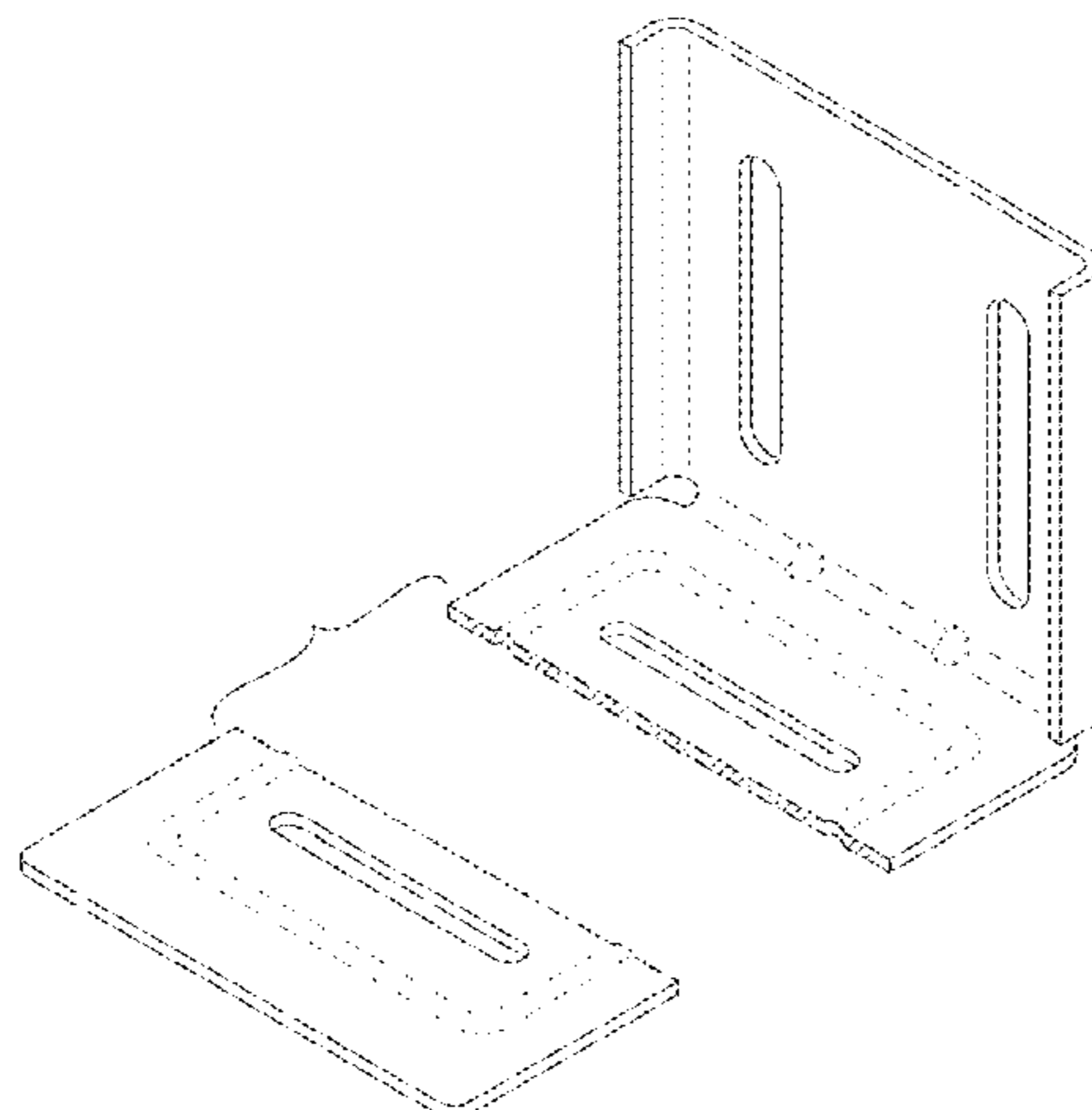
(Continued)

FOREIGN PATENT DOCUMENTS

CA 2165643 A1 6/1996
CA 2243897 A1 2/1999

(Continued)

1 Claim, 7 Drawing Sheets



(58) **Field of Classification Search**

CPC E04B 2/767; E04B 2/768; E04B 2/7453;
F16M 13/02; A47B 96/06; F16B 12/46
See application file for complete search history.

(56) **References Cited**

U.S. PATENT DOCUMENTS

3,940,900	A	3/1976	Russo	
4,022,415	A	5/1977	Roderick	
4,131,221	A	12/1978	Yeager	
4,263,764	A	4/1981	Wendt	
4,363,459	A	12/1982	Holzer	
D272,719	S	2/1984	Skjaeveland	
4,709,517	A	12/1987	Mitchell	
4,835,935	A	6/1989	Murphy	
4,949,929	A *	8/1990	Kesselman	A47B 96/06 248/220.1
5,169,062	A	12/1992	Baker	
D339,735	S	9/1993	Brennan	
5,392,579	A *	2/1995	Champagne	E04D 1/34 52/520
5,392,581	A *	2/1995	Hatzinikolas	E04B 1/4185 52/379
5,408,724	A	4/1995	Mullet	
D360,571	S	7/1995	Perry	
5,467,566	A	11/1995	Swartz et al.	
D371,506	S	7/1996	Nofziger	
D375,038	S	10/1996	Trevorrow	
5,572,844	A	11/1996	Stackenwalt et al.	
5,664,392	A *	9/1997	Mucha	E04B 2/96 248/262
5,664,754	A	9/1997	Gaenslen	
5,671,580	A	9/1997	Chou	
5,718,533	A	2/1998	Mullet	
5,720,571	A *	2/1998	Frobosilo	E04B 2/96 403/2
5,779,206	A	7/1998	Harris	
D400,081	S	10/1998	Ibaragi	
5,846,018	A *	12/1998	Frobosilo	E04B 2/96 403/2
5,876,006	A	3/1999	Sharp et al.	
5,904,023	A	5/1999	diGirolamo et al.	
5,906,080	A *	5/1999	diGirolamo	E04B 2/7453 411/546
D414,398	S	9/1999	Benz et al.	
D420,565	S	2/2000	Griffiths	
D432,901	S *	10/2000	McDonald	D8/354
6,213,679	B1 *	4/2001	Frobosilo	E04B 2/82 403/14
D442,471	S *	5/2001	Willett	D8/354
D451,786	S	12/2001	Wyatt	
6,508,447	B1	1/2003	Catani et al.	
6,612,087	B2	9/2003	diGirolamo et al.	
6,688,069	B2	2/2004	Zadeh	
6,792,733	B2	9/2004	Wheeler et al.	
7,104,024	B1	9/2006	diGirolamo et al.	
D530,191	S *	10/2006	Taylor	D25/199
7,174,690	B2	2/2007	Zadeh	
7,299,593	B1	11/2007	Digirolamo et al.	
D569,232	S	5/2008	Yoshida	
7,478,508	B2	1/2009	Peterson	
7,533,508	B1	5/2009	Digirolamo et al.	
D621,692	S	8/2010	Clarke	
D628,539	S	12/2010	Tezak et al.	
D630,346	S *	1/2011	Horta	D25/199
D644,503	S *	9/2011	Crane	D8/354
D652,951	S	1/2012	Crane et al.	
8,181,419	B1	5/2012	Digirolamo	
D663,020	S	7/2012	Purnell	
D663,190	S	7/2012	Mota et al.	
D667,288	S *	9/2012	Preda	D8/354
D667,289	S *	9/2012	Preda	D8/354
8,387,321	B2	3/2013	Digirolamo et al.	
8,511,032	B2	8/2013	Abdel-Rahman et al.	

8,555,592	B2 *	10/2013	Daudet	E04B 1/2403 52/489.1
D692,746	S	11/2013	Lawson et al.	
8,615,942	B2	12/2013	Lafreniere	
8,683,770	B2	4/2014	Digirolamo et al.	
8,950,151	B2	2/2015	Strickland et al.	
9,010,070	B2	4/2015	Darr, III et al.	
D729,611	S	5/2015	Schmidt	
D730,545	S *	5/2015	Stauffer	D25/133
D731,876	S	6/2015	Di Stefano	
D732,708	S *	6/2015	Stauffer	D25/133
D740,108	S	10/2015	Di Stefano	
9,234,344	B2 *	1/2016	Hatzinikolas	E04B 1/94
9,255,403	B1	2/2016	Lehane et al.	
D751,222	S	3/2016	Darr, III et al.	
D751,733	S	3/2016	Darr, III et al.	
D753,638	S	4/2016	Tatem et al.	
D766,701	S	9/2016	Snell	
D769,698	S	10/2016	Oltrogge	
D774,874	S	12/2016	Wentzel et al.	
9,663,948	B2	5/2017	Lehane et al.	
2002/0023405	A1 *	2/2002	Zadeh	E04B 1/2403 52/714
2005/0279901	A1	12/2005	McCoy et al.	
2006/0096192	A1	5/2006	Daudet	
2008/0163581	A1	7/2008	Greth	
2009/0193750	A1	8/2009	Klima	
2010/0126103	A1 *	5/2010	diGirolamo	E04B 2/58 52/655.1
2012/0247059	A1 *	10/2012	Daudet	E04B 1/2403 52/705
2015/0308098	A1 *	10/2015	Tessadori	E04F 13/0807 52/698
2017/0204599	A1 *	7/2017	Daudet	E04B 1/2403

FOREIGN PATENT DOCUMENTS

CA	2217076	A1	4/1999
CA	2260554	A1	7/1999
CA	2463747	C	1/2011
CA	2830677	A1	10/2012
CA	2940128	A1	10/2012
CN	303539282	*	1/2016
JP	D1330583	*	5/2008
WO	WO 2010/009727	A1	1/2010
WO	WO 2016/028500	A1	2/2016

OTHER PUBLICATIONS

<https://www.steelnetwork.com/Product/DriftTrakDTSL> Available Apr. 1, 2016 (Year: 2016).*

Curtainwall Deflection Solutions, Super Stud Building Products, Inc., Brochure, 2001, 24 pgs.

DESC—Exterior Head-of-Wall Drift Clip, SCAFCO Steel Stud Company, Jun. 26, 2016, downloaded from <http://www.scafco.com/steel/products/deflection-clips/desc-exterior-head-of-wall-multi-dlift-clip>, 2 pgs.

DISC—Interior Head-of-Wall Drift Clip, SCAFCO Steel Stud Company, Jun. 26, 2016, downloaded from <http://www.scafco.com/steel/products/deflection-clips/disc-interior-head-of-wall-multi-drift-clip>, 2 pgs.

DPLC2—Bypass Slab Drift Clip, SCAFCO Steel Stud Company, Jun. 16, 2016, downloaded from <http://www.scafco.com/steel/products/deflection-clips/dplc2-bypass-slab-drift-struct>, 2 pgs.

Drift-Clip Bypass Framing Connector, Tech Sheet, Simpson Strong-Tie Company, Inc., May 2016, 2 pgs.

DriftTrak® DTSL, Tech Sheet, The Steel Network, Inc. (TSN), 2012, downloaded Jul. 6, 2017 from <https://web.archive.org/web/2012008023139/http://www.steelnetwork.com/product/drift-trakdtsl>, 2 pg.

DriftTrak® DTSLB, Tech Sheet, The Steel Network, Inc. (TSN), 2012, downloaded Jul. 6, 2017 from <https://web.archive.org/web/20121008022926/http://www.steelnetwork.com/product/drift-trakdtslb>, 3 pgs.

(56)

References Cited

OTHER PUBLICATIONS

DWSC Slide Clips, FrameRite Connectors, Marino Ware, Jun. 16, 2016, downloaded from <http://www.marnioware.com/Products/frameriteConn.asp?prod=5>, 1 pg.

PLC4—Bypass Slab Slide Clip, SCAFCO Steel Stud Company, Jun. 7, 2017, downloaded from <http://www.scafco.com/steel/products/deflection-clips/plc4-bypass-slide-clip>, 2 pgs.

SCHA Slide-Clip Connectors for Horizontal Anchorage, Tech Sheet, Simpson Strong-Tie Company, Inc., Jan. 2016, 4 pgs.

SCW Head-of-Wall-Clip Connectors, Submittal/Substitution Technical Information, Simpson Strong-Tie Company, Inc., Aug. 2016, 1 pg.

VertiClip® SLD, Interior Head of Wall, The Steel Network, Inc., Tech Sheet, Catalog pp. 11-12, 2016, downloaded from <https://www.steelnetwork.com/Product/VertiClipSLD>, 2 pgs.

Design U.S. Appl. No. 29/576,925, filed Sep. 8, 2016, Ralph et al.

Design U.S. Appl. No. 29/576,941, filed Sep. 8, 2016, Ralph et al.

Design U.S. Appl. No. 29/576,955, filed Sep. 8, 2016, Ralph et al.

Design U.S. Appl. No. 29/576,961, filed Sep. 8, 2016, Ralph et al.

Design U.S. Appl. No. 29/576,969, filed Sep. 8, 2016, Ralph et al.

U.S. Office Action, Notice of Allowance, dated Sep. 12, 2017 for U.S. Appl. No. 29/576,969, 7 pgs.

U.S. Office Action, Notice of Allowance, dated Sep. 18, 2017 for U.S. Appl. No. 29/576,961, 7 pgs.

* cited by examiner

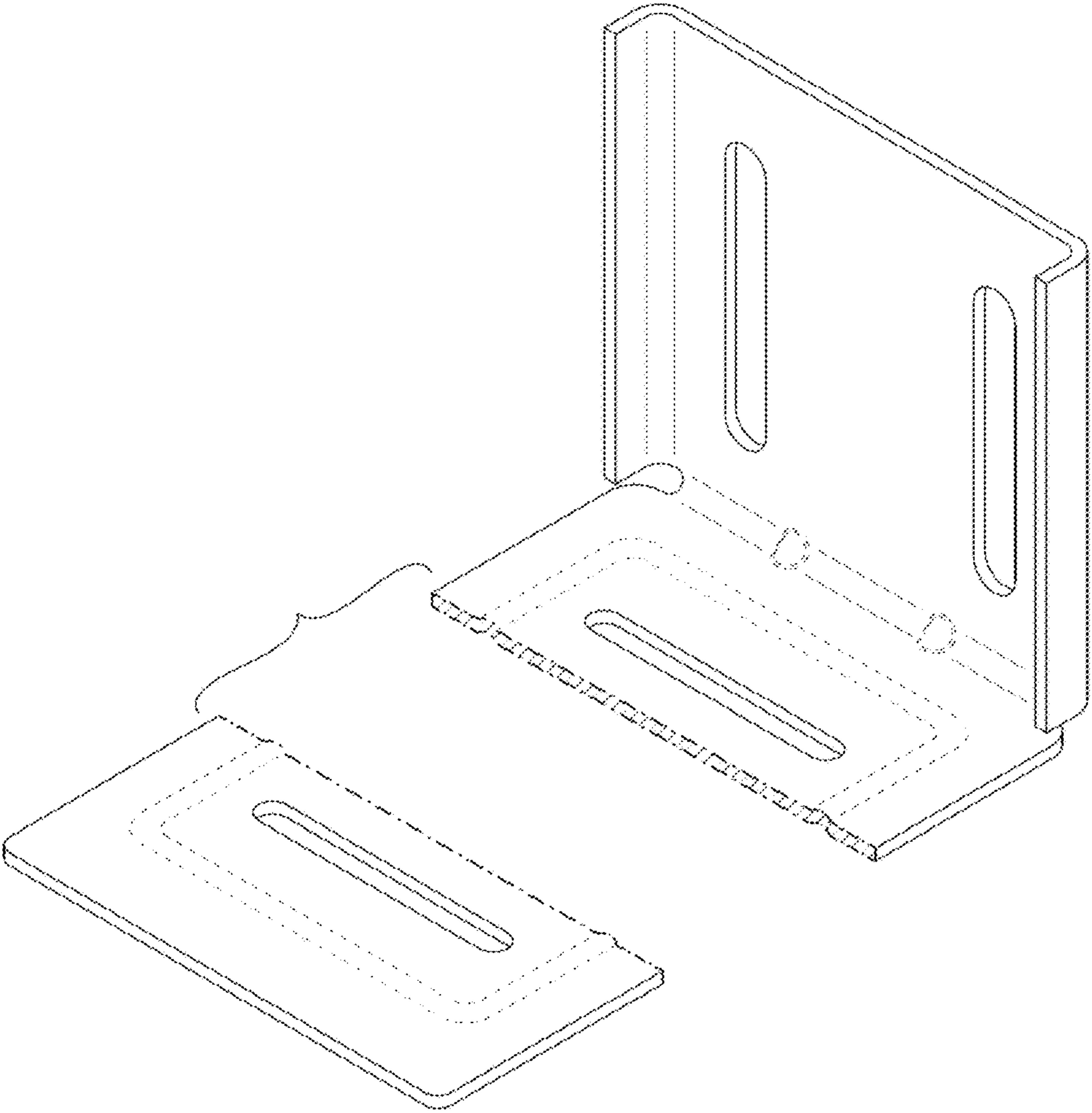


FIG. 1

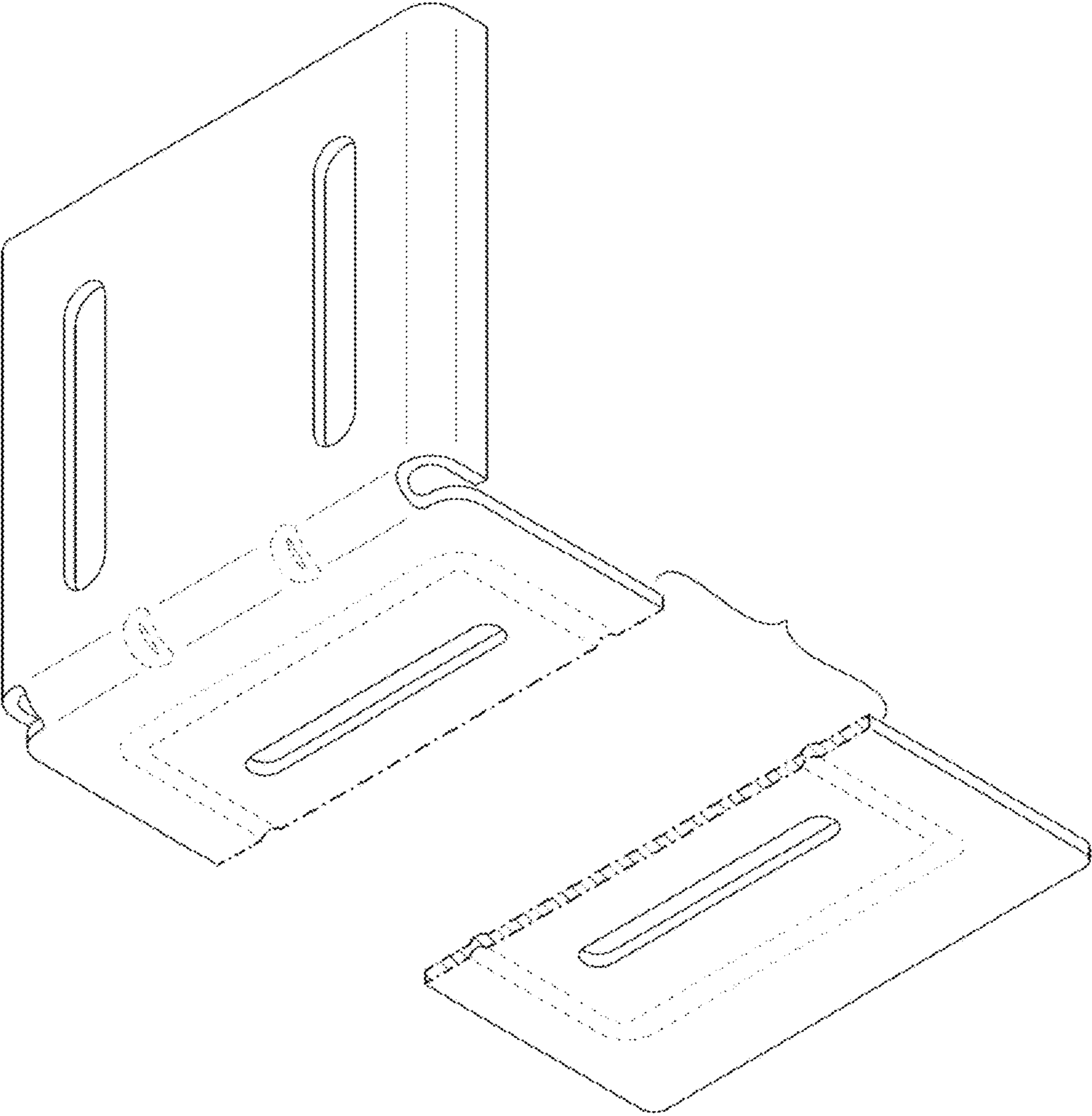


FIG. 2

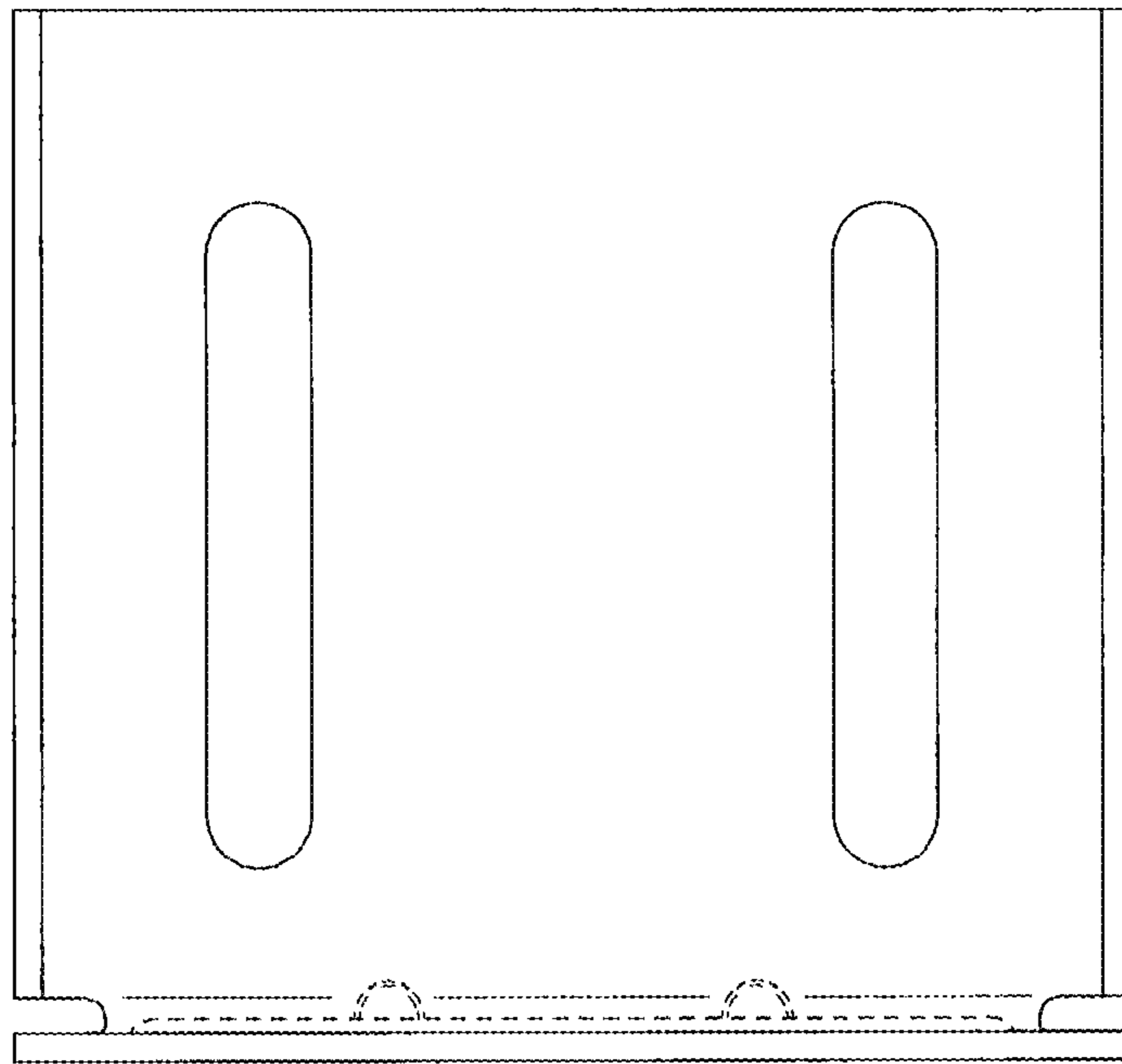


FIG. 3

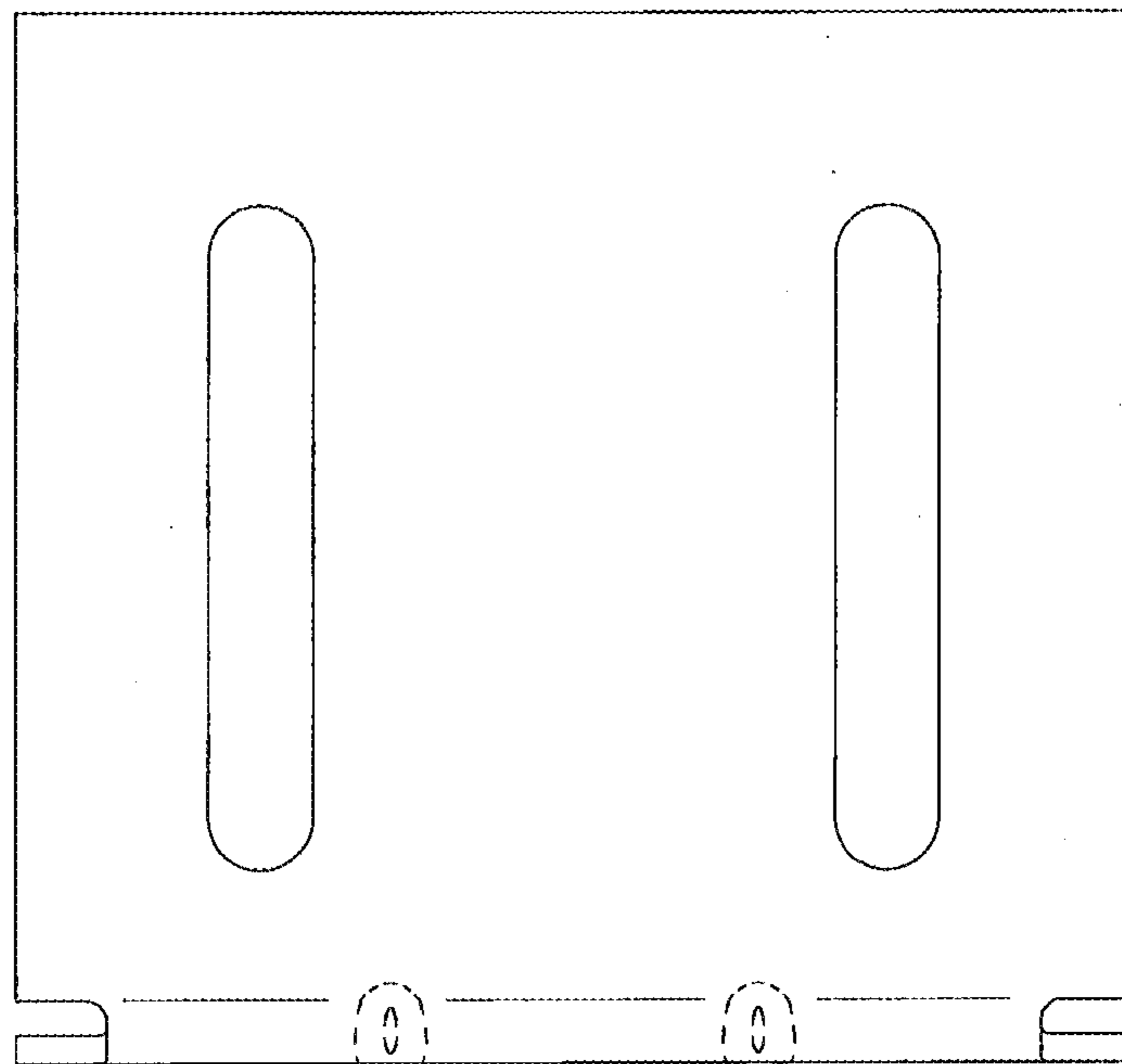


FIG. 4

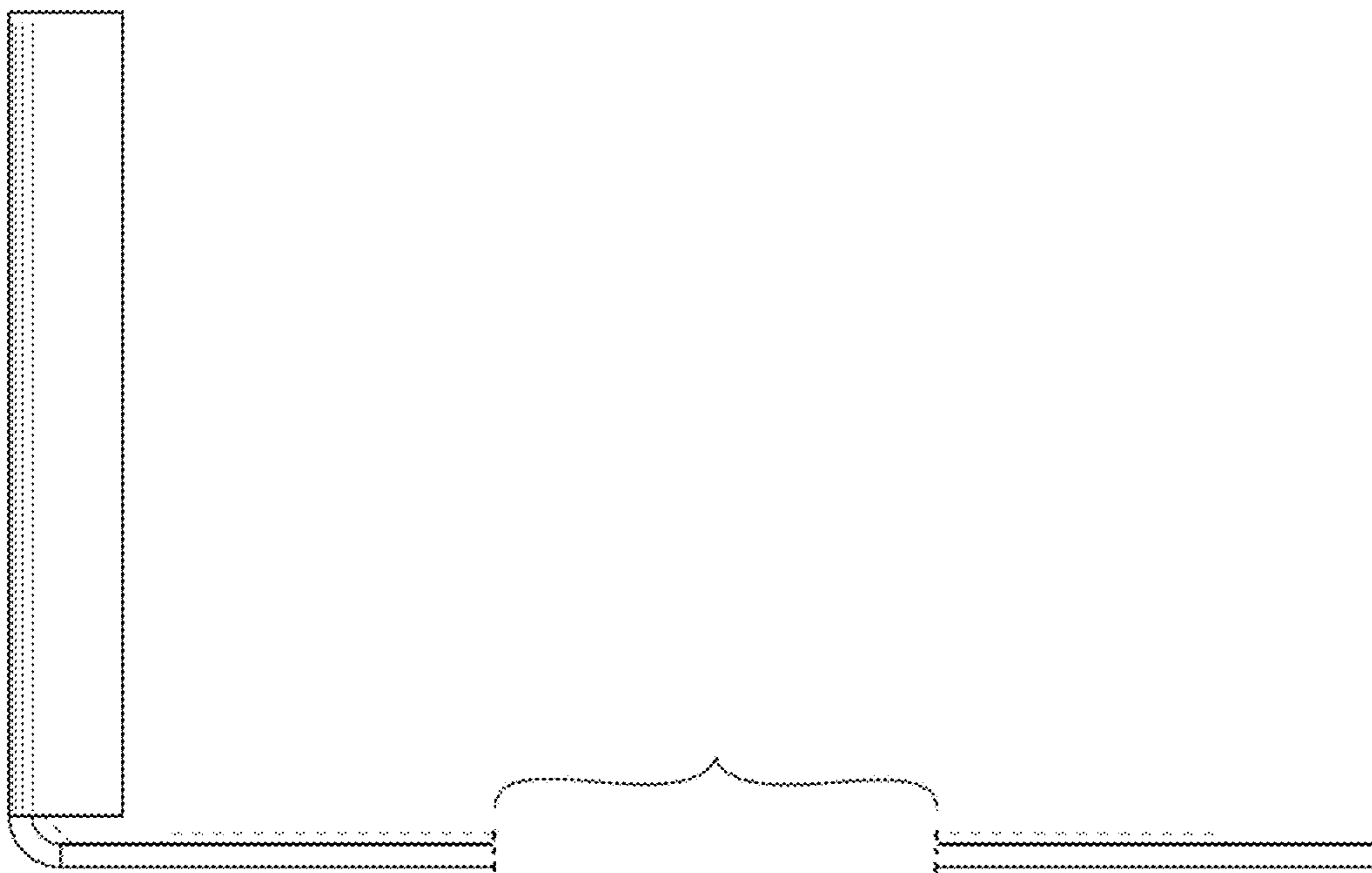


FIG. 5

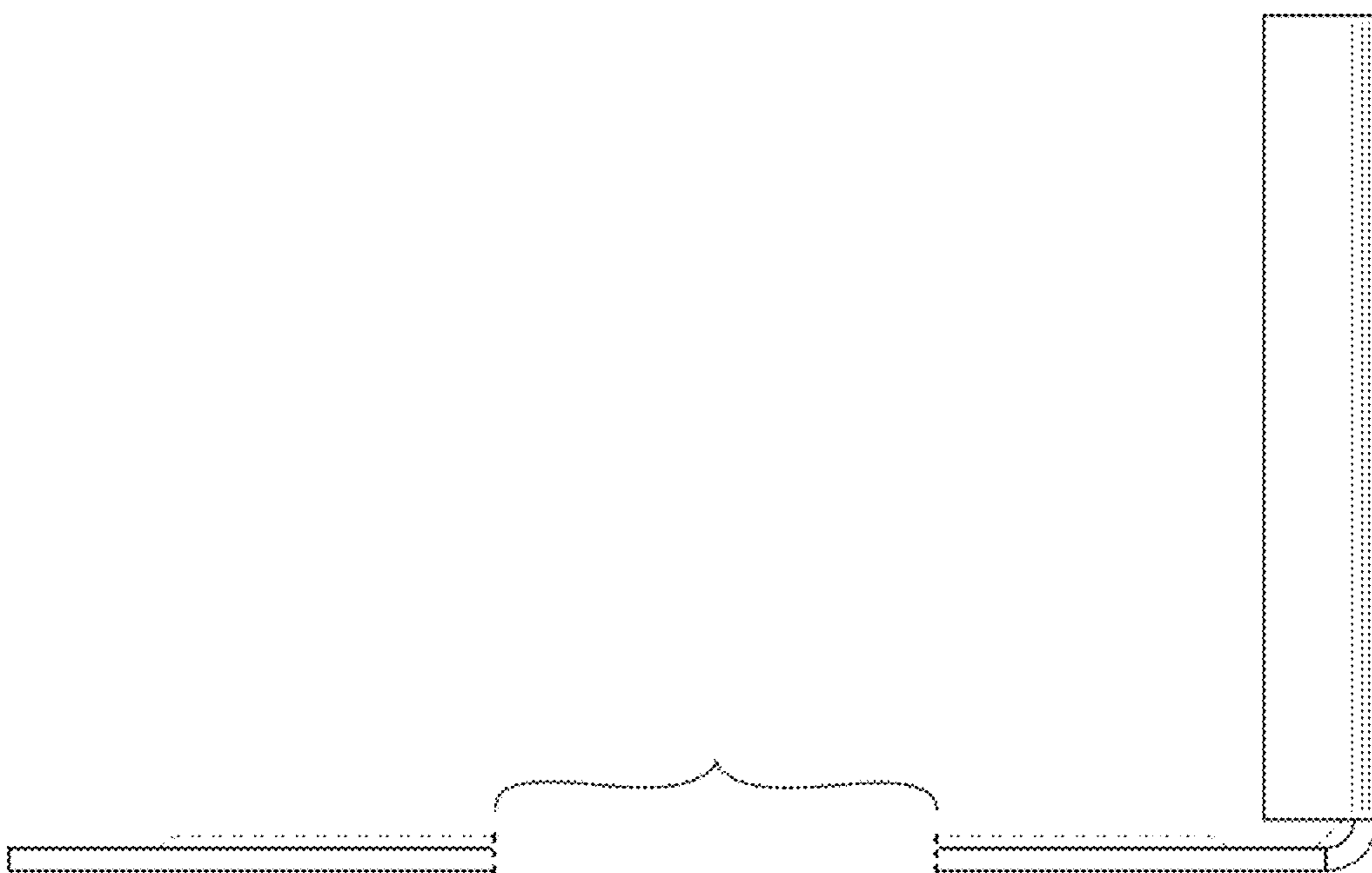


FIG. 6

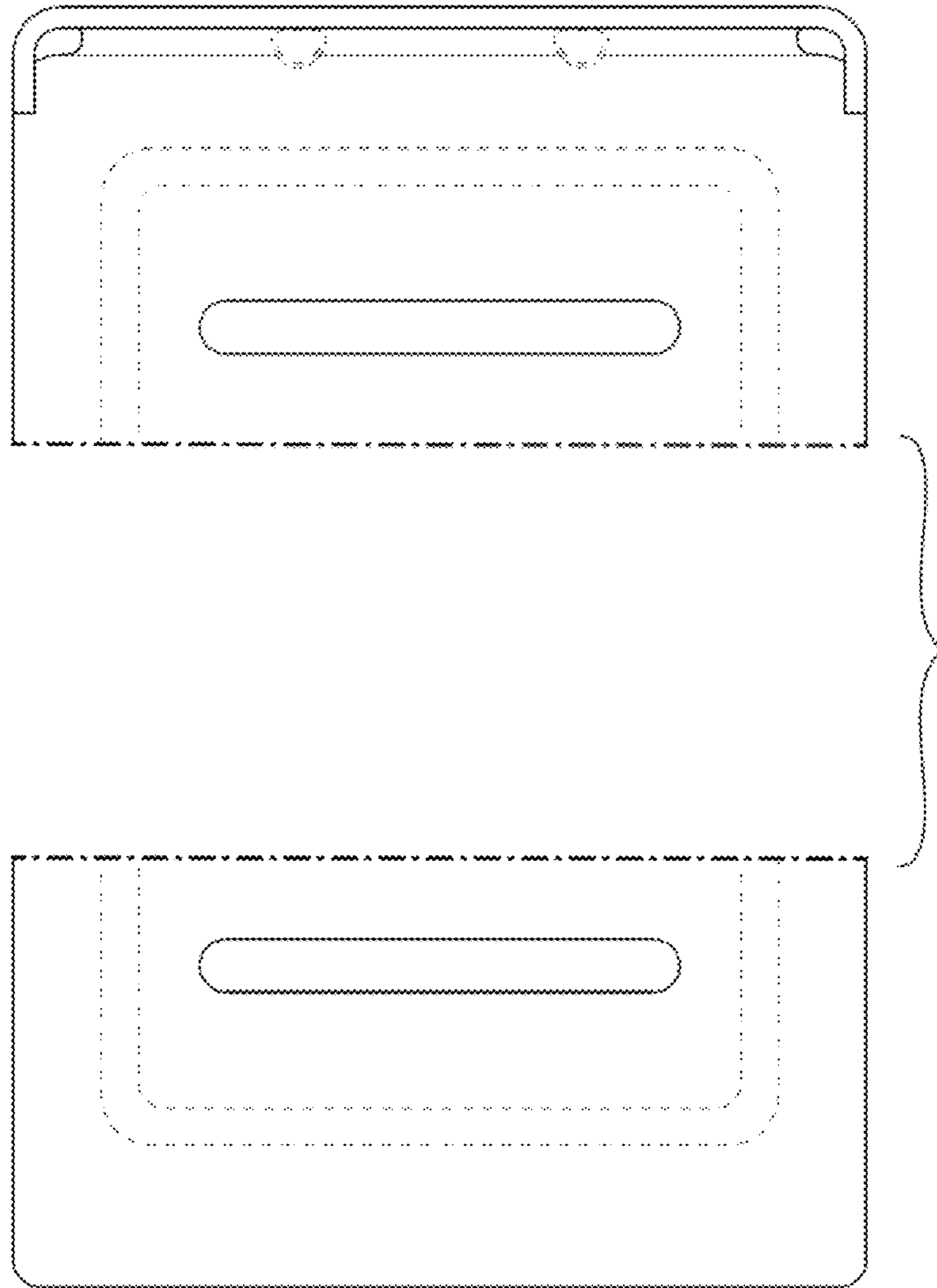


FIG. 7

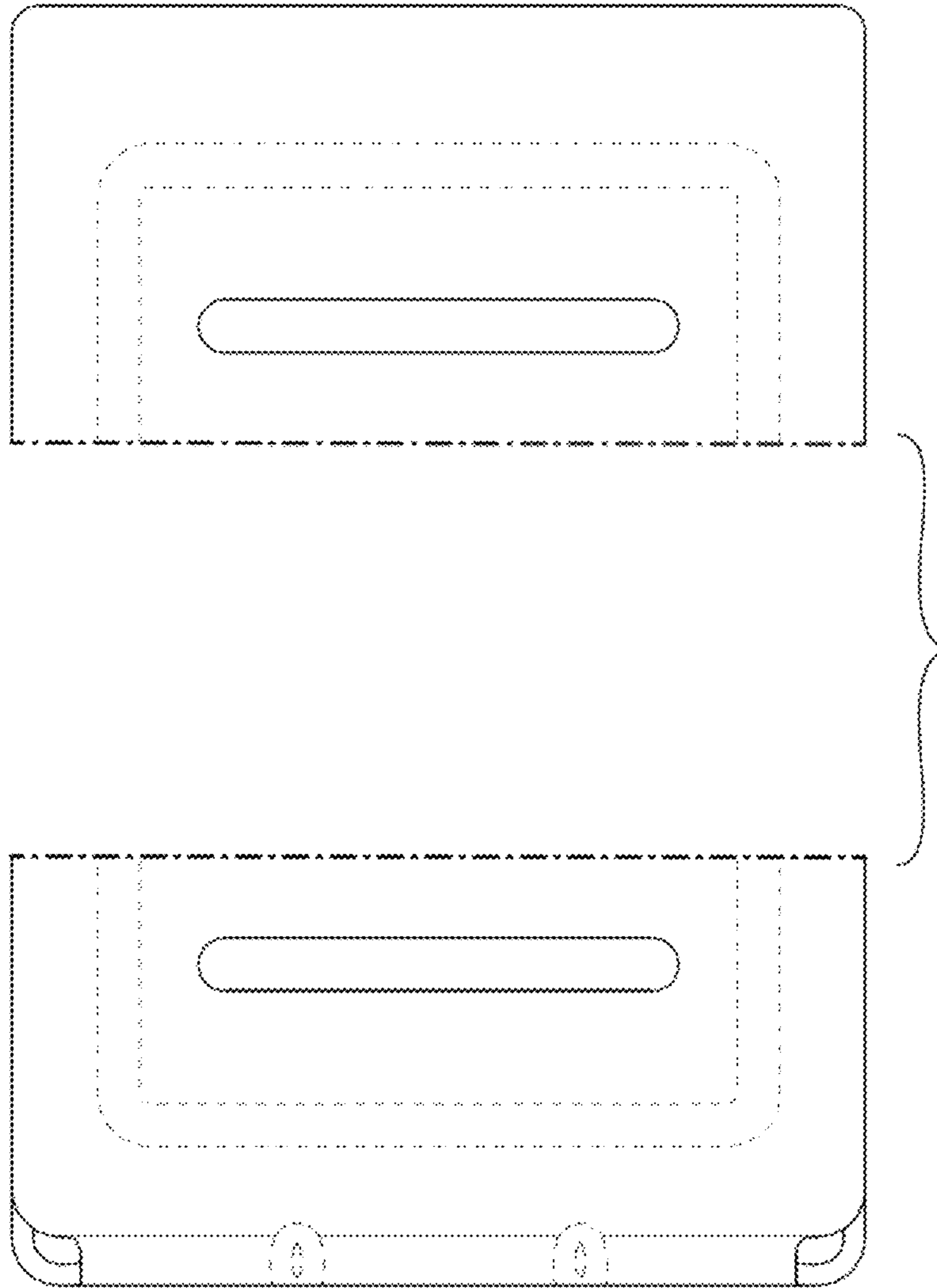


FIG. 8

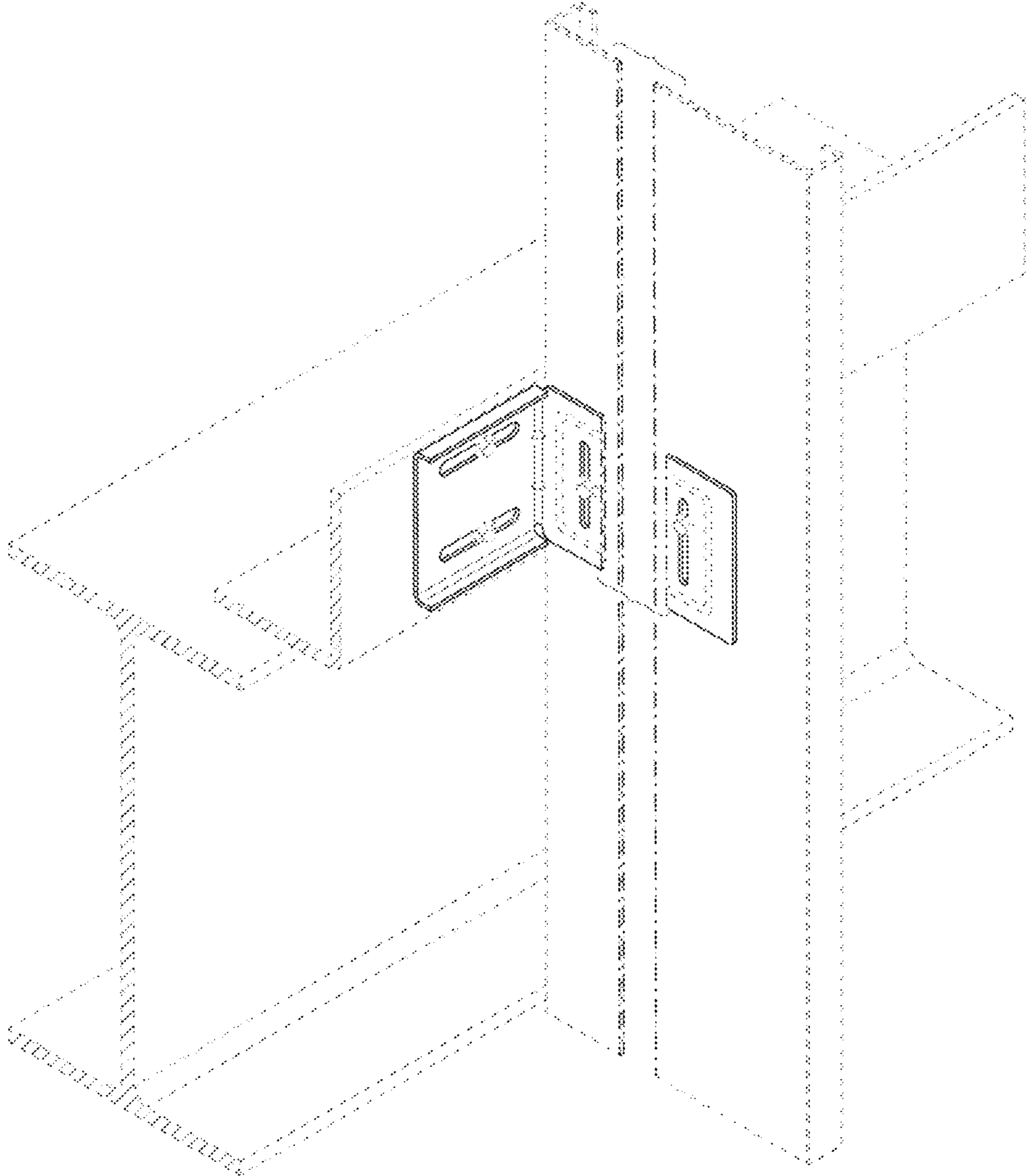


FIG. 9