



US00D815313S

(12) **United States Design Patent** (10) **Patent No.:** **US D815,313 S**  
**Ralph et al.** (45) **Date of Patent:** **\*\* Apr. 10, 2018**

(54) **SLIDE CLIP WITH EXTERNAL FLANGES**

OTHER PUBLICATIONS

(71) Applicant: **CLARKWESTERN DIETRICH BUILDING SYSTEMS LLC**, West Chester, OH (US)

<https://www.youtube.com/watch?v=c0V0p1odJQ8> Posted Feb. 3, 2017 (Year: 2017).\*

(Continued)

(72) Inventors: **Gregory Scott Ralph**, Springboro, OH (US); **Gregg Allan Stahl**, Lebanon, OH (US); **Nagaraj Eshwar**, Mason, OH (US); **Thomas Jay Lawson**, West Chester, OH (US)

*Primary Examiner* — Susan Bennett Hattan

*Assistant Examiner* — Leanne Was-Englehart

(74) *Attorney, Agent, or Firm* — Frost Brown Todd, LLC

(73) Assignee: **Clarkwestern Dietrich Building Systems LLC**, West Chester, OH (US)

(57) **CLAIM**

(\*\*) Term: **15 Years**

The ornamental design for a slide clip with external flanges, as shown and described.

(21) Appl. No.: **29/576,925**

(22) Filed: **Sep. 8, 2016**

(51) **LOC (11) Cl.** ..... **25-01**

(52) **U.S. Cl.**  
USPC ..... **D25/199**

(58) **Field of Classification Search**  
USPC ..... D8/349, 354, 373, 380, 382; D25/61, D25/133, 199

CPC ..... E04B 1/36; E04B 1/40; E04B 1/98; E04B 1/2403; E04B 1/4185; E04B 1/7616; E04B 2/58; E04B 2/88; E04B 2/96; E04B 2/766; E04B 2/767; E04B 2/768; E04B 2/7453; A47B 96/06; F16M 13/02

See application file for complete search history.

(56) **References Cited**

U.S. PATENT DOCUMENTS

2,235,761 A 3/1941 Goldsmith  
2,365,478 A 12/1944 La Grotta  
3,350,830 A 11/1967 Smith et al.

(Continued)

FOREIGN PATENT DOCUMENTS

CA 2165643 A1 6/1996  
CA 2243897 A1 2/1999

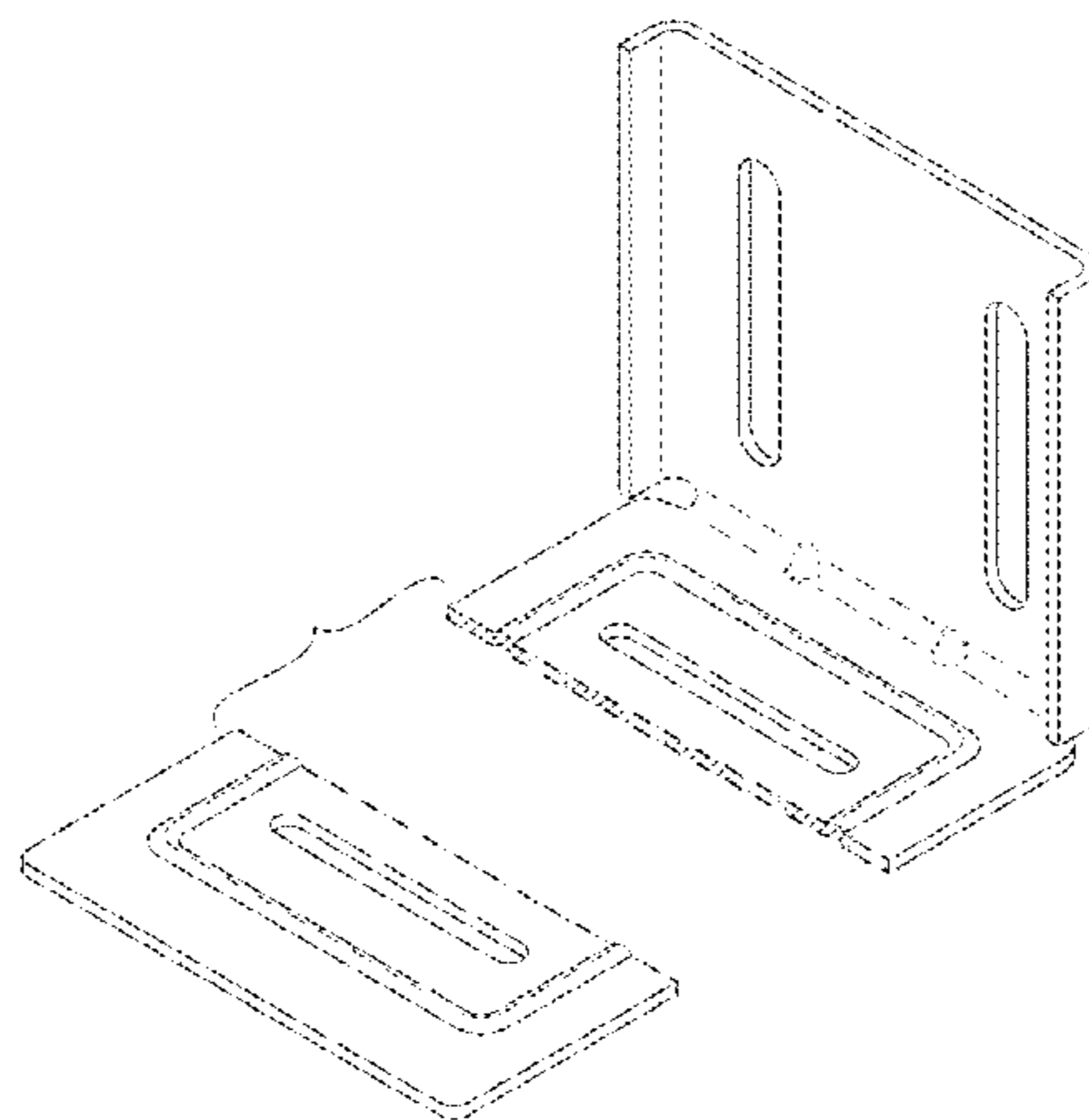
(Continued)

**DESCRIPTION**

FIG. 1 is a top perspective view of a slide clip with external flanges, showing our new design; FIG. 2 is a bottom perspective thereof; FIG. 3 is a front elevational view thereof; FIG. 4 is a back elevational view thereof; FIG. 5 is a left elevational view thereof; FIG. 6 is a right elevational view thereof; FIG. 7 is a top plan view thereof; FIG. 8 is a bottom plan view thereof; and, FIG. 9 is a perspective assembly view of the slide clip with external flanges of FIG. 1 installed in an exemplary building structure.

The slide clip with external flanges is shown with a symbolic break in its length of one of the plates. The symbolic break lines are depicted using brackets and dot-dash lines. The appearance of any portion of the slide clip with external flanges between the break lines forms no part of the claimed design. The stiffeners shown in dashed lines in FIGS. 1-9 and the fasteners and building structure shown in dashed lines in FIG. 9 are unclaimed subject matter, and form no part of the claimed design.

**1 Claim, 7 Drawing Sheets**



(56)

References Cited

U.S. PATENT DOCUMENTS

3,940,900 A 3/1976 Russo  
 4,022,415 A 5/1977 Roderick  
 4,131,221 A 12/1978 Yeager  
 4,263,764 A 4/1981 Wendt  
 4,363,459 A 12/1982 Holzer  
 D272,719 S 2/1984 Skjaeveland  
 4,709,517 A 12/1987 Mitchell  
 4,835,935 A 6/1989 Murphy  
 4,949,929 A \* 8/1990 Kesselman ..... A47B 96/06  
 248/220.1  
 5,169,062 A 12/1992 Baker  
 D339,735 S 9/1993 Brennan  
 5,392,579 A \* 2/1995 Champagne ..... E04D 1/34  
 52/520  
 5,392,581 A \* 2/1995 Hatzinikolas ..... E04B 1/4185  
 52/379  
 5,408,724 A 4/1995 Mullet  
 D360,571 S 7/1995 Perry  
 5,467,566 A 11/1995 Swartz et al.  
 D371,506 S 7/1996 Nofziger  
 D375,038 S 10/1996 Trevorrow  
 5,572,844 A 11/1996 Stackenwalt et al.  
 5,664,392 A \* 9/1997 Mucha ..... E04B 2/96  
 248/262  
 5,664,754 A 9/1997 Gaenslen  
 5,671,580 A 9/1997 Chou  
 5,718,533 A 2/1998 Mullet  
 5,720,571 A \* 2/1998 Frobosilo ..... E04B 2/96  
 403/2  
 5,779,206 A 7/1998 Harris  
 D400,081 S 10/1998 Ibaragi  
 5,846,018 A \* 12/1998 Frobosilo ..... E04B 2/96  
 403/2  
 5,876,006 A 3/1999 Sharp et al.  
 5,904,023 A 5/1999 diGirolamo et al.  
 5,906,080 A \* 5/1999 diGirolamo ..... E04B 2/7453  
 411/546  
 D414,398 S 9/1999 Benz et al.  
 D420,565 S 2/2000 Griffiths  
 D432,901 S \* 10/2000 McDonald ..... D8/354  
 6,213,679 B1 \* 4/2001 Frobosilo ..... E04B 2/82  
 403/14  
 D442,471 S \* 5/2001 Willett ..... D8/354  
 D451,786 S 12/2001 Wyatt  
 6,508,447 B1 1/2003 Catani et al.  
 6,612,087 B2 9/2003 diGirolamo et al.  
 6,688,069 B2 2/2004 Zadeh  
 6,792,733 B2 9/2004 Wheeler et al.  
 7,104,024 B1 9/2006 diGirolamo et al.  
 D530,191 S \* 10/2006 Taylor ..... D25/199  
 7,174,690 B2 2/2007 Zadeh  
 7,299,593 B1 11/2007 diGirolamo et al.  
 D569,232 S 5/2008 Yoshida  
 7,478,508 B2 1/2009 Peterson  
 7,533,508 B1 5/2009 diGirolamo et al.  
 D621,692 S 8/2010 Clarke  
 D628,539 S 12/2010 Tezak et al.  
 D630,346 S \* 1/2011 Horta ..... D25/199  
 D644,503 S \* 9/2011 Crane ..... D8/354  
 D652,951 S 1/2012 Crane et al.  
 8,181,419 B1 5/2012 diGirolamo  
 D663,020 S 7/2012 Purnell  
 D663,190 S 7/2012 Mota et al.  
 D667,288 S \* 9/2012 Preda ..... D8/354  
 D667,289 S \* 9/2012 Preda ..... D8/354  
 8,387,321 B2 3/2013 diGirolamo et al.  
 8,511,032 B2 8/2013 Abdel-Rahman et al.  
 8,555,592 B2 \* 10/2013 Daudet ..... E04B 1/2403  
 52/489.1  
 D692,746 S 11/2013 Lawson et al.  
 8,615,942 B2 12/2013 LaFreniere  
 8,683,770 B2 4/2014 diGirolamo et al.  
 8,950,151 B2 2/2015 Strickland et al.  
 9,010,070 B2 4/2015 Darr, III et al.

D729,611 S 5/2015 Schmidt  
 D730,545 S \* 5/2015 Stauffer ..... D25/133  
 D731,876 S 6/2015 Di Stefano  
 D732,708 S \* 6/2015 Stauffer ..... D25/133  
 D740,108 S 10/2015 Di Stefano  
 9,234,344 B2 \* 1/2016 Hatzinikolas ..... E04B 1/94  
 9,255,403 B1 2/2016 Lehane et al.  
 D751,222 S 3/2016 Darr, III et al.  
 D751,733 S 3/2016 Darr, III et al.  
 D753,638 S 4/2016 Tatem et al.  
 D766,701 S 9/2016 Snell  
 D769,698 S 10/2016 Oltrogge  
 D774,874 S 12/2016 Wentzel et al.  
 9,663,948 B2 5/2017 Lehane et al.  
 2002/0023405 A1 \* 2/2002 Zadeh ..... E04B 1/2403  
 52/714  
 2005/0279901 A1 12/2005 McCoy et al.  
 2006/0096192 A1 5/2006 Daudet  
 2008/0163581 A1 7/2008 Greth  
 2009/0193750 A1 8/2009 Klima  
 2010/0126103 A1 \* 5/2010 diGirolamo ..... E04B 2/58  
 52/655.1  
 2012/0247059 A1 \* 10/2012 Daudet ..... E04B 1/2403  
 52/705  
 2015/0308098 A1 \* 10/2015 Tessadori ..... E04F 13/0807  
 52/698  
 2017/0204599 A1 \* 7/2017 Daudet ..... E04B 1/2403

FOREIGN PATENT DOCUMENTS

CA 2217076 A1 4/1999  
 CA 2260554 A1 7/1999  
 CA 2463747 C 1/2011  
 CA 2830677 A1 10/2012  
 CA 2940128 A1 10/2012  
 CN 303539282 \* 1/2016  
 JP D1330583 \* 5/2008  
 WO WO 2010/009727 A1 1/2010  
 WO WO 2016/028500 A1 2/2016

OTHER PUBLICATIONS

<https://www.steelnetwork.com/Product/DriftTrakDTSL> Available Apr. 1, 2016 (Year: 2016).  
 Curtainwall Deflection Solutions, Super Stud Building Products, Inc., Brochure, 2001, 24 pgs.  
 DESC—Exterior Head-of-Wall Drift Clip, SCAFCO Steel Stud Company, Jun. 26, 2016, downloaded from <http://www.scafco.com/steel/products/deflection-clips/desc-exterior-head-of-wall-multi-drift-clip>, 2 pgs.  
 DISC—Interior Head-of-Wall Drift Clip, SCAFCO Steel Stud Company, Jun. 26, 2016, downloaded from <http://www.scafco.com/steel/products/deflection-clips/disc-interior-head-of-wall-multi-drift-clip>, 2 pgs.  
 DPLC2—Bypass Slab Drift Clip, SCAFCO Steel Stud Company, Jun. 16, 2016, downloaded from <http://www.scafco.com/steel/products/deflection-clips/dplc2-bypass-slab-drift-clip>, 2 pgs.  
 Drift-Clip Bypass Framing Connector, Tech Sheet, Simpson Strong-Tie Company, Inc., May 2016, 2 pgs.  
 DriftTrak® DTSL, Tech Sheet, The Steel Network, Inc. (TSN), 2012, downloaded Jul. 6, 2017 from <https://web.archive.org/web/2012100802319/http://www.steelnetwork.com/product/drift-rakdtsl>, 2 pg.  
 DriftTrak® DTSLB, Tech Sheet, The Steel Network, Inc. (TSN), 2012, downloaded Jul. 6, 2017 from <http://web.archive.org/web/20121008022926/http://www.steelnetwork.com/product/drift-trakdtslb>, 3 pgs.  
 DWSC Slide Clips, FrameRite Connectors, Marino Ware, Jun. 16, 2016, downloaded from <http://www.maraioware.com/Products/frameriteConn.asp?prod=5>, 1 pg.  
 PLC4—Bypass Slab Slide Clip, SCAFCO Steel Stud Company, Jun. 7, 2017, downloaded from <http://www.scafco.com/steel/products/deflection-clips/plc4-bypass-slide-clip>, 2 pgs.  
 SCHA Slide-Clip Connectors for Horizontal Anchorage, Tech Sheet, Simpson Strong-Tie Company, Inc., Jan. 2016, 4 pgs.

(56)

**References Cited**

OTHER PUBLICATIONS

SCW Head-of-Wall Slide-Clip Connectors, Submittal/Substitution Technical Information, Simpson Strong-Tie Company, Inc., Aug. 2016, 1 pg.

VertiClip® SLD, Interior Head of Wall, The Steel Network, Inc., Tech Sheet, Catalog pp. 11-12, 2016, downloaded from <https://www.steelnetwork.com/Product/VertiClipSLD>, 2 pgs.

Design U.S. Appl. No. 29/576,930, filed Sep. 8, 2016, Ralph et al.

Design U.S. Appl. No. 29/576,941, filed Sep. 8, 2016, Ralph et al.

Design U.S. Appl. No. 29/576,955, filed Sep. 8, 2016, Ralph et al.

Design U.S. Appl. No. 29/576,961, filed Sep. 8, 2016, Ralph et al.

Design U.S. Appl. No. 29/576,969, filed Sep. 8, 2016, Ralph et al.

U.S. Office Action, Notice of Allowance, dated Sep. 12, 2017 for U.S. Appl. No. 29/576,969, 7 pgs.

U.S. Office Action, Notice of Allowance, dated Sep. 18, 2017 for U.S. Appl. No. 29/576,961, 7 pgs.

\* cited by examiner

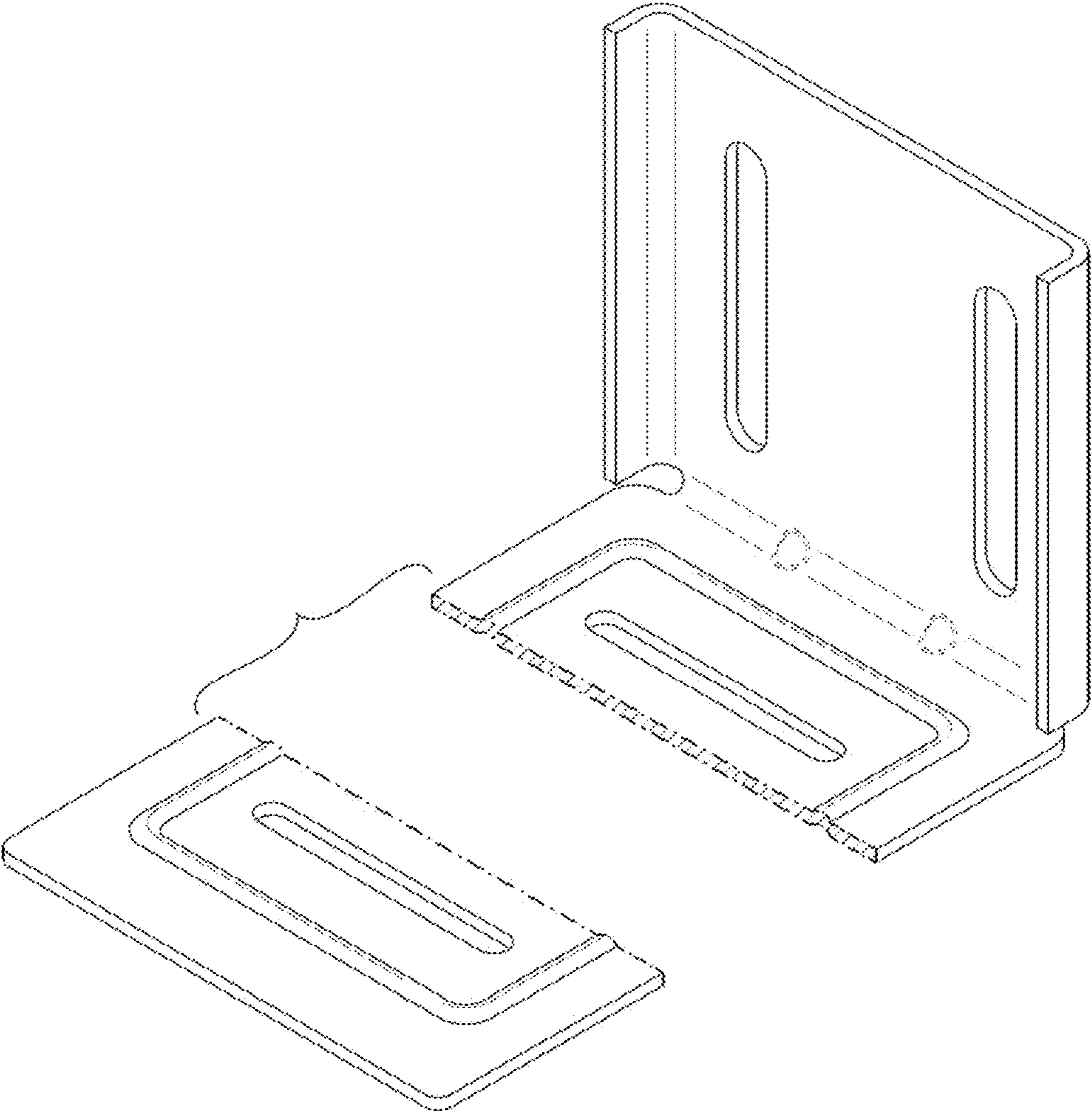


FIG. 1

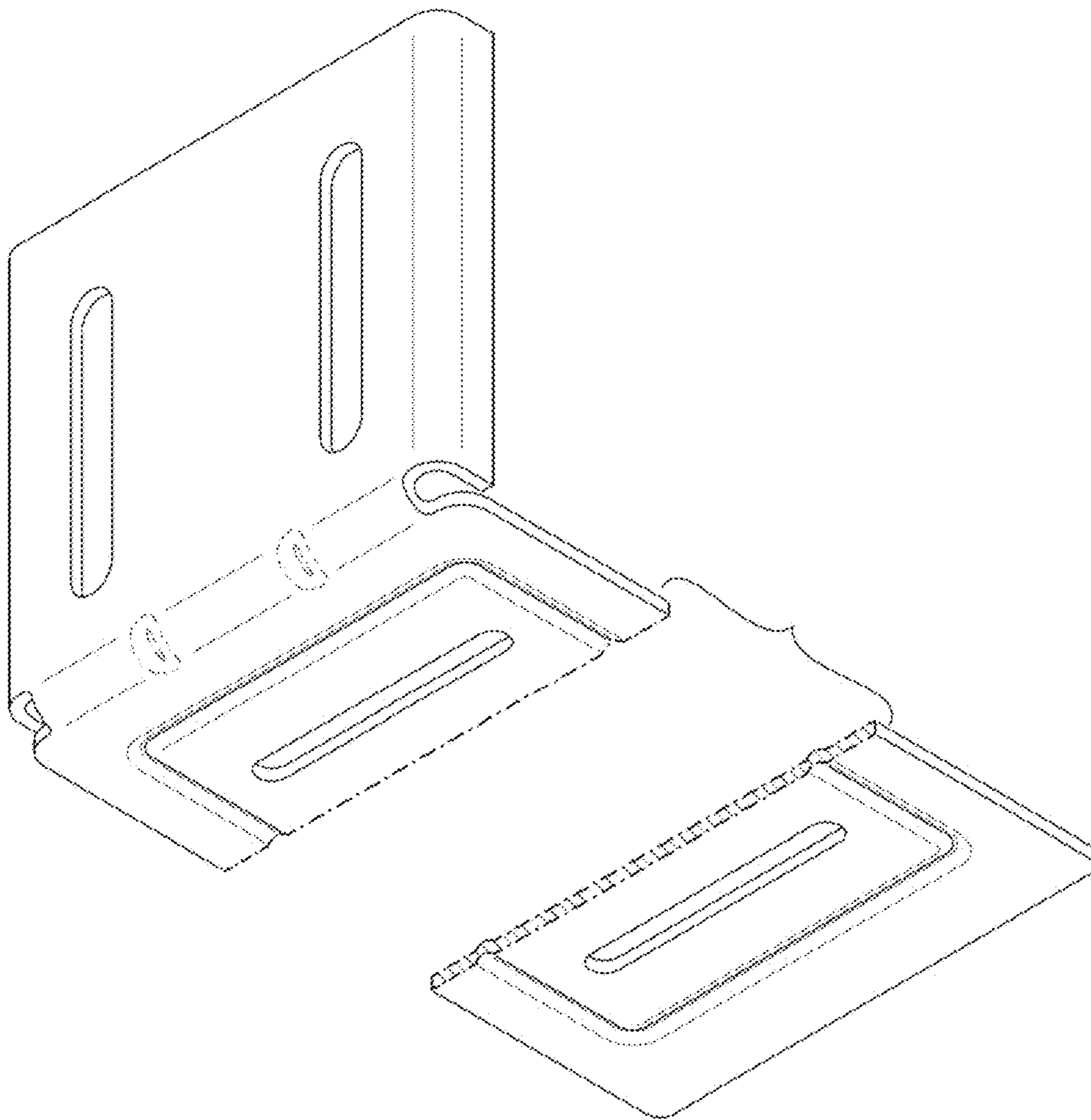


FIG. 2

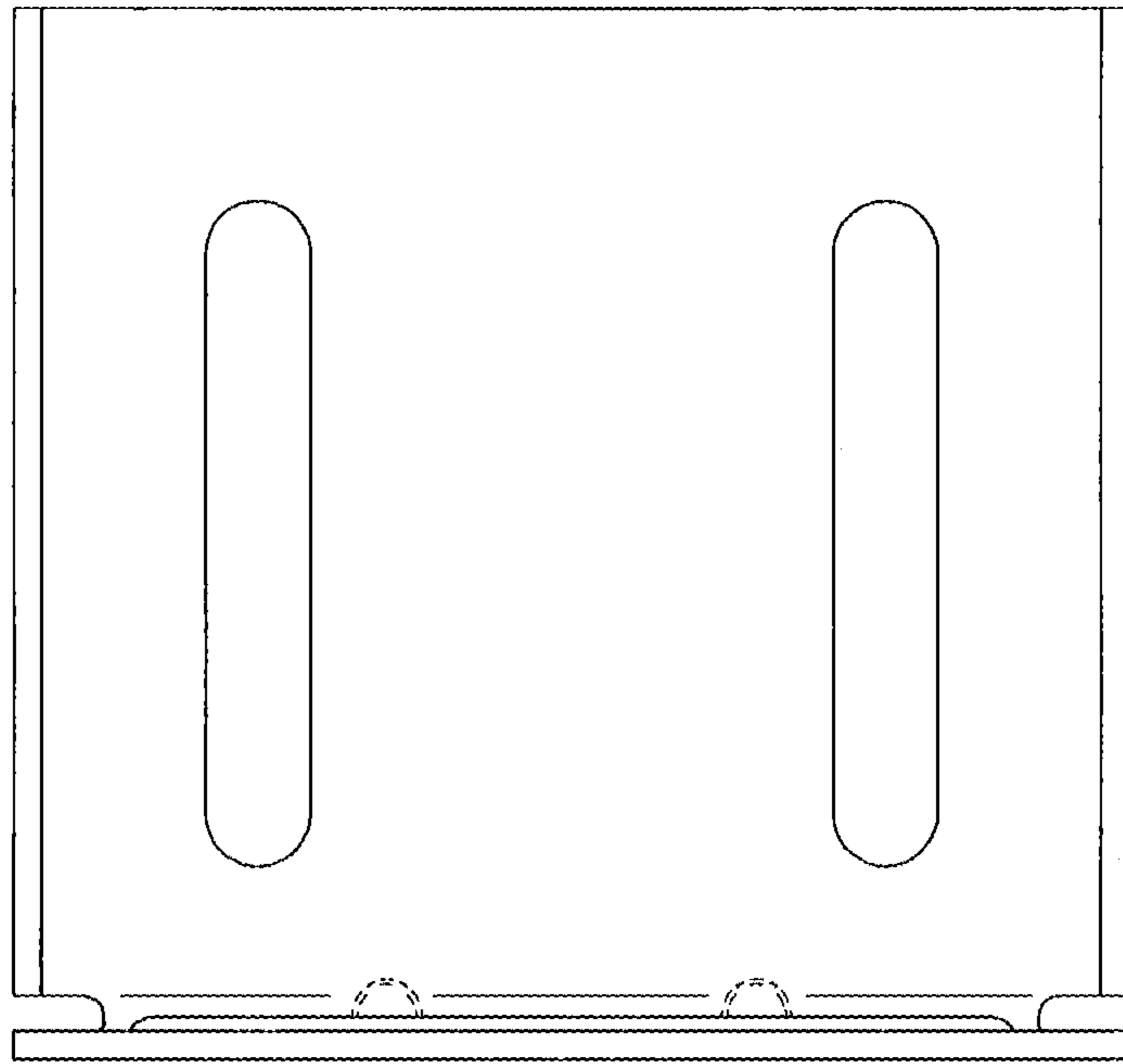


FIG. 3

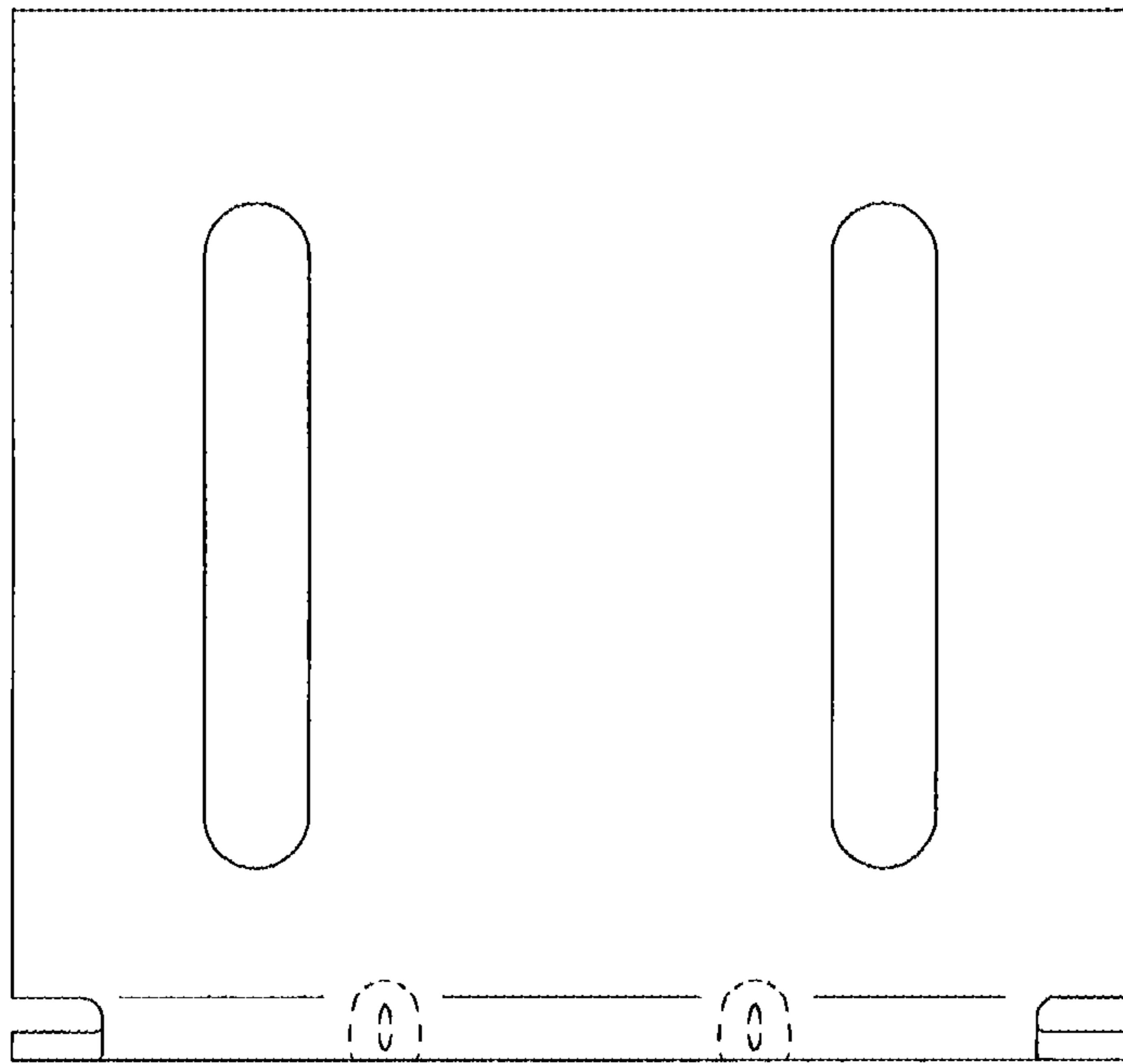


FIG. 4

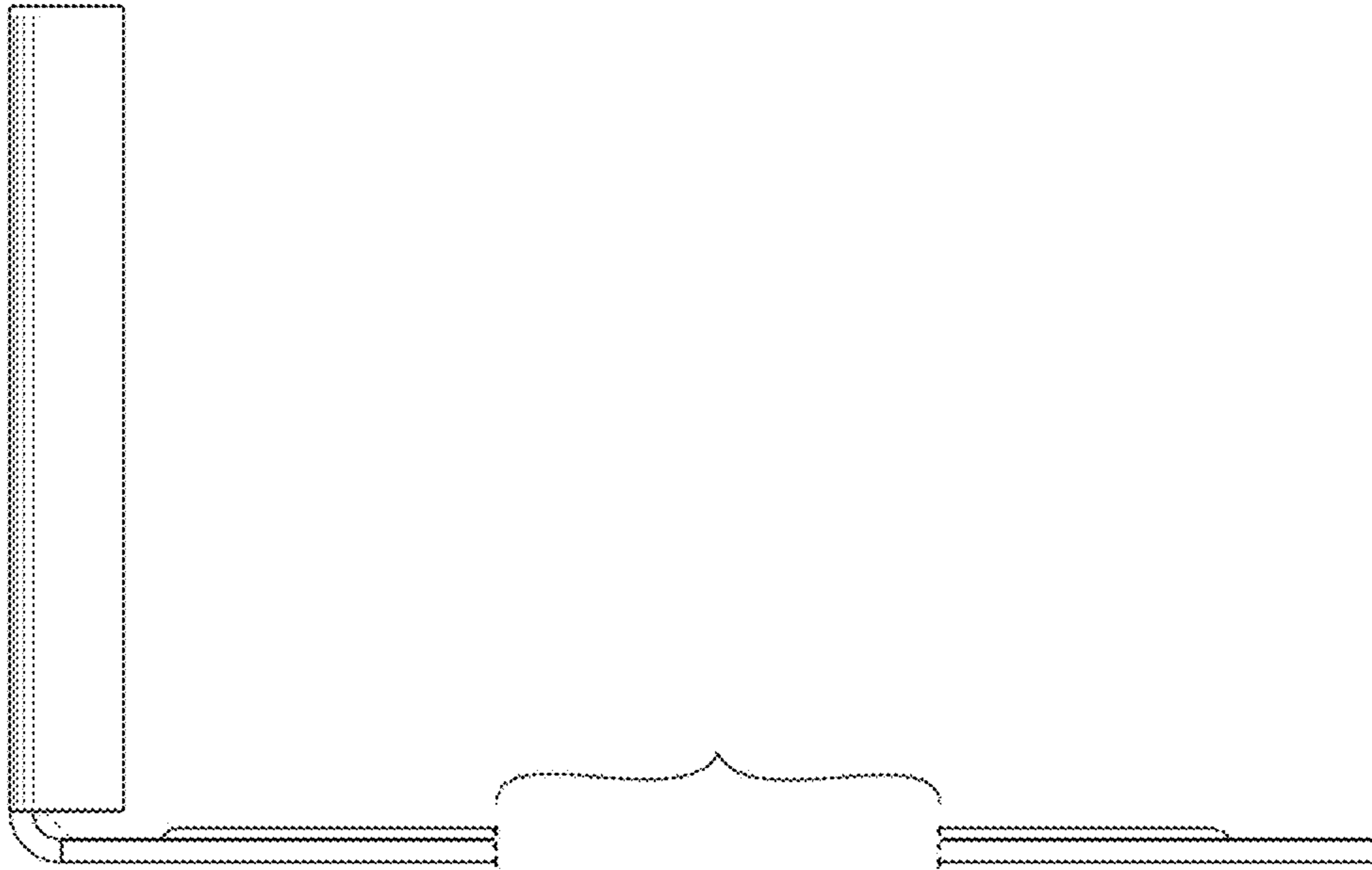


FIG. 5

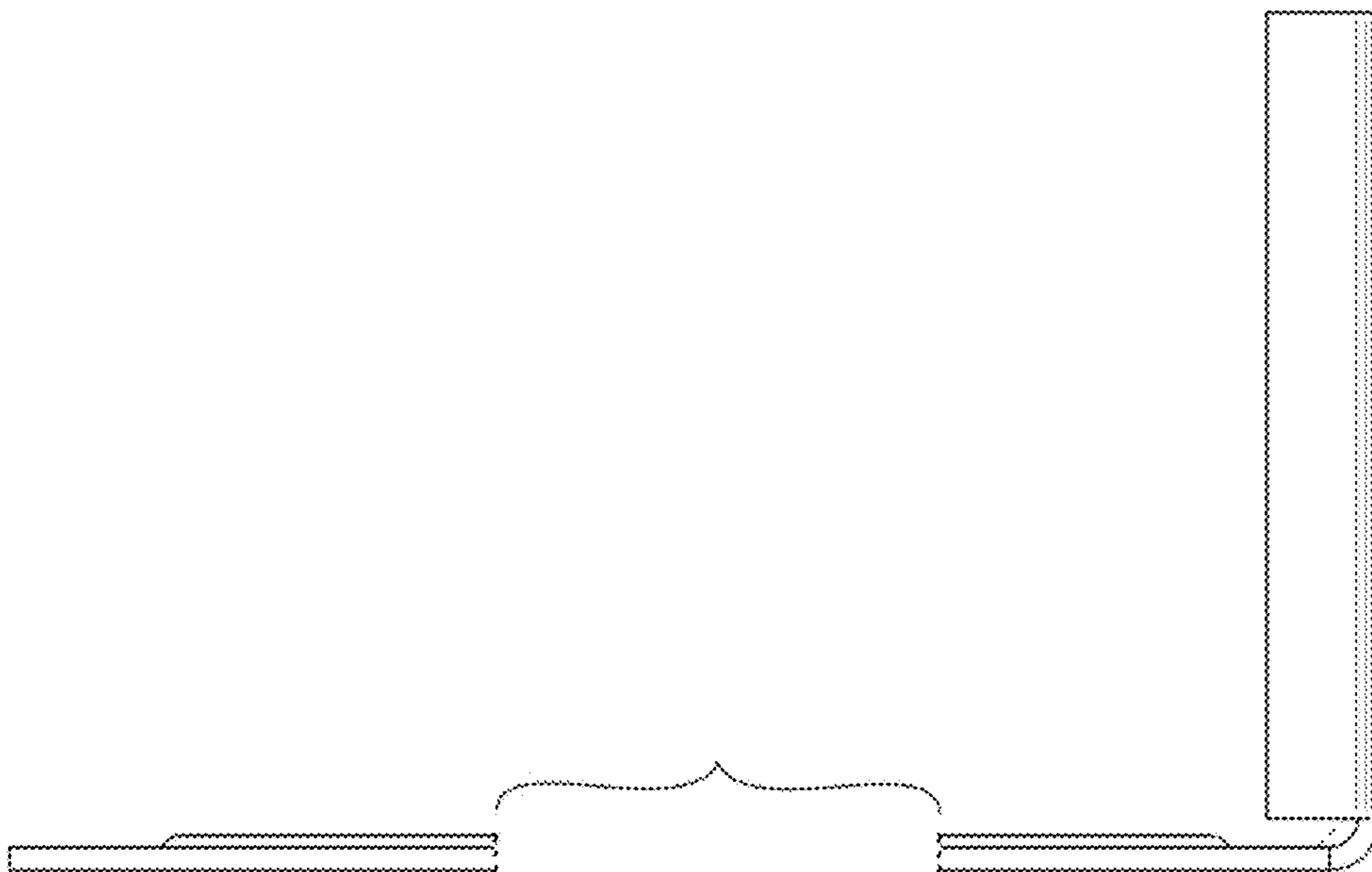


FIG. 6

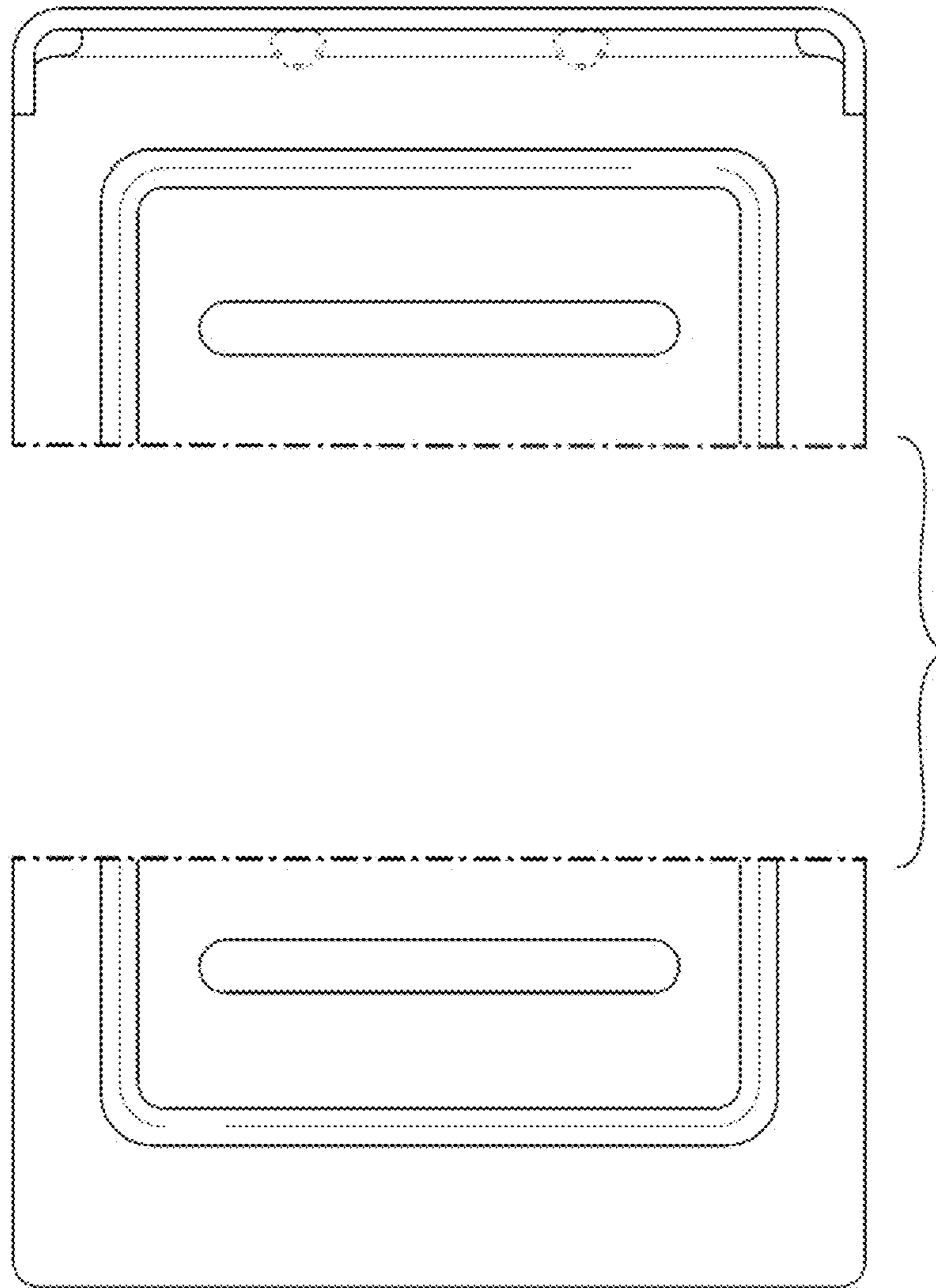


FIG. 7



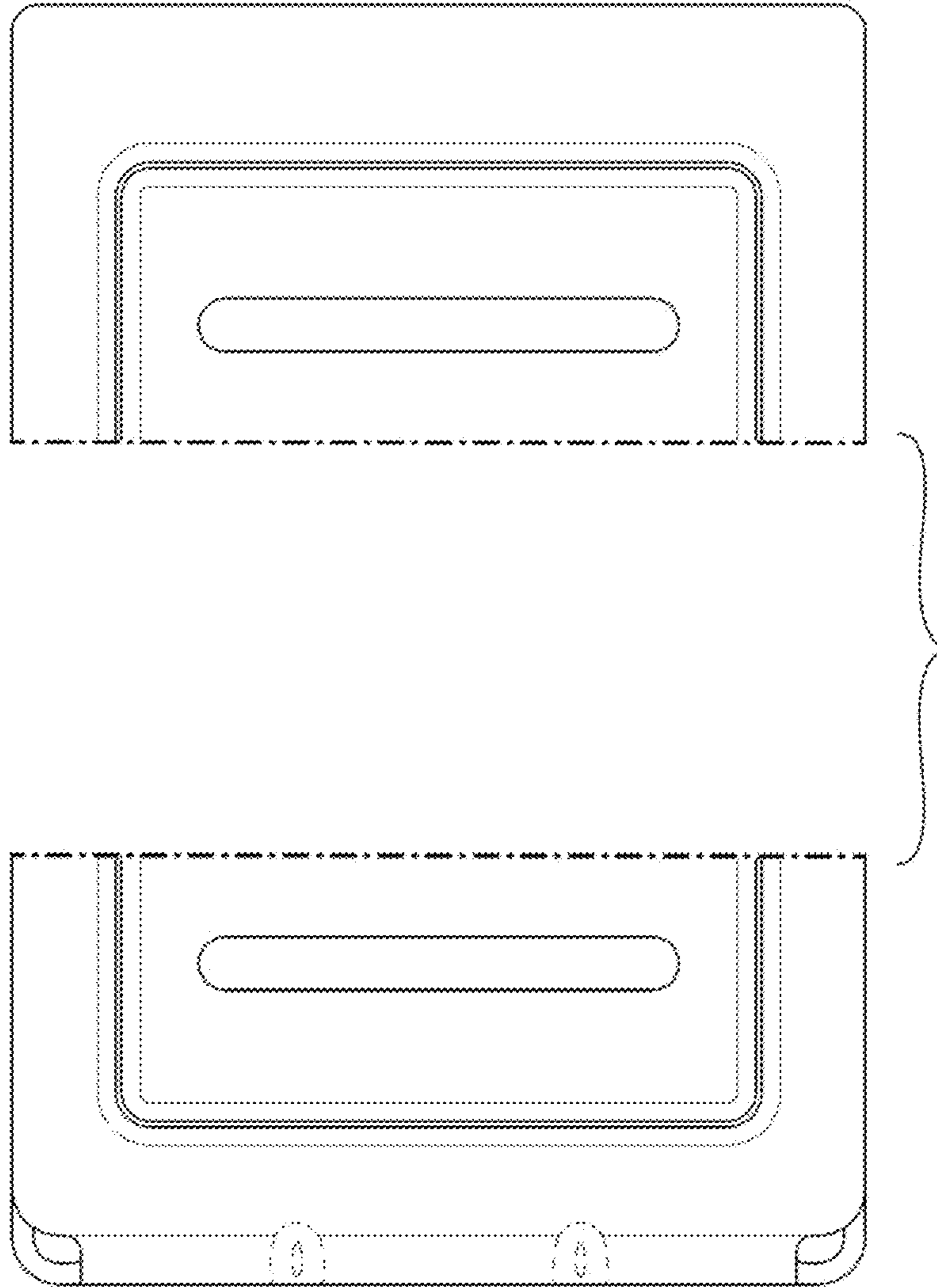


FIG. 8

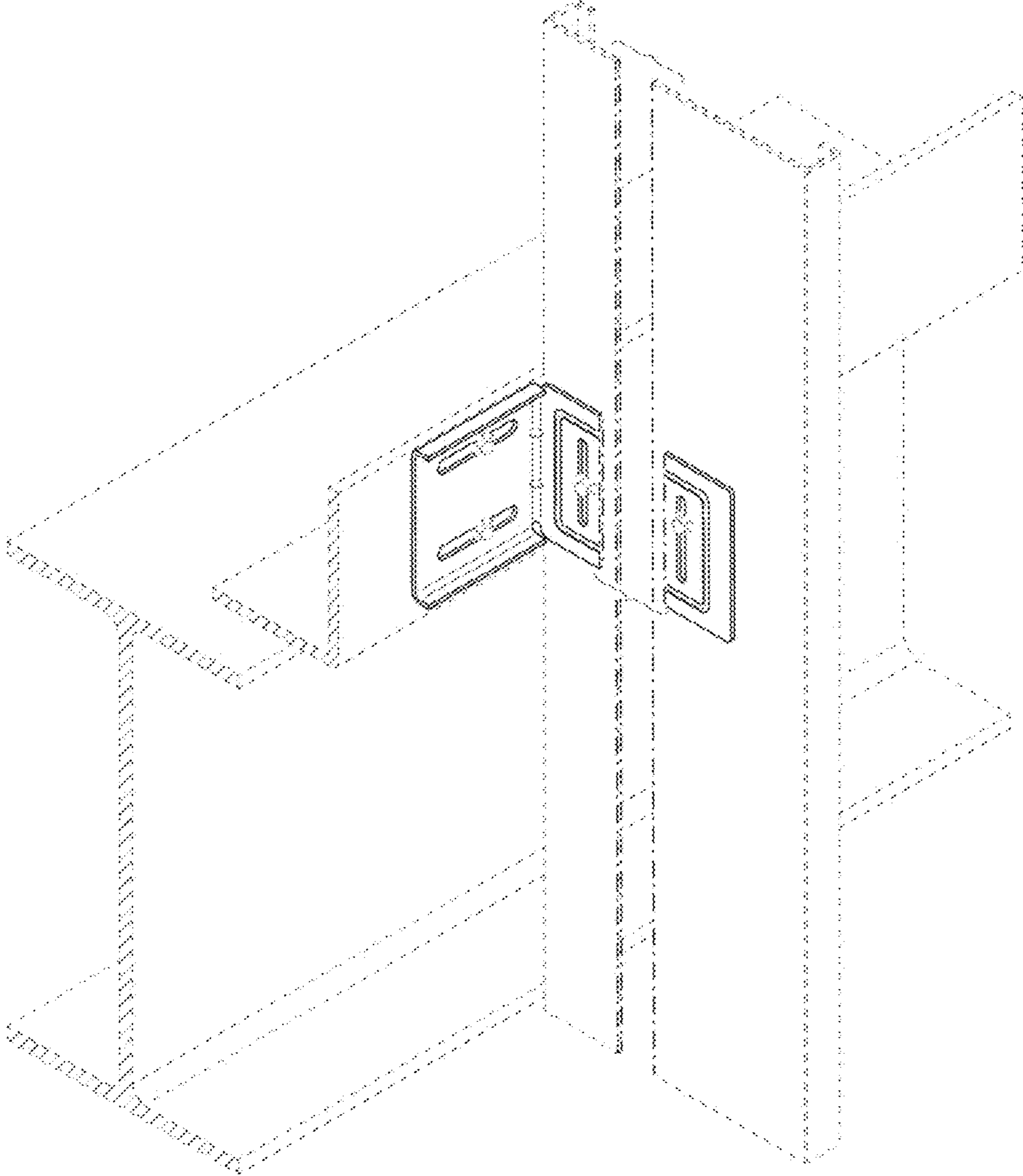


FIG. 9