



US00D815306S

(12) **United States Design Patent**
Norton et al.

(10) **Patent No.:** **US D815,306 S**
(45) **Date of Patent:** **** Apr. 10, 2018**

- (54) **BRIDGE PIECE**
- (71) Applicant: **Cleveland Reclaim Industries, Inc.**,
Lorain, OH (US)
- (72) Inventors: **Tom Norton**, Bay Village, OH (US);
Robert Mestdagh, Ackley, IA (US);
Dennis R Hildebrandt, Jr., North
Olmsted, OH (US); **Michael W
Jackson**, Wooster, OH (US)
- (73) Assignee: **Cleveland Reclaim Industries, Inc.**,
Lorain, OH (US)

D418,818 S * 1/2000 Henry D13/155
 6,202,565 B1 * 3/2001 Henry A62C 33/06
 104/275
 6,287,047 B1 * 9/2001 Dufresne E01F 9/529
 138/106
 D463,041 S * 9/2002 Dice D25/118
 6,508,041 B1 * 1/2003 Boot E04B 2/18
 52/578
 6,878,881 B1 * 4/2005 Henry H02G 9/02
 104/275
 D567,913 S * 4/2008 Norton D23/259
 8,678,704 B1 * 3/2014 Smith E02B 3/14
 405/16
 D725,748 S * 3/2015 Lake D23/259
 2002/0078513 A1 * 6/2002 Schouest B60P 1/43
 14/69.5

(**) Term: **15 Years**

(Continued)

(21) Appl. No.: **29/584,435**

Primary Examiner — Anhdao Doan

(22) Filed: **Nov. 15, 2016**

(74) Attorney, Agent, or Firm — Calfee, Halter &
Griswold, LLP

Related U.S. Application Data

(63) Continuation of application No. 29/522,823, filed on
Apr. 2, 2015, now Pat. No. Des. 772,431.

(51) **LOC (11) Cl.** **25-01**

(52) **U.S. Cl.**
USPC **D25/113**

(58) **Field of Classification Search**
USPC D25/113–118, 199; D23/259
CPC ... E04C 1/00; E04C 1/395; E04B 1/02; E02B
3/14; E02B 3/122; E02B 3/123; H02G
9/02; H02G 9/04; H02G 9/025
See application file for complete search history.

(56) **References Cited**

U.S. PATENT DOCUMENTS

D254,450 S * 3/1980 Pulse D21/502
 D298,464 S * 11/1988 Roote D25/117
 5,777,266 A * 7/1998 Herman H02G 9/02
 138/155

(57) **CLAIM**

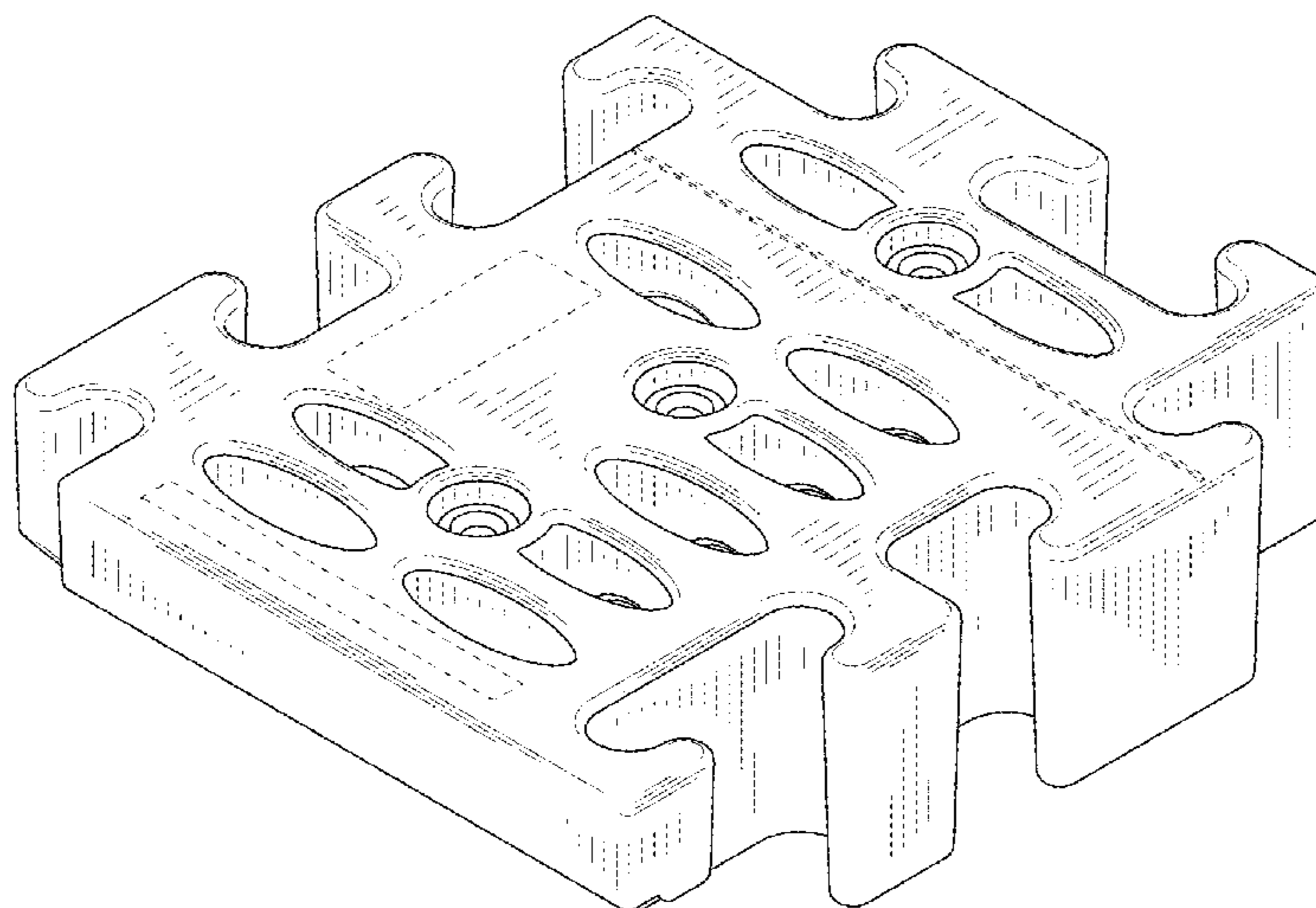
We claim the ornamental design for a bridge piece, as shown
and described.

DESCRIPTION

FIG. 1 is a front/left/top perspective view of a bridge piece;
 FIG. 2 is a rear/left/bottom perspective view thereof;
 FIG. 3 is a front elevational view thereof;
 FIG. 4 is a rear elevational view thereof;
 FIG. 5 is a right side elevational view thereof;
 FIG. 6 is a left side elevational view thereof;
 FIG. 7 is a top plan view thereof; and,
 FIG. 8 is a bottom plan view thereof.

The broken lines immediately adjacent the shaded areas
represent the bounds of the claimed design, while all other
broken lines are directed to environment and are for illus-
trative purposes only; the broken lines form no part of the
claimed design.

1 Claim, 5 Drawing Sheets



(56)

References Cited

U.S. PATENT DOCUMENTS

2010/0303555 A1* 12/2010 Herse E04C 1/395
405/286
2014/0119831 A1* 5/2014 Hill E02B 3/14
405/16

* cited by examiner

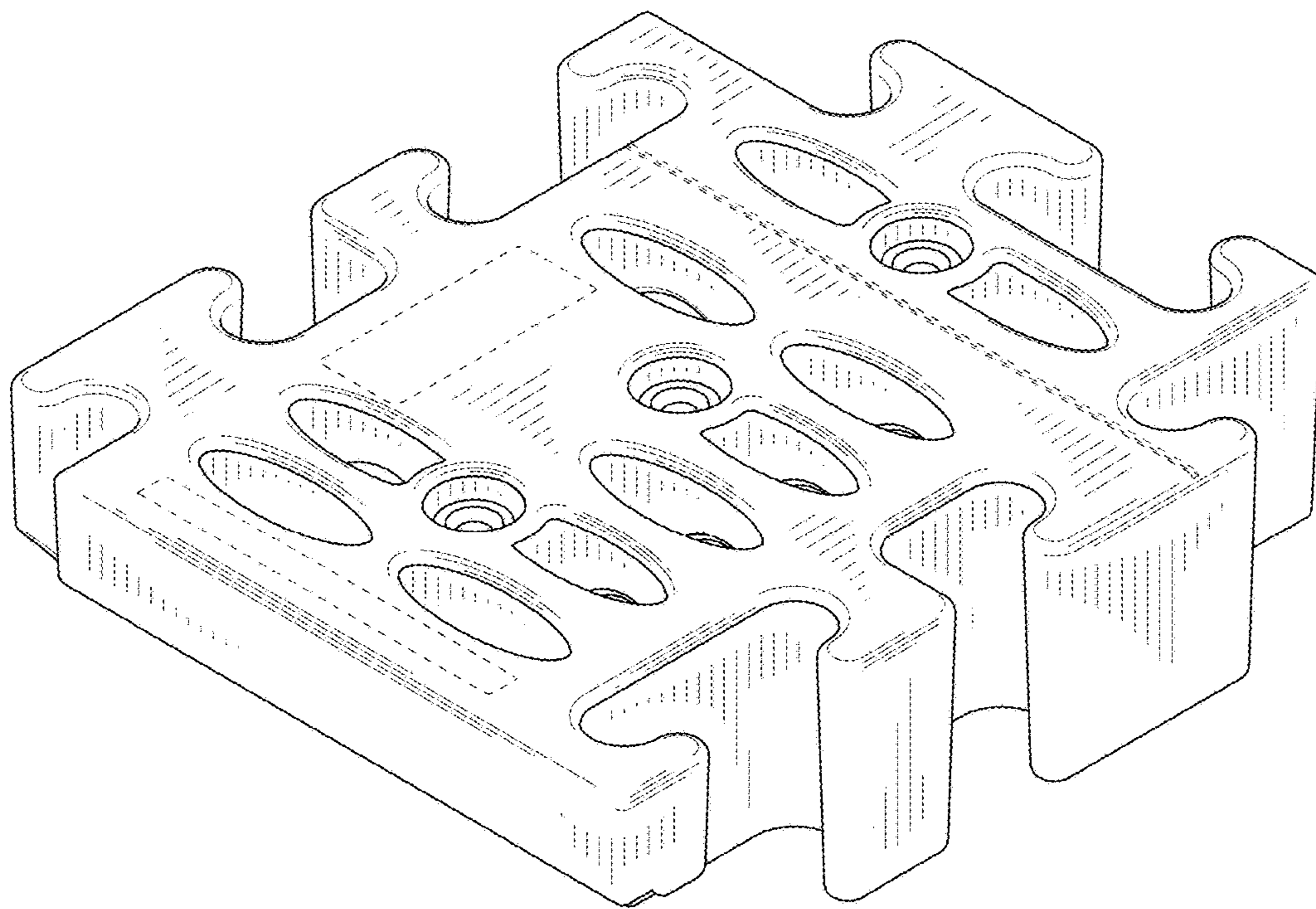


FIG. 1

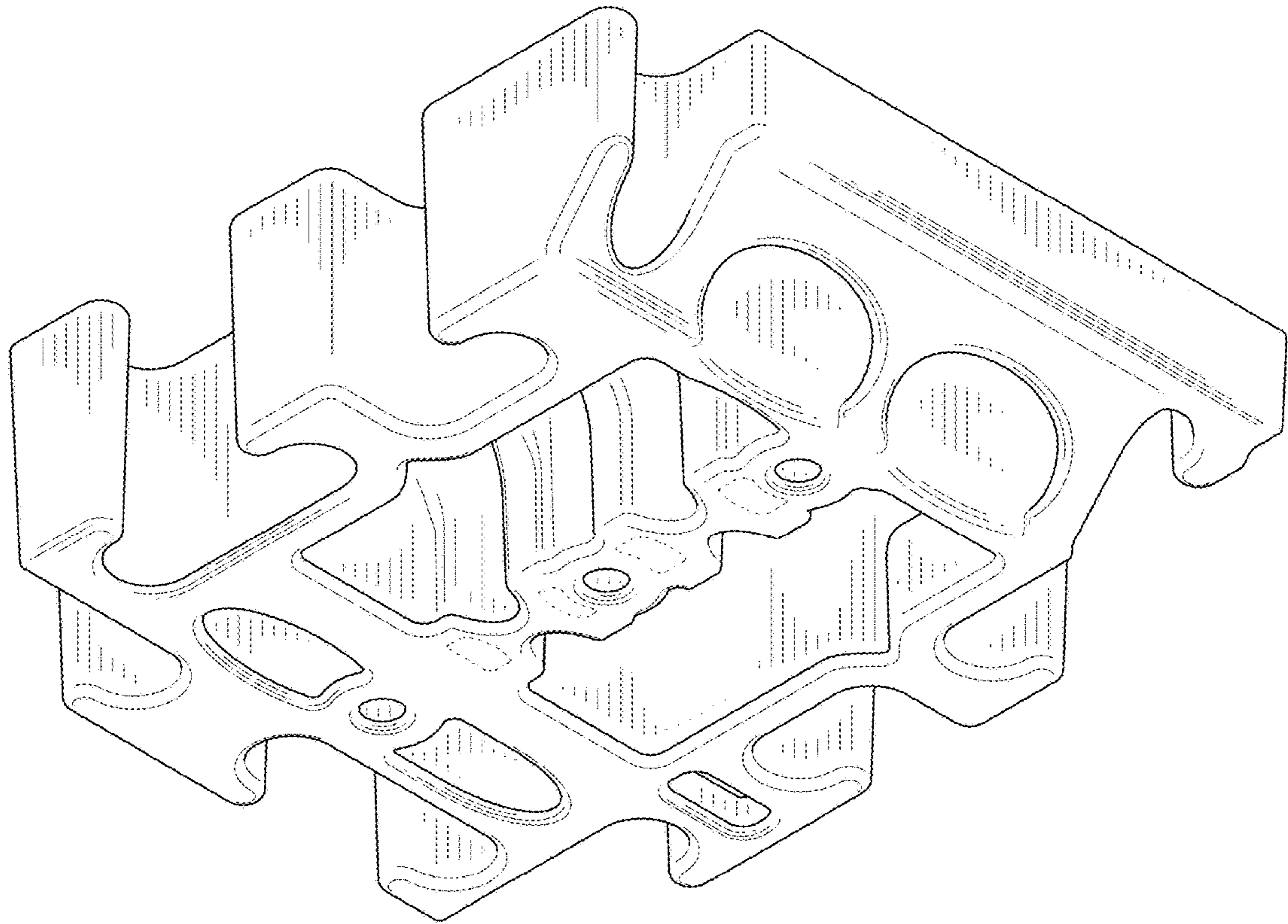


FIG. 2

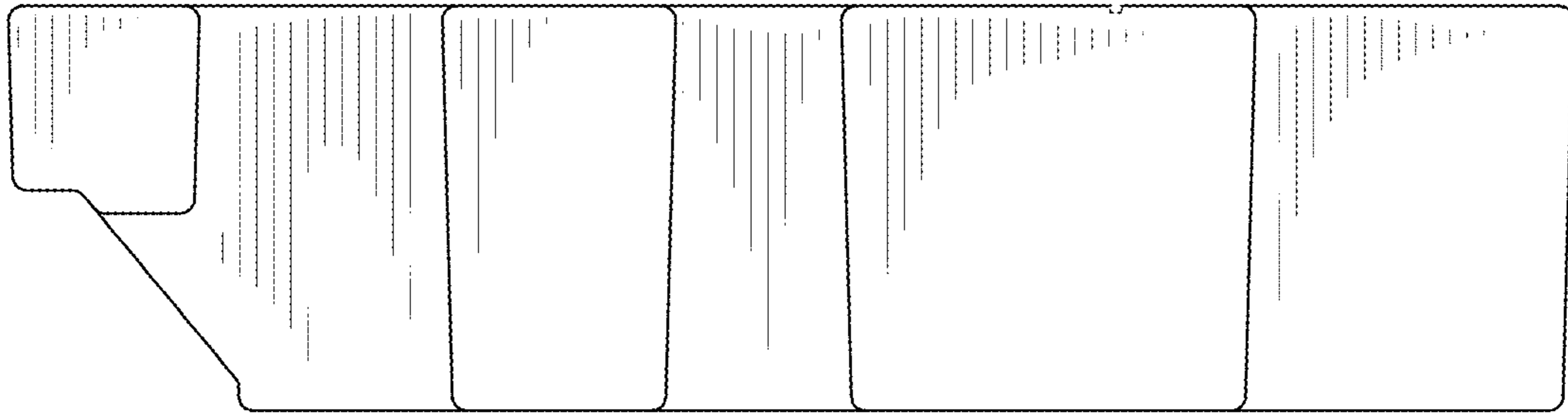


FIG. 3

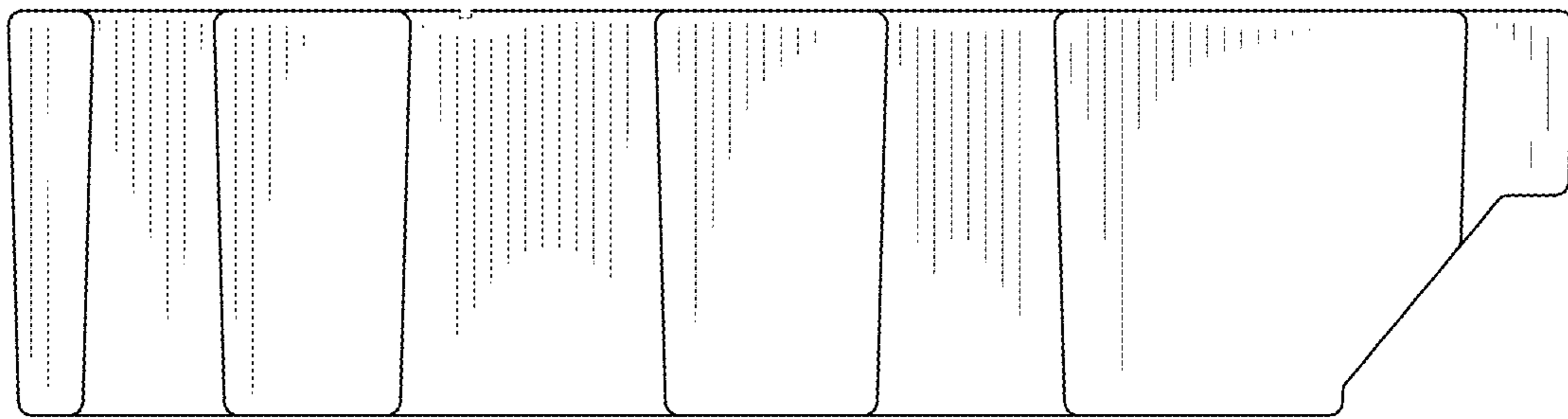


FIG. 4

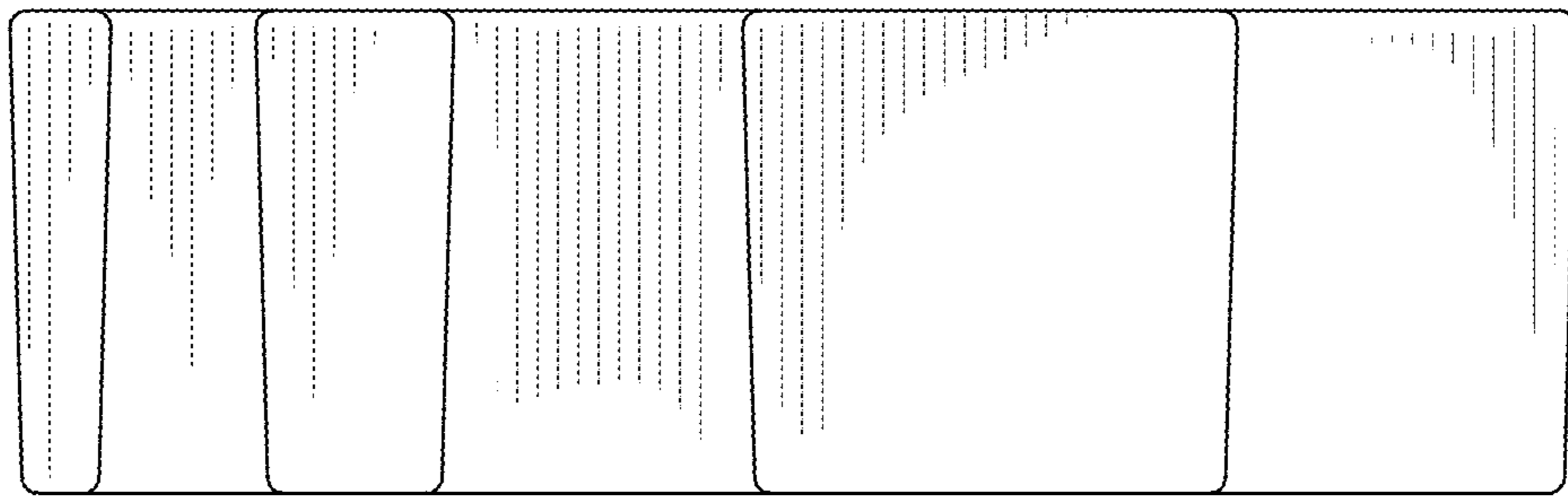


FIG. 5

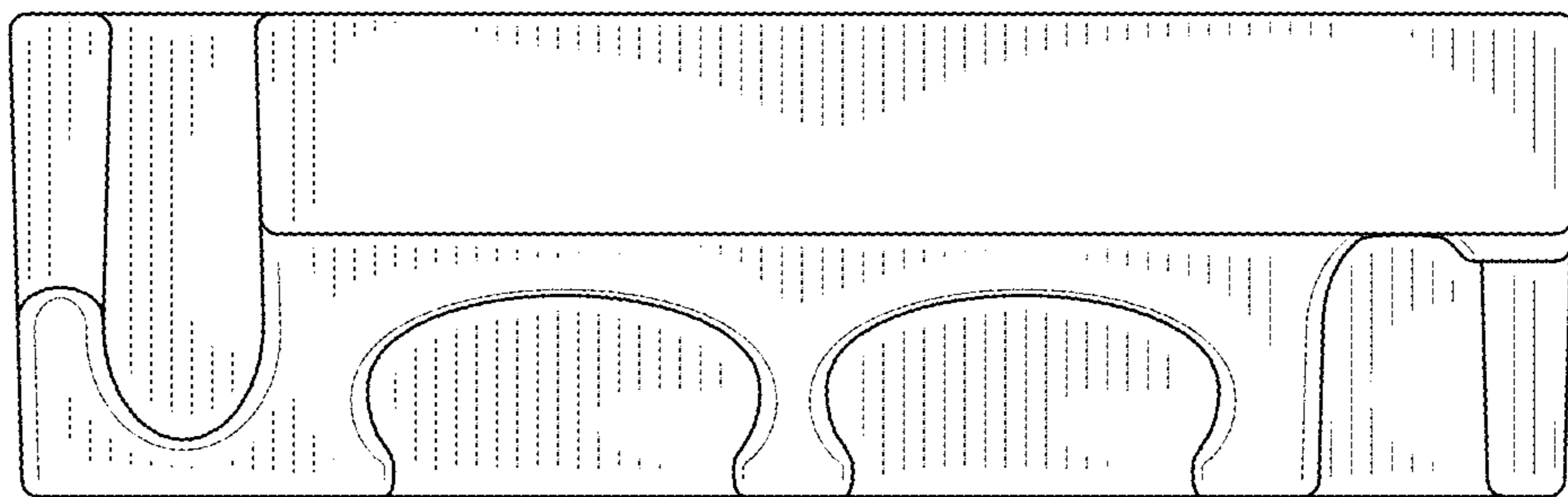


FIG. 6

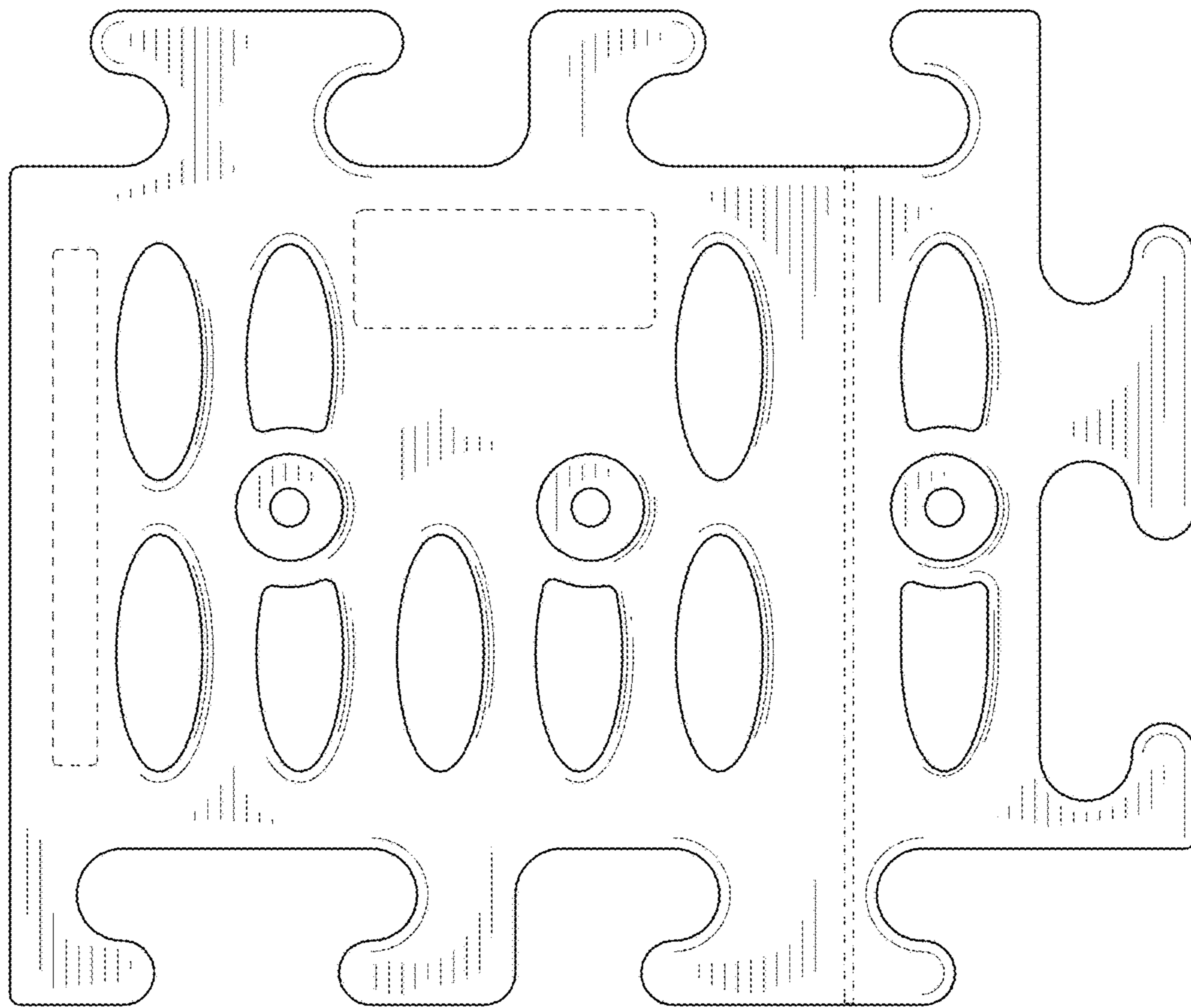


FIG. 7

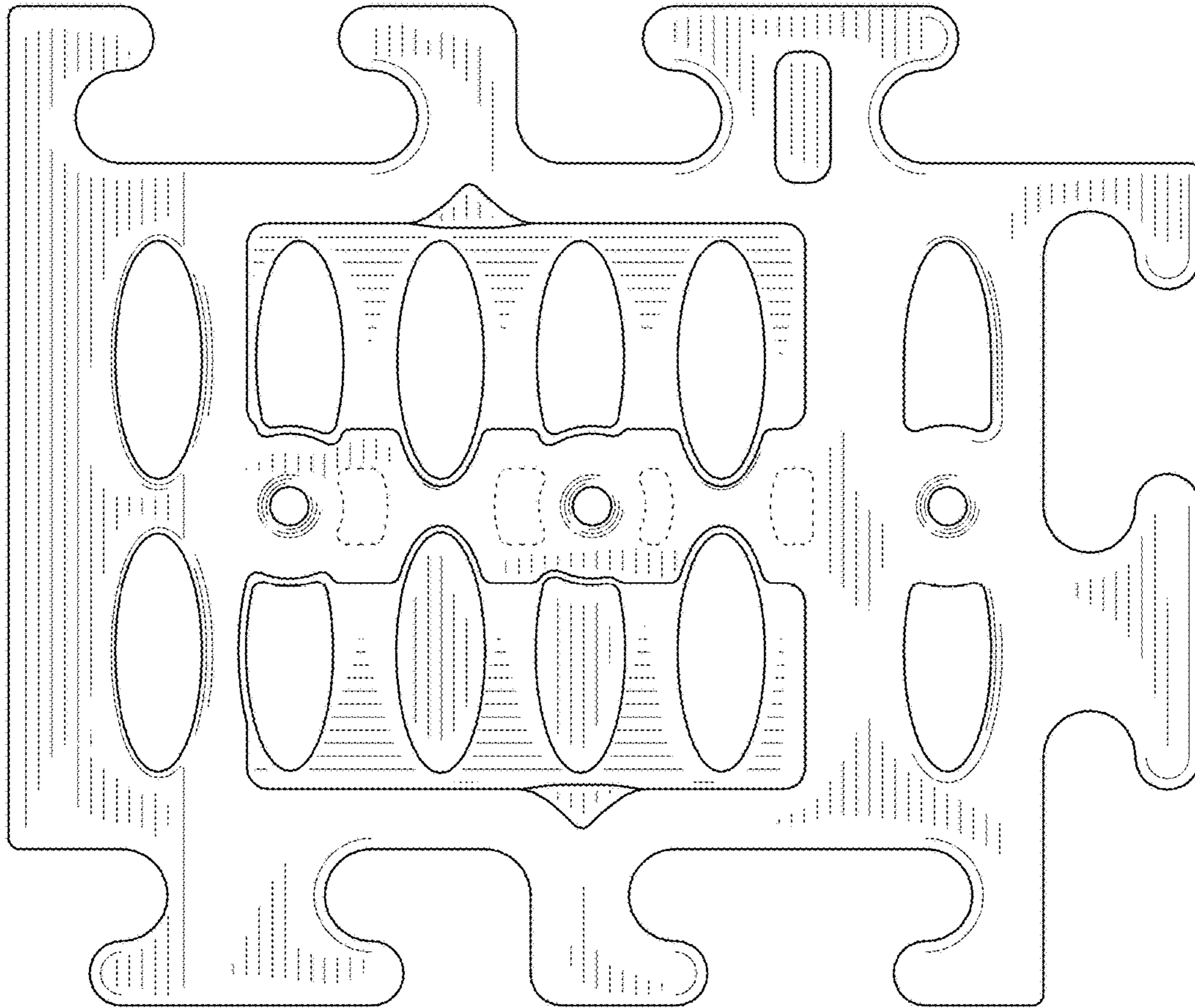


FIG. 8