



US00D815305S

(12) **United States Design Patent** (10) **Patent No.:** **US D815,305 S**
Alvarado et al. (45) **Date of Patent:** **** Apr. 10, 2018**

(54) **SUSPENSION BRACKET FOR WALLFORM**

(71) Applicants: **Henry G. Alvarado**, Buckeye, AZ
(US); **Kelan C. Quinn**, San Diego, CA
(US)

(72) Inventors: **Henry G. Alvarado**, Buckeye, AZ
(US); **Kelan C. Quinn**, San Diego, CA
(US)

(**) Term: **15 Years**

(21) Appl. No.: **29/576,320**

(22) Filed: **Sep. 1, 2016**

(51) **LOC (11) Cl.** **25-04**

(52) **U.S. Cl.**
USPC **D25/68**

(58) **Field of Classification Search**
USPC D8/16, 349, 354, 355, 373, 381, 382,
D8/499, 384; D25/58, 68, 69; 248/238,
248/210, 236, 200; 182/129, 151;
D6/300, 328, 329
CPC E04B 1/7629
See application file for complete search history.

(56) **References Cited**

U.S. PATENT DOCUMENTS

D313,163 S * 12/1990 Pace D8/384
D498,855 S * 11/2004 Dean D25/68

D608,183 S * 1/2010 Meyer D8/354
D736,606 S * 8/2015 Underkoffler D8/373
D748,454 S * 2/2016 Bird D8/354
D755,608 S * 5/2016 Lawson D8/354
D771,479 S * 11/2016 Slater D8/382
D794,426 S * 8/2017 Neste D8/354

* cited by examiner

Primary Examiner — Cynthia Ramirez
Assistant Examiner — Michael A Maharajh
(74) *Attorney, Agent, or Firm* — Charmasson, Buchaca,
Leach, LLP

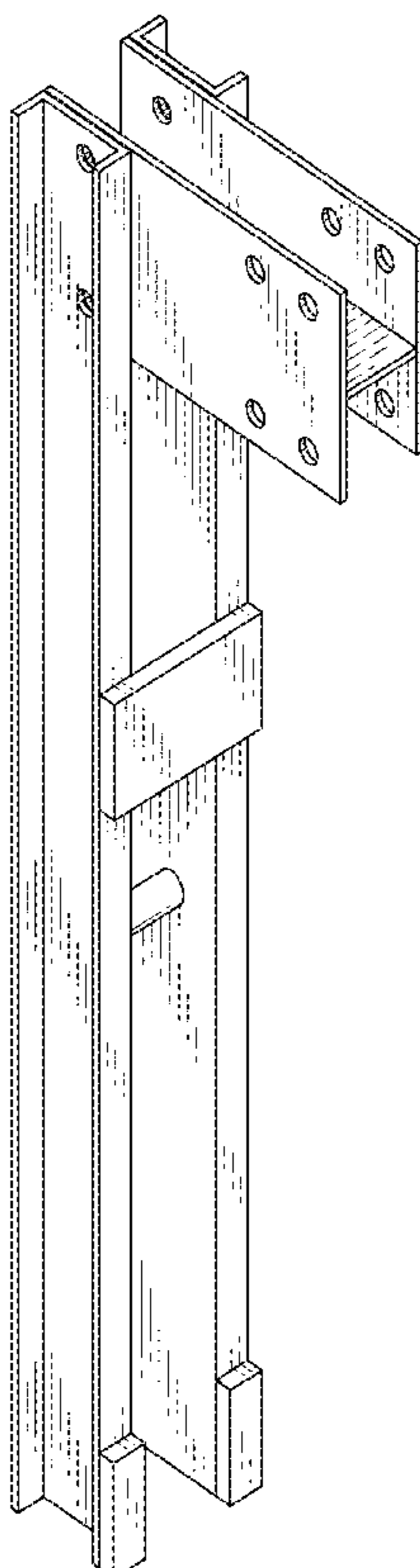
(57) **CLAIM**

The ornamental design for a suspension bracket for wall-form, as shown and described.

DESCRIPTION

FIG. 1 is a front, top, right perspective view of a suspension bracket for wallform, showing our new design.
FIG. 2 is a back, bottom, left perspective view thereof.
FIG. 3 is a front elevation view thereof.
FIG. 4 is a right-side elevation view thereof; the left-side elevation being a mirror image thereof.
FIG. 5 is a back elevation view thereof.
FIG. 6 is a top plan view thereof; and,
FIG. 7 is a bottom plan view thereof.

1 Claim, 2 Drawing Sheets



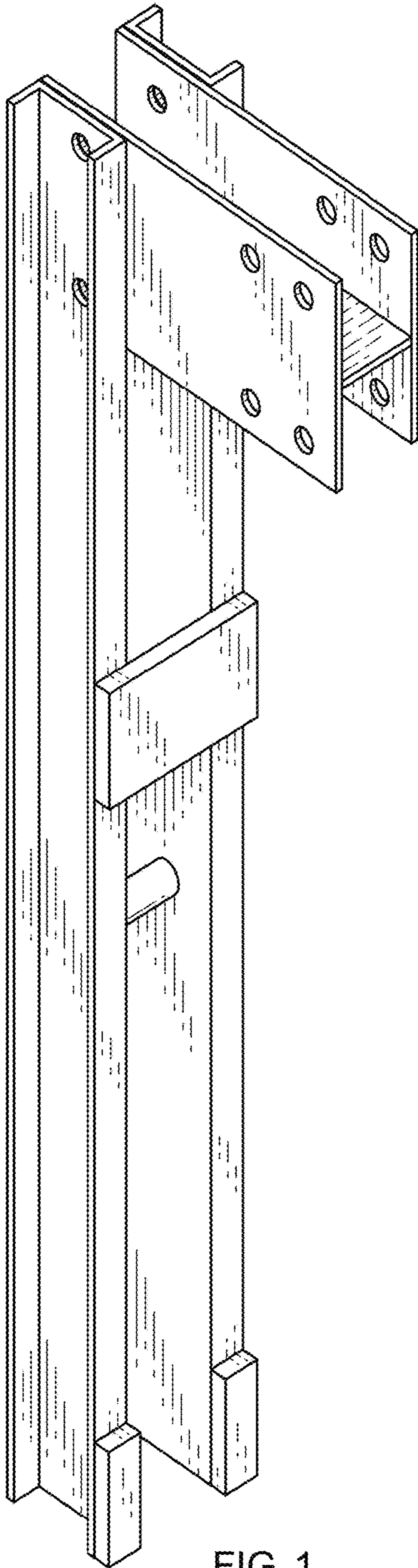


FIG. 1

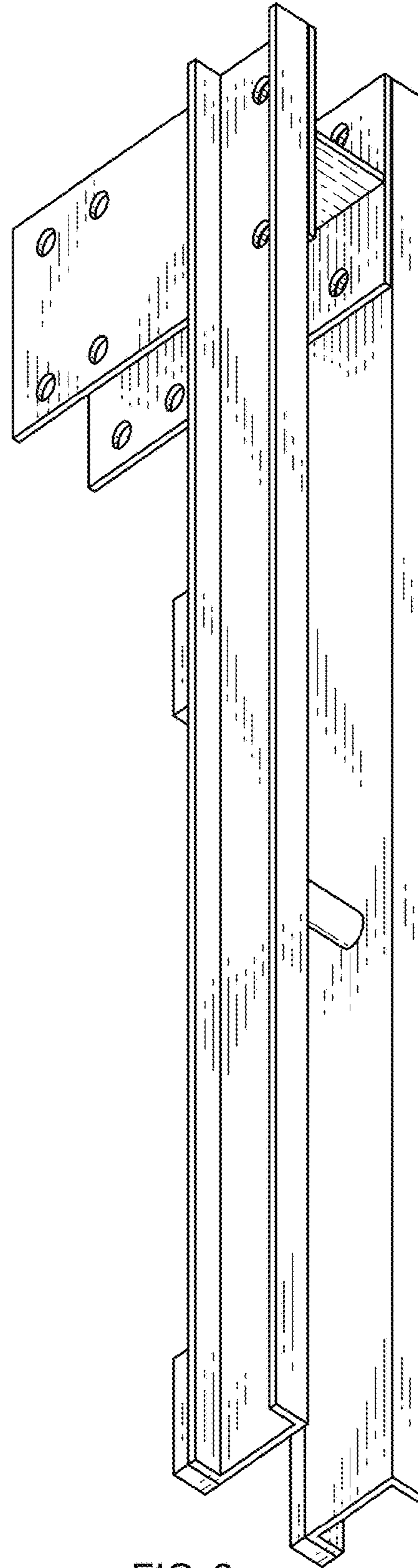


FIG. 2

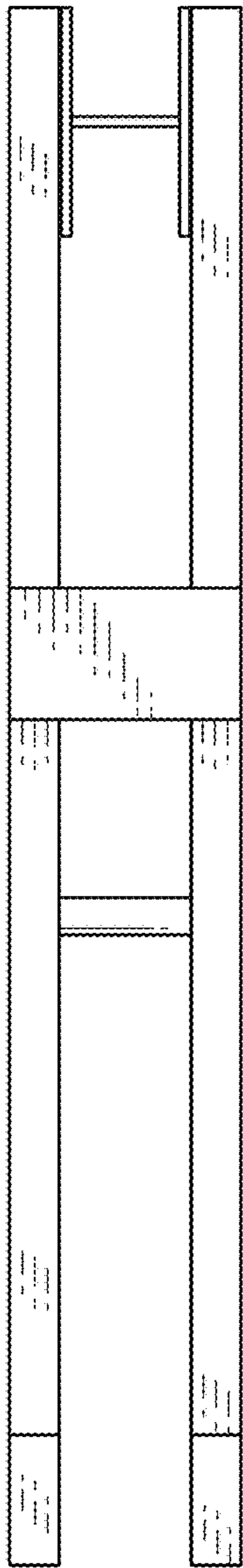


FIG. 3

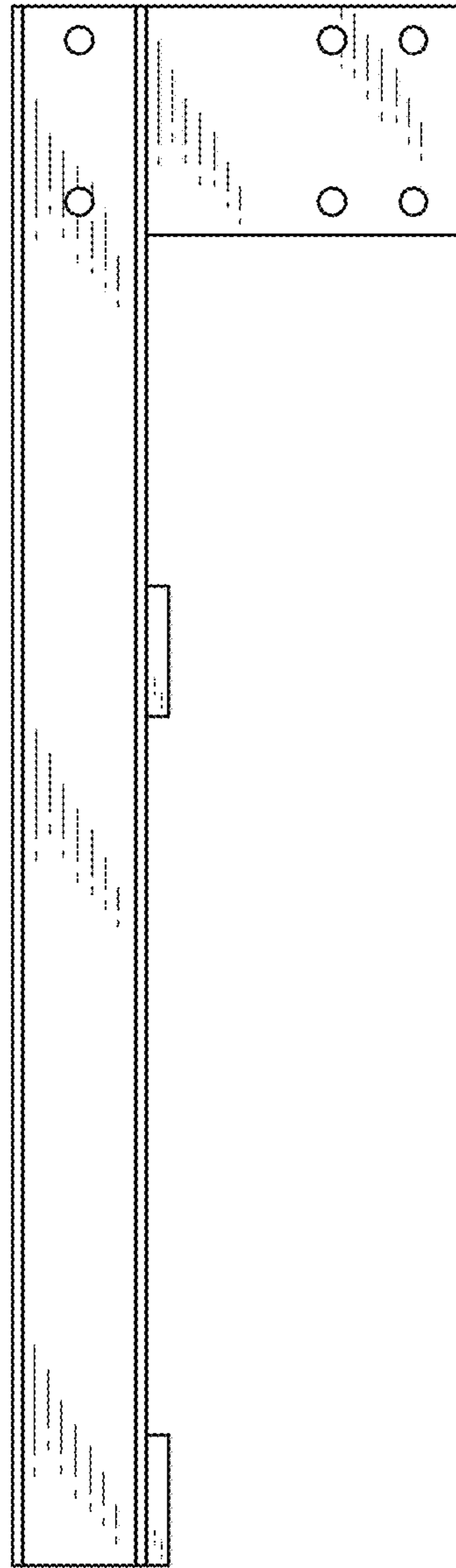


FIG. 4

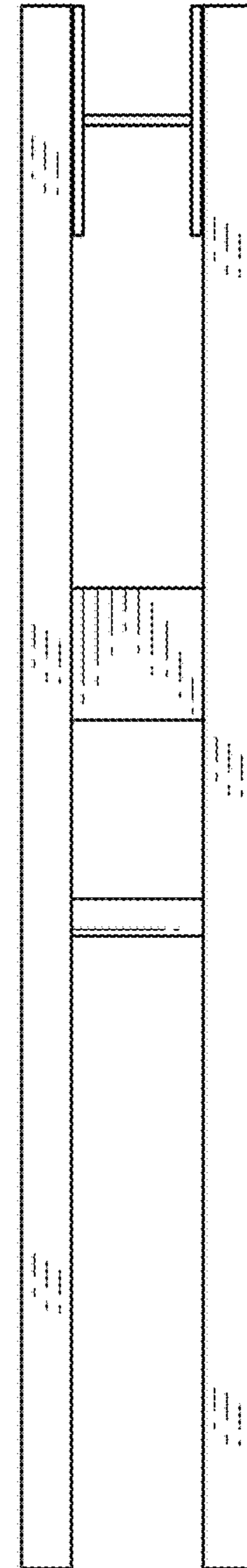


FIG. 5

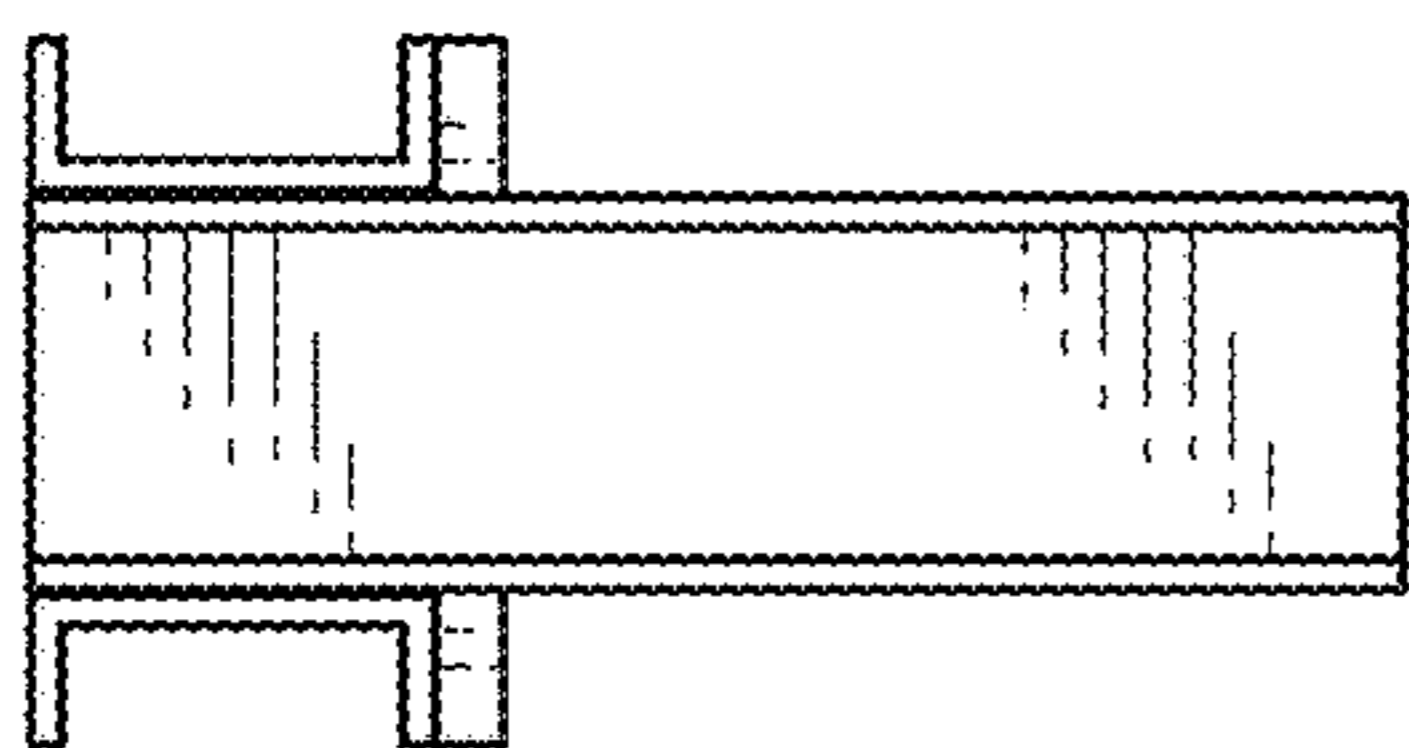


FIG. 6

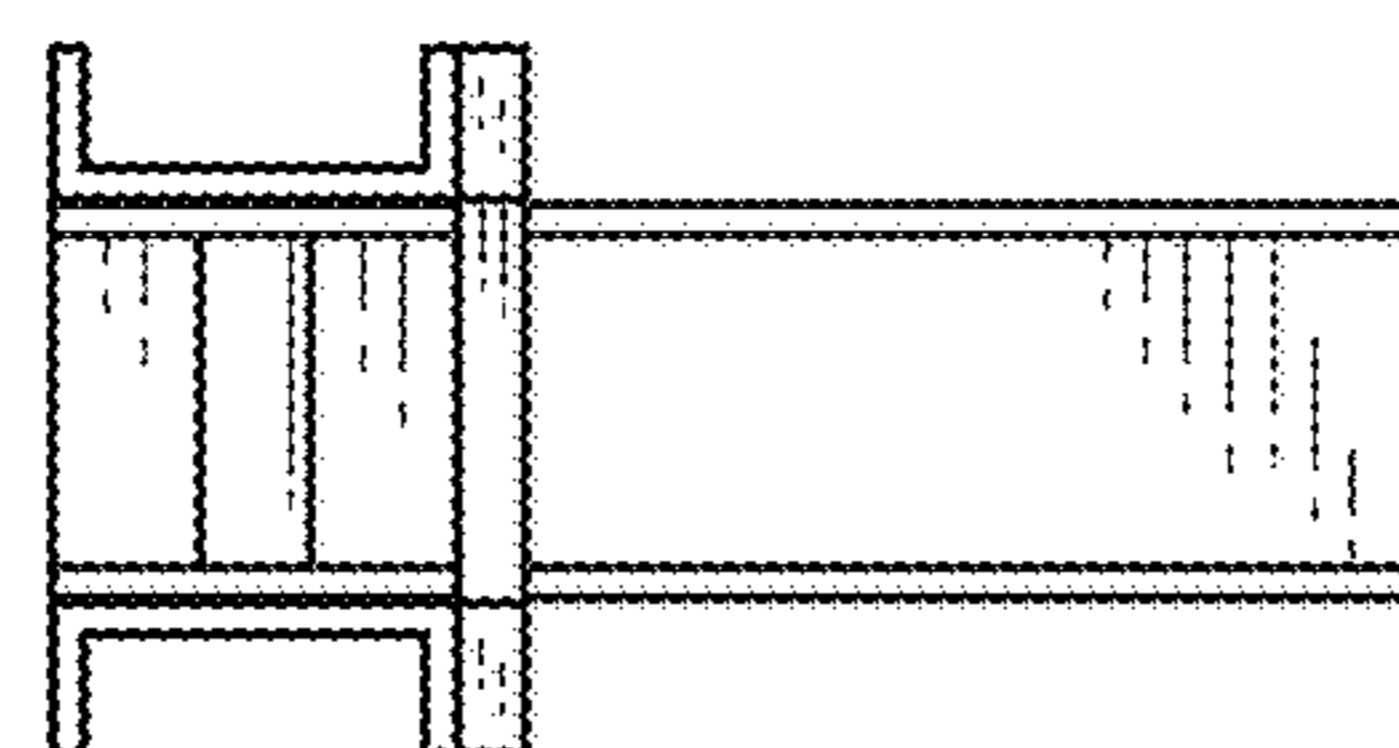


FIG. 7