



US00D815304S

(12) **United States Design Patent**
Chapman

(10) **Patent No.:** **US D815,304 S**
(45) **Date of Patent:** **** Apr. 10, 2018**

(54) **DOOR JAMB WITH DOUBLE WOOL PILE**

E06B 1/70; E06B 1/702; E06B 1/705;
E06B 1/707

(71) Applicant: **Global Products International Group, LLC**, Atlanta, GA (US)

See application file for complete search history.

(72) Inventor: **G. Paul Chapman**, Cumming, GA (US)

(56) **References Cited**

(73) Assignee: **Global Products International Group, LLC**, Atlanta, GA (US)

U.S. PATENT DOCUMENTS

(**) Term: **15 Years**

D360,267	S	*	7/1995	DiGiorgio	D25/124
D376,213	S	*	12/1996	Macri	D25/124
5,836,118	A	*	11/1998	Thornton	E06B 1/34 49/504
5,987,843	A	*	11/1999	Canfield	E06B 1/34 52/717.05
6,295,779	B1	*	10/2001	Canfield	E06B 1/34 52/717.05
D474,283	S	*	5/2003	Graber	D25/60
D725,796	S	*	3/2015	Van Camp	D25/119
2005/0126089	A1	*	6/2005	Liu	E06B 1/6092 52/204.1
2007/0020475	A1	*	1/2007	Prince	B05D 1/40 428/537.1
2010/0192469	A1	*	8/2010	McDaniel	E06B 1/70 49/469

(21) Appl. No.: **29/578,878**

(22) Filed: **Sep. 26, 2016**

(51) **LOC (11) Cl.** **25-02**

(52) **U.S. Cl.**
USPC **D25/60**

(58) **Field of Classification Search**

USPC D25/35, 38.1, 41.1, 43, 44, 47.1, 48.1,
D25/48.2, 48.3, 48.4, 48.7, 55-57, 60, 61,
D25/119-125, 126-137, 164, 199

CPC ... E04C 3/00; E04C 3/005; E04C 3/02; E04C
3/04; E04C 3/12; E04C 3/20; E04C 3/28;
E04C 3/30; E04F 19/02; E04F 19/022;
E04F 19/026; E04F 19/028; E04F 19/04;
E04F 19/0436; E04F 19/0481; E04F
19/0486; E04F 19/06; E04F 19/061;
E06B 1/00; E06B 1/006; E06B 1/02;
E06B 1/04; E06B 1/045; E06B 1/12;
E06B 1/34; E06B 1/342; E06B 1/345;
E06B 1/347; E06B 1/36; E06B 1/363;
E06B 1/366; E06B 1/38; E06B 1/40;
E06B 1/52; E06B 1/522; E06B 1/524;
E06B 1/526; E06B 1/528; E06B 1/56;
E06B 1/60; E06B 1/6092; E06B 1/62;

(Continued)

Primary Examiner — Cynthia Ramirez
Assistant Examiner — L. Martinez-Rivera
(74) *Attorney, Agent, or Firm* — Thomas | Horstemeyer,
LLP

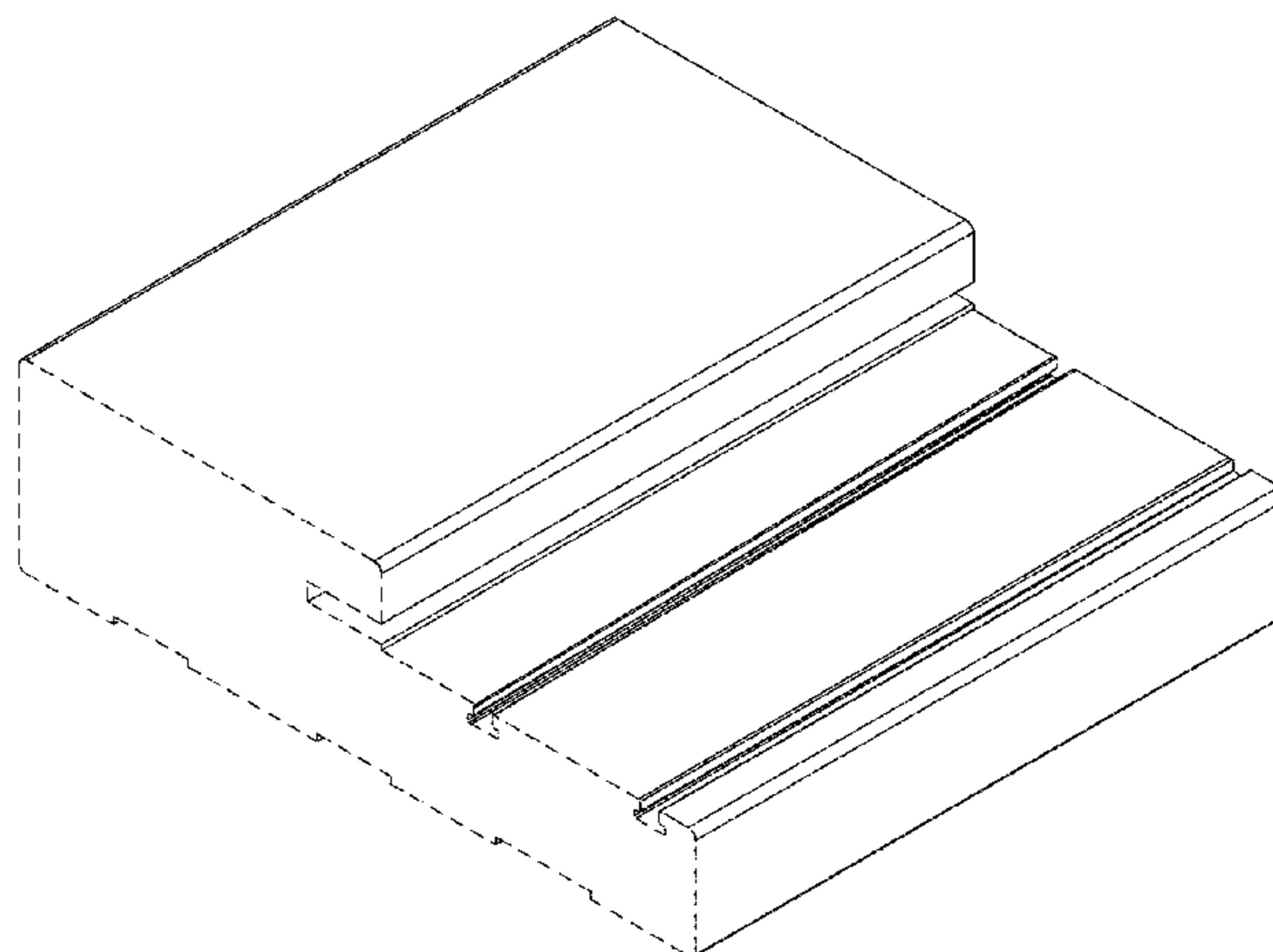
(57) **CLAIM**

The ornamental design for a door jamb with a double wool pile, as shown and described.

DESCRIPTION

FIG. 1 is a front, top perspective view of a door jamb with a double wool pile showing my new design;
FIG. 2 is a rear, bottom perspective view thereof;
FIG. 3 is a top view thereof;
FIG. 4 is a first side view thereof;
FIG. 5 is a bottom view thereof;
FIG. 6 is a second side view thereof;
FIG. 7 is a front elevation view thereof; and,
FIG. 8 is a rear elevation view thereof.

(Continued)



The broken lines in FIGS. 1-8 illustrate portions of the door jamb with double wool pile that form no part of the claimed design.

1 Claim, 5 Drawing Sheets

(56) **References Cited**

U.S. PATENT DOCUMENTS

2014/0069038 A1* 3/2014 Back E06B 1/52
52/210

* cited by examiner

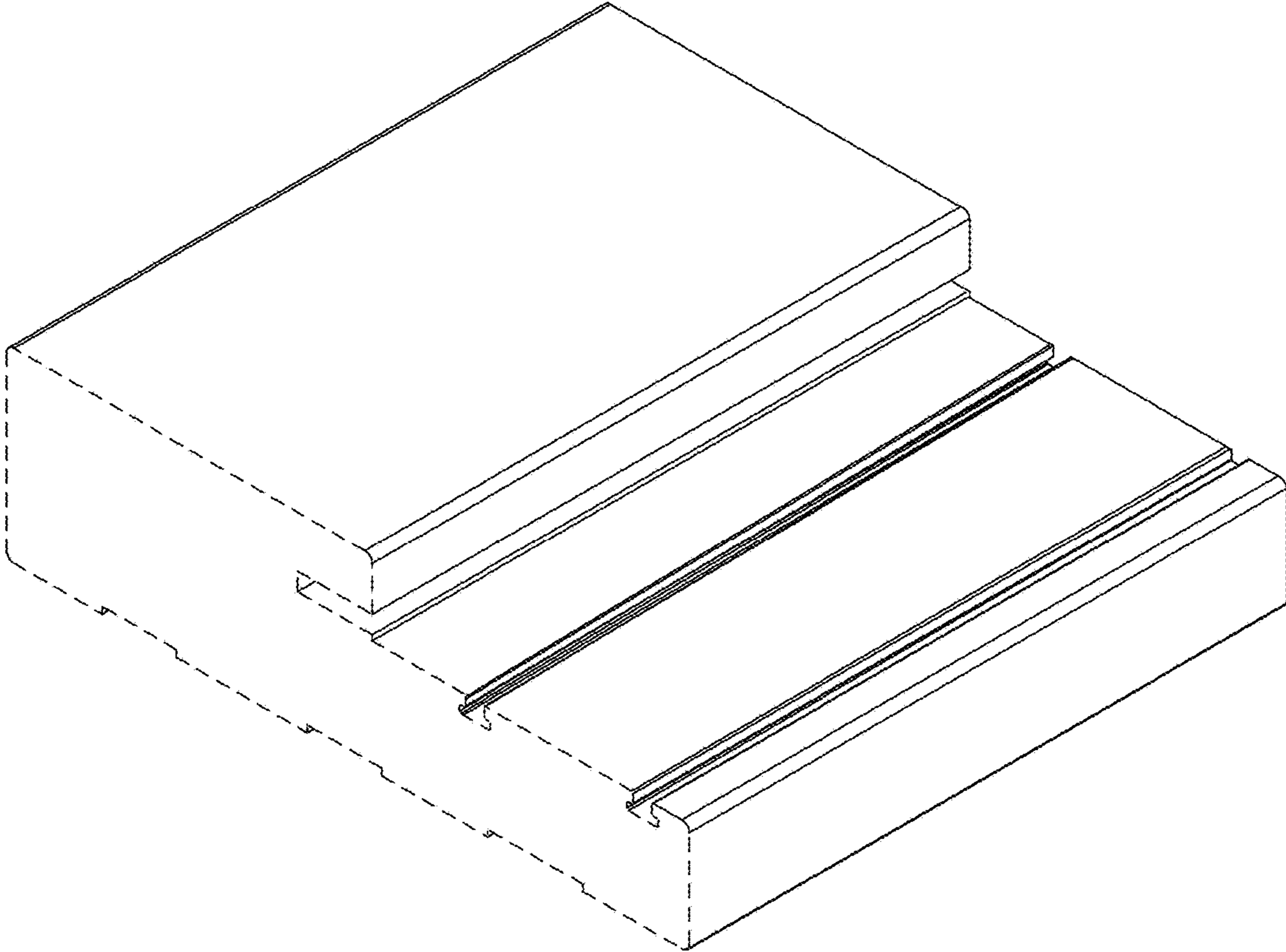


FIG. 1

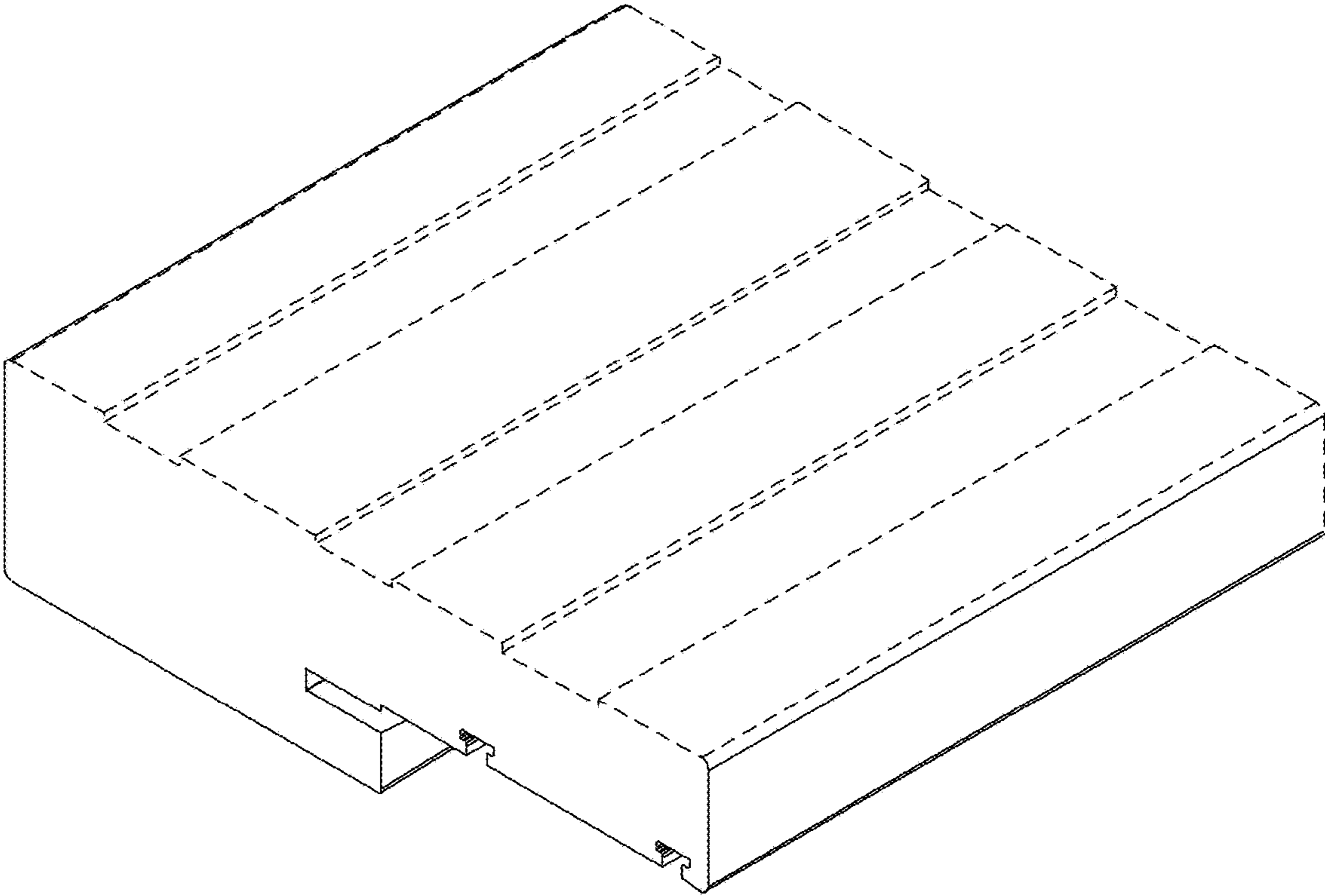


FIG. 2

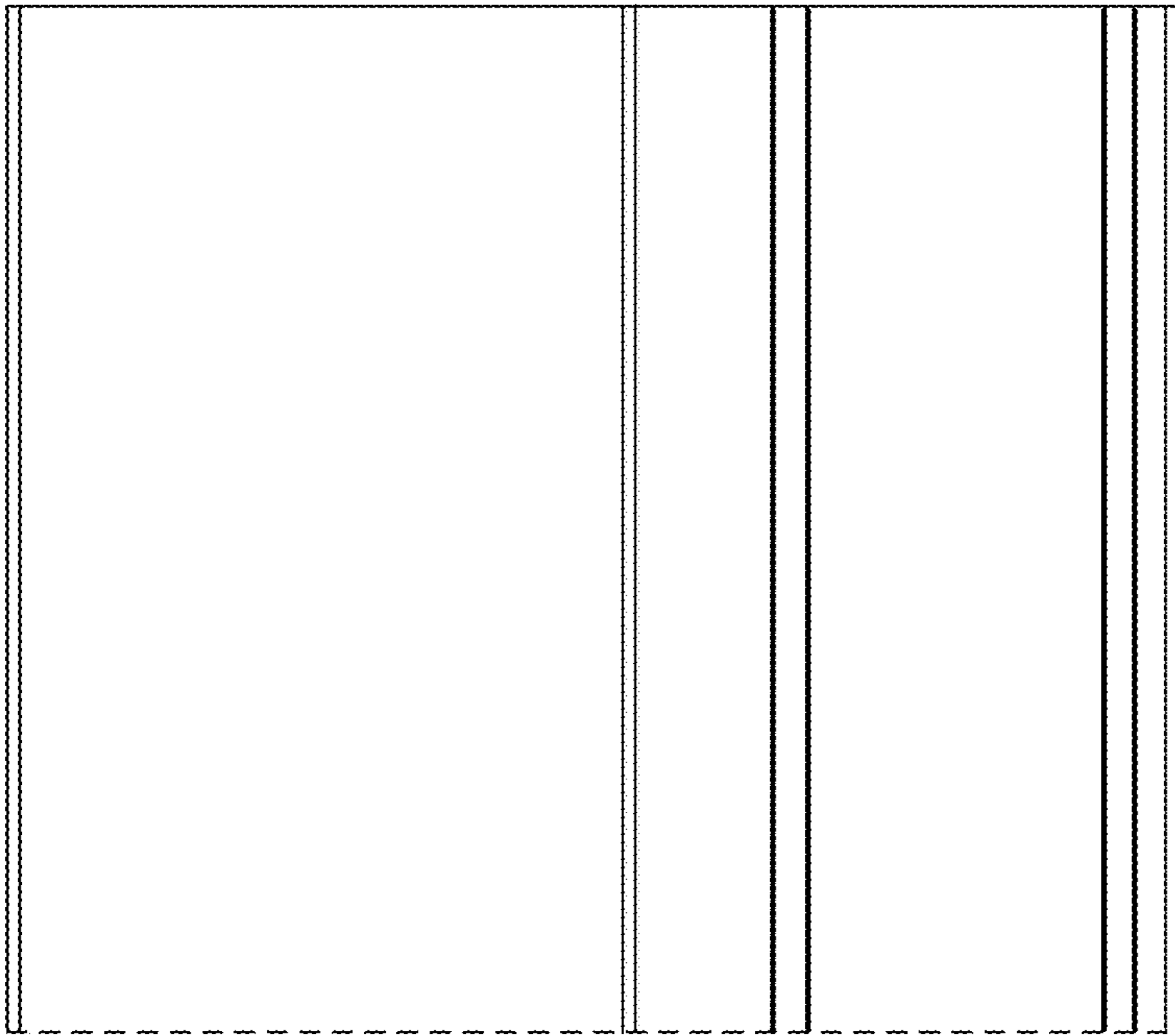


FIG. 3

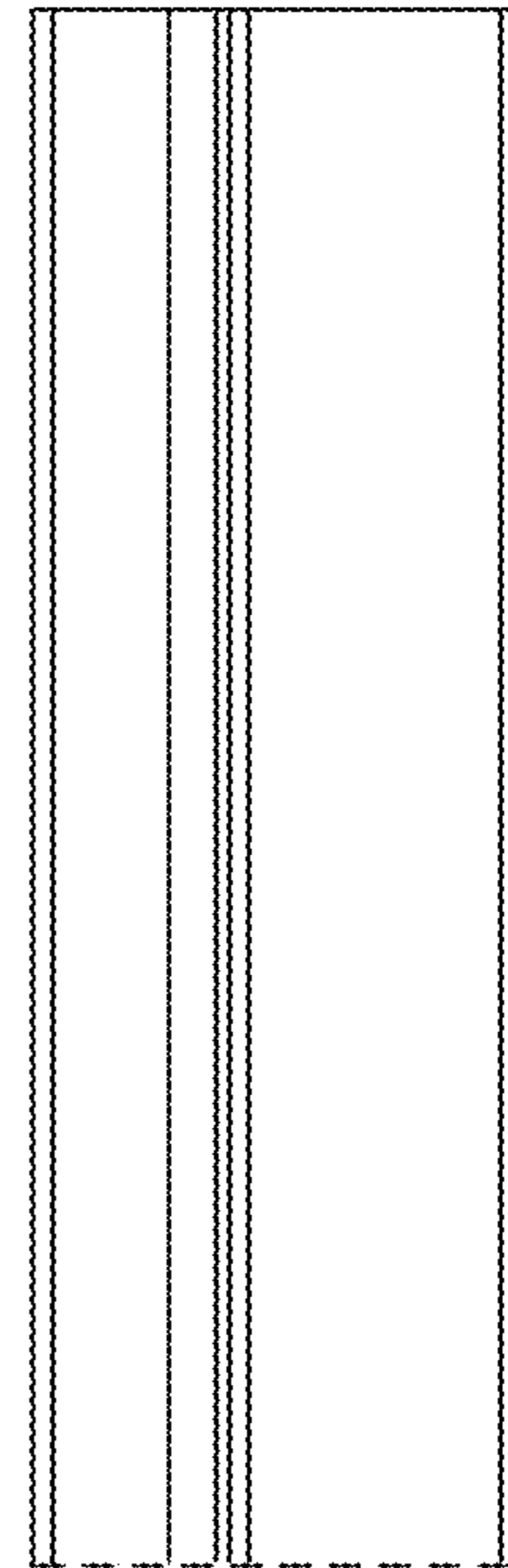


FIG. 4

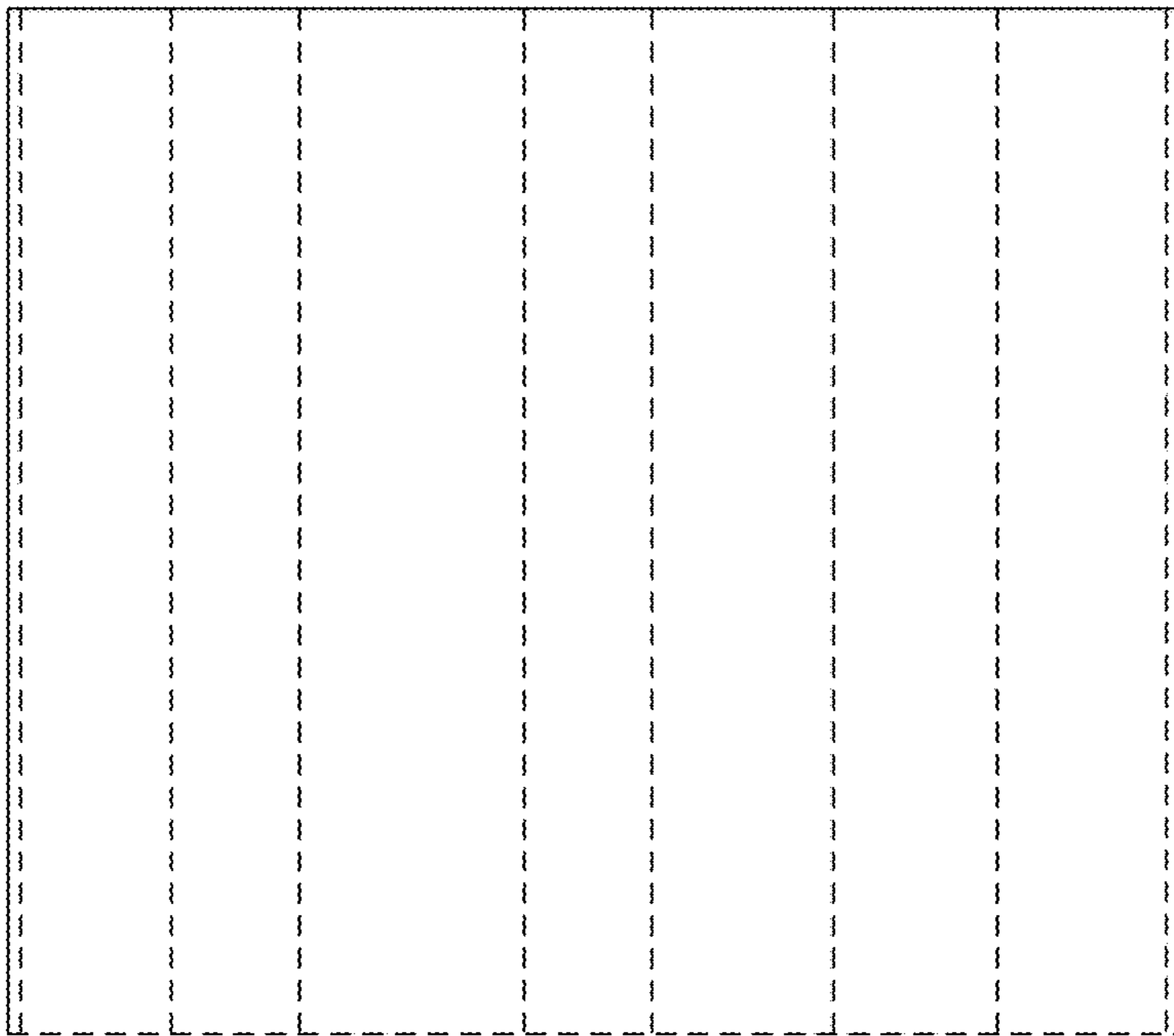


FIG. 5

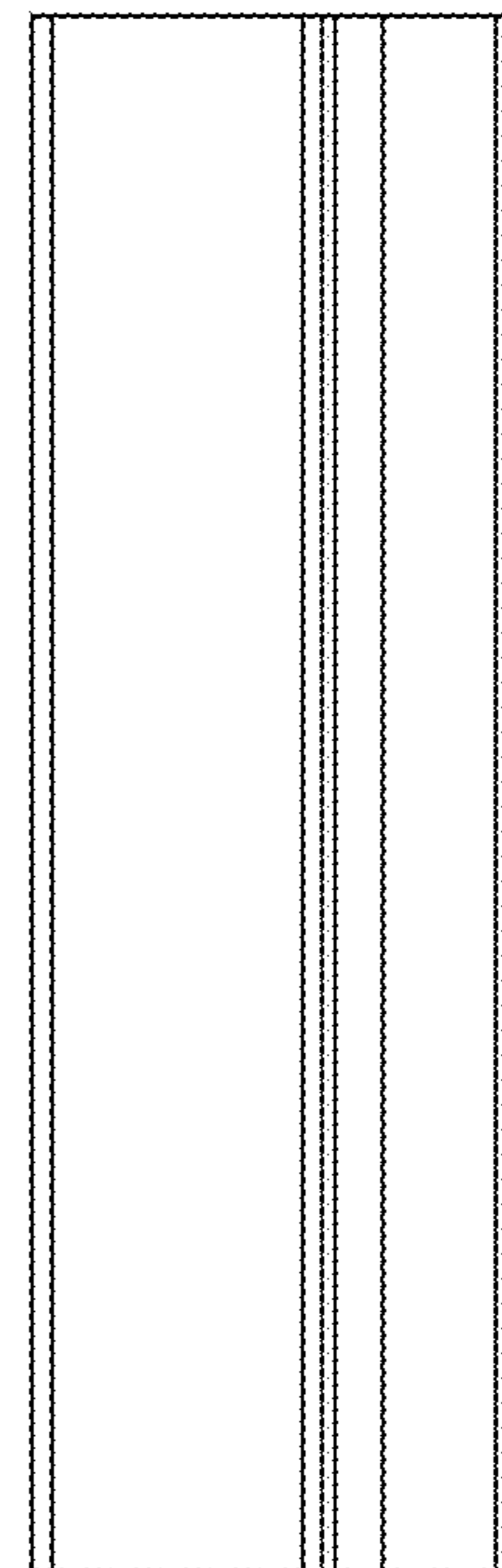


FIG. 6

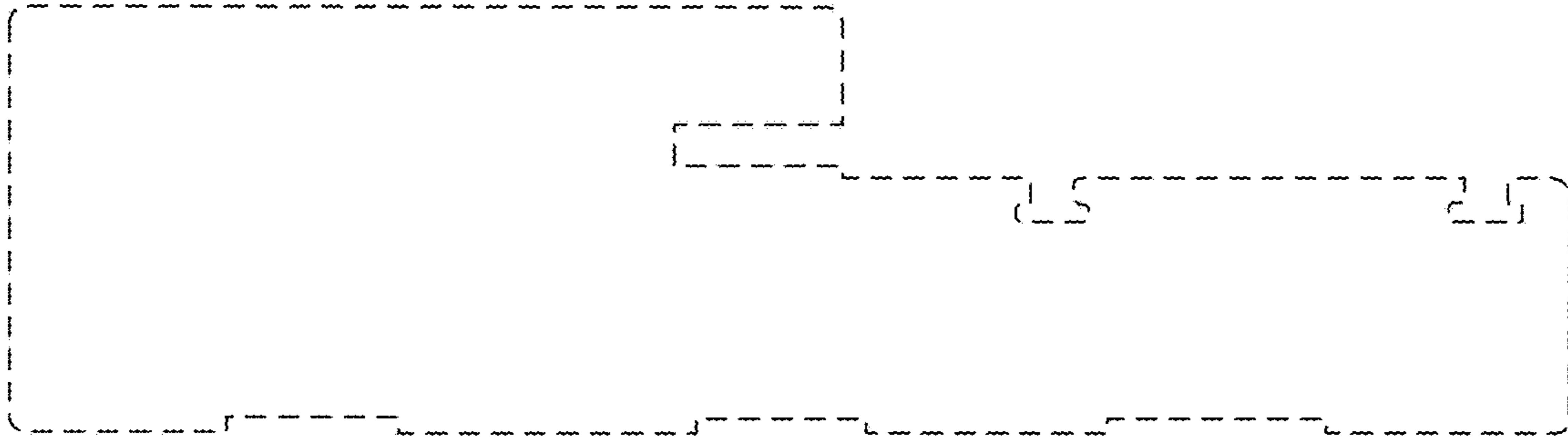


FIG. 7

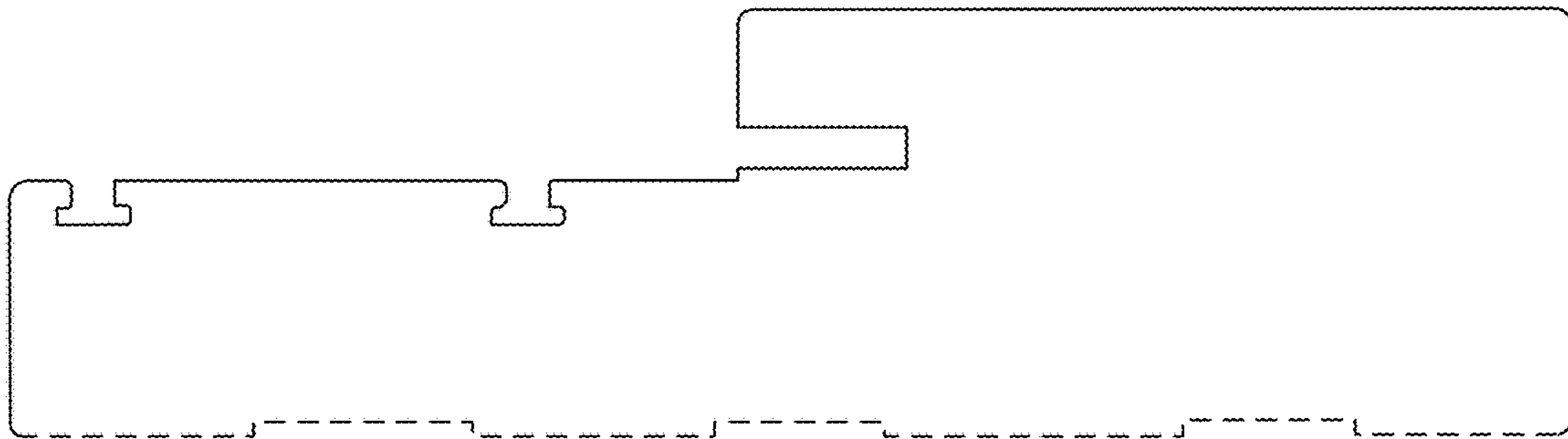


FIG. 8