



US00D815303S

(12) **United States Design Patent** (10) **Patent No.:** **US D815,303 S**
Schuit et al. (45) **Date of Patent:** **** Apr. 10, 2018**

(54) **SOLAR MOUNT TRIM**
(71) Applicant: **Unirac Inc.**, Albuquerque, NM (US)
(72) Inventors: **Nathan Schuit**, Edgewood, NM (US);
Todd Ganshaw, Albuquerque, NM
(US); **Tom Young**, Albuquerque, NM
(US)
(73) Assignee: **Unirac Inc.**, Albuquerque, NM (US)
(**) Term: **15 Years**
(21) Appl. No.: **29/571,515**
(22) Filed: **Jul. 19, 2016**

8,128,044 B2 3/2012 Liebendorfer
8,273,981 B2 9/2012 Kobayashi
8,650,813 B2 2/2014 Botkin et al.
8,695,290 B1 4/2014 Kim et al.
8,748,733 B2 6/2014 Leary
8,763,316 B2 7/2014 Concho et al.
8,938,932 B1 * 1/2015 Wentworth H02S 20/23
52/173.3
9,052,123 B2 6/2015 Anderson et al.
D734,871 S * 7/2015 Wright D25/119
9,291,369 B2 3/2016 West et al.
D776,302 S * 1/2017 Baker D25/136
2011/0001030 A1 1/2011 Hochreiter et al.
2013/0011187 A1 1/2013 Schuit et al.

(Continued)

OTHER PUBLICATIONS

<http://unirac.com/solarmount/> Available Jun. 1, 2016.*

Primary Examiner — Susan Bennett Hattan
Assistant Examiner — Leanne Was-Englehart
(74) *Attorney, Agent, or Firm* — Crowell & Moring LLP

(57) **CLAIM**

The ornamental design for a solar mount trim, as shown and described.

DESCRIPTION

FIG. 1 is a perspective view of a solar mount trim according to the design;
FIG. 2 is a front side elevation view thereof;
FIG. 3 is a rear side elevation view thereof;
FIG. 4 is a left side elevation view thereof;
FIG. 5 is a right side elevation view thereof;
FIG. 6 is a top plan view thereof; and,
FIG. 7 is a bottom plan view thereof.
The design is shown with a symbolic break in its length. The appearance of any portion of the design between the broken lines and the broken lines themselves form no part of the claimed design.

1 Claim, 7 Drawing Sheets

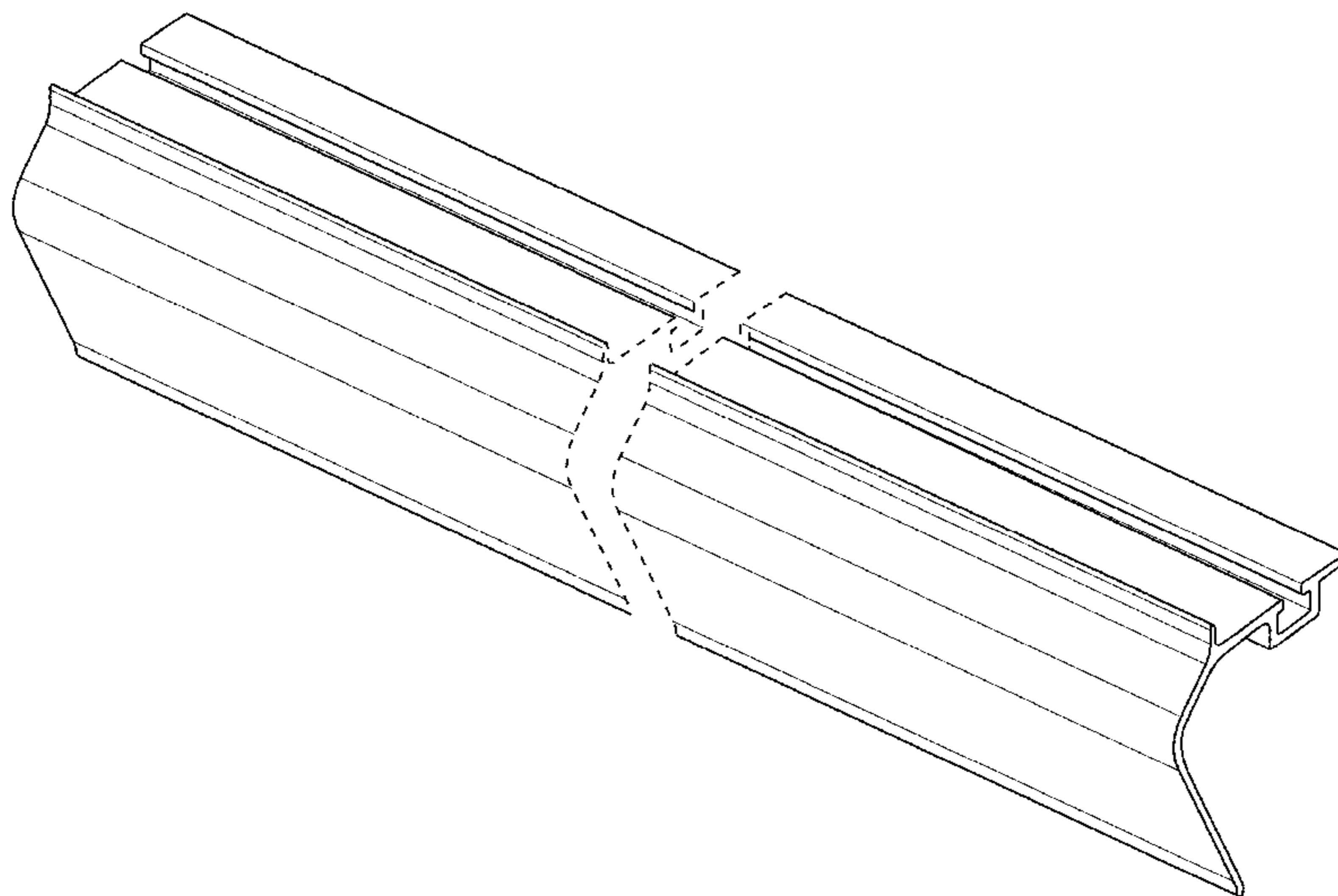
Related U.S. Application Data

(63) Continuation of application No. 15/172,735, filed on Jun. 3, 2016, now Pat. No. 9,837,955.
(51) **LOC (11) Cl.** **25-01**
(52) **U.S. Cl.**
USPC **D25/60**
(58) **Field of Classification Search**
USPC D25/60, 61, 119–125, 136, 164
CPC H02S 20/23; H02S 20/30; H02S 30/10;
F16M 13/02; F24J 2/045; F24J 2/5207;
F24J 2/5245; F24J 2/5256; F24J
2002/4663
See application file for complete search history.

(56) **References Cited**

U.S. PATENT DOCUMENTS

D47,727 S * 8/1915 Heulings D25/119
D496,249 S 9/2004 Liebendorfer
7,260,918 B2 8/2007 Liebendorfer
D569,011 S * 5/2008 Brochu D25/138
7,434,362 B2 10/2008 Liebendorfer
D599,034 S * 8/2009 Placer D25/60
D616,110 S * 5/2010 Rimsky D25/60
7,766,292 B2 8/2010 Liebendorfer



(56)

References Cited

U.S. PATENT DOCUMENTS

2015/0101655	A1	4/2015	Schuit et al.	
2015/0129517	A1	5/2015	Wildes	
2015/0180405	A1	6/2015	West et al.	
2015/0288320	A1	10/2015	Stearns et al.	
2016/0043688	A1	2/2016	McPheeters et al.	
2016/0111997	A1*	4/2016	Ganshaw	H02S 20/23 248/224.7
2017/0040931	A1*	2/2017	Schuit	F16H 25/20
2017/0133975	A1*	5/2017	Ganshaw	H02S 20/23
2017/0155356	A1*	6/2017	Schuit	H02S 20/23

* cited by examiner

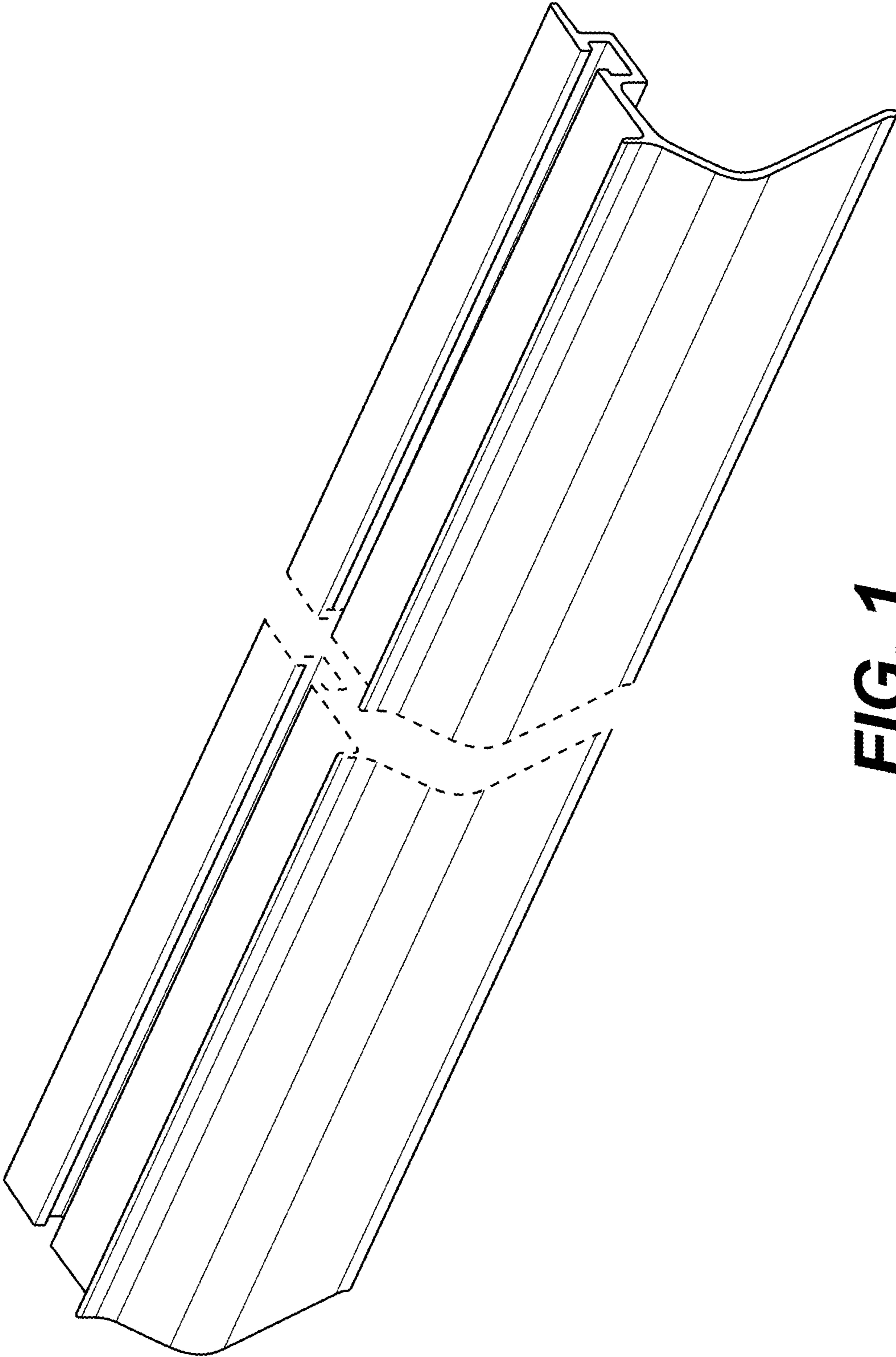


FIG. 1

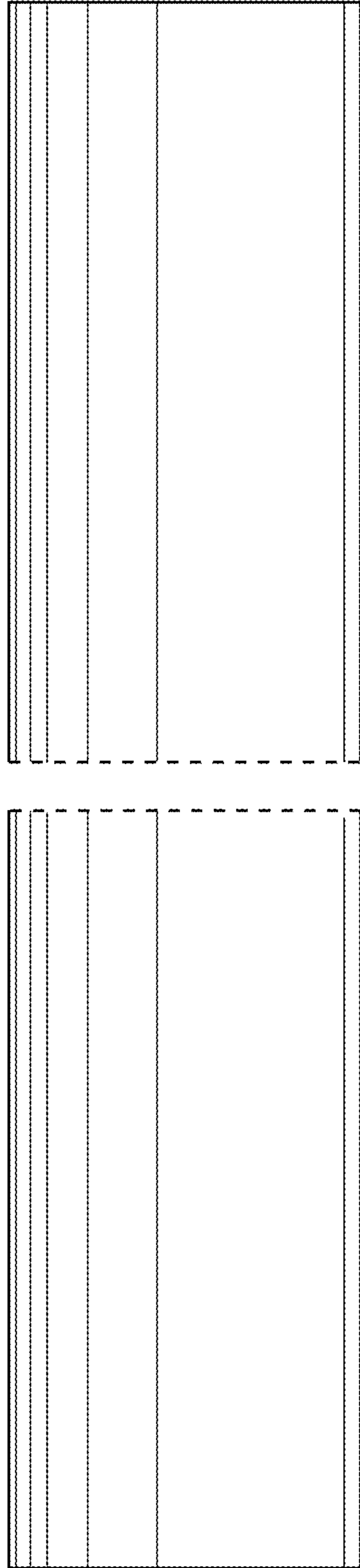


FIG. 2

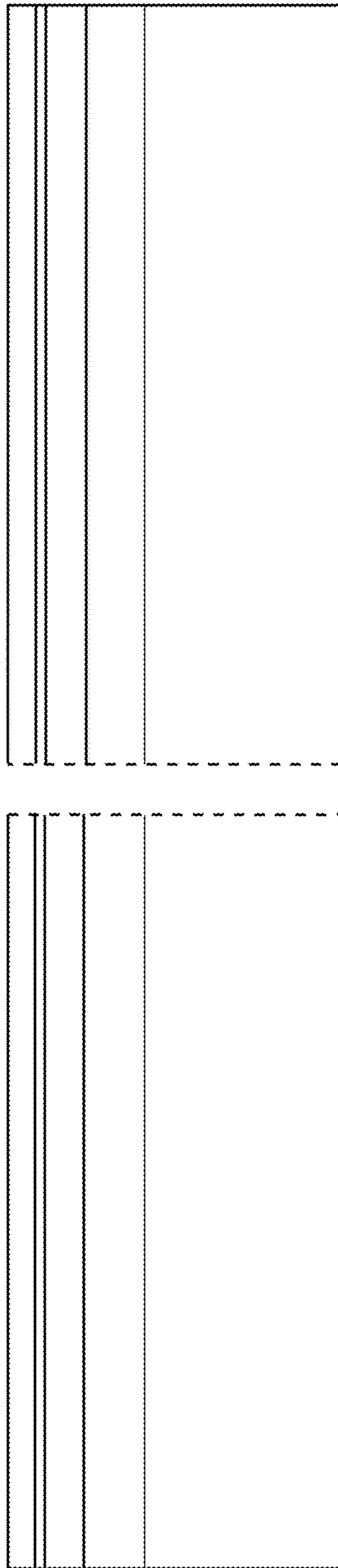


FIG. 3

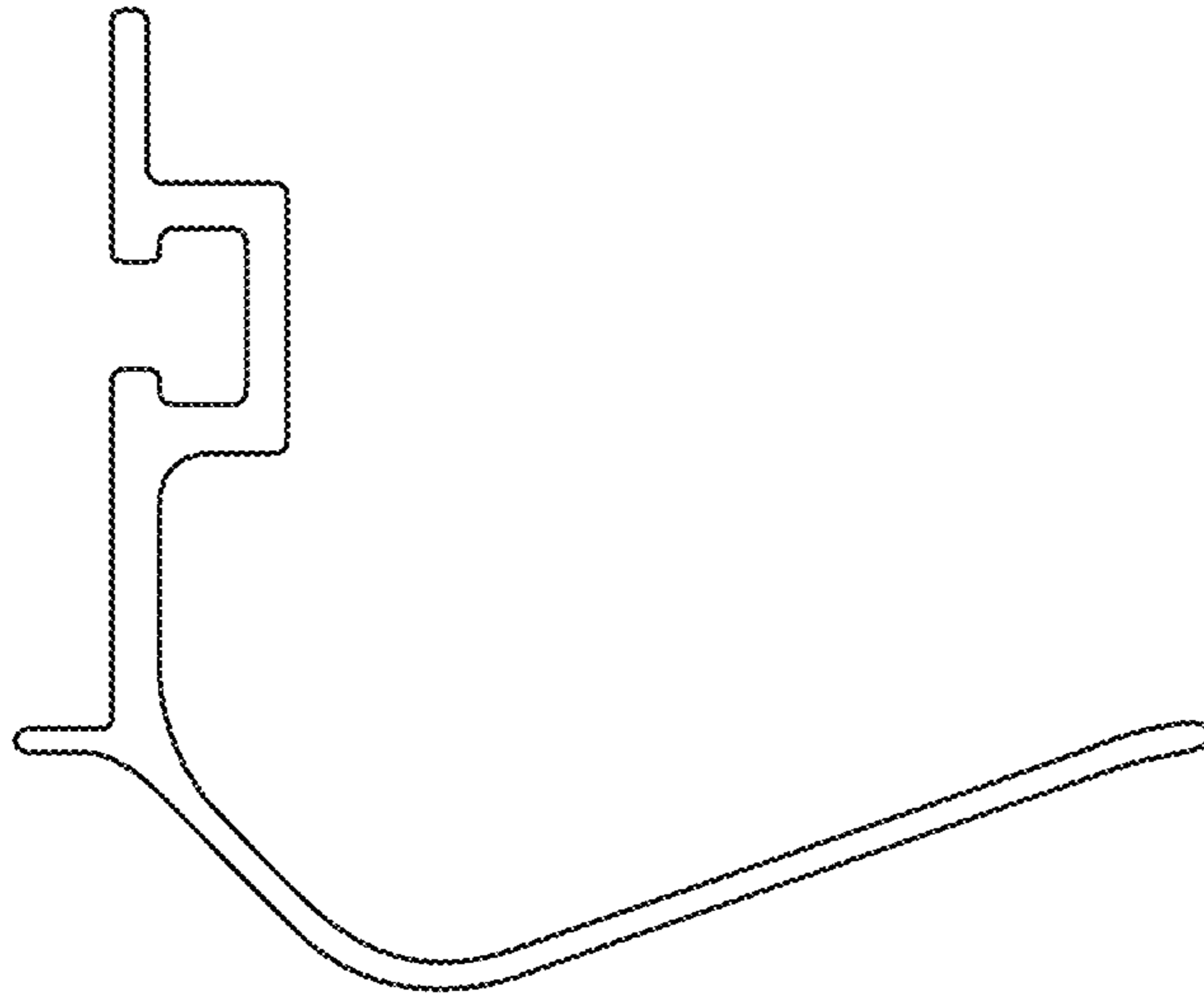


FIG. 4

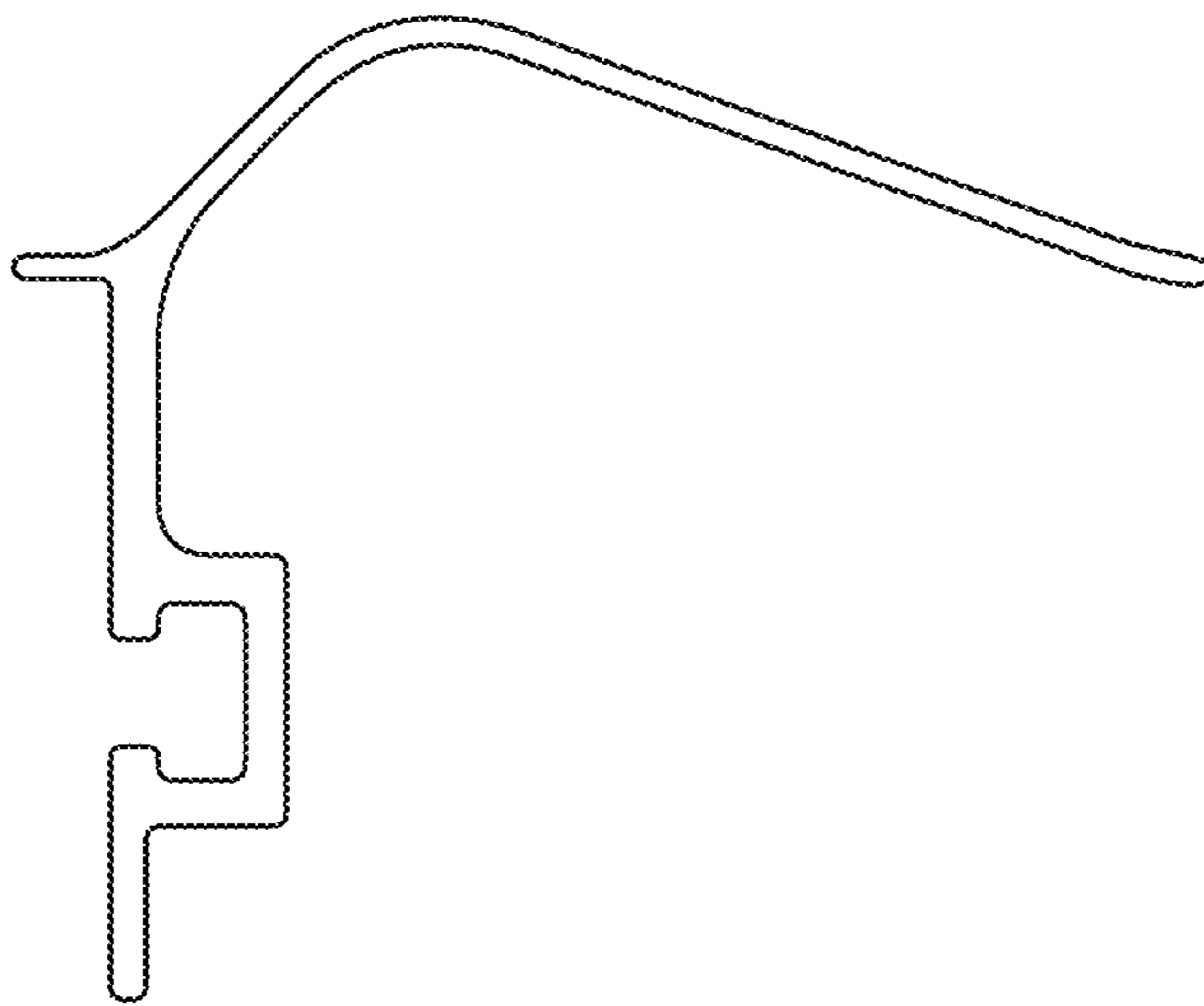


FIG. 5

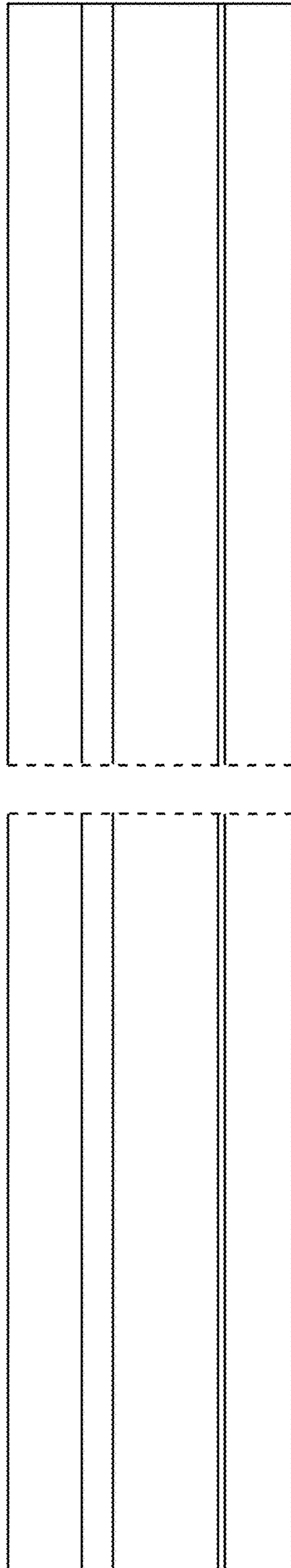


FIG. 6

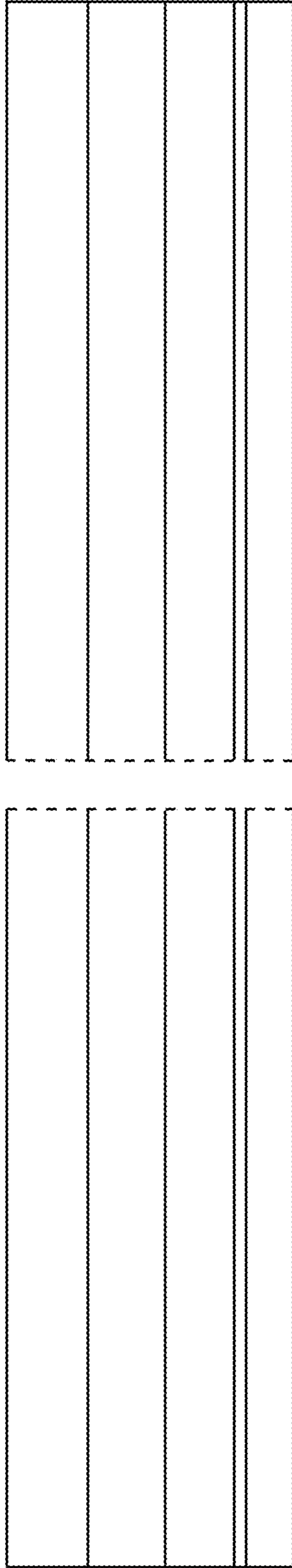


FIG. 7