



US00D815302S

(12) **United States Design Patent**
Chapman

(10) **Patent No.:** **US D815,302 S**

(45) **Date of Patent:** **** Apr. 10, 2018**

(54) **DOOR JAMB HINGE PLATE LOCATOR**

E06B 1/12; E06B 1/34; E06B 1/342;
E06B 1/56; E06B 1/60; E06B 1/6092;
E06B 1/62

(71) Applicant: **Global Products International Group, LLC**, Atlanta, GA (US)

See application file for complete search history.

(72) Inventor: **Gabriel Paul Chapman**, Cumming, GA (US)

(56) **References Cited**

(73) Assignee: **Global Products International Group, LLC**, Atlanta, GA (US)

U.S. PATENT DOCUMENTS

(**) Term: **15 Years**

D221,529	S	*	8/1971	Kimmel	D25/119
D221,531	S	*	8/1971	Kimmel	D25/119
D680,232	S	*	4/2013	Elizarraras	D25/136
D680,662	S	*	4/2013	Elizarraras	D25/136
D689,200	S	*	9/2013	Elizarraras	D25/136
D734,498	S	*	7/2015	Batres	D25/136
D734,499	S	*	7/2015	Batres	D25/136
2013/0047532	A1	*	2/2013	Armacost	E04F 19/0486 52/288.1
2013/0283728	A1	*	10/2013	Chang	E04C 3/02 52/846

(21) Appl. No.: **29/564,764**

(22) Filed: **May 16, 2016**

(51) **LOC (11) Cl.** **25-02**

(52) **U.S. Cl.**
USPC **D25/60**

(58) **Field of Classification Search**

USPC D25/35, 38.1, 41.1, 43, 44, 47.1, 48.1, D25/48.2, 48.3, 48.4, 48.7, 55-57, 60, 61, D25/119-125, 126-137, 164, 199; D8/349, 354, 377, 380, 381; D26/138

CPC ... E04C 3/00; E04C 3/005; E04C 3/02; E04C 3/04; E04C 3/12; E04C 3/20; E04C 3/28; E04C 3/30; E04F 19/02; E04F 19/022; E04F 19/026; E04F 19/028; E04F 19/04; E04F 19/0436; E04F 19/0481; E04F 19/0486; E04F 19/06; E04F 19/061; E04F 13/06; E04F 13/068; E04B 2/00; E04B 2/74; E04B 2/76; E04B 2/761; E04B 2/762; E04B 2/763; E04B 2/764; E04B 2/765; E04B 2/7854; E04B 2/7863; E04B 2/7872; E04B 2/7881; E04B 2/789; E04B 2001/2436; E04B 2001/2439; E04B 2001/2442; E04B 2001/2445; E04B 2001/2448; E04B 2001/2451; E04B 2001/2454; E04B 2001/2457; E04B 2001/246; E04B 2001/2463; E06B 1/00; E06B 1/02; E06B 1/04; E06B 1/045;

(Continued)

Primary Examiner — Cynthia Ramirez
Assistant Examiner — Llorellys Martinez-Rivera
(74) *Attorney, Agent, or Firm* — Thomas | Horstemeyer, LLP

(57) **CLAIM**

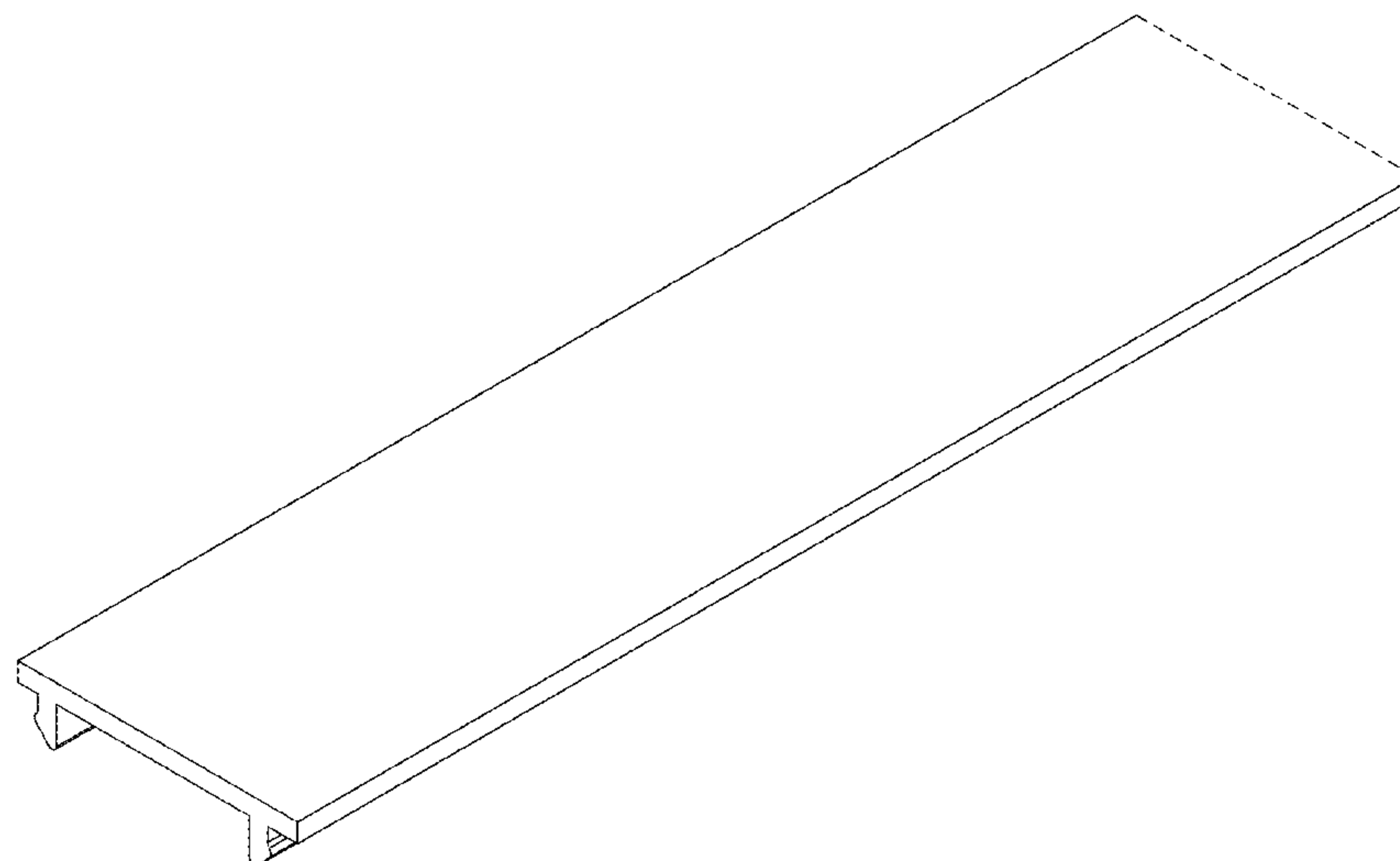
I claim the ornamental design for a door jamb hinge plate locator, as shown and described.

DESCRIPTION

FIG. 1 is a forward upper perspective view of a door jamb hinge plate locator;
FIG. 2 is a forward lower perspective view thereof;
FIG. 3 is a top view thereof;
FIG. 4 is a first side view thereof;
FIG. 5 is a second side view thereof;
FIG. 6 is a bottom view thereof;
FIG. 7 is a front view thereof; and,
FIG. 8 is a rear view thereof.

The broken lines illustrate portions of the door jamb hinge plate locator that form no part of the claimed design.

1 Claim, 4 Drawing Sheets



(56)

References Cited

U.S. PATENT DOCUMENTS

2016/0024805 A1* 1/2016 Graziano E04C 3/00
428/34.1

* cited by examiner

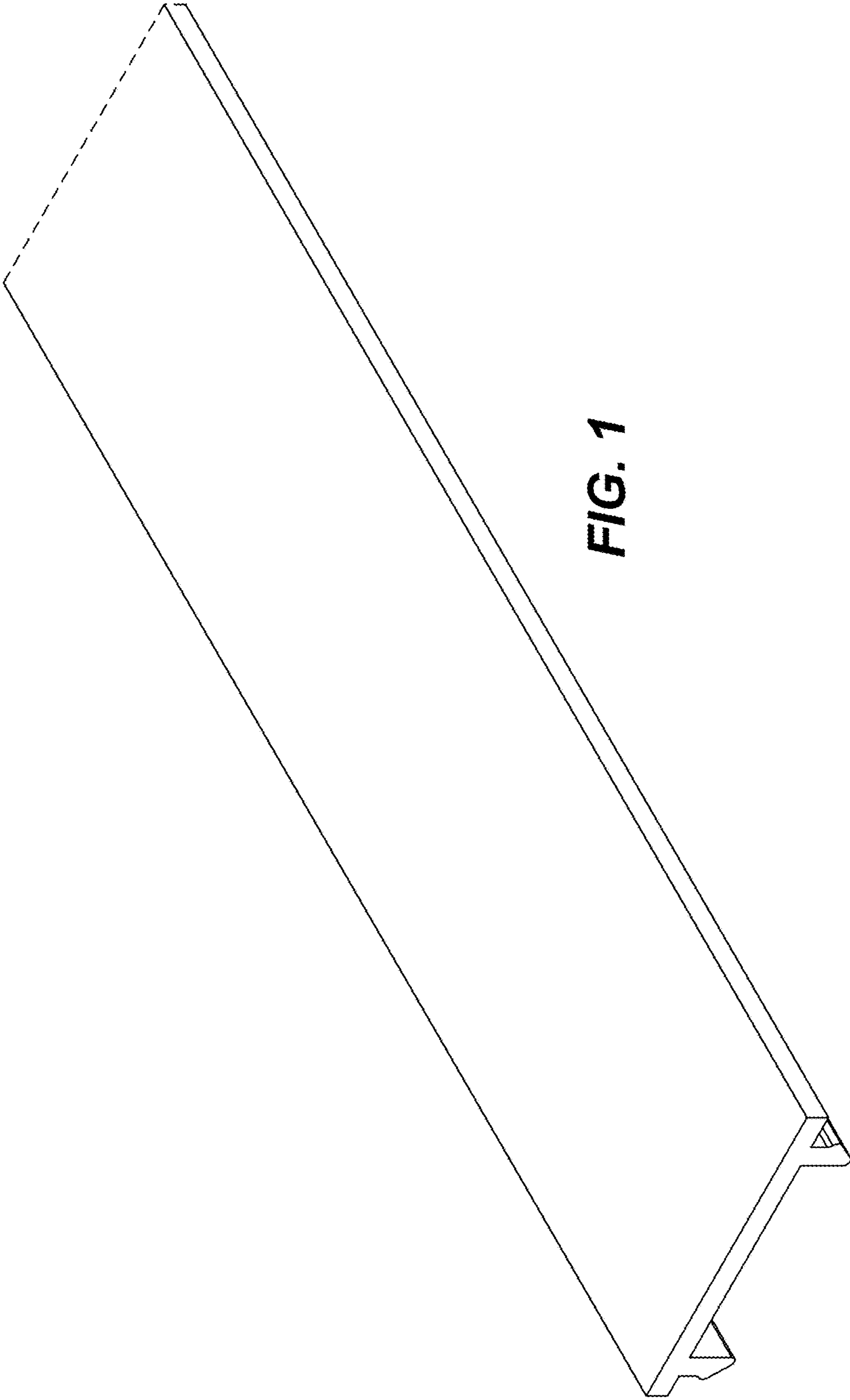


FIG. 1

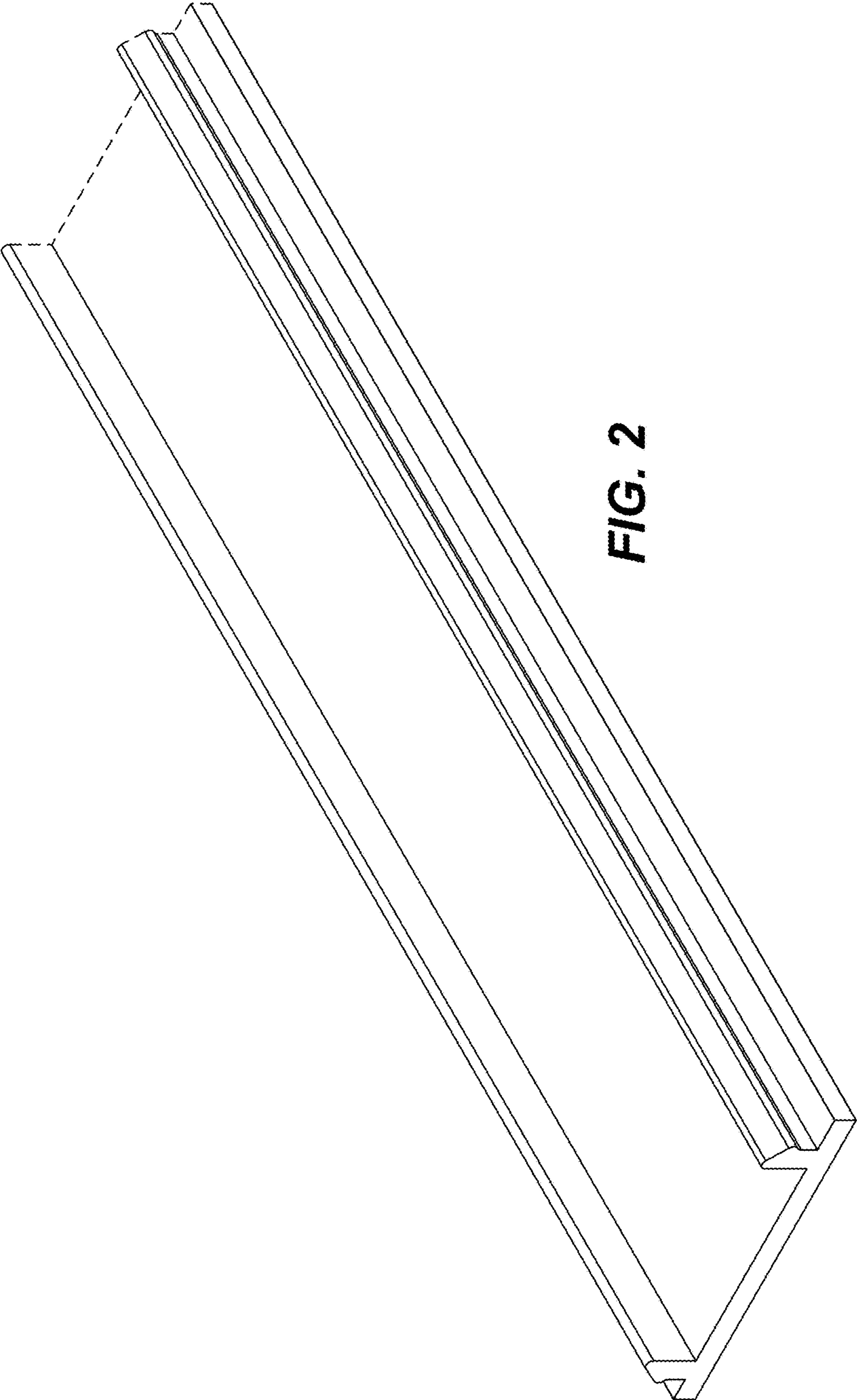


FIG. 2

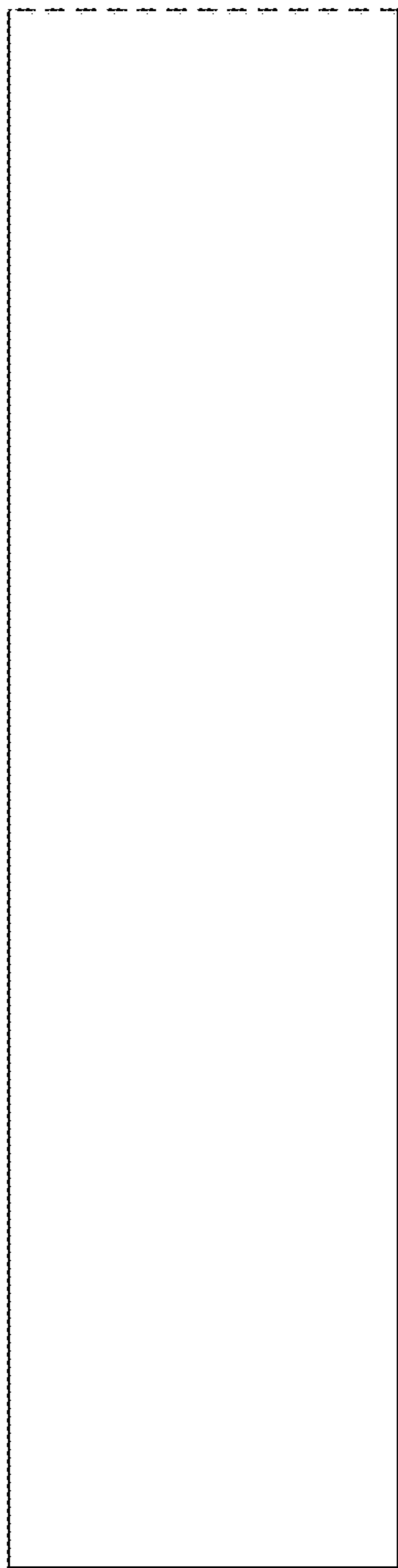


FIG. 3



FIG. 4

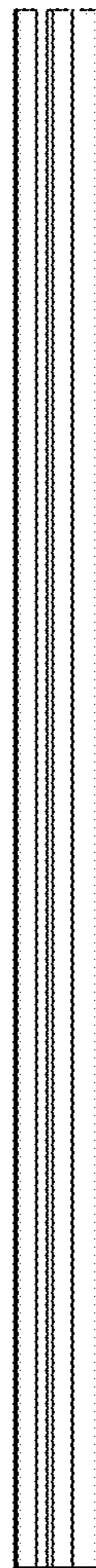


FIG. 5

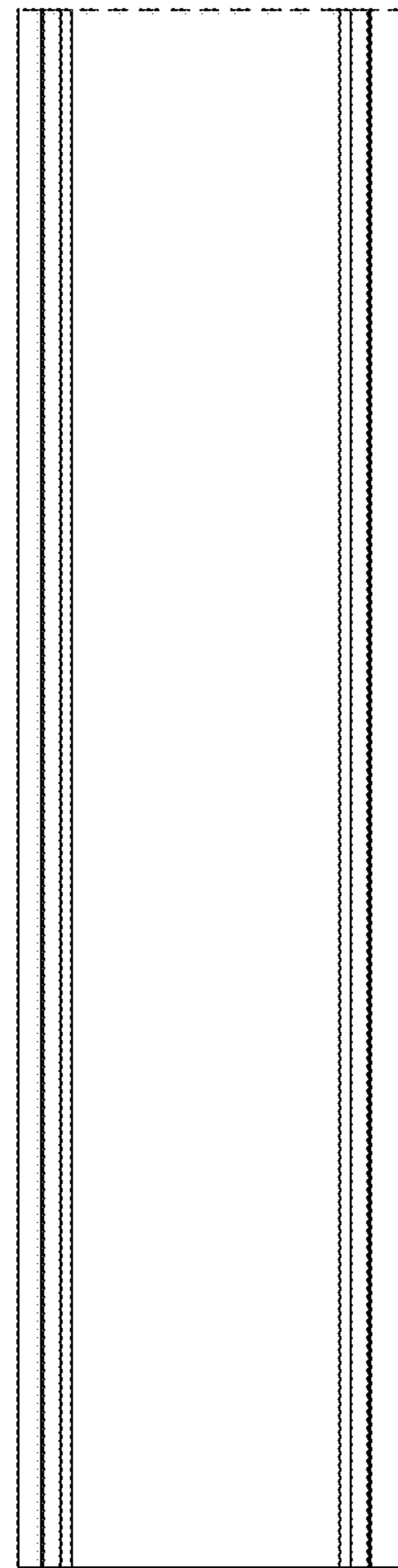


FIG. 6

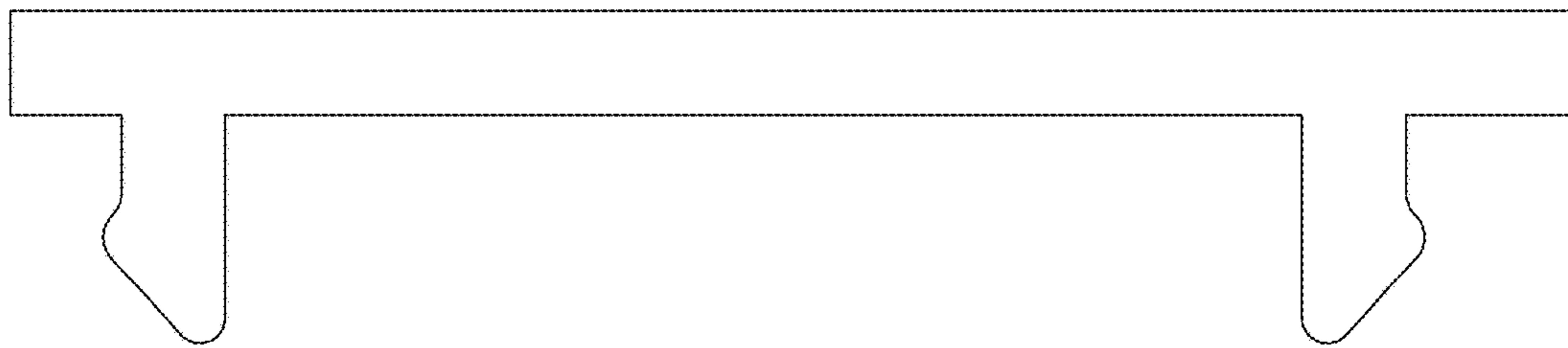


FIG. 7

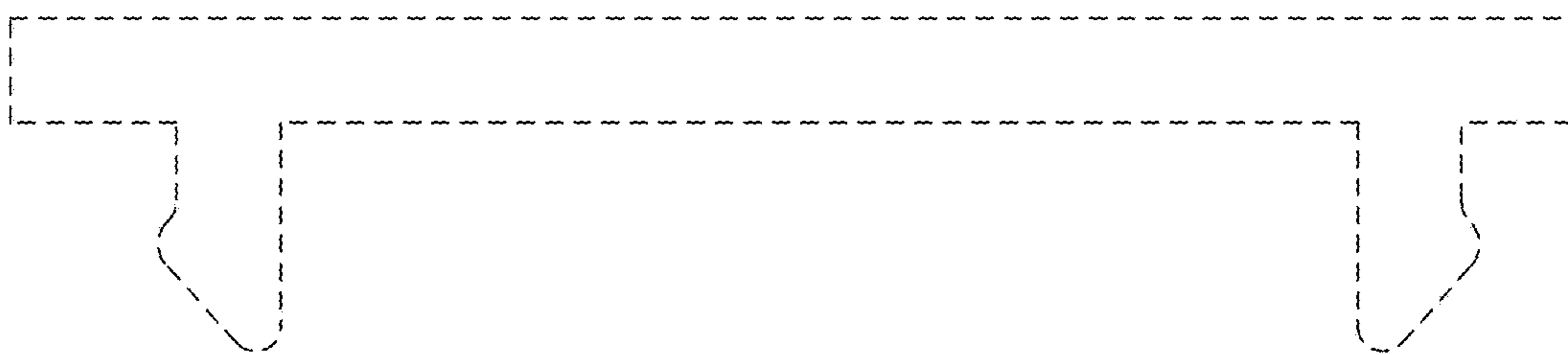


FIG. 8