



US00D815301S

(12) **United States Design Patent** (10) **Patent No.:** **US D815,301 S**  
**Dintheer et al.** (45) **Date of Patent:** **\*\* Apr. 10, 2018**

(54) **SEALING LIP**  
(71) Applicant: **PLANET GDZ AG**, Tagelswangen (CH)

D762,462 S \* 8/2016 Anderson ..... D25/121  
D769,034 S \* 10/2016 Lawson ..... D6/681.1  
D770,643 S \* 11/2016 Shargani ..... D25/119  
(Continued)

(72) Inventors: **Andreas Dintheer**, Illnau (CH); **Jochen Schaar**, Dietlikon (CH)

**OTHER PUBLICATIONS**

<http://planet.ag/en/products/drop-down-seal/holz/planet-mf/> Available Feb. 4, 2015.\*

(73) Assignee: **PLANET GDZ AG**, Tagelswangen (CH)

*Primary Examiner* — Susan Bennett Hattan  
*Assistant Examiner* — Leanne Was-Englehart  
(74) *Attorney, Agent, or Firm* — Browdy and Neimark, P.L.L.C.

(\*\*) Term: **15 Years**

(21) Appl. No.: **29/533,189**

(22) Filed: **Jul. 15, 2015**

(57) **CLAIM**

The ornamental design for a sealing lip, as shown and described.

(30) **Foreign Application Priority Data**

Jan. 15, 2015 (WO) ..... DM/085 540

**DESCRIPTION**

(51) **LOC (11) Cl.** ..... **25-02**

(52) **U.S. Cl.**  
USPC ..... **D25/48.3**

(58) **Field of Classification Search**  
USPC ..... D8/382; D25/48.1, 48.2, 48.3, 48.4, D25/48.8, 119, 124, 125; 49/310, 470, 49/489.1  
CPC . E06B 7/098; E06B 7/215; E06B 7/18; E06B 3/88; E06B 2003/7044; E05C 19/028; E05C 1/085; E04B 1/68; E04B 7/18; E04B 7/22  
See application file for complete search history.

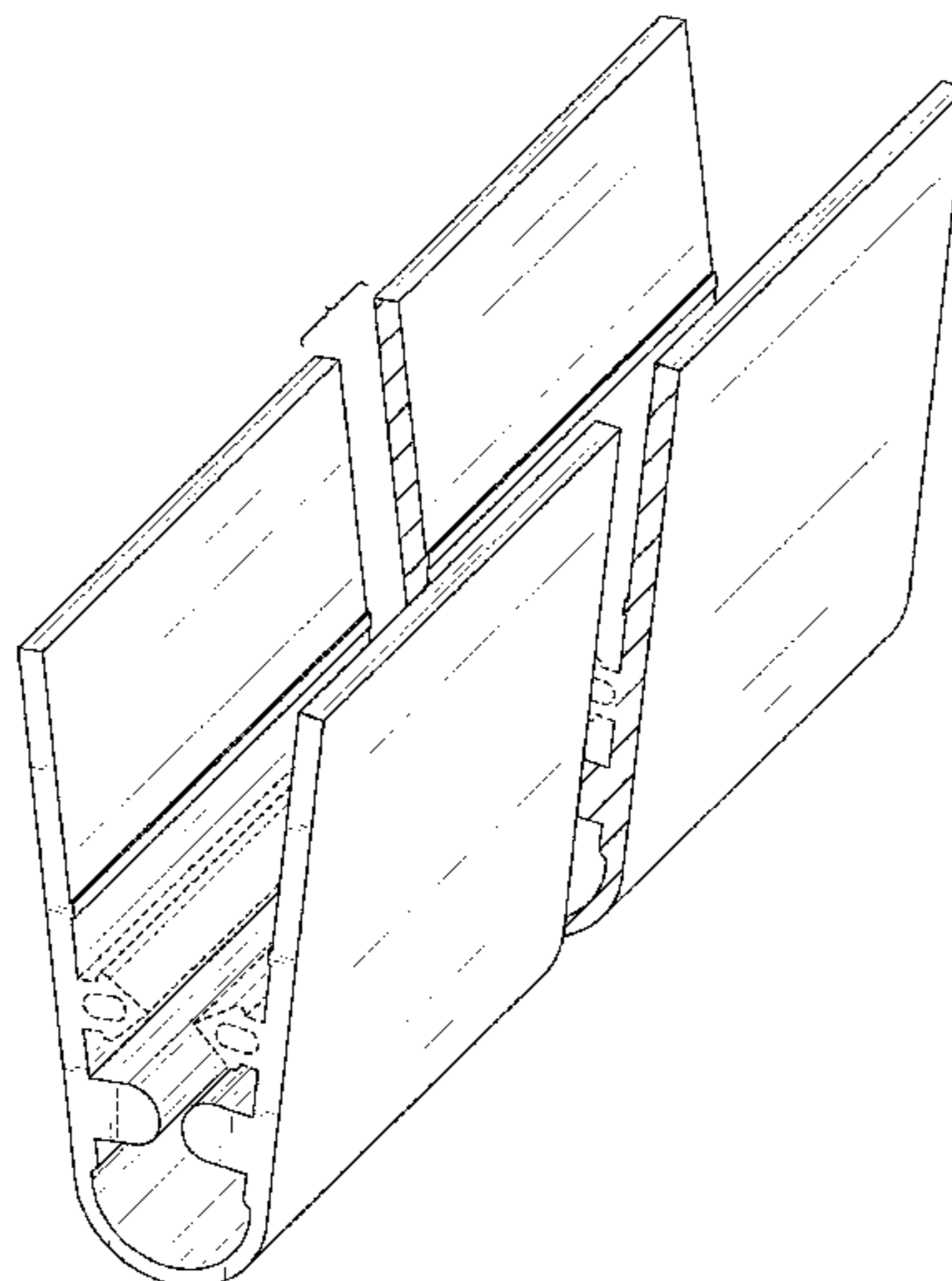
FIG. 1 is a front view of a sealing lip according to the present design;  
FIG. 2 is a perspective view of the sealing lip according to the present design;  
FIG. 3 is a further perspective view of the sealing lip according to the present design;  
FIG. 4 is a top view of the sealing lip according to the present design;  
FIG. 5 is a rear view of the sealing lip according to the present design; and,  
FIG. 6 is a perspective view of the sealing lip within the housing according to the present design.  
A sealing lip is shown, which is a part of a drop-down seal for a window or door. The broken lines in FIGS. 1-4 depict portions of the article that form no part of the claimed design. The additional components in broken lines shown in FIGS. 5 and 6 depict a housing of the drop down seal that forms no part of the claimed design. The appearance of any portion of the article between the break lines shown in solid lines forms no part of the claimed design.

(56) **References Cited**

**U.S. PATENT DOCUMENTS**

D479,798 S \* 9/2003 Wall ..... D25/119  
D479,983 S \* 9/2003 Wall ..... D25/119  
D628,165 S \* 11/2010 Perham ..... D13/155  
D670,946 S \* 11/2012 Ng ..... D6/580  
D713,976 S \* 9/2014 Van Camp ..... D25/124  
D745,189 S \* 12/2015 Stoesser ..... D25/125  
D755,409 S \* 5/2016 Hamilton ..... D25/121

**1 Claim, 6 Drawing Sheets**



(56)

**References Cited**

U.S. PATENT DOCUMENTS

2004/0111972 A1\* 6/2004 Dintheer ..... E06B 7/215  
49/470  
2015/0121759 A1\* 5/2015 Dintheer ..... E06B 7/02  
49/70  
2015/0211288 A1\* 7/2015 Dintheer ..... E06B 7/28  
49/310  
2016/0298367 A1\* 10/2016 Dintheer ..... E05C 7/06

\* cited by examiner

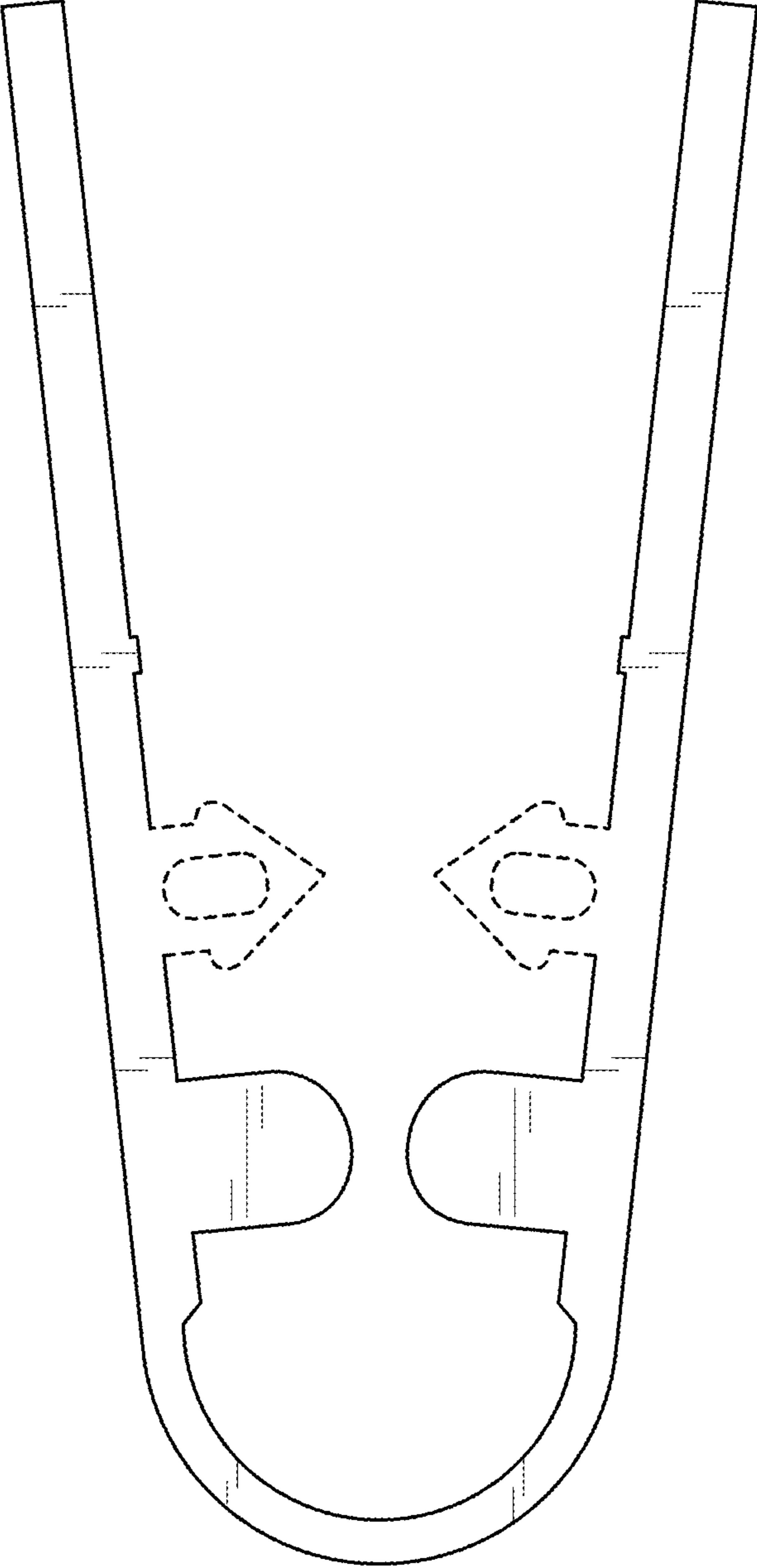


FIG. 1

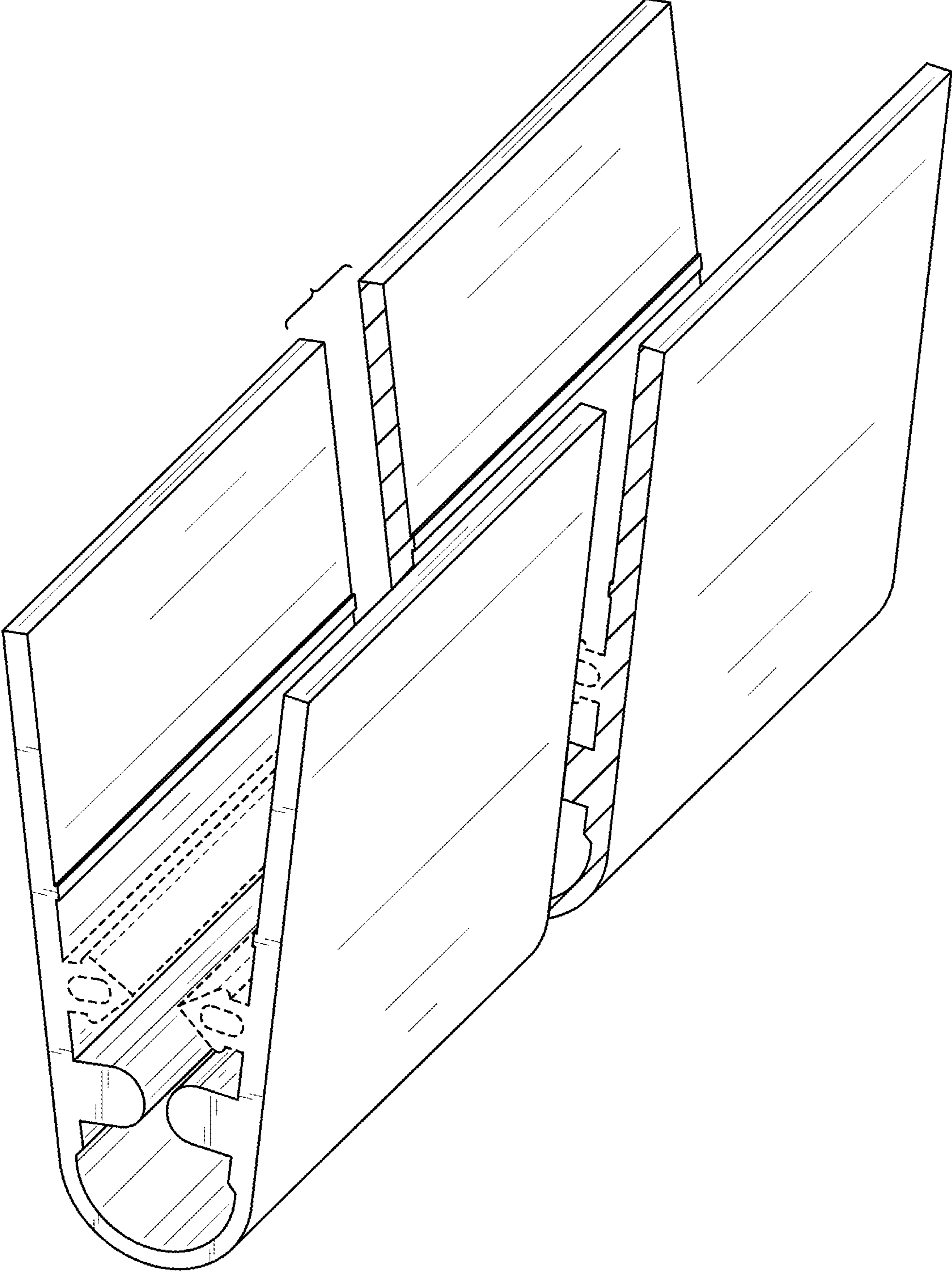


FIG. 2

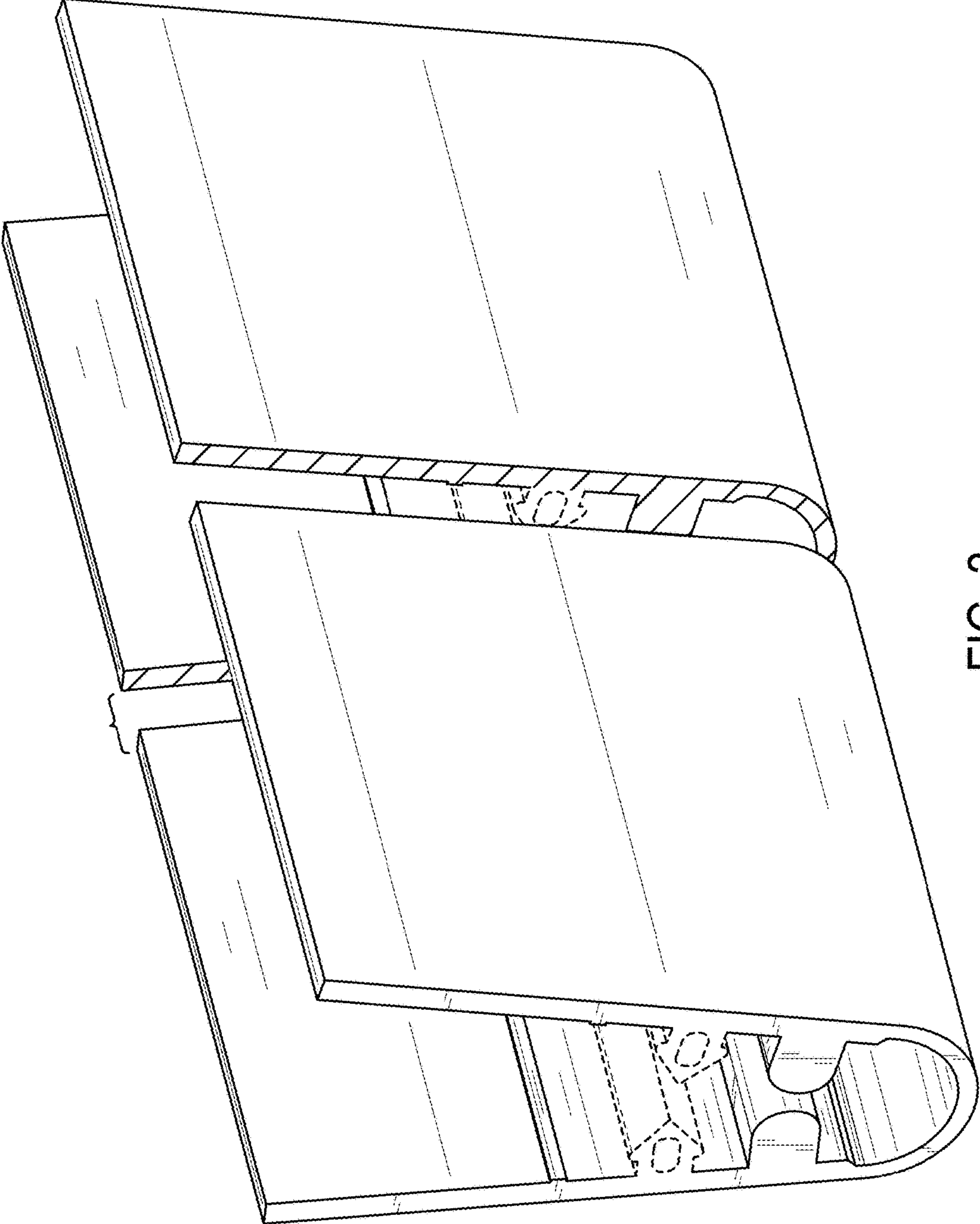


FIG. 3

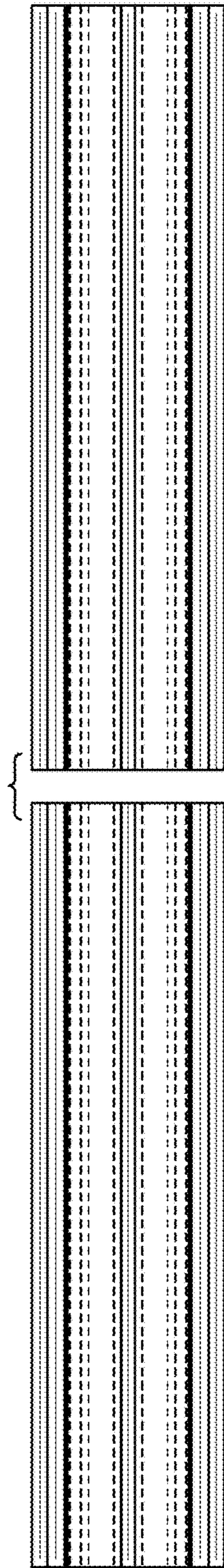


FIG. 4

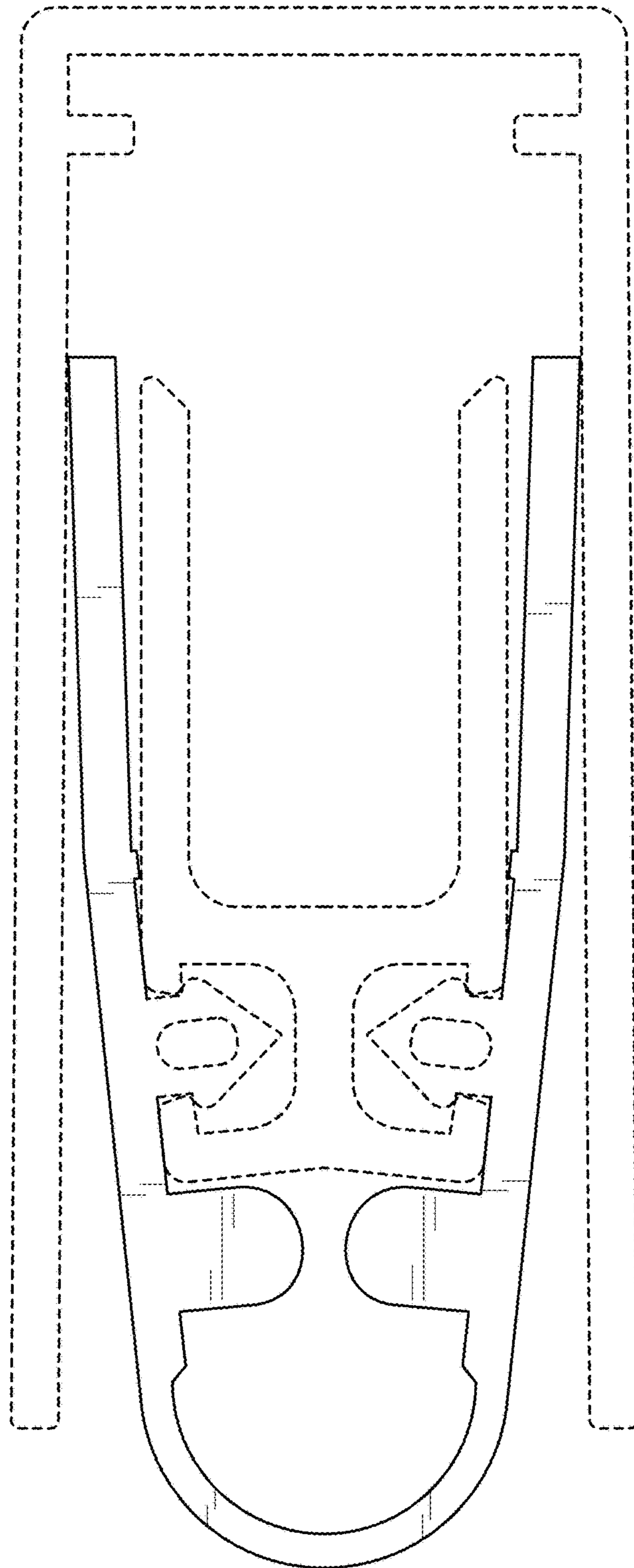


FIG. 5

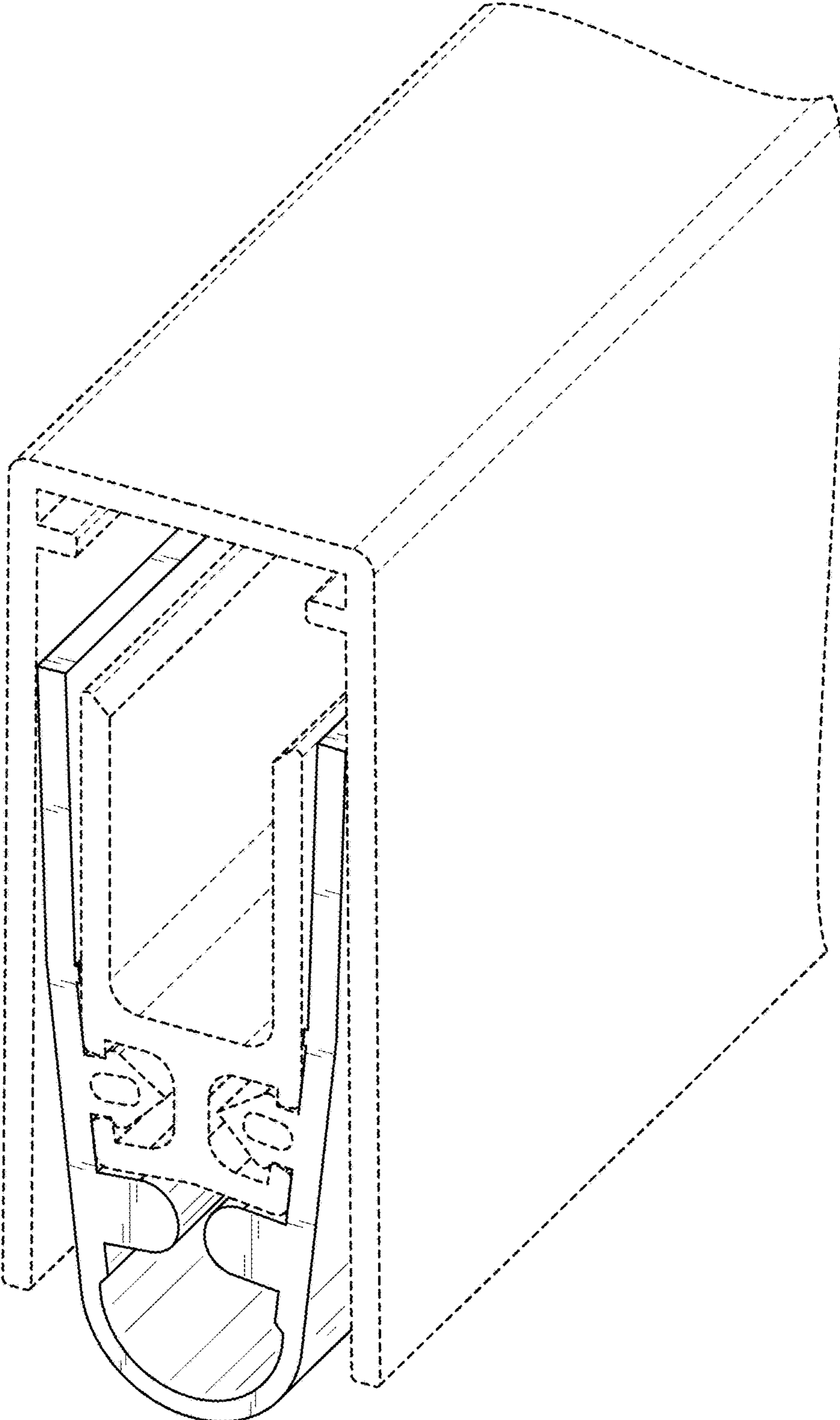


FIG. 6