



US00D815300S

(12) **United States Design Patent**  
**Lin et al.**

(10) **Patent No.:** **US D815,300 S**  
(45) **Date of Patent:** **\*\* Apr. 10, 2018**

(54) **JOINT FOR AN ABOVE GROUND POOL FRAME**

D420,145 S \* 2/2000 Mussa ..... D25/60  
D420,146 S \* 2/2000 Mussa ..... D25/60  
6,079,894 A 6/2000 Obitts  
6,272,696 B1 8/2001 Sobel et al.  
D472,648 S \* 4/2003 Linsley ..... D25/61  
6,604,250 B1 \* 8/2003 Lee ..... E04H 4/0056  
4/506

(71) Applicant: **Intex Marketing Ltd.**, Tortola (VG)

(72) Inventors: **Hua Hsiang Lin**, Fujian (CN); **Yaw Yuan Hsu**, Fujian (CN)

(Continued)

(73) Assignee: **Intex Marketing Ltd.**, Tortola (VG)

**FOREIGN PATENT DOCUMENTS**

(\*\*) Term: **15 Years**

CN 200968073 10/2007  
CN 204475914 7/2015

(21) Appl. No.: **29/586,299**

**OTHER PUBLICATIONS**

(22) Filed: **Dec. 2, 2016**

<http://hardware-store-online.com/berater/intex-ultra-frame-pool-horizontal-beam#more-infos> Retrieved Jul. 31, 2017.\*

(30) **Foreign Application Priority Data**

(Continued)

Jun. 17, 2016 (CN) ..... 2016 2 0598406  
Jun. 22, 2016 (CN) ..... 2016 3 0270359  
Sep. 6, 2016 (CN) ..... 2016 2 1039473

*Primary Examiner* — Susan Bennett Hattan  
*Assistant Examiner* — Leanne Was-Englehart  
(74) *Attorney, Agent, or Firm* — Faegre Baker Daniels LLP

(51) **LOC (11) Cl.** ..... **25-02**

(52) **U.S. Cl.**  
USPC ..... **D25/38.1**; D8/382

(58) **Field of Classification Search**  
USPC ..... D25/38.1, 41.1, 43, 44, 61, 126, 127,  
D25/131, 136, 164; D8/382  
CPC ..... E04H 4/0056; E04H 4/14; E04H 4/148;  
F21V 21/088; F21V 27/00; F21S 8/00;  
F21W 2131/401

(57) **CLAIM**

We claim the ornamental design for a joint for an above ground pool frame, as shown and described.

See application file for complete search history.

**DESCRIPTION**

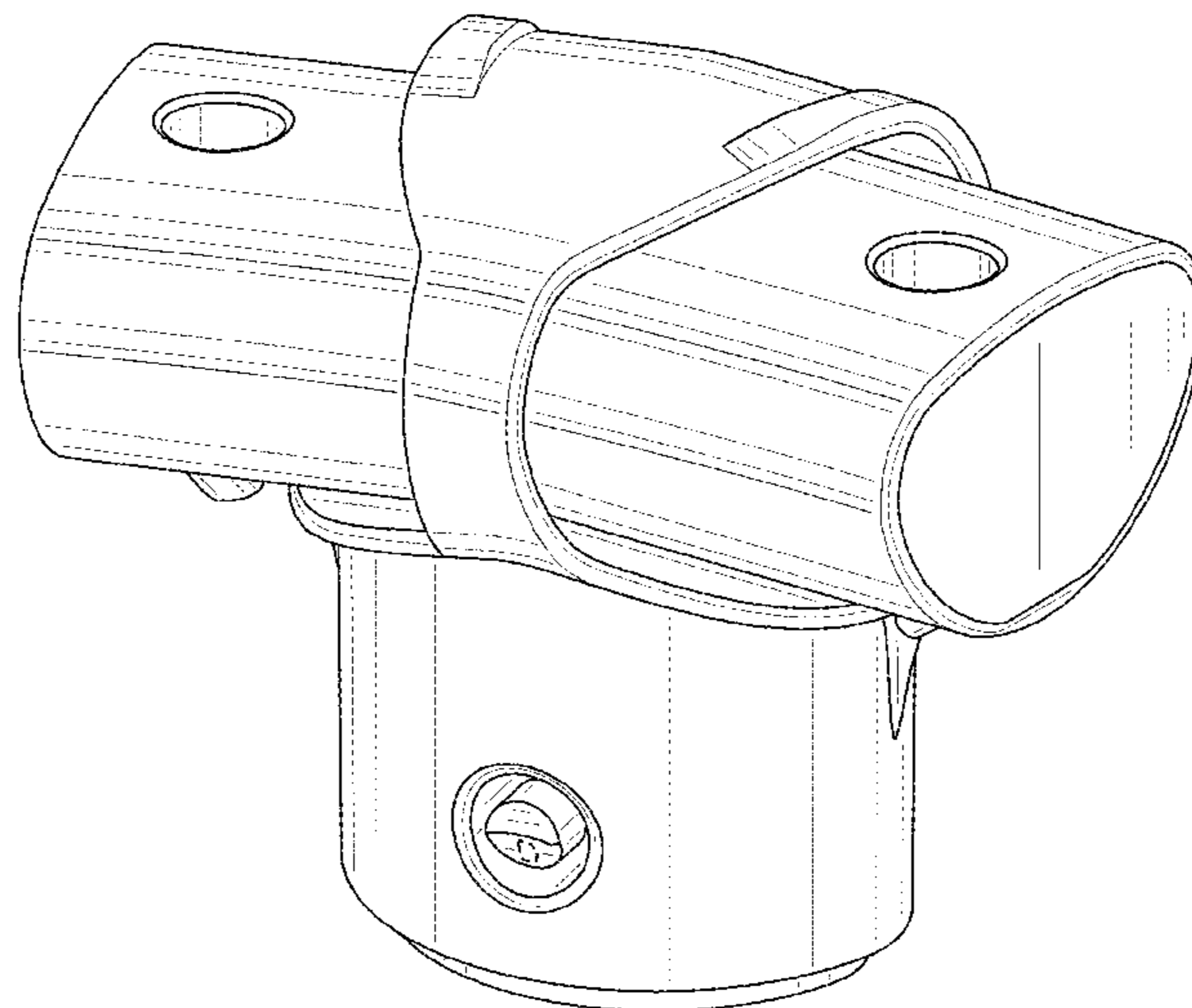
FIG. 1 is a rear perspective view of a joint for an above ground pool frame;  
FIG. 2 is a front elevational view thereof;  
FIG. 3 is a rear elevational view thereof;  
FIG. 4 is a left side elevational view thereof;  
FIG. 5 is a right side elevational view thereof;  
FIG. 6 is a top plan view thereof; and,  
FIG. 7 is a bottom plan view thereof.  
The broken lines depict portions of the joint for an above ground pool frame that form no part of the claimed design.

(56) **References Cited**

**U.S. PATENT DOCUMENTS**

D174,950 S \* 6/1955 Frishberg ..... 446/111  
3,225,362 A 12/1965 Barrera  
3,654,640 A 4/1972 Katzman  
4,323,319 A 4/1982 Adams  
5,054,135 A 10/1991 Dallaire et al.  
5,143,476 A 9/1992 Pruis  
D361,847 S \* 8/1995 Cetrulo ..... D25/61  
D417,918 S \* 12/1999 Mussa ..... D25/60

**1 Claim, 7 Drawing Sheets**



(56)

**References Cited**

U.S. PATENT DOCUMENTS

D495,434 S \* 8/2004 Cooper ..... D25/133  
6,803,007 B2 \* 10/2004 Meggiolan ..... B62K 19/16  
249/180  
D504,523 S \* 4/2005 Gimpel ..... D25/61  
D567,394 S \* 4/2008 Pena ..... D25/61  
D626,405 S \* 11/2010 Goad ..... D8/382  
D654,353 S \* 2/2012 Tabler ..... D8/382  
D707,366 S \* 6/2014 Rowland ..... D25/38.1  
D759,889 S \* 6/2016 Seehof ..... D25/41.1  
D760,425 S \* 6/2016 Seehof ..... D25/41.1  
2002/0042948 A1 4/2002 Lee  
2004/0118844 A1 6/2004 Bennett et al.  
2009/0205121 A1 \* 8/2009 Cheng ..... E04H 4/0056  
4/506  
2010/0083437 A1 \* 4/2010 Hui ..... E04H 4/14  
4/506  
2014/0325751 A1 11/2014 Hake  
2016/0201348 A1 7/2016 Liu  
2016/0222686 A1 \* 8/2016 Liu ..... E04H 4/0056

OTHER PUBLICATIONS

Intex, Ultra Frame™ Pool Owner's Manual, May 13, 2015, 17 pages.  
Intex, 2013 Above Ground Pools Catalogue, Copyright 2012, 13 pages.  
International Search Report and Written Opinion dated Aug. 24, 2017 in corresponding International Application No. PCT/US2017/037892.

\* cited by examiner

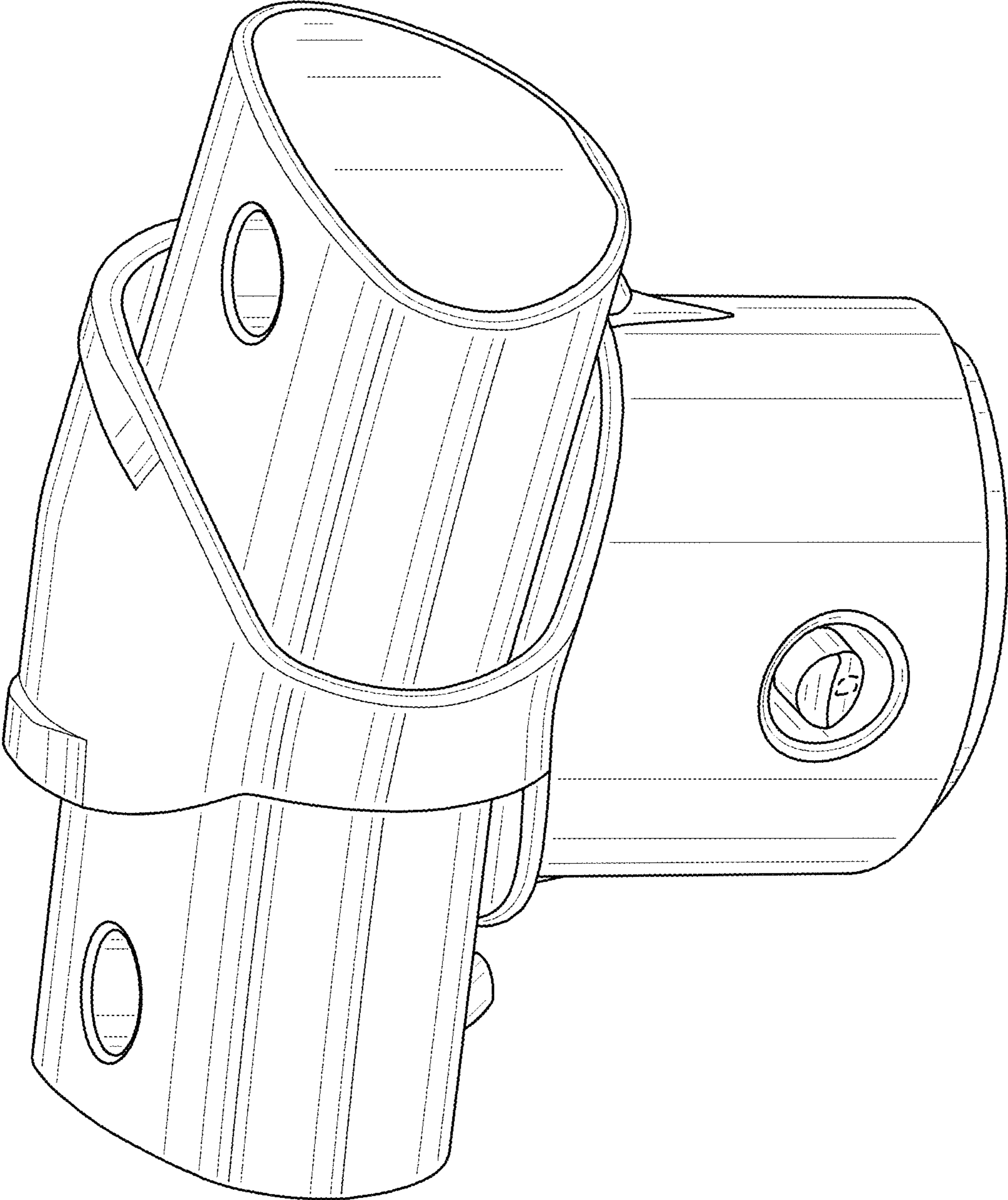


FIG. 1

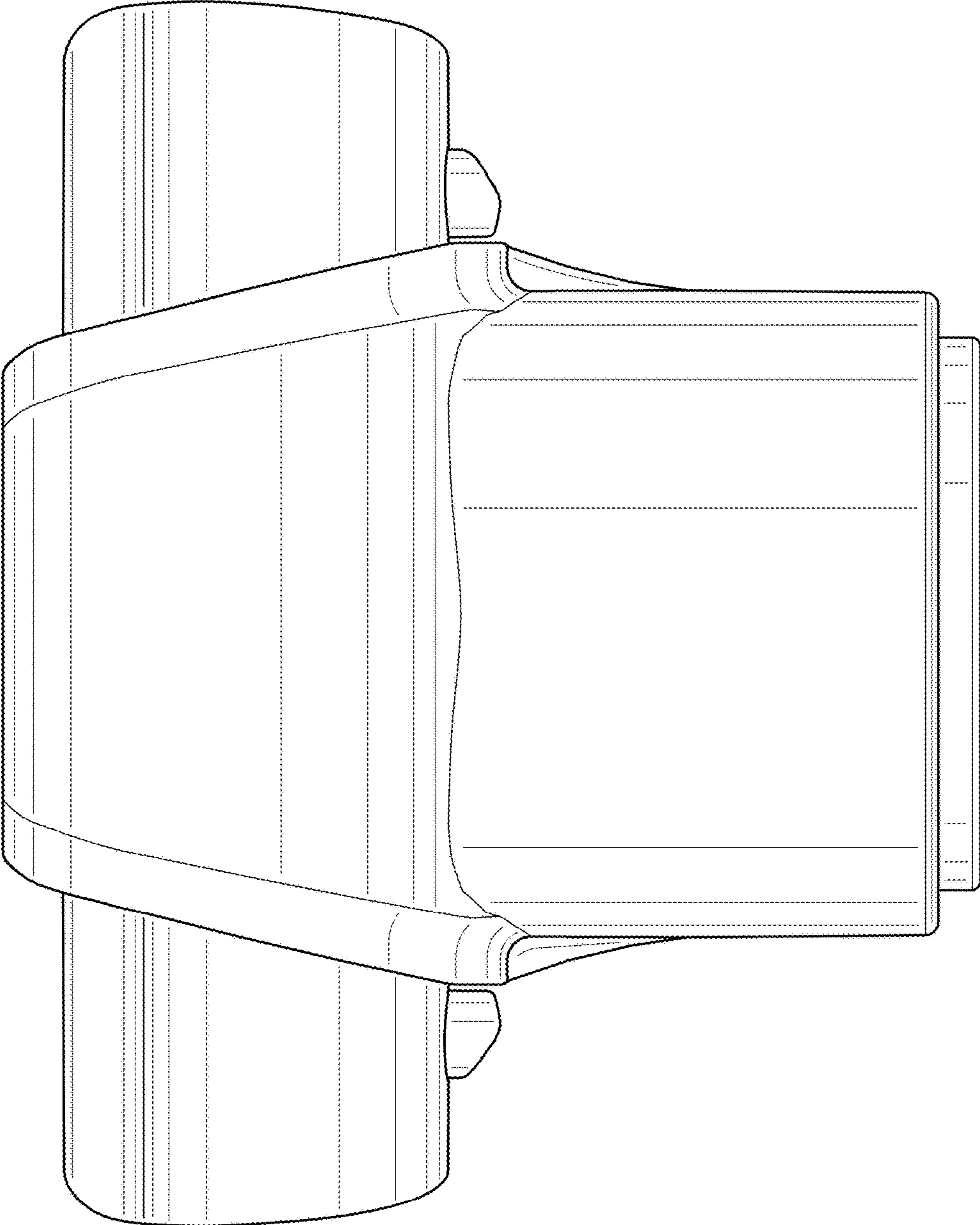


FIG. 2

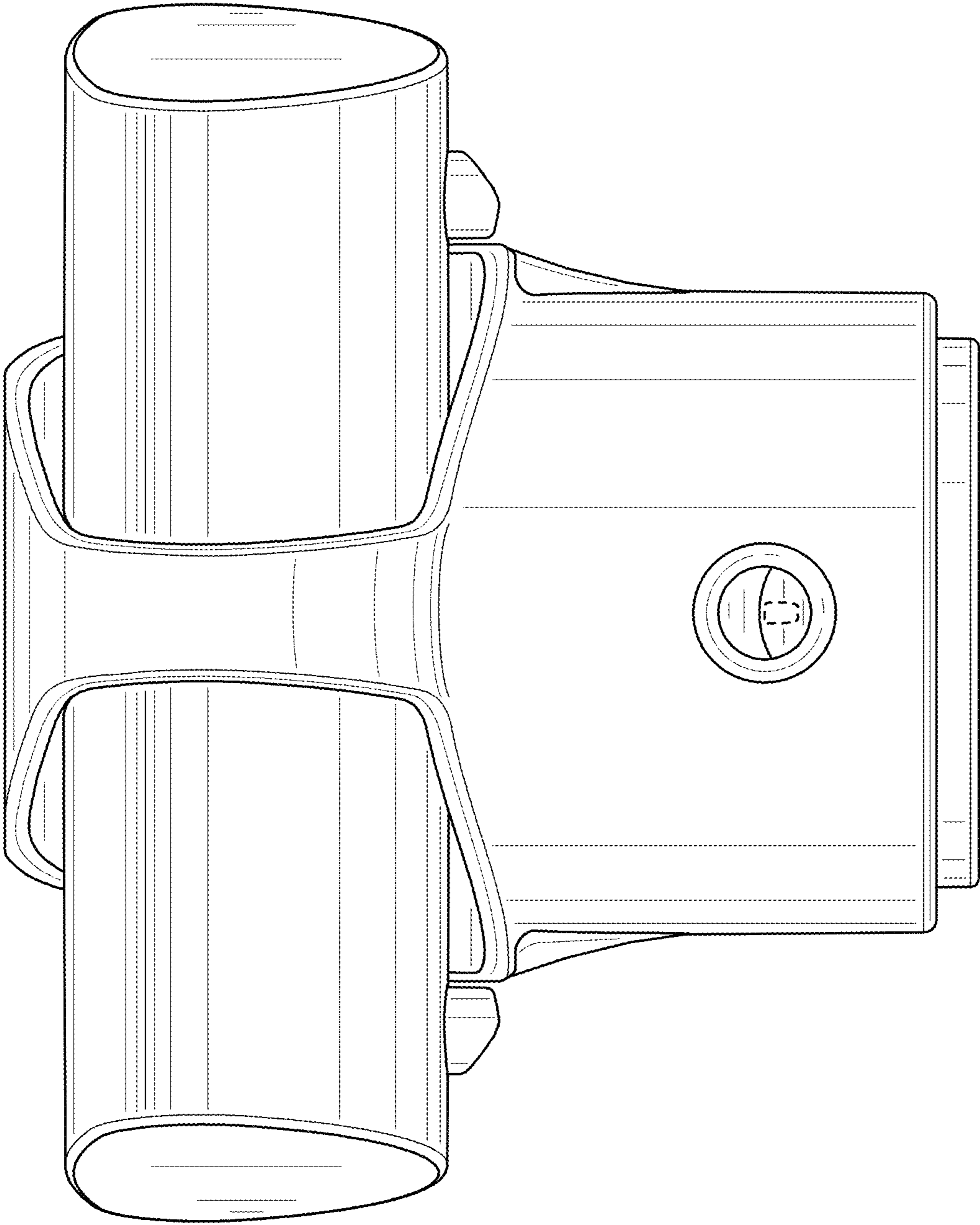


FIG. 3

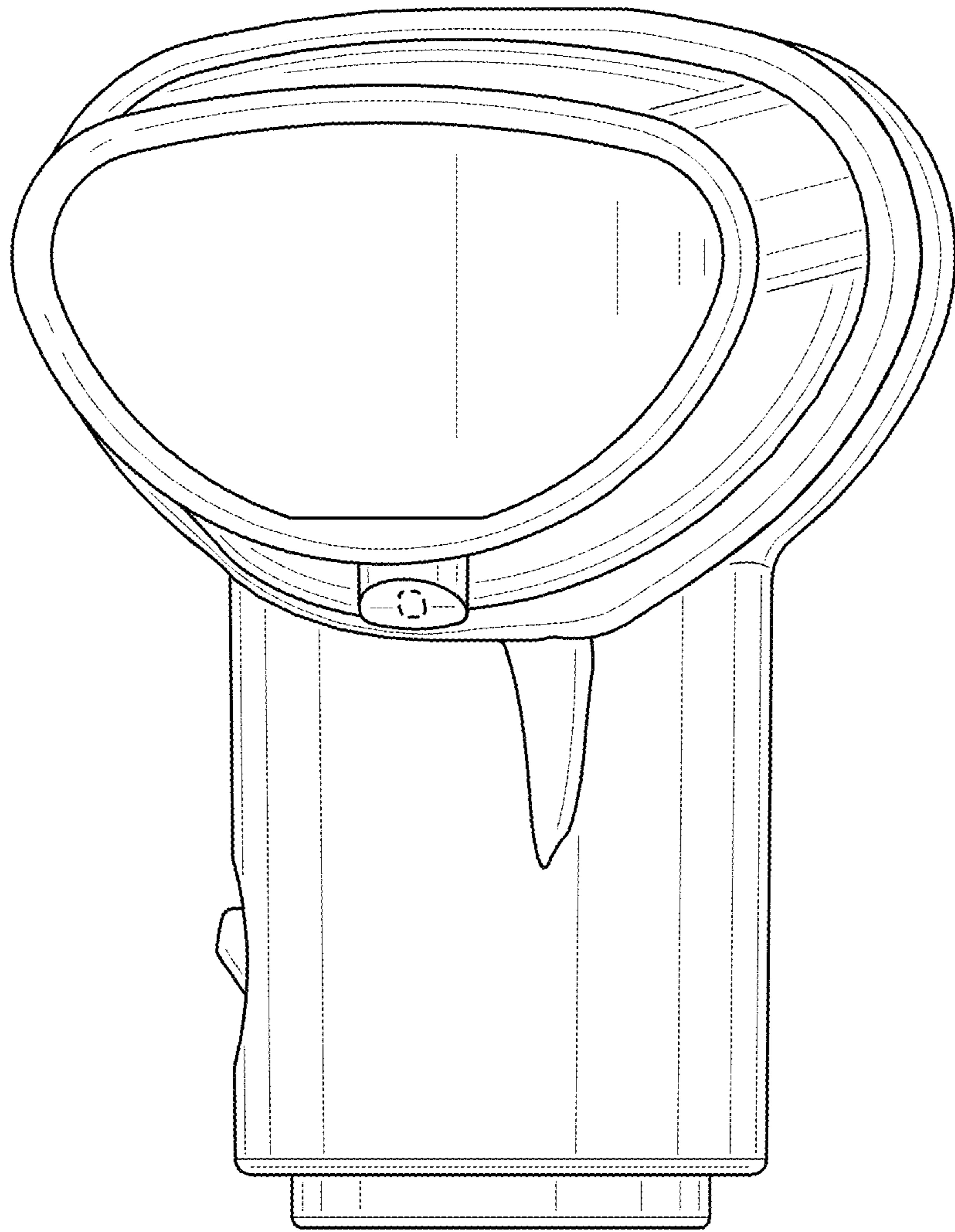


FIG. 4

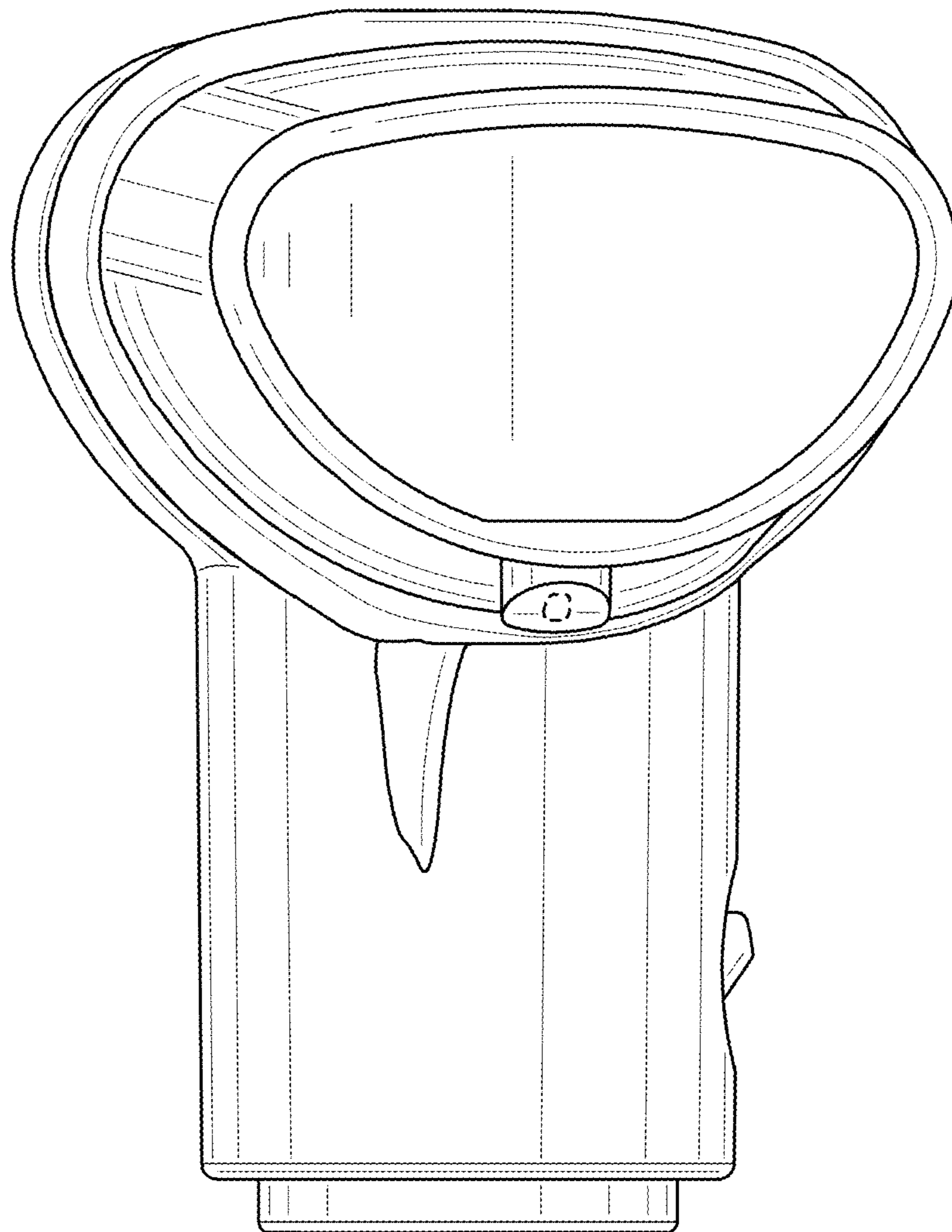


FIG. 5

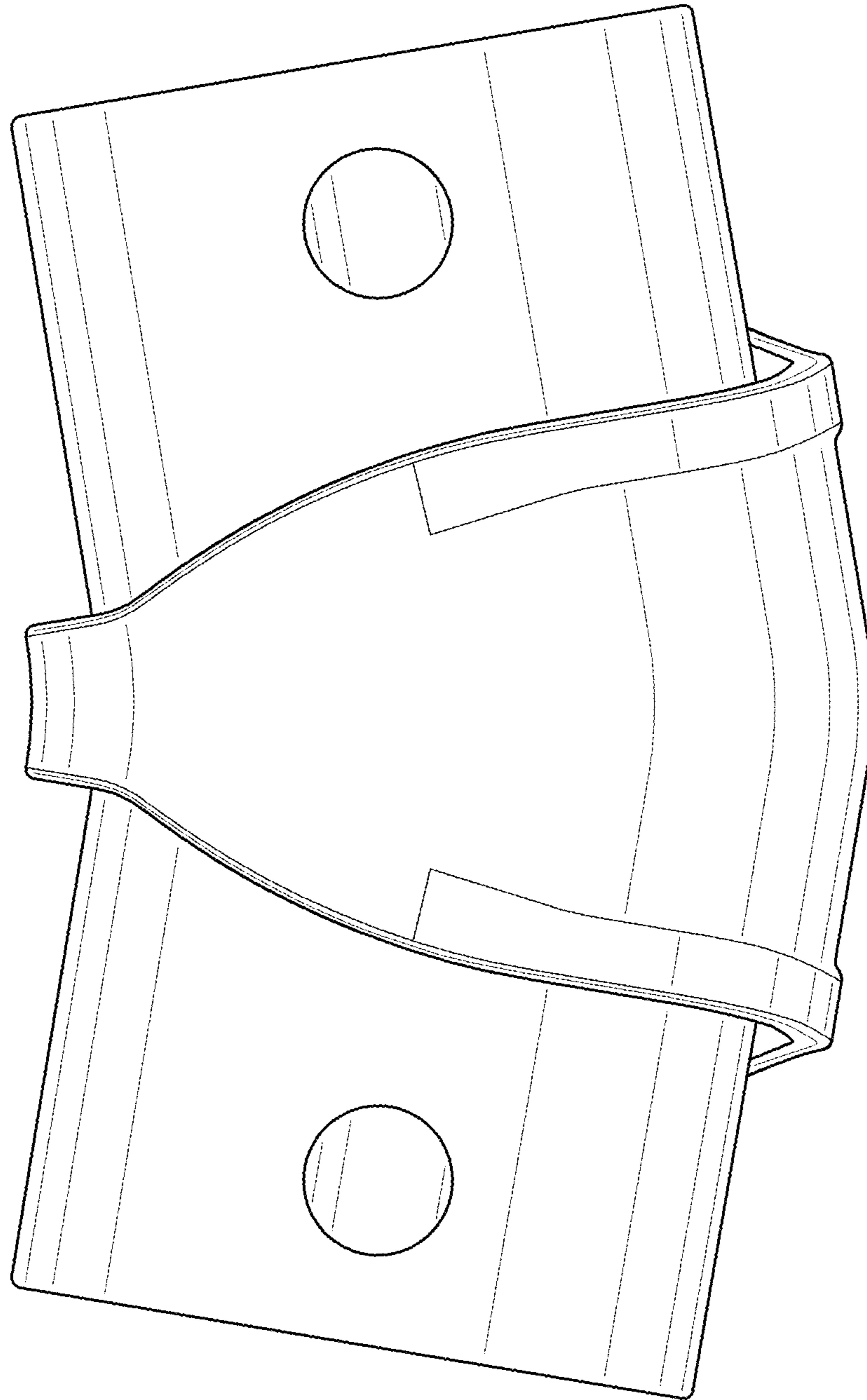


FIG. 6



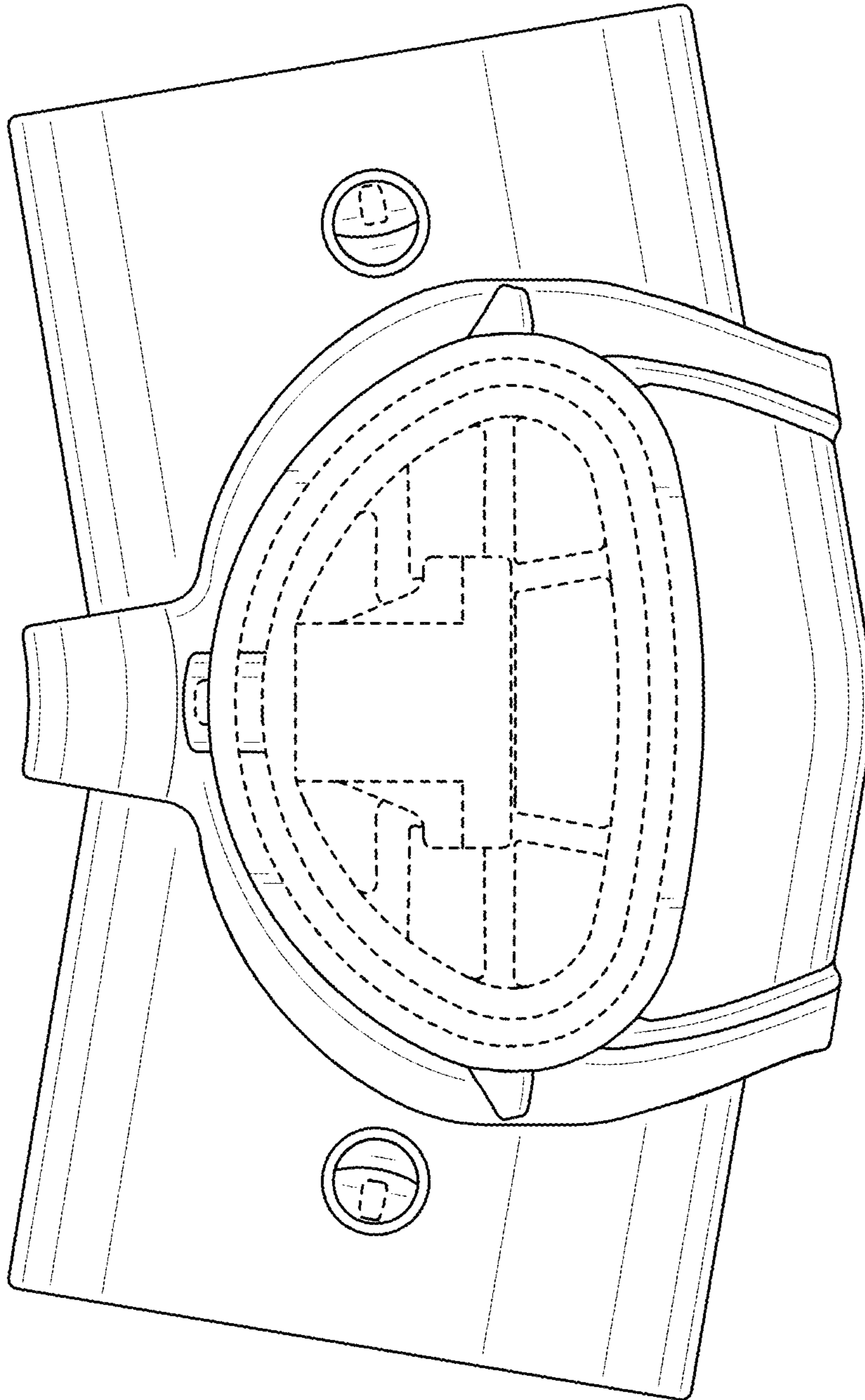


FIG. 7