



US00D815299S

(12) **United States Design Patent** (10) **Patent No.:** **US D815,299 S**
Luoma, II (45) **Date of Patent:** **** Apr. 10, 2018**

(54) **REAGENT KIT WITH MULTIPLE BOTTLES** 4,515,753 A * 5/1985 Smith B01L 3/0293
206/219
(71) Applicant: **Abbott Laboratories**, Abbot Park, IL 4,557,600 A 12/1985 Klose et al.
(US) 4,684,614 A 8/1987 Krovak et al.
4,705,668 A 11/1987 Kaltenbach et al.
(72) Inventor: **Robert Paul Luoma, II**, Colleyville, D297,166 S * 8/1988 Hollar D24/226
TX (US) (Continued)

(73) Assignee: **ABBOTT LABORATORIES**, Abbott Park, IL (US)

(**) Term: **15 Years**

(21) Appl. No.: **29/531,426**

(22) Filed: **Jun. 25, 2015**

Related U.S. Application Data

(63) Continuation of application No. 13/801,154, filed on Mar. 13, 2013.

(51) **LOC (11) Cl.** **24-02**

(52) **U.S. Cl.**
USPC **D24/224**

(58) **Field of Classification Search**
USPC D24/216, 223-232, 121; 422/297, 300, 422/500, 547-566, 540, 63, 400, 68.1; 211/85.13, 83; 217/58; D3/203.1-203.8, D3/315; 206/563, 219, 443; 700/218; D9/423, 424, 455, 517; 215/235; 220/23.83
CPC B01L 3/50825; B01L 9/00; B01L 9/06; B01L 3/0234; B01F 13/0016; B01F 11/0022; B01F 13/002; B01F 5/0647; B01J 19/0046; B65D 47/00; G01N 35/00
See application file for complete search history.

(56) **References Cited**

U.S. PATENT DOCUMENTS

423,362 A 3/1890 Wells
3,994,594 A 11/1976 Sandroek et al.
D273,987 S * 5/1984 Holen D9/423

FOREIGN PATENT DOCUMENTS

CA 2556772 9/2005
CN 1183057 5/1998
(Continued)

OTHER PUBLICATIONS

Advisory Action, issued by the United States Patent and Trademark Office in connection with U.S. Appl. No. 13/801,451, dated Dec. 7, 2015, 11 pages.

(Continued)

Primary Examiner — Ian Simmons
Assistant Examiner — Mark Cavanna
(74) *Attorney, Agent, or Firm* — Hanley, Flight & Zimmerman, LLC

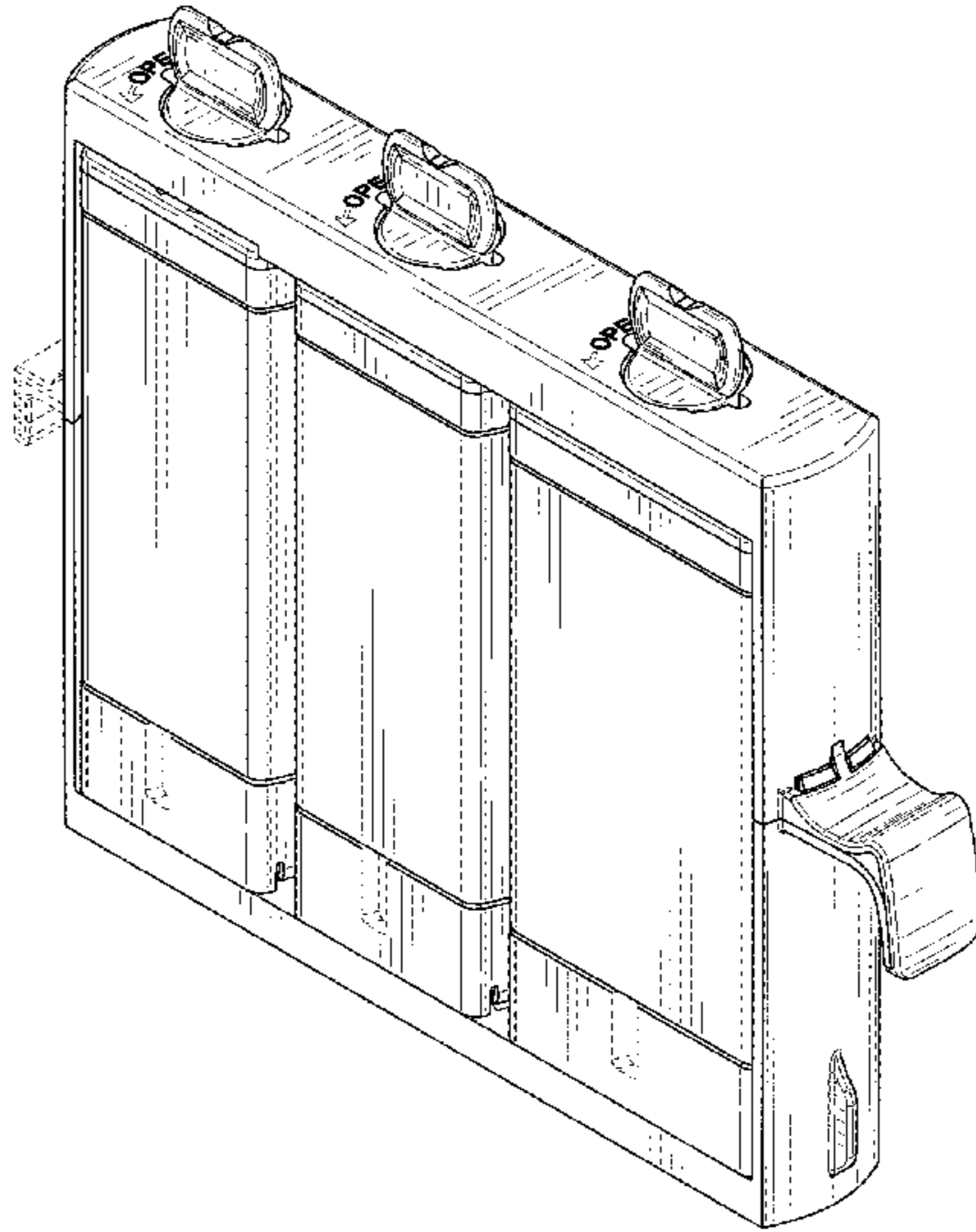
(57) **CLAIM**

The ornamental design for a “reagent kit with multiple bottles,” as shown and described.

DESCRIPTION

FIG. 1 is a front right perspective view of a reagent kit with multiple bottles.
FIG. 2 is a front view of the reagent kit of FIG. 1.
FIG. 3 is a right side view of the reagent kit of FIG. 1.
FIG. 4 is a left side view of the reagent kit of FIG. 1.
FIG. 5 is a top view of the reagent kit of FIG. 1; and,
FIG. 6 is a bottom view of the reagent kit of FIG. 1.
The features shown in broken lines form no part of the claimed design.

1 Claim, 3 Drawing Sheets



(56)

References Cited

U.S. PATENT DOCUMENTS

4,849,177 A * 7/1989 Jordan B01L 3/508
422/562

4,883,763 A 11/1989 Holen et al.

5,005,721 A * 4/1991 Jordan B01L 3/50853
220/23.83

5,128,104 A 7/1992 Murphy et al.

5,324,481 A * 6/1994 Dunn B01L 9/06
422/547

D355,260 S * 2/1995 Tomasso D9/517

5,417,922 A * 5/1995 Markin B01L 9/06
422/562

D365,153 S * 12/1995 Robertson, Jr. D24/224

5,578,272 A * 11/1996 Koch B01L 3/50825
422/566

5,632,399 A 5/1997 Palmieri et al.

5,758,786 A 6/1998 John

5,788,928 A 8/1998 Carey et al.

5,811,296 A 9/1998 Chemelli et al.

5,830,411 A 11/1998 Martinell Gisper-Sauch

D404,831 S * 1/1999 Yamazaki D24/224

D411,014 S * 6/1999 Berger D24/223

5,968,453 A 10/1999 Shugart

6,066,300 A * 5/2000 Carey B01F 13/0016
206/443

D433,149 S * 10/2000 Fassbind D24/121

6,149,872 A 11/2000 Mack et al.

6,190,617 B1 * 2/2001 Clark B01F 11/0022
422/566

6,190,619 B1 * 2/2001 Kilcoin B01J 19/0046
422/540

6,299,567 B1 10/2001 Forrest et al.

6,319,719 B1 11/2001 Bhullar et al.

6,375,030 B1 4/2002 Spickelmire

6,386,749 B1 5/2002 Watts et al.

6,432,359 B1 8/2002 Carey et al.

6,458,526 B1 10/2002 Schembri et al.

6,509,193 B1 1/2003 Tajima

6,511,634 B1 * 1/2003 Bradshaw B01F 13/002
422/547

6,517,783 B2 * 2/2003 Horner B01L 9/06
422/63

6,537,505 B1 3/2003 LaBudde et al.

D482,454 S * 11/2003 Gebrian D24/226

6,866,820 B1 * 3/2005 Otto B65D 47/00
215/235

D531,736 S 11/2006 Gomm et al.

D532,524 S 11/2006 Gomm et al.

D533,947 S 12/2006 Gomm et al.

D534,280 S 12/2006 Gomm et al.

7,182,912 B2 2/2007 Carey et al.

7,238,521 B2 7/2007 Hahn et al.

7,458,483 B2 12/2008 Luoma, II

7,485,118 B2 2/2009 Blankenstein et al.

7,615,370 B2 11/2009 Streit et al.

7,628,954 B2 12/2009 Gomm et al.

7,731,414 B2 6/2010 Vincent et al.

7,736,907 B2 6/2010 Blankenstein et al.

D620,603 S * 7/2010 Talmer D24/224

7,794,656 B2 9/2010 Liang et al.

D630,765 S * 1/2011 Winkenbach D24/224

D632,402 S * 2/2011 Sattler D24/224

7,897,379 B2 3/2011 Kenney et al.

D637,731 S * 5/2011 Sattler D24/224

7,951,344 B2 5/2011 Kikuchi et al.

7,964,140 B2 6/2011 Watari

D645,973 S * 9/2011 Hoenes D24/224

8,017,094 B2 9/2011 Meyer et al.

8,133,721 B2 3/2012 Yang et al.

8,187,558 B2 5/2012 Jacobs et al.

D665,095 S * 8/2012 Wilson D24/227

D666,736 S * 9/2012 Kobayashi D24/224

D672,881 S * 12/2012 Kraihanzel D24/224

8,535,624 B2 9/2013 Luoma, II

D696,419 S * 12/2013 Fusellier D24/230

2002/0169518 A1 * 11/2002 Luoma, II B01L 9/00
700/218

2003/0044323 A1 3/2003 Diamond et al.

2003/0129766 A1 7/2003 Kawamura et al.

2004/0005714 A1 * 1/2004 Safar B01L 3/0234
422/63

2004/0134750 A1 7/2004 Luoma, II

2005/0106756 A1 5/2005 Blankenstein et al.

2006/0087911 A1 4/2006 Herz et al.

2006/0263248 A1 11/2006 Gomm et al.

2006/0286004 A1 12/2006 Jacobs et al.

2007/0010019 A1 1/2007 Luoma, II

2007/0166193 A1 * 7/2007 Veen G01N 35/00
422/400

2008/0056948 A1 * 3/2008 Dale B01F 5/0647
422/68.1

2008/0064090 A1 3/2008 Whittlinger

2008/0226513 A1 9/2008 Morbidelli et al.

2008/0317632 A1 12/2008 Shimasaki et al.

2009/0004058 A1 1/2009 Liang et al.

2009/0215159 A1 8/2009 Kirby

2009/0325309 A1 12/2009 Favuzzi et al.

2010/0092343 A1 4/2010 Németh

2010/0111765 A1 5/2010 Gomm et al.

2010/0190265 A1 7/2010 Dufva et al.

2010/0276445 A1 11/2010 Jacobs et al.

2012/0195808 A1 8/2012 Arras et al.

2012/0218854 A1 8/2012 Behringer et al.

2013/0059376 A1 3/2013 Justice et al.

2014/0038307 A1 2/2014 Daub et al.

FOREIGN PATENT DOCUMENTS

CN 1726288 1/2006

CN 101439274 5/2009

EP 435481 7/1991

EP 831330 3/1998

EP 1855114 11/2007

EP 1687080 6/2008

EP 1733794 9/2010

EP 2255880 12/2010

GB 1307086 2/1973

JP S527758 3/1977

JP S58134773 9/1983

JP H06253815 9/1994

JP H10228689 8/1998

JP 2000009726 1/2000

JP 2005017176 6/2003

JP 2003194828 7/2003

JP 2004061160 2/2004

JP 2005181338 7/2005

JP 2006125897 5/2006

JP 2007309740 11/2007

JP 2008026221 2/2008

JP 4268212 5/2009

JP 2009276252 11/2009

JP 2009544959 12/2009

WO 9634681 11/1996

WO 3020427 3/2003

WO 2006119361 11/2006

WO 2007125642 11/2007

WO 2008030961 3/2008

WO 2008058979 5/2008

WO 2009131705 10/2009

WO 2011091233 7/2011

OTHER PUBLICATIONS

Isaacson et al., "Hydrodynamic damping due to baffles in a rectangular tank," Canadian Journal of Civic Engineering, Jul. 21, 2001, 9 pages.

Invitation to Pay Additional Fees and, Where Applicable, Protest Fee and Communication Relating to the Results of the Partial International Search, issued by the International Searching Authority in connection with International patent application No. PCT/US2013/078036, dated Apr. 23, 2014, 7 pages.

(56)

References Cited

OTHER PUBLICATIONS

International Search Report and Written Opinion, issued by the International Searching Authority in connection with International patent application No. PCT/US2013/078036 dated Jun. 25, 2014, 17 pages.

International Search Report and Written Opinion, issued by the International Searching Authority in connection with International patent application No. PCT/US2013/078034 dated Sep. 12, 2014, 21 pages.

Invitation to Pay Additional Fees and, Where Applicable, Protest Fee and Communication Relating to the Results of the Partial International Search, issued by the International Searching Authority in connection with International patent application No. PCT/US2013/078034, dated Jun. 3, 2014, 7 pages.

International Preliminary Report on Patentability, issued by the International Searching Authority in connection with International patent application No. PCT/US2013/078034 dated Sep. 24, 2015, 15 pages.

Restriction and/or Election Requirement, issued by the United States Patent and Trademark Office in connection with U.S. Appl. No. 13/801,154, dated Jul. 14, 2015, 7 pages.

Office Action, issued by the United States Patent and Trademark Office in connection with U.S. Appl. No. 13/801,154, dated Oct. 5, 2015, 6 pages.

Restriction and/or Election Requirement, issued by the United States Patent and Trademark Office in connection with U.S. Appl. No. 13/801,451, dated Jul. 16, 2014, 6 pages.

Office Action, issued by the United States Patent and Trademark Office in connection with U.S. Appl. No. 13/801,451, dated Feb. 18, 2015, 13 pages.

Final Office Action, issued by the United States Patent and Trademark Office in connection with U.S. Appl. No. 13/801,451, dated Aug. 28, 2015, 16 pages.

Restriction and/or Election Requirement, issued by the United States Patent and Trademark Office in connection with U.S. Appl. No. 29/531,434, dated May 10, 2016, 8 pages.

Notification of Grant of Patent Right for a Design, issued by the State Intellectual Property Office of the P.R. China, in connection with Chinese Patent Application No. 201630099345.7, dated May 19, 2016, 5 pages.

Notification of Grant of Patent Right for a Design issued by the State Intellectual Property Office of the P.R. China, in connection with Chinese Patent Application No. 201630099342.3, dated May 19, 2016, 5 pages.

First Office Action and Search Report issued by the State Intellectual Property Office of the P.R. China, in connection with Chinese Patent Application No. 201380076521.9, dated Jul. 13, 2016, 22 pages.

Restriction and/or Election Requirement, issued by the United States Patent and Trademark Office in connection with U.S. Appl. No. 29/531,434, dated Sep. 6, 2016, 9 pages.

Office Action, issued by the United States Patent and Trademark Office in connection with U.S. Appl. No. 13/801,451, dated Aug. 12, 2016, 20 pages.

United States Patent and Trademark Office, "Final Office Action," issued in connection with U.S. Appl. No. 13/801,451, dated Feb. 24, 2017, 44 pages.

United States Patent and Trademark Office, "Non-Final Office Action," issued in connection with U.S. Appl. No. 15/347,556, dated Mar. 7, 2017, 7 pages.

State Intellectual Property Office of China, "Second Office Action," issued in connection with Chinese Patent Application No. 201380076521.9, dated Feb. 3, 2017, 23 pages.

United States Patent and Trademark Office, "Notice of Non-Compliant Amendment," issued in connection with U.S. Appl. No. 29/531,434, dated Jun. 29, 2017, 15 pages.

European Patent Office, "Communication pursuant to Article 94(3) EPC," issued in connection with European Patent No. 13 821 411.9, dated Jun. 7, 2017, 8 pages.

United States Patent and Trademark Office, "Non-Final Office Action," issued in connection with U.S. Appl. No. 13/801,451, dated Jun. 15, 2017, 27 pages.

United States Patent and Trademark Office, "Notice of Allowance," issued in connection with U.S. Appl. No. 15/347,556, dated Jun. 14, 2017, 22 pages.

United States Patent and Trademark Office, "Ex parte Quayle Action," issued in connection with U.S. Appl. No. 29/531,434, dated Jan. 26, 2017, 15 pages.

Japanese Patent Office, "Notice of Rejection," issued in connection with Japanese Patent Application No. 2016-500148, dated Sep. 6, 2016, 11 pages.

Japanese Patent Office, "Notice of Rejection," issued in connection with Japanese Patent Application No. 2016-500147, dated Oct. 4, 2016, 8 pages.

State Intellectual Property Office of China, "First Office Action," issued in connection with Chinese Patent Application No. 201380076523.8, dated Oct. 18, 2016, 8 pages.

* cited by examiner

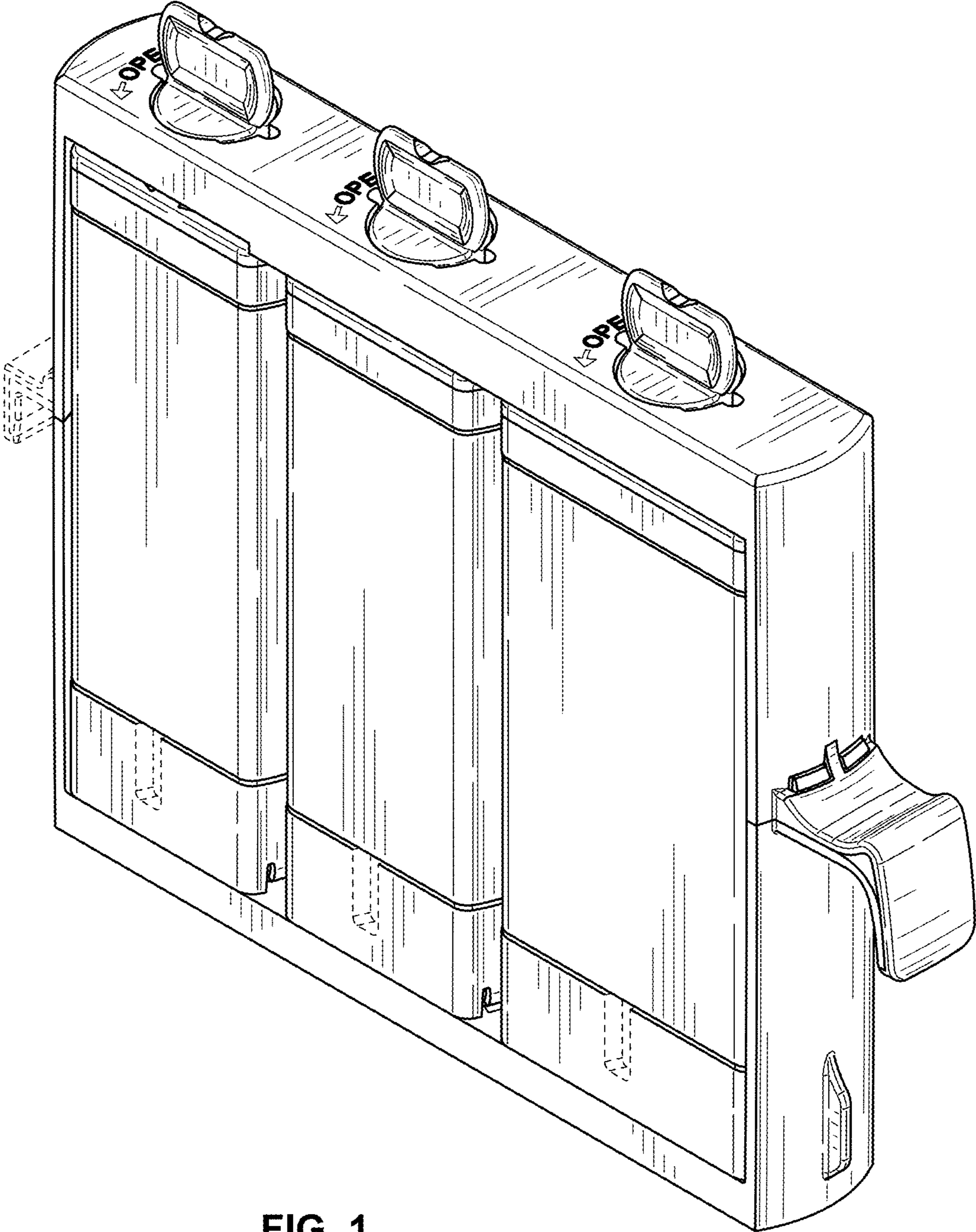


FIG. 1

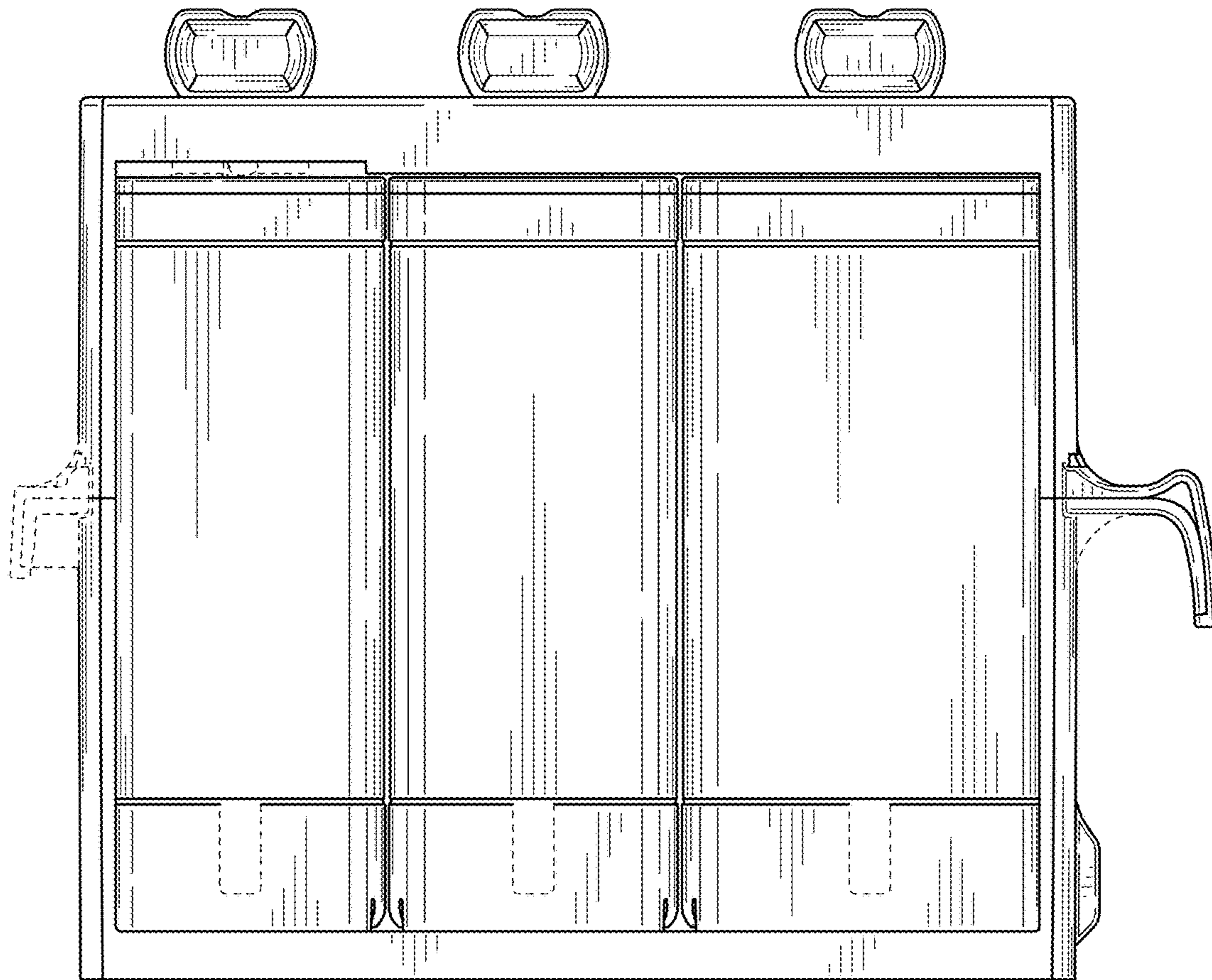


FIG. 2

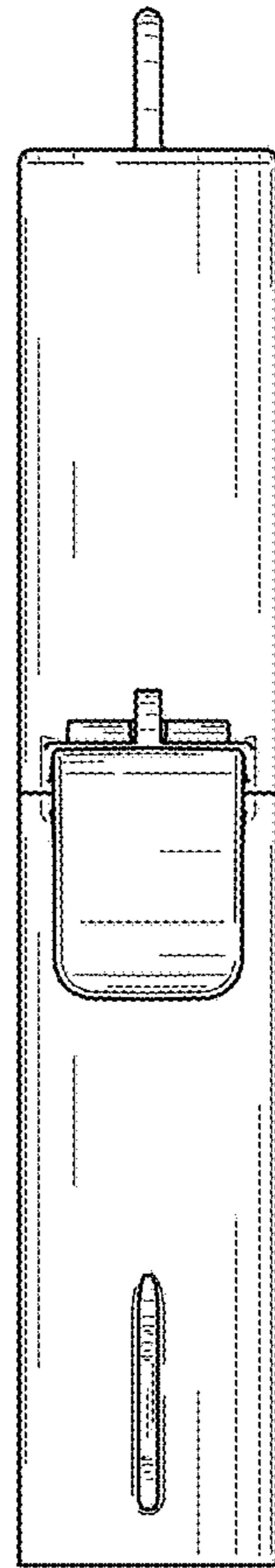


FIG. 3

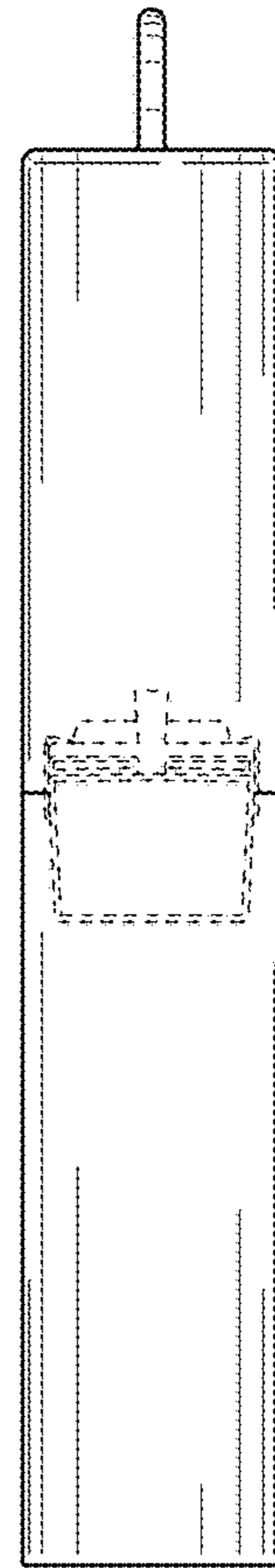


FIG. 4

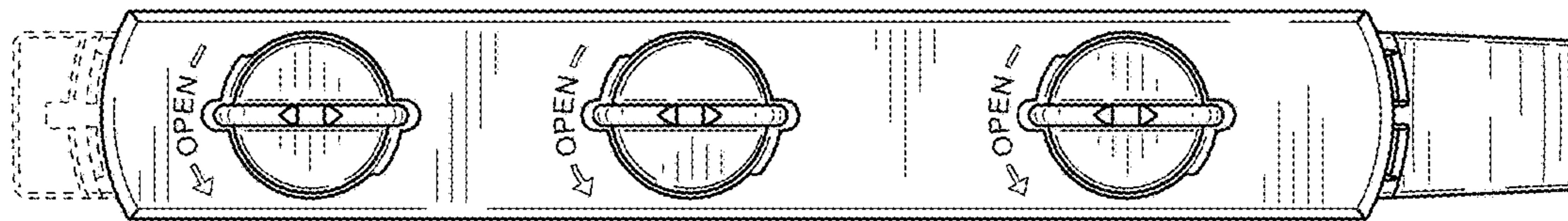


FIG. 5

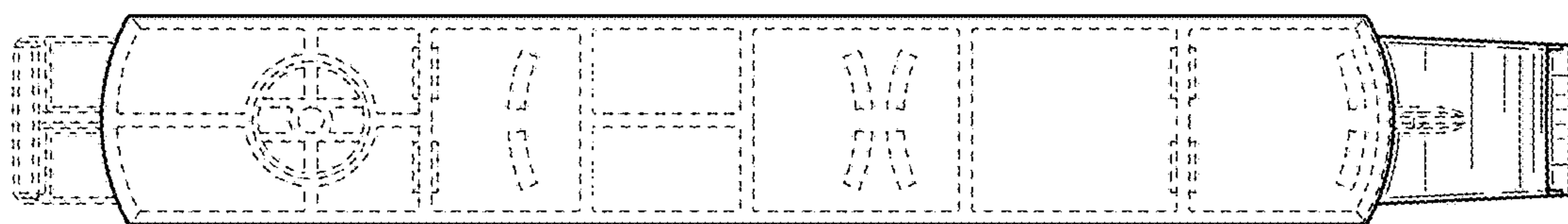


FIG. 6